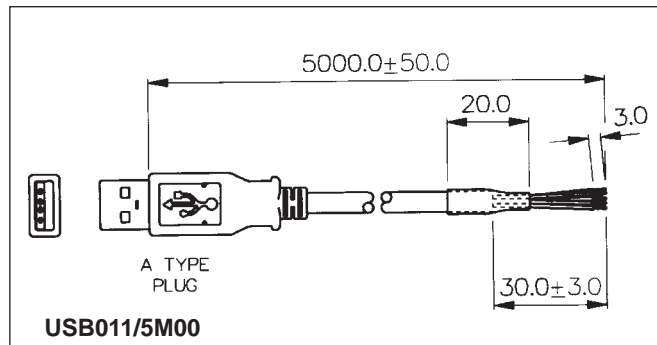
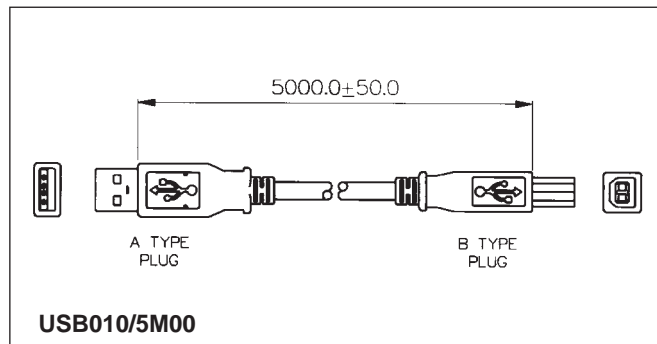
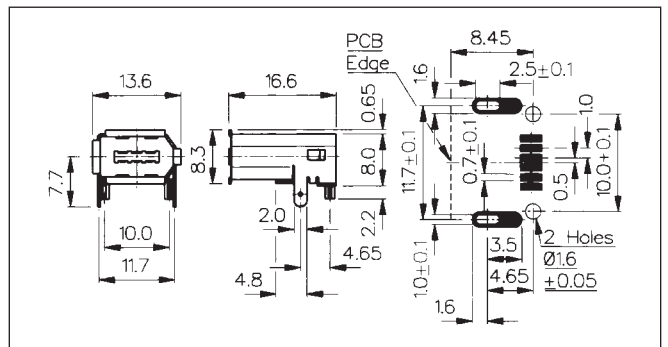
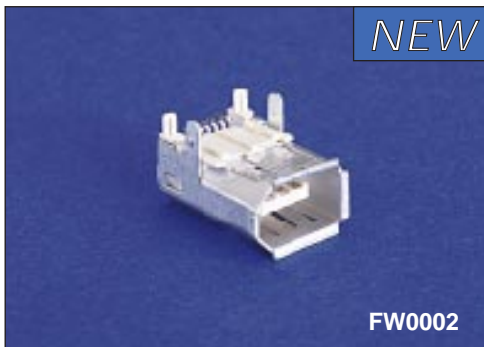
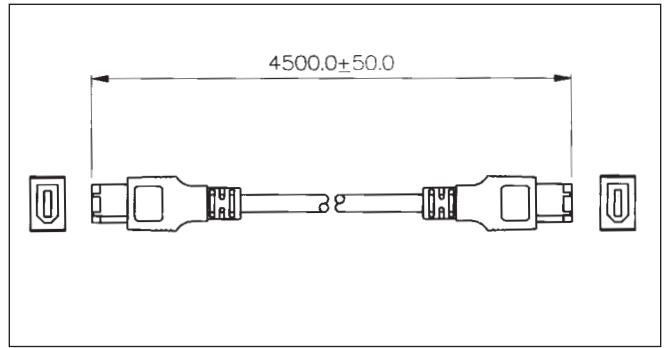


Data	List No.	USB001	USB002	USB003
Series Type:		A	B	A
Single/Stacked:		Single	Single	Stacked
Terminations:		PC Spills	PC Spills	PC Spills
Insulation Resistance:		>1000MΩ	>1000MΩ	>1000MΩ
Contact Resistance:		<30mΩ	<30mΩ	<30mΩ
Operating Temp. Range:		0°C to 40°C	0°C to 40°C	0°C to 40°C
Mouldings:		Glass Filled PBT Flammability Rating UL94V-O	Glass Filled PBT Flammability Rating UL94V-O	Glass Filled PBT Flammability Rating UL94V-O
Contacts:		Gold Flashed	Gold Flashed	Gold Flashed
Terminals:		Phosphor Bronze	Phosphor Bronze	Phosphor Bronze
Withdrawal Force:		10 Newtons Maximum	10 Newtons Maximum	10 Newtons Maximum
Mating Force:		10 Newtons Maximum	10 Newtons Maximum	10 Newtons Maximum
Mates with:		USB010/5M00, USB011/5M00	USB010/5M00	USB010/5M00, USB011/5M00
Specifications:		USB Specification Revision 1.0		



Data \ List No.	USB010/5M00	USB011/5M00	
Series Type:	A to B	A to Pigtail	
Max Operating Voltage:	30 Vac (rms)	30 Vac (rms)	
Max Operating Circuit:	1A	1A	
Plug Insulation Resistance:	>1000MΩ	>1000MΩ	
Contact Resistance:	<30mΩ	<30mΩ	
Operating Temp. Range:	0°C to 40°C	0°C to 40°C	
Material:	Cable: 80°C PVC	Cable: 80°C PVC	
Contacts:	Gold Flashed	Gold Flashed	
Mates with:	USB001, USB002, USB003	USB001, USB003	
Specifications:	USB Specification Revision 1.0		



Data	List No.	FW0001/4M50	FW0002	
Series Type:		Firewire Cord-set	Firewire Socket (Surface Mount)	
Max Operating Voltage:		30 Vac (rms)	30 Vac (rms)	
Max Operating Circuit:		1A	1A	
Plug Insulation Resistance:		>100MΩ	>100MΩ	
Contact Resistance:		<30mΩ	<30mΩ	
Operating Temp. Range:		0°C to 40°C	0°C to 40°C	
Material:		Cable: 80°C PVC	Shell: Tin lead plated Plastic Housing: UL94V-0	
Contacts:		Gold Flashed	Gold Flashed	
Terminals:		-	Tin-lead plated	
Mates with:		FW0002	FW0001/4M50	
Specifications:		IEEE 1394 Specification	IEEE 1394 Specification	