

Flache Sicherheitsschalter

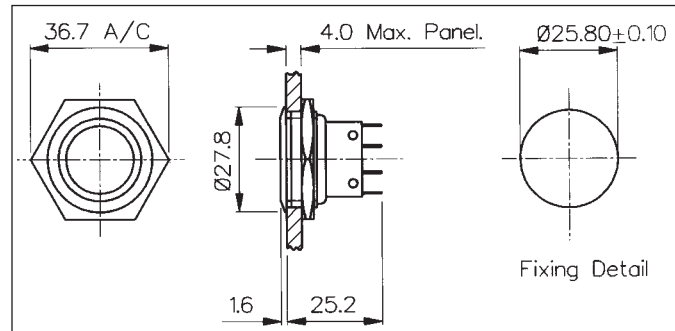
Issue date: 03.99

Seite 1 von 3



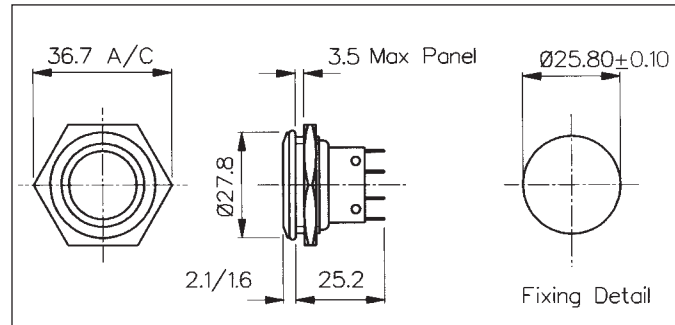
MP0027

- Low profile
- 28mm dia
- Microswitch



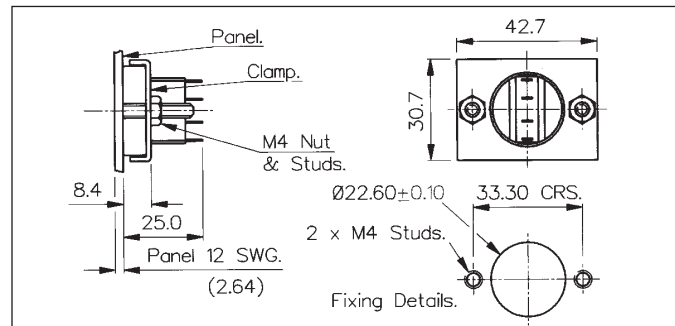
MP0038

- Low profile
- 28mm dia
- Microswitch
- Front panel sealed to IP66



MP0025

- Flush with panel
- 22mm dia
- Rear panel fixing
- Solder tags



Data \ Part No.	MP0027	MP0038	MP0025
Terminations:	Solder tags.	Solder tags.	Solder tags.
Switching:	S.P.C.O. Momentary Action (Microswitch).	S.P.C.O. Momentary Action (Microswitch).	S.P.C.O. Momentary Action (Microswitch).
Max. Rating:	5A, 250V. a.c.	5A, 250V. a.c.	5A, 250V. a.c.
Insulation Resistance:	>10 ³ MΩ.	>10 ³ MΩ.	>10 ³ MΩ.
Contact Resistance:	<10mΩ.	<10mΩ.	<10mΩ.
Dielectric Strength:	>2kV. a.c.	>2kV. a.c.	>2kV. a.c.
Operating Temp. Range:	-20°C to +70°C.	-20°C to +70°C.	-20°C to +70°C.
Sealing (Front of panel only):		Protection Classification: IP66 BS5490: 1977. (Microswitch not sealed).	
Materials:	Mouldings: Glass Filled Nylon. Tags/ Terminations: Brass, Tin Plated. Switch Body & Button: Stainless Steel.	Glass Filled Nylon. Brass, Tin Plated. Stainless Steel.	Glass Filled Nylon. Brass, Tin Plated. Stainless Steel.
Contacts:	Fine Silver.	Fine Silver.	Fine Silver.
Variants:	Non-Rotating Button, details on request.	Non-Rotating Button, details on request.	Non-Rotating Button, details on request.

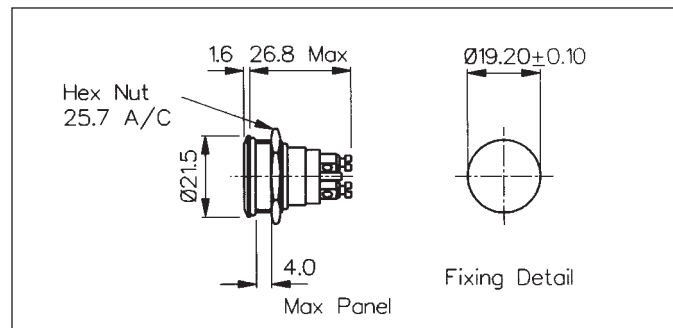
Flache Sicherheitsschalter

Issue date: 03.99

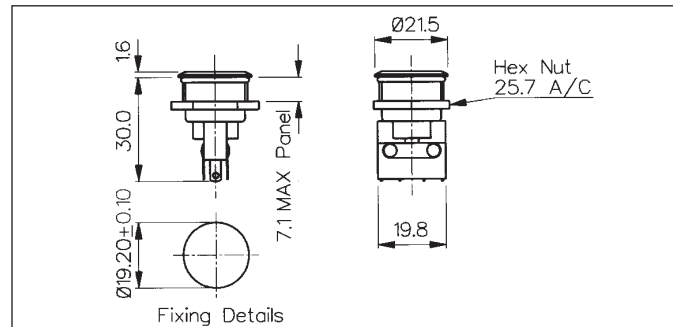
Seite 2 von 3



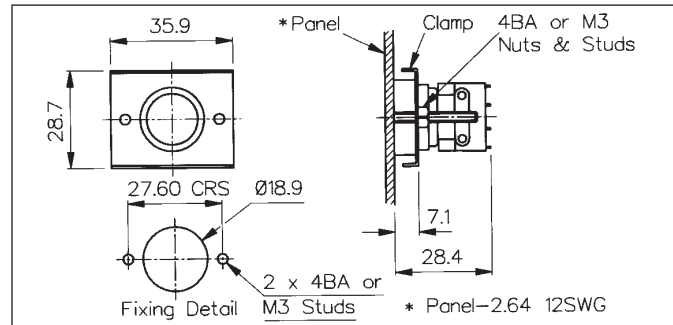
- Low profile
- 21mm dia
- Screw terminals
- Front panel sealed to IP66



- Low profile
- 21mm dia
- Microswitch
- Front panel sealed to IP66



- Flush with panel
- 19mm dia
- Rear panel fixing
- Microswitch



Data \ Part No.	MP0037	MP0031	MP0034
Terminations:	Screw terminals.	Solder tags.	Solder tags.
Switching:	S.P. Push to make. Slow momentary action.	S.P.C.O. Momentary Action (Microswitch).	S.P.C.O. Momentary Action (Microswitch).
Max. Rating:	1A, 50V.	5A, 250V. a.c.	5A, 250V. a.c.
Insulation Resistance:	>10 ⁵ MΩ.	>10 ³ MΩ.	>10 ³ MΩ.
Contact Resistance:	<10mΩ.	<10mΩ.	<10mΩ.
Dielectric Strength:	>1kV. a.c.	>2kV. a.c.	>2kV. a.c.
Operating Temp. Range:	-20°C to +70°C.	-20°C to +70°C.	-20°C to +70°C.
Sealing (Front panel only):	Protection Classification: IP66 EN60529 1992. (Terminals not sealed).	Protection Classification: IP66 EN60529 1992. (Micro switch not sealed).	
Materials:	Mouldings: Glass Filled Nylon. Tags/Terminals: Brass, Silver Plated. Switch Body & Button: Stainless Steel.	Glass Filled Nylon. Brass, Tin Plated. Stainless Steel.	Glass Filled Nylon. Brass, Tin Plated. Stainless Steel.
Contacts/Terms:	Brass, Silver Plated, Silver	Fine Silver.	Fine Silver.
Variants:		Non-Rotating Button, details on request.	

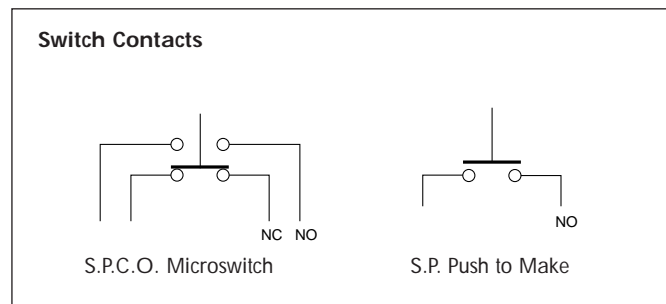
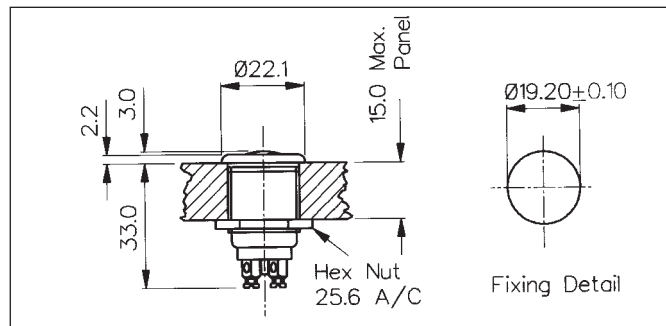
Flache Sicherheitsschalter

Issue date: 03.99

Seite 3 von 3



- Proud fitting
- 21mm dia
- Microswitch
- Front panel sealed to IP66



Data	Part No.	MP0013, MP0033		
Terminations:		Screw terminals.		
Switching:		S.P. Push to Make. Slow Momentary Action.		
Max. Rating:		1A, 50V.		
Insulation Resistance:		>10 ⁴ MΩ.		
Contact Resistance:		<15 mΩ.		
Dielectric Strength:		>2.5kV. a.c.		
Operating Temp. Range:		-20°C to +85°C.		
Sealing:		MP0033 only - internally sealed against ingress of water and dust.		
Materials:	Mouldings:	Glass Filled Nylon.		
	Tags/Terminals:	Brass, Silver Plated.		
	Switch Body & Button:	Body: Brass, Chrome Plated. Button: Stainless Steel.		
Contacts/Terms:		Copper, Silver Plated.		
Variants:				