

# Sicherheitsschalter - mit Gravur

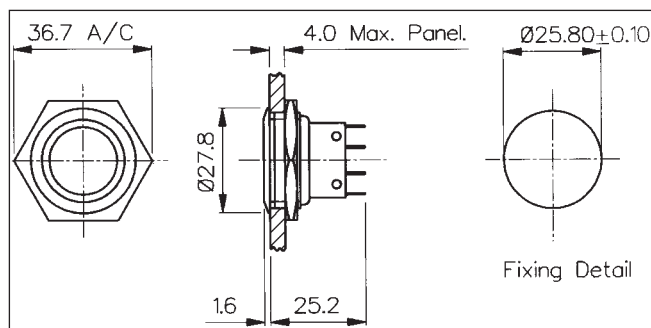
Issue date: 03.99

Seite 1 von 2



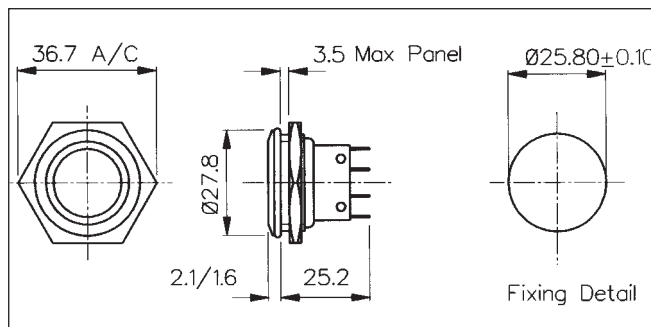
MP0027/1/xx

- Low profile
- 28mm dia
- Microswitch
- Non-rotating button



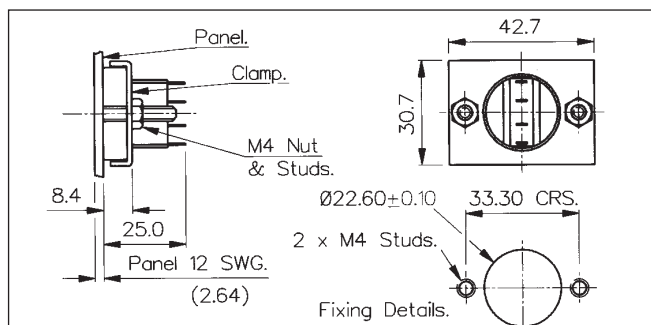
MP0038/1/xx

- Low profile
- 28mm dia
- Microswitch
- Front panel sealed to IP66
- Non-rotating button



MP0025/1/xx

- Flush with panel
- 22mm dia
- Rear panel fixing
- Solder tags
- Non-rotating button



Data	Part No.	MP0027/1/xx	MP0038/1/xx	MP0025/1/xx
Terminations:		Solder tags.	Solder tags.	Solder tags.
Switching:		S.P.C.O. Momentary Action (Microswitch).	S.P.C.O. Momentary Action (Microswitch).	S.P.C.O. Momentary Action (Microswitch).
Max. Rating:		5A, 250V. a.c.	5A, 250V. a.c.	5A, 250V. a.c.
Insulation Resistance:		>10 <sup>3</sup> MΩ.	>10 <sup>3</sup> MΩ.	>10 <sup>3</sup> MΩ.
Contact Resistance:		<10mΩ.	<10mΩ.	<10mΩ.
Dielectric Strength:		>2kV. a.c.	>2kV. a.c.	>2kV. a.c.
Operating Temp. Range:		-20°C to + 70°C.	-20°C to + 70°C.	-20°C to + 70°C.
Sealing (Front of panel only):			Protection Classification: IP66 BS5490: 1977. (Microswitch not sealed).	
Materials:	Mouldings:	Glass Filled Nylon.	Glass Filled Nylon.	Glass Filled Nylon.
	Tags/ Terminations:	Brass, Tin Plated.	Brass, Tin Plated.	Brass, Tin Plated.
	Switch Body & Button:	Stainless Steel.	Stainless Steel.	Stainless Steel.
Contacts:		Fine Silver.	Fine Silver.	Fine Silver.
Engraving Details:		See table 1.	See table 1.	See table 1.

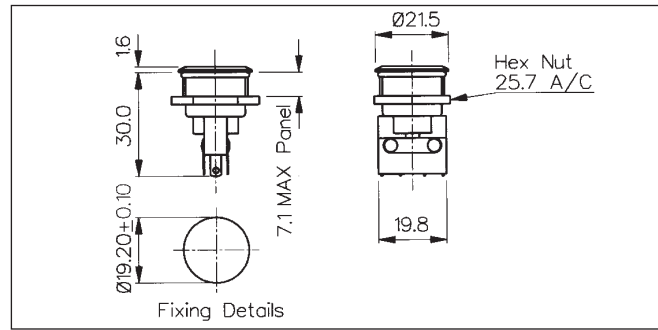
# Sicherheitsschalter - mit Gravur

Issue date: 03.99

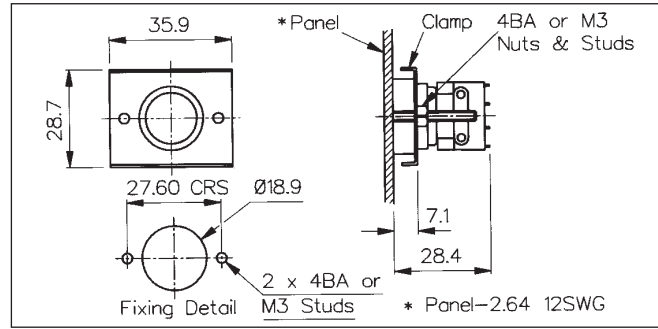
Seite 2 von 2



- Low profile
- 21mm dia
- Microswitch
- Front panel sealed to IP66
- Non-rotating button

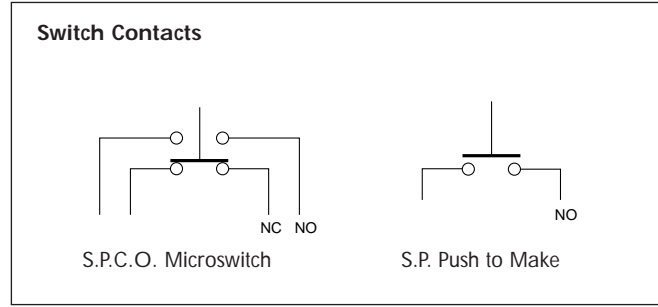


- Flush with panel
- 19mm dia
- Rear panel fixing
- Microswitch



0	1	2	3	4
5	6	7	8	9
10	11	12	13	14
15	16	17	18	19
20	A1*	A2*		
	↑	↓		

Table 1



Data \ Part No.	MP0031/1/xx	MP0034/1/xx
Terminations:	Solder tags.	Solder tags.
Switching:	S.P.C.O. Momentary Action (Microswitch).	S.P.C.O. Momentary Action (Microswitch).
Max. Rating:	5A, 250V. a.c.	5A, 250V. a.c.
Insulation Resistance:	>10 <sup>3</sup> MΩ.	>10 <sup>3</sup> MΩ.
Contact Resistance:	<10mΩ.	<10mΩ.
Dielectric Strength:	>2kV. a.c.	>2kV. a.c.
Operating Temp. Range:	-20°C to +70°C.	-20°C to +70°C.
Sealing (Front panel only):	Protection Classification: IP66 EN60529 1992. (Micro switch not sealed).	
Materials:		
Mouldings:	Glass Filled Nylon.	Glass Filled Nylon.
Tags/Terminals:	Brass, Tin Plated.	Brass, Tin Plated.
Switch Body & Button:	Stainless Steel.	Stainless Steel.
Contacts/Terms:	Fine Silver.	Fine Silver.
Engraving details:	See table 1.	See Table 1.