



# Specifications

## Components used in Polysnap® Power Inlet Modules

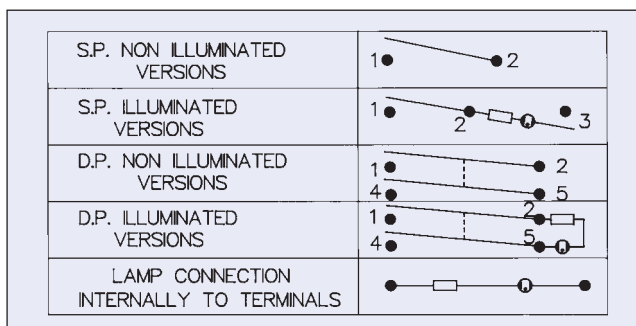
CONNECTORS



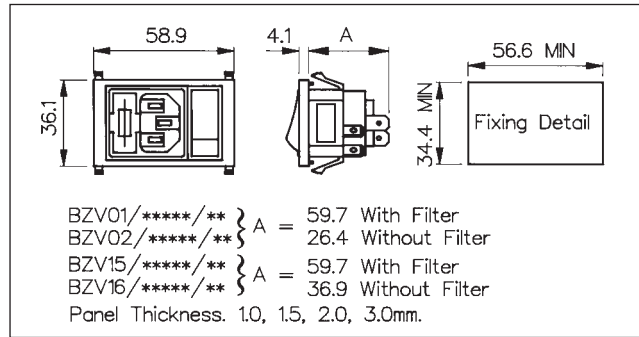
Certificate No. 5812922

Type	Description	Rating
DX0928	Neon Indicator	110V or 250V a.c./d.c. working.
FX0359	5 x 20mm Fuseholder	Max. rating 10A. 250V See also Page 142
PF0011	Power Inlet with Integral 5 x 20mm Fuseholder	Max. rating 10A. 250V a.c. See also Page 29
PF0033	Power Inlet with twin Integral 5 x 20mm Fuseholder	Max. rating 10A. 250V a.c. See also Page 31
PX0575	Power Inlet, Cold Condition	Max. rating 10A. 250V a.c. See also Page 24
PXS575	Suppressed Inlet incorporating 2 x 2.2nF (Y) Capacitors between Lines and Earth	Max. rating 10A. 250V a.c. See also Page 134
PXT575	Surge Protected Inlet, Incorporating VDR across Live and Neutral	Max. rating 10A. 250V a.c. See also Page 136
PX0595	Power Inlet, Hot Condition	Max. rating 10A. 250V a.c. See also Page 33
PX0695	Power Outlet	Max. rating 10A. 250V a.c. See also Page 36
PX0783	Shuttered Power Outlet	Max. rating 10A. 250V a.c. See also Page 37
VS0001	Voltage Selector marked 120/240V	Max. rating 6.3A. 120/240V a.c. See also Page 182
Rocker Switches (except Mini Bezel)	Single and Double Pole Non-illuminated and illuminated	Max. rating 16A 250V a.c. Resistive, 4A Inductive.
High Inrush Current Rocker Switches	Single and Double Pole Non-illuminated and illuminated	Max. rating 16A Resistive, 4A Inductive 250V a.c. Inrush Current Tolerance: 150A to IEC 65.
Rocker Switches (Mini Bezel)	Single and Double Pole Non-illuminated and illuminated	Max. rating 10A Resistive, 4A Inductive 250V a.c.

### Rocker Switch Connections



Note:  
Components are Approved Individually (where applicable)  
Please see relevant pages.



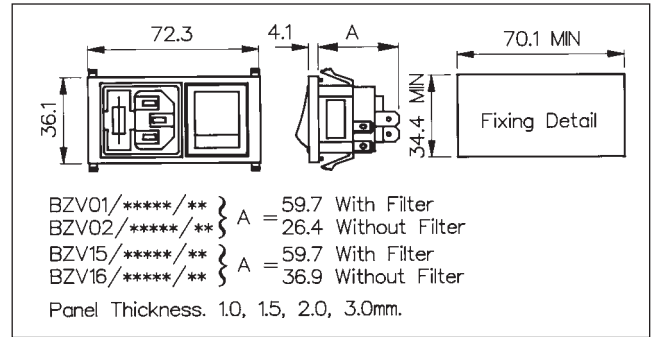
## How to Order

**BZV xx / xxxxx / xx**

Type of Inlet	Filtered or Non Filtered Inlet	Combination of Other Components
<p><b>01</b> = PF0011/63  <b>02</b> = PF0011/28  <b>15</b> = PF0033/63  <b>16</b> = PF0033/28</p>	<p>Z0000 = Non Filtered                      Axxxx = Standard                      Bxxxx = Medical                      Cxxxx = High Performance Standard                      Dxxxx = High Performance Medical</p> <div style="border: 1px solid black; padding: 5px; margin-top: 10px;"> <p>For Filtered inlet use 6th to 9th characters from filter ordering code see pages 126-133.                      E.g. BZV01/<b>A0620</b>/01</p> </div>	<p><b>01</b> = S.P. Switch  <b>02</b> = S.P. Red Neon Switch  <b>03</b> = Red Neon Indicator  <b>08</b> = S.P. Green Neon Switch  <b>46</b> = S.P. High Inrush Switch</p>



Note: For technical details of individual components please see page 46



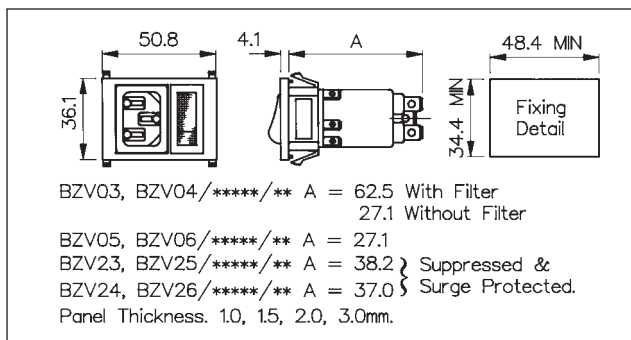
### How to Order

**BZV xx / xxxxx / xx**



Type of Inlet	Filtered or Non Filtered Inlet	Combination of Other Components
<p><b>01</b> = PF0011/63</p> <p><b>02</b> = PF0011/28</p> <p><b>15</b> = PF0033/63</p> <p><b>16</b> = PF0033/28</p>	<p>Z0000 = Non Filtered</p> <p>Axxxx = Standard</p> <p>Bxxxx = Medical</p> <p>Cxxxx = High Performance Standard</p> <p>Dxxxx = High Performance Medical</p> <div style="border: 1px solid black; padding: 5px; margin-top: 10px;"> <p>For Filtered inlet use 6th to 9th characters from filter ordering code see pages 126-133.</p> <p>E.g. BZV01/<b>A0620</b>/10</p> </div>	<p><b>03</b> = Red Neon Indicator</p> <p><b>10</b> = D.P. Switch</p> <p><b>11</b> = D.P. Red Neon Switch</p> <p><b>12</b> = D.P. Green Neon Switch</p> <p><b>13</b> = D.P. High Inrush Switch</p>

Note: For technical details of individual components please see page 46



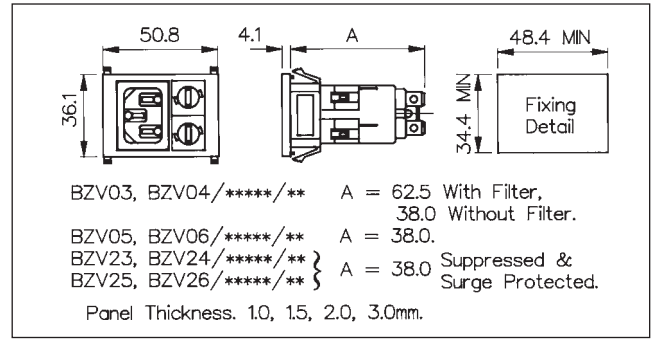
### How to Order

**BZV xx / xxxxx / xx**

Type of Inlet	Filtered or Non Filtered Inlet	Combination of Other Components
<b>03</b> = PX0575/63 <b>04</b> = PX0575/28 <b>05</b> = PX0595/63 <b>06</b> = PX0595/28 <b>23</b> = PXS575/63 <b>24</b> = PXS575/28 <b>25</b> = PXT575/63 <b>26</b> = PXT575/28	Z0000 = Non Filtered Axxxx = Standard Bxxxx = Medical Cxxxx = High Performance Standard Dxxxx = High Performance Medical Exxxx = Earth Line Choke  For Filtered inlet use 6th to 9th characters from filter ordering code see pages 88, 90, 92, 94, 96, 114, 116, 118.  E.g. BZV03/A0120/02	<b>01</b> = S.P. Switch <b>02</b> = S.P. Red Neon Switch <b>03</b> = Red Neon Indicator <b>08</b> = S.P. Green Neon Switch <b>46</b> = S.P. High Inrush Switch



Note: For technical details of individual components please see page 46



### How to Order

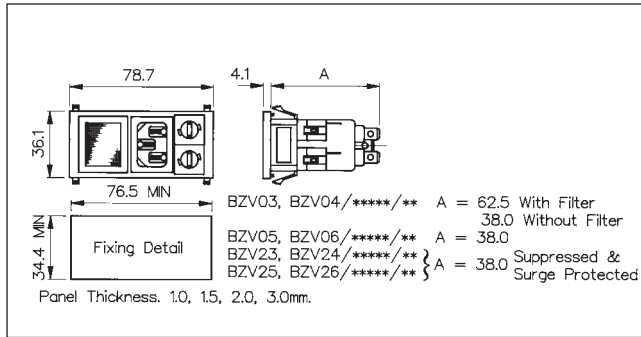
**BZV xx / xxxxx / xx**

Type of Inlet	Filtered or Non Filtered Inlet	Combination of Other Components	
<b>03</b> = PX0575/63	Z0000 = Non Filtered	<b>04</b> = 2 x FX0359	<b>42</b> = 1 x FX0359 + DX0928/110V/GN
<b>04</b> = PX0575/28	Axxxx = Standard	<b>14</b> = 1 x VS0001 + 1 x FX0359	<b>43</b> = 1 x FX0359 + DX0928/250V/Red
<b>05</b> = PX0595/63	Bxxxx = Medical	<b>37</b> = 1 x VS0001 + DX0928/110V/RD	<b>44</b> = 1 x FX0359 + DX0928/250V/GN
<b>06</b> = PX0595/28	Cxxxx = High Performance Standard	<b>38</b> = 1 x VS0001 + DX0928/110V/GN	<b>45</b> = 1 x FX0359 + Blanking Plate
<b>23</b> = PXS575/63	Dxxxx = High Performance Medical	<b>39</b> = 1 x VS0001 + DX0928/250V/RD	
<b>24</b> = PXS575/28	Exxxx = Earth Line Choke	<b>40</b> = 1 x VS0001 + DX0928/250V/GN	
<b>25</b> = PXT575/63		<b>41</b> = 1 x FX0359 + DX0928/110V/RD	
<b>26</b> = PXT575/28			

For Filtered inlet use 6th to 9th characters from filter ordering code see pages 88, 90, 92, 94, 96, 114, 116, 118.  
E.g. BZV04/**A0120**/04

Note: For technical details of individual components please see page 46





### How to Order

**BZV xx / xxxxx / xx**

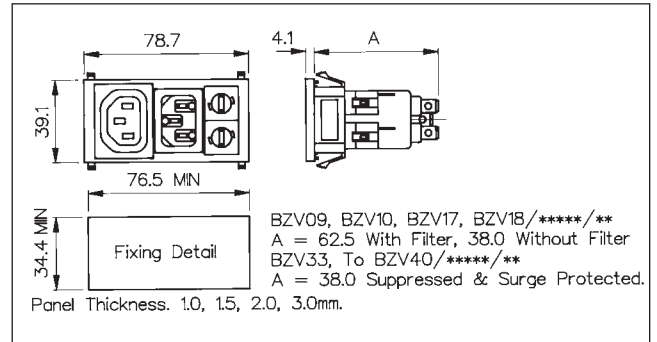
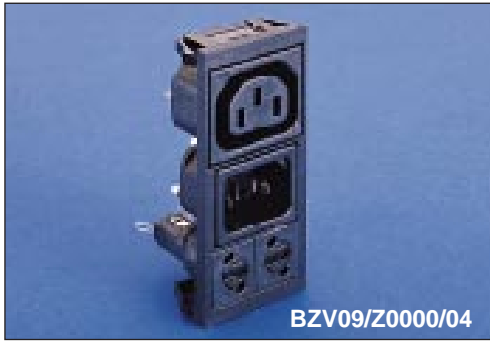
Type of Inlet	Filtered or Non Filtered Inlet	Combination of Other Components	
<b>03</b> = PX0575/63	Z0000 = Non Filtered	<b>05</b> = 2 x FX0359 + D.P. Switch	<b>27</b> = 1 x VS0001 + 1 x DX0928/250V/Red + D.P. Switch
<b>04</b> = PX0575/28	Axxxx = Standard	<b>06</b> = 2 x FX0359 + D.P. Red Neon Switch	<b>28</b> = 1 x VS0001 + 1 x DX0928/250V/Green + D.P. Switch
<b>05</b> = PX0595/63	Bxxxx = Medical	<b>07</b> = 2 x FX0359 + Red Neon Indicator	<b>29</b> = 1 x VS0001 + 1 x DX0928/250V/Red + D.P. High Inrush Switch
<b>06</b> = PX0595/28	Cxxxx = High Performance Standard	<b>09</b> = 2 x FX0359 + D.P. Green Neon Switch	<b>30</b> = 1 x VS0001 + 1 x DX0928/250V/Green + D.P. High Inrush Switch
<b>23</b> = PXS575/63	Dxxxx = High Performance Medical	<b>15</b> = 1 x VS0001+ 1 x FX0359 +D.P. Switch	<b>31</b> = 1 x FX0359 + 1 x DX0928/110V/Red + D.P. Switch
<b>24</b> = PXS575/28	Exxxx = Earth Line Choke	<b>16</b> = 1 x VS0001 + 1 x FX0359 + D.P. Red Neon Switch	<b>32</b> = 1 x FX0359 + 1 x DX0928/110V/Green + D.P. Switch
<b>25</b> = PXT575/63		<b>17</b> = 1 x VS0001 + 1 x FX0359 + Red Neon Indicator	<b>33</b> = 1 x FX0359 + 1 x DX0928/250V/Red + D.P. Switch
<b>26</b> = PXT575/28		<b>18</b> = 1 x VS0001 + 1 x FX0359 + D.P. Green Neon Switch	<b>34</b> = 1 x FX0359 + 1 x DX0928/250V/Green + D.P. Switch
		<b>19</b> = 2 x FX0359 + D.P. Red Neon Switch 125V	<b>35</b> = 1 x FX0359 + 1 x DX0928/250V/Red + D.P. High Inrush Switch
		<b>20</b> = 2 x FX0359 + D.P. High Inrush Switch	<b>36</b> = 1 x FX0359 + 1 x DX0928/250V/Green + D.P. High Inrush Switch
		<b>21</b> = 2 x FX0359 + D.P. High Inrush Green Neon Switch	<b>47</b> = 1 x FX0359 + Blanking Plate (Right) + D.P. High Inrush Green Neon Switch
		<b>22</b> = 2 x FX0359 + D.P. High Inrush Red Neon Switch	<b>48</b> = 1 x FX0359 + Blanking Plate (Right) + D.P. Switch
		<b>25</b> = 1 x VS0001 + 1 x DX0928/110V/Red + D.P. Switch	
		<b>26</b> = 1 x VS0001+ 1 x DX0928/110V/Green + D.P. Switch	

For Filtered inlet use 6th to 9th characters from filter ordering code see pages 88, 90, 92, 94, 96, 114, 116, 118.

E.g. BZV03/A0120/07



Note: For technical details of individual components please see page 46



### How to Order

**BZV xx / xxxxx / xx**

Type of Inlet / Outlet	Filtered or Non Filtered Inlet	Combination of Other Components
<b>09</b> = PX0575/63+ PX0695/63	Z0000 = Non Filtered	<b>04</b> = 2 x FX0359
<b>10</b> = PX0575/28+ PX0695/28	Axxxx = Standard	<b>14</b> = 1 x VS0001 + 1 x FX0359
<b>17</b> = PX0575/63+ PX0783/63	Bxxxx = Medical	<b>37</b> = 1 x VS0001 + DX0928/110V/Red
<b>18</b> = PX0575/28+ PX0783/28	Cxxxx = High Performance Standard	<b>38</b> = 1 x VS0001 + DX0928/110V/Green
<b>33</b> = PXS575/63+ PX0695/63	Dxxxx = High Performance Medical	<b>39</b> = 1 x VS0001 + DX0928/250V/Red
<b>34</b> = PXS575/28+ PX0695/28	Exxxx = Earth Line Choke	<b>40</b> = 1 x VS0001 + DX0928/250V/Green
<b>35</b> = PXT575/63+ PX0695/63		<b>41</b> = 1 x FX0359 + DX0928/110V/Red
<b>36</b> = PXT575/28+ PX0695/28		<b>42</b> = 1 x FX0359 + DX0928/110/Green
<b>37</b> = PXS575/63+ PX0783/63		<b>43</b> = 1 x FX0359 + DX0928/250V/Red
<b>38</b> = PXS575/28+ PX0783/28		<b>44</b> = 1 x FX0359 + DX0928/250V/Green
<b>39</b> = PXT575/63+ PX0783/63		<b>45</b> = 1 x FX0359 + Blanking Plate
<b>40</b> = PXT575/28+ PX0783/28		

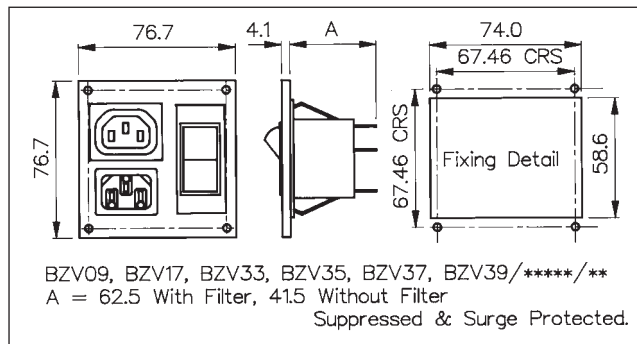
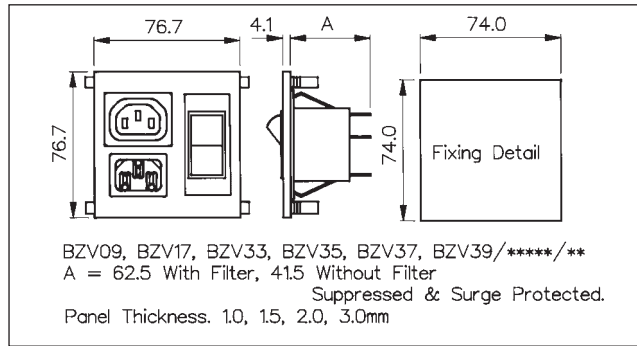
For Filtered inlet use 6th to 9th characters from filter ordering code see pages 88, 90, 92, 94, 96, 114, 116, 118.

E.g. BZV09/A0120/04

Note: For technical details of individual components please see page 46







### How to Order

**BZV xx / xxxxx / xx**

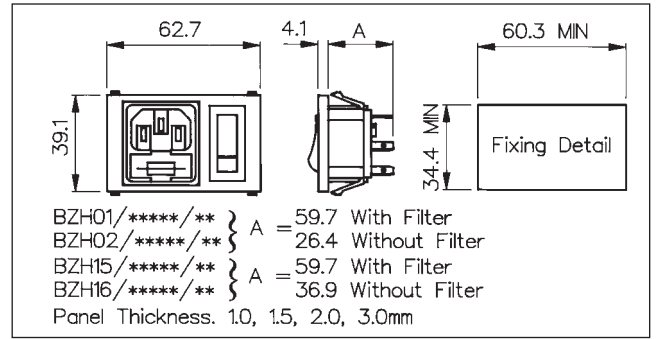
Type of Inlet / Outlet	Filtered or Non Filtered Inlet	Circuit Breaker and Bezel Style
<b>09</b> = PX0575/63+ PX0695/63 <b>17</b> = PX0575/63+ PX0783/63 <b>33</b> = PXS575/63+ PX0695/63 <b>35</b> = PXT575/63+ PX0695/63 <b>37</b> = PXS575/63+ PX0783/63 <b>39</b> = PXT575/63+ PX0783/63	Z0000 = Non Filtered Axxxx = Standard Bxxxx = Medical Cxxxx = High Performance Standard Dxxxx = High Performance Medical Exxxx = Earth Line Choke  For Filtered inlet use 6th to 9th characters from filter ordering code see pages 88, 90, 92, 94, 96, 114, 116, 118.  E.g. BZV09/A0120/49 2 Amp	<b>49</b> = Single Pole Sensing Snap to Panel Bezel  <b>50</b> = Double Pole Sensing, Snap to Panel Bezel  <b>51</b> = Single Pole Sensing, Screw to Panel Bezel  <b>52</b> = Double Pole Sensing, Screw to Panel Bezel

CONNECTORS



Data \ List No.	BZVxx/xxxxx/49	BZVxx/xxxxx/50	BZVxx/xxxxx/51	BZVxx/xxxxx/52
Fixing:	Push Fit.	Push Fit.	Flange.	Flange.
Termination:	6.3 tab.	6.3 tab.	6.3 tab.	6.3 tab.
Ratings:	2A, 2.5A, 3A, 5A, 8A, 10A. Please state current ratings when ordering.			
Insulation Resistance:	>10 <sup>3</sup> MΩ. (@ 500V d.c.)	>10 <sup>3</sup> MΩ. (@ 500V d.c.)	>10 <sup>3</sup> MΩ. (@ 500V d.c.)	>10 <sup>3</sup> MΩ. (@ 500V d.c.)
Thermal Sensing:	Single Pole.	Double Pole.	Single Pole.	Double Pole.





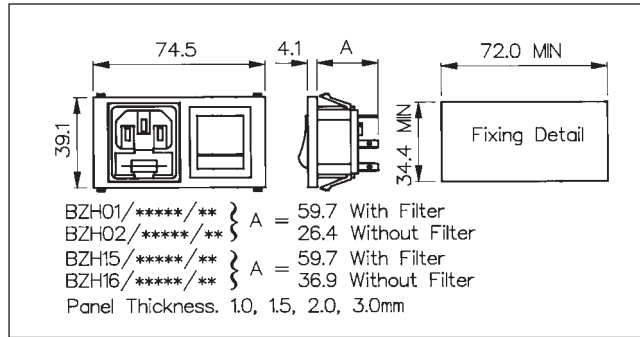
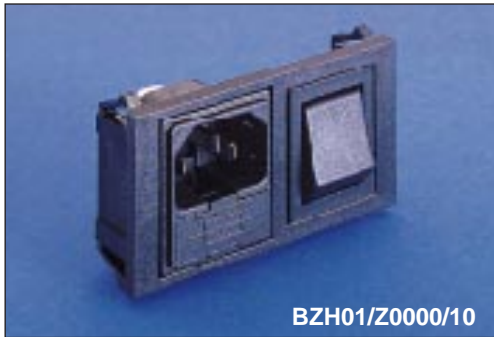
### How to Order

**BZH xx / xxxxx / xx**

Type of Inlet	Filtered or Non Filtered Inlet	Combination of Other Components
<b>01</b> = PF0011/63 <b>02</b> = PF0011/28 <b>15</b> = PF0033/63 <b>16</b> = PF0033/28	Z0000 = Non Filtered Axxxx = Standard Bxxxx = Medical Cxxxx = High Performance Standard Dxxxx = High Performance Medical  <div style="border: 1px solid black; padding: 5px; width: fit-content; margin: 10px auto;">             For Filtered inlet use 6th to 9th characters from filter ordering code see pages 126-133.              E.g. BZH01/<b>A0620</b>/01           </div>	<b>01</b> = S.P. Switch <b>02</b> = S.P. Red Neon Switch <b>03</b> = Red Neon Indicator <b>08</b> = S.P. Green Neon Switch <b>46</b> = S.P. High Inrush Switch



Note: For technical details of individual components please see page 46



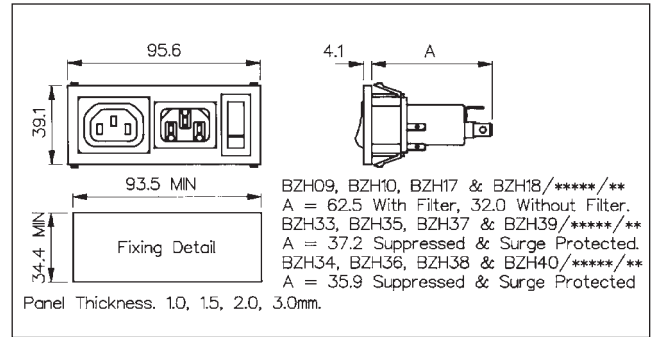
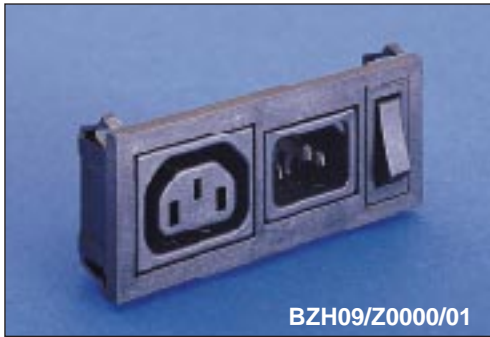
## How to Order

**BZH xx / xxxxx / xx**



Type of Inlet	Filtered or Non Filtered Inlet	Combination of Other Components
<p><b>01</b> = PF0011/63</p> <p><b>02</b> = PF0011/28</p> <p><b>15</b> = PF0033/63</p> <p><b>16</b> = PF0033/28</p>	<p>Z0000 = Non Filtered</p> <p>Axxxx = Standard</p> <p>Bxxxx = Medical</p> <p>Cxxxx = High Performance Standard</p> <p>Dxxxx = High Performance Medical</p> <div style="border: 1px solid black; padding: 5px; margin-top: 10px;"> <p>For Filtered inlet use 6th to 9th characters from filter ordering code see pages 126-133.</p> <p>E.g. BZH01/<b>A0620</b>/10</p> </div>	<p><b>03</b> = Red Neon Indicator</p> <p><b>10</b> = D.P. Switch</p> <p><b>11</b> = D.P. Red Neon Switch</p> <p><b>12</b> = D.P. Green Neon Switch</p> <p><b>13</b> = D.P. High Inrush Switch</p>

Note: For technical details of individual components please see page 46



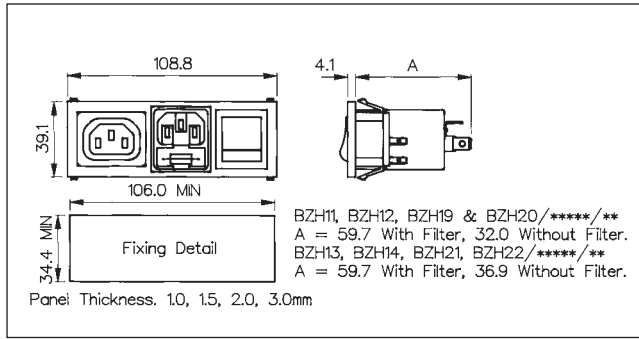
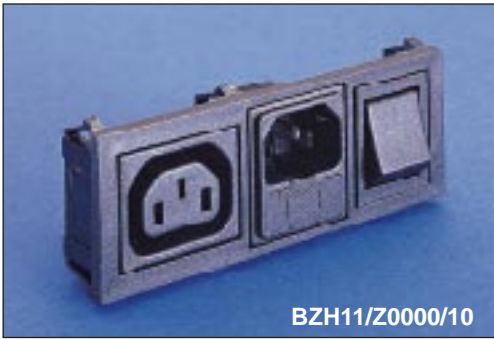
### How to Order

**BZH xx / xxxxx / xx**

Type of Inlet / Outlet	Filtered or Non Filtered Inlet	Combination of Other Components
<b>09</b> = PX0575/63+ PX0695/63  <b>10</b> = PX0575/28+ PX0695/28  <b>17</b> = PX0575/63+ PX0783/63  <b>18</b> = PX0575/28+ PX0783/28  <b>33</b> = PXS575/63+ PX0695/63  <b>34</b> = PXS575/28+ PX0695/28  <b>35</b> = PXT575/63+ PX0695/63  <b>36</b> = PXT575/28+ PX0695/28  <b>37</b> = PXS575/63+ PX0783/63  <b>38</b> = PXS575/28+ PX0783/28  <b>39</b> = PXT575/63+ PX0783/63  <b>40</b> = PXT575/28+ PX0783/28	Z0000 = Non Filtered  Axxxx = Standard  Bxxxx = Medical  Cxxxx = High Performance Standard  Dxxxx = High Performance Medical Exxxx = Earth Line Choke	<b>01</b> = S.P. Switch  <b>02</b> = S.P. Red Neon Switch  <b>03</b> = Red Neon Indicator  <b>08</b> = S.P. Green Neon Switch  <b>46</b> = S.P. High Inrush Switch
	<div style="border: 1px solid black; padding: 5px;">                     For Filtered inlet use 6th to 9th characters from filter ordering code see pages 88, 90, 92, 94, 96, 114, 116, 118.                       E.g. BZH09/<b>A0120</b>/01                 </div>	

Note: For technical details of individual components please see page 46





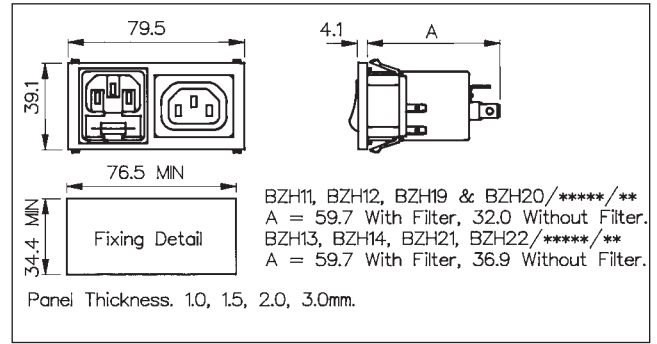
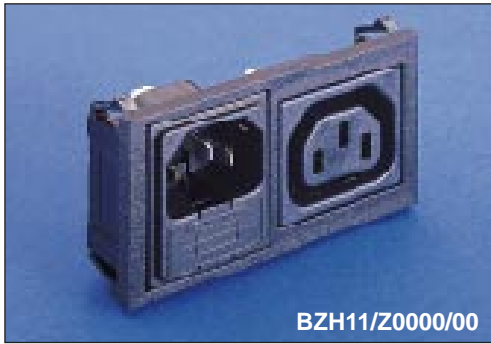
## How to Order

**BZH xx / xxxxx / xx**

Type of Inlet / Outlet	Filtered or Non Filtered Inlet	Combination of Other Components
<p><b>11</b> = PF0011/63+ PX0695/63</p> <p><b>12</b> = PF0011/28+ PX0695/28</p> <p><b>13</b> = PF0033/63+ PX0695/63</p> <p><b>14</b> = PF0033/28+ PX0695/28</p> <p><b>19</b> = PF0011/63+ PX0783/63</p> <p><b>20</b> = PF0011/28+ PX0783/28</p> <p><b>21</b> = PF0033/63+ PX0783/63</p> <p><b>22</b> = PF0033/28+ PX0783/28</p>	<p>Z0000 = Non Filtered</p> <p>Axxxx = Standard</p> <p>Bxxxx = Medical</p> <p>Cxxxx = High Performance Standard</p> <p>Dxxxx = High Performance Medical</p> <div style="border: 1px solid black; padding: 5px; margin-top: 10px;"> <p>For Filtered inlet use 6th to 9th characters from filter ordering code see pages 126-133.</p> <p>E.g. BZH11/<b>A0620</b>/10</p> </div>	<p><b>03</b> = Red Neon Indicator</p> <p><b>10</b> = D.P. Switch</p> <p><b>11</b> = D.P. Red Neon Switch</p> <p><b>12</b> = D.P. Green Neon Switch</p> <p><b>13</b> = D.P. High Inrush Switch</p>



Note: For technical details of individual components please see page 46



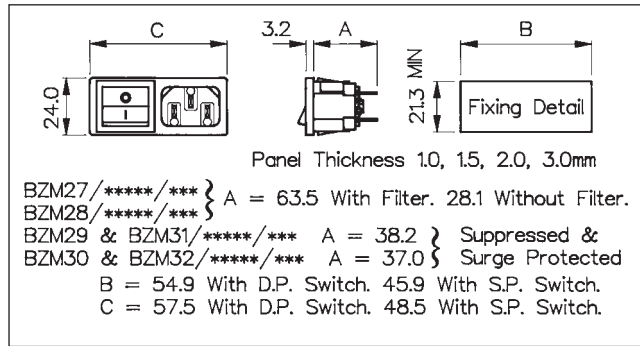
### How to Order

**BZH xx / xxxxx / xx**



Type of Inlet / Outlet	Filtered or Non Filtered Inlet	Combination of Other Components
<b>11</b> = PF0011/63+ PX0695/63  <b>12</b> = PF0011/28+ PX0695/28  <b>13</b> = PF0033/63+ PX0695/63  <b>14</b> = PF0033/28+ PX0695/28  <b>19</b> = PF0011/63+ PX0783/63  <b>20</b> = PF0011/28+ PX0783/28  <b>21</b> = PF0033/63+ PX0783/63  <b>22</b> = PF0033/28+ PX0783/28	Z0000 = Non Filtered  Axxxx = Standard  Bxxxx = Medical  Cxxxx = High Performance Standard  Dxxxx = High Performance Medical  <div style="border: 1px solid black; padding: 5px; margin-top: 10px;">                         For Filtered inlet use 6th to 9th characters from filter ordering code see pages 126-133.                           E.g. BZH11/<b>A0620</b>/00                     </div>	<b>00</b> = None.

Note: For technical details of individual components please see page 46



### How to Order

**BZM xx / xxxxx / xx x**

Type of Inlet	Filtered or Non Filtered Inlet	Combination of Other Components	Panel Thickness
<b>27</b> = PX0575/63	Z0000 = Non Filtered	<b>53</b> = S.P. Switch 4.8mm tab. Marked 0/1	<b>1.0mm</b> = A
<b>28</b> = PX0575/28	Axxxx = Standard	<b>54</b> = S.P. Switch Solder tab. Marked 0/1	<b>1.5mm</b> = B
<b>29</b> = PXS575/63	Bxxxx = Medical	<b>55</b> = S.P. Switch illum. Red. 4.8mm tab.	<b>2.0mm</b> = C
<b>30</b> = PXS575/28	Cxxxx = High Performance Standard	<b>56</b> = S.P. Switch illum. Red. Solder tab.	<b>3.0mm</b> = D
<b>31</b> = PXT575/63	Dxxxx = High Performance Medical	<b>57</b> = D.P. Switch 4.8mm tab. Marked 0/1	
<b>32</b> = PXT575/28	Exxxx = Earth Line Choke	<b>58</b> = D.P. Switch Solder tab. Marked 0/1	
		<b>59</b> = D.P. Switch illum. Red. 4.8mm tab.	
		<b>60</b> = D.P. Switch illum. Red. Solder tab.	
		<b>61</b> = S.P. Switch illum. Green. 4.8mm tab.	
		<b>62</b> = S.P. Switch illum. Green. Solder tab.	
		<b>63</b> = D.P. Switch illum. Green. 4.8mm tab.	
		<b>64</b> = D.P. Switch illum. Green. Solder tab.	
		<b>65</b> = D.P. Switch (High Inrush). 4.8mm tabs.	
		<b>68</b> = D.P. Switch (High Inrush). 4.8mm tabs Marked 0/1 (S.P. Format)	

For Filtered inlet use 6th to 9th characters from filter ordering code see pages 88, 90, 92, 94, 96, 114, 116, 118.  
E.g. BZM27/A0120/57B



**Note:** For technical details of individual components please see page 46