

Connector**	Opposite End Plug**	Cable Length**	Colour**	Fuse Rating
01 = PZ0100 02 = PZ0200	05 = PZ0500 06 = PZ0600 08 = PZ0800	2M00 = 2 Metres* 2M50 = 2.5 Metres 3M00 = 3 Metres	BK = Black	(PZ0500/PZ0600 cannot be fused). PZ0800 (Only): 03 = 3AMP 05 = 5AMP 10 = 10AMP

Examples:

PZ0108/2M00BK05 = PZ0100 Black with PZ0800 on opposite end with 2 metres of cable and 5AMP fuse.

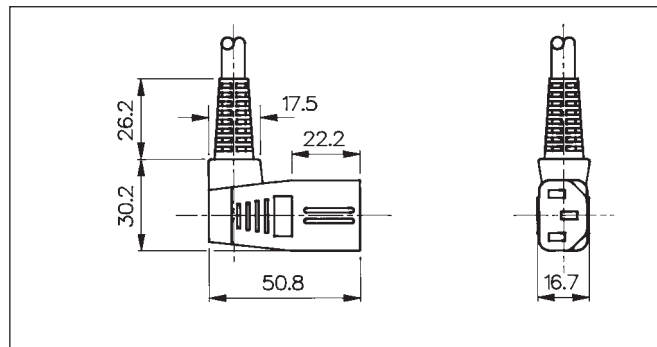
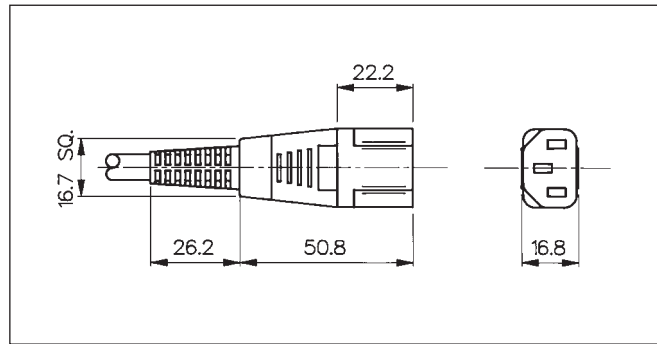
PZ0105/2M00BK = PZ0100 Black with PZ0500 on opposite end with 2 metres of cable.

Notes:

* Versions with cable length of 2 metres and under are fitted with 0.75mm² cable. Longer versions use 1.00mm² cable in accordance with BS4491-EN60 320, IEC799.

** For variations of cable length, colour or connector/plug combinations, details on request.

EN60 320 (BS4491 Standard Sheet C13 Class I) Non Rewirable Cold Condition



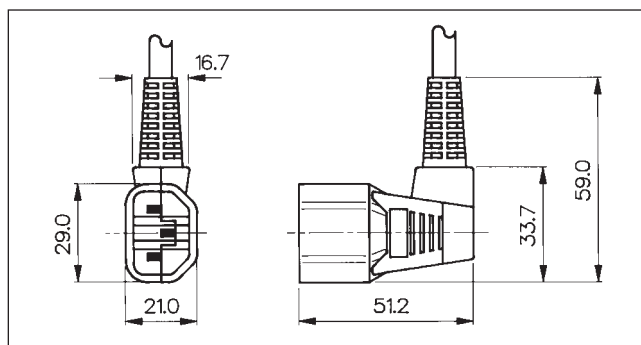
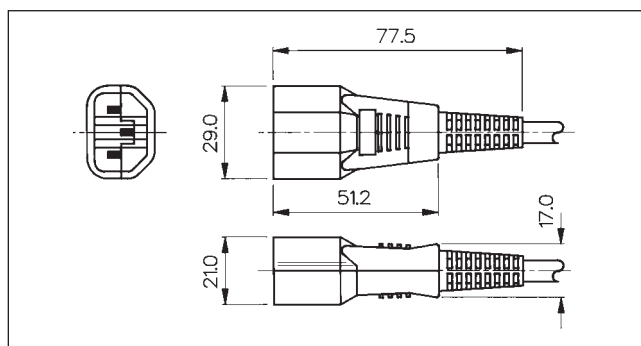
CONNECTORS

Ordering Data

Cable Length	List No.	List No.
2 Metres	PZ0100/2M00	PZ0200/2M00
2.5 Metres	PZ0100/2M50	PZ0200/2M50
3 Metres	PZ0100/3M00	PZ0200/3M00
For Rewirable types see pages 32-33.		



Data \ List No.	PZ0100/Length	PZ0200/Length	
Cable Lengths:	2m (0.75mm ²), 2.5m, 3m (1.0mm ²).	2m (0.75mm ²), 2.5m, 3m (1.0mm ²).	
Terminations:	Bared ends.	Bared ends.	
Max. Rating:	10A. 250V a.c.	10A. 250V a.c.	
Contact Resistance:	<10mΩ.	<10mΩ.	
Insulation Resistance:	>10 ⁵ MΩ.	>10 ⁵ MΩ.	
A.C. Breakdown:	Pole-Pole 6.5kV. Poles-Accessible parts 5kV.	Pole-Pole 6.5kV. Poles-Accessible parts 5kV.	
Operating Temp. Range:	0°C to +70°C.	0°C to +70°C.	
Withdrawal Force:	10N (Min) 50N (Max).	10N (Min) 50N (Max).	
Mouldings:	Polycarbonate. Flammability Rating UL.94V-O.	Polycarbonate. Flammability Rating UL.94V-O.	
Contacts:	Phosphor Bronze.	Phosphor Bronze.	
Approvals:			
Mates with:	PX0575, PX0579, PX0580, PF0001, PF0011, PF0030, PF0033, PXS575, PXS579, PXS580, PXT575, PXT579, PXT580.		
Variants:	Alternative cable lengths, white or grey mouldings details on request.	Alternative cable lengths, white or grey mouldings details on request.	



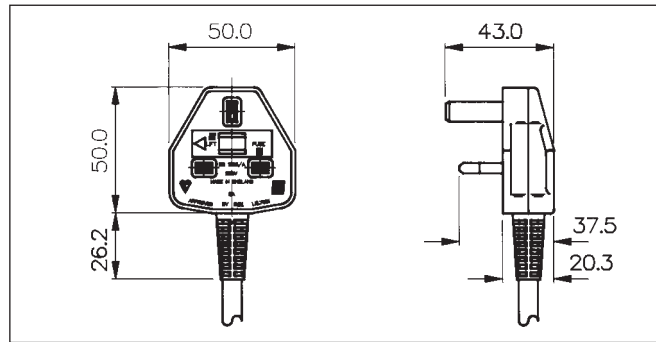
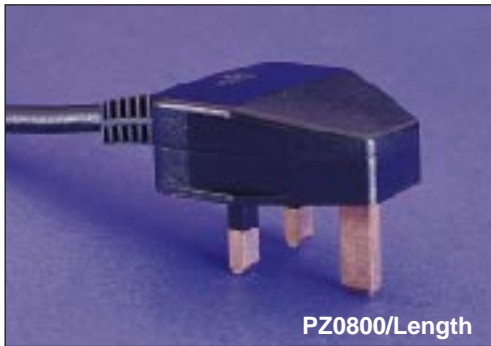
Ordering Data

Cable Length	List No.	List No.
2 Metres	PZ0500/2M00	PZ0600/2M00
2.5 Metres	PZ0500/2M50	PZ0600/2M50
3 Metres	PZ0500/3M00	PZ0600/3M00

For Rewirable types see page 39.




Data	List No.	PZ0500/Length	PZ0600/Length
Cable Lengths:		2m (0.75mm ²), 2.5m, 3m (1.0mm ²).	2m (0.75mm ²), 2.5m, 3m (1.0mm ²).
Terminations:		Bared ends.	Bared ends.
Max. Rating:		10A. 250V a.c.	10A. 250V a.c.
Contact Resistance:		<10mΩ.	<10mΩ.
Insulation Resistance:		>10 ⁴ MΩ.	>10 ⁴ MΩ.
A.C. Breakdown:		Pole-Pole 6.5kV. Poles-Accessible parts 6kV.	Pole-Pole 6.5kV. Poles-Accessible parts 6kV.
Operating Temp. Range:		0°C to +70°C.	0°C to +70°C.
Withdrawal Force:		10N (Min) 50N (Max).	10N (Min) 50N (Max).
Mouldings:		Polycarbonate. Flammability Rating UL 94V-O.	Polycarbonate. Flammability Rating UL 94V-O.
Contacts:		Brass: Tin Plated.	Brass: Tin Plated.
Approvals:		* Pending	* Pending
Mates with:		PX0675, PX0695, PX0783, PX0793, PX0714.	PX0675, PX0695, PX0783, PX0793, PX0714.
Variants:		Alternative cable lengths, white or grey mouldings details on request.	Alternative cable lengths, white or grey mouldings details on request.



Ordering Data

Cable Length	3A Fuse Rating	5A Fuse Rating	10A Fuse Rating
2 Metres	PZ0800/2M00BK03	PZ0800/2M00BK05	PZ0800/2M00BK10
2.5 Metres	PZ0800/2M50BK03	PZ0800/2M50BK05	PZ0800/2M50BK10
3 Metres	PZ0800/3M00BK03	PZ0800/3M00BK05	PZ0800/3M00BK10



Data	List No.	PZ0800/Length		
Cable Lengths:		2m , 2.5m, 3m.		
Terminations:		Bared ends.		
Fuse Ratings:		3A, 5A, 10A 250V a.c.		
Operating Temp. Range:		0°C to +70°C.		
Mouldings:		Polycarbonate. Flammability Rating: UL.94V-O.		
Contacts:		Pins: Brass.		
Approvals:				
Variants:		Alternative cable lengths, white or grey mouldings details on request.		