

IP67

LICO

Never Beaten by Seasons



BE Enclosures

Frozen Winters! Torrential Springs! Blistering Summers! Dusty Autumns!

LICO Electronics GmbH
Klederinger Str. 31
A-2320 Kledering, Austria
office@lico.at www.lico.at
Tel. +43 1 706 43 00

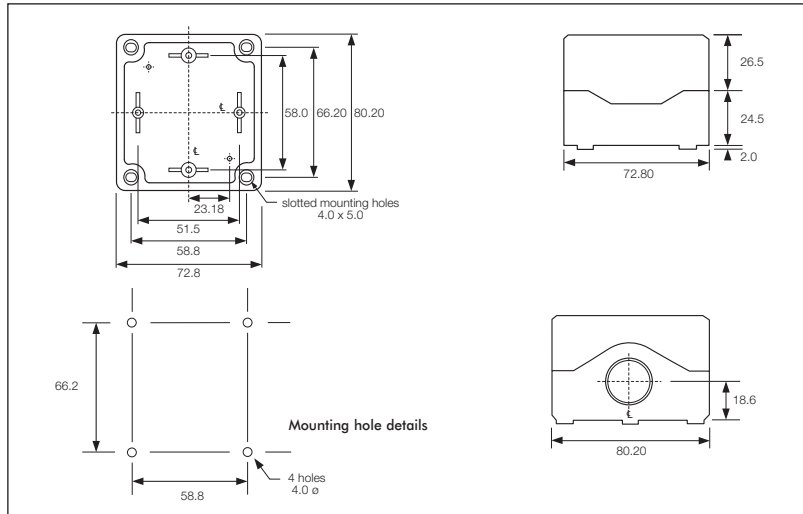
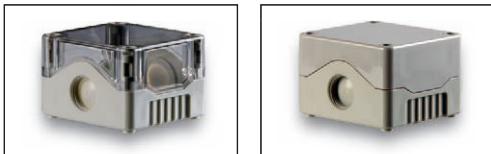
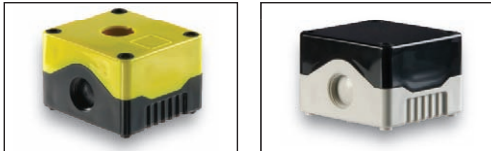
elektron
components



A trading name of the Elektron Components Ltd

B BULGIN

SIZE 1 ENCLOSURE

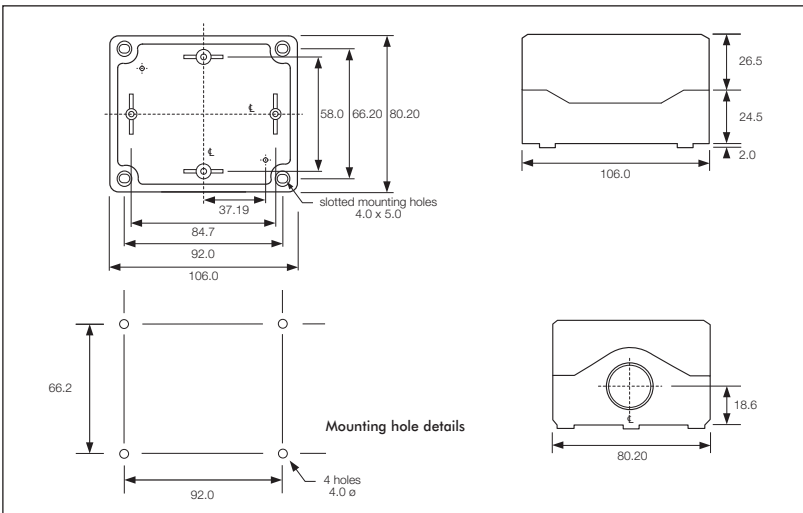
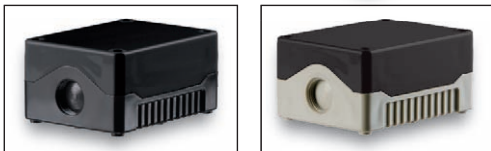
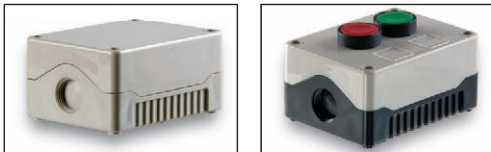
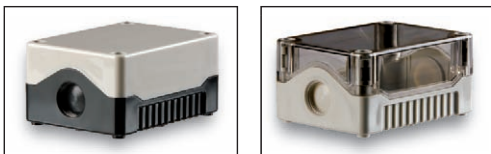
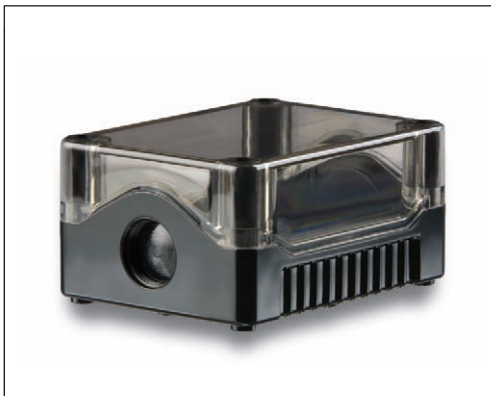


BE01A – ABS

BE01P – Polycarbonate

- 80 x 72 x 53mm
- Slotted mounting holes, 66.2 x 58.8mm
- 2 threaded knock-outs suitable for M20 glands
- Option for single 22mm ϕ cut-out
- PCB mounting posts suitable for M3 self tapping screws
- ABS or Flame Retardant Polycarbonate
- Grey or black base
- Transparent, smoked grey, black, grey or yellow lid

SIZE 2 ENCLOSURE

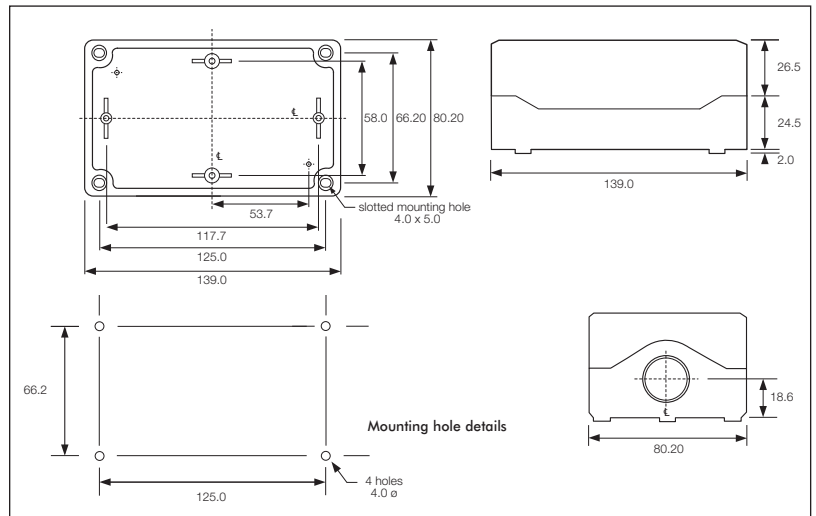
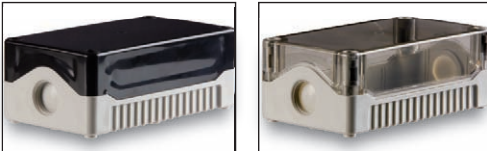


BE02A – ABS

BE02P – Polycarbonate

- 80 x 106 x 53mm
- Slotted mounting holes, 66.2 x 92.0mm
- 2 threaded knock-outs suitable for M20 glands
- Option for two 22mm ϕ cut-outs
- PCB mounting posts suitable for M3 self tapping screws
- ABS or Flame Retardant Polycarbonate
- Grey or black base
- Transparent, smoked grey, black, grey or yellow lid

SIZE 3 ENCLOSURE

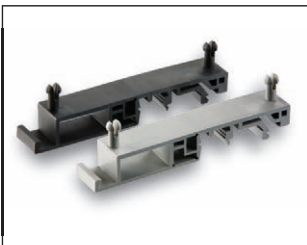


BE03A – ABS

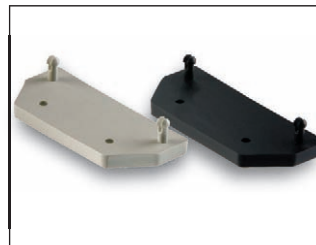
BE03P – Polycarbonate

- 80 x 139 x 53mm
- Slotted mounting holes, 66.2 x 125mm
- 2 threaded knock-outs suitable for M20 glands
- Option for three 22mm Ø cut-outs
- PCB mounting posts suitable for M3 self tapping screws
- ABS or Flame Retardant Polycarbonate
- Grey or black base
- Transparent, smoked grey, black, grey or yellow lid

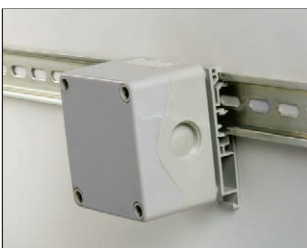
ACCESSORIES



- Combifoot rail mounting accessory
- Suitable for TS32 & TS35 rails
- Available in black or grey
- Part numbers:
Grey - BE123456
Black - BE123457



- Wall mounting accessory
- Easy fix to enclosure
- Available in black or grey
- Part numbers:
Grey - BE123458
Black - BE123459



- Cable glands
- M20 thread
- Cable range 3.5-8mm
- Supplied with gasket
- Available in black or grey
- Part numbers:
Grey - BE123460
Black - BE123461

BE Enclosures

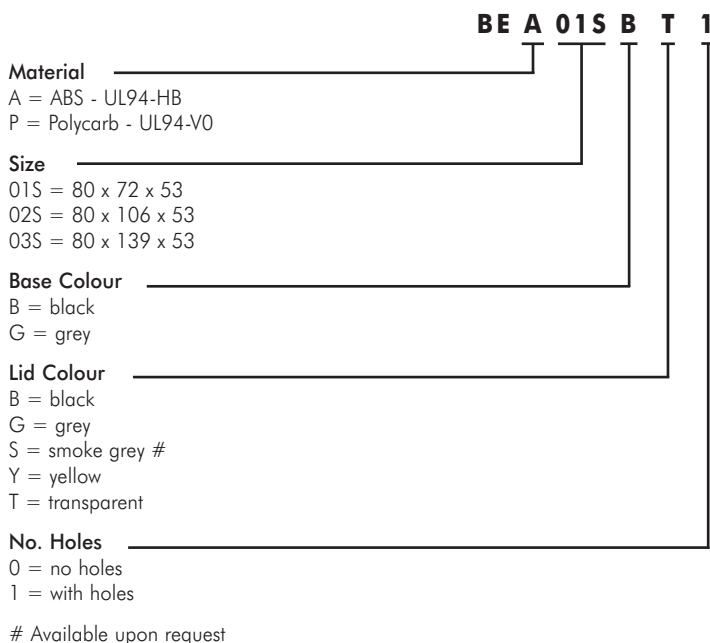
SPECIFICATIONS

	BEAxx	BEPxx
Sealing:	IP67	IP67
Material:	ABS	Polycarbonate
Flammability rating:	UL94-HB	UL94-V0
Gasket	TPE	TPE
Temperature rating:	-20°C to +85°C	-20°C to +100°C

FEATURES

- IP67 rated, dust and waterproof for short-term submersion to 1m depth
- Two materials, Polycarbonate - UL94-V0 rated or ABS - UL94-HB rated
- Threaded knock-outs, premoulded areas that can be pushed out for use with M20 size cable glands
- Plastic lid fixing screws, corrosion resistant
- Captive lid screws, standard on all lids
- Available with optional 22mm holes, suitable for standard switches and indicators
- PCB mounting, mounting posts and slots for PCB as standard
- Self tapping screw fixing, standard feature
- Transparent top cover, available in clear and smoke grey
- Accessories:
 - Wall mounting brackets
 - Combifoot - TS32 & TS35 din rail mounting
 - M20 cable glands for use in knock-outs
- Registered design

PART NO SYSTEM



Part number example:
BEA02SGT0 = Size 2, ABS material, grey base, transparent lid with no holes

LICO Electronics GmbH
Klederinger Str. 31
A-2320 Kledering, Austria
office@lico.at www.lico.at
Tel. +43 1 706 43 00

