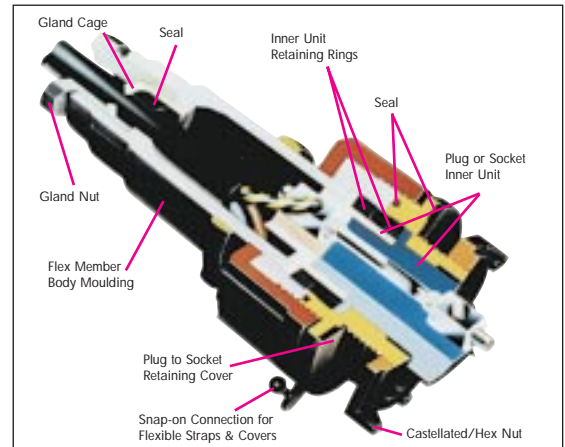




Buccaneer® Standard Sealed Connectors

CONNECTORS



Data		
Ratings:	2 & 3 Pole 4 Pole 6 & 7 Pole 9 Pole 25 Pole	10A 250V a.c./d.c. 6A 250V a.c./d.c. 3A 250V a.c./d.c. 5A 150V a.c./d.c. 1A 50V a.c./d.c.
Contact Resistance:	<10mΩ (2-9 pole) <5mΩ (25 pole)	
Insulation Resistance:	>10 ⁴ MΩ @ 500V d.c. (2 - 9 Pole)	
A.C. Breakdown Voltage:	4kV Pole - Pole (2 - 9 Pole) 6kV Poles - Panel (Low Profile Flange & Chassis Types 2 - 9 Pole) 7.5kV Poles - Panel (Other Types 2 - 9 Pole)	
Operating Temp. Range:	-20°C to +70°C	
Sealing:	IP68, BS 5490 : 1977 BS 60529 : 1992 Tested@15lb/sq. in. (10m depth) for 2 Wks. Tested@150lb/sq. in. (100m depth) for 12 Hrs.	
Materials: Body Moulding & Inserts: Contacts: BNC Inserts: BNC Contacts:	Glass Filled Nylon, UL94HB Nylon, UL94V-0 Brass, Nickel Plated Copper Alloy, Tin Plated Copper Alloy, Gold Plated 0.1µm on Nickel Brass, Nickel Plated Brass, Silver Plated	(2 - 9 Pole) (25 Pole Inserts) (2 - 7 Pole) (9 Pole) (25 Pole)
Cable Acceptance:	6 - 8mm Overall dia. 3.5 - 5mm Overall dia. 5 - 7 mm Overall dia. 7 - 9mm Overall dia. 50Ω - RG 58/CU, URM43, & URM76 75Ω - URM70	Standard 2 - 9 Pole, Optional 25 Pole Optional 2 - 9 Pole, Optional 25 Pole Optional 2 - 9 Pole, Optional 25 Pole Optional 2 - 9 Pole, Standard 25 Pole BNC BNC
Terminations:	Screw Terminal. Crimp Contacts (24 - 28AWG). Crimp and Solder Contacts (0.21mm ² - 0.081mm ²) Crimp.	2 - 7 pole. 9 pole. 25 pole. BNC.
Approvals:	Reg.-Nr. 1549	
Tightening Torques Flex mounting/In-Line: Panel/Chassis Mounting: Surface/Bulkhead and Low Profile Flange Mounting: Sealing Caps/Locking Ring:	Gland nut: 1.13Nm (10lbf. in.) Rear fixing nut: 1.7Nm (15lbf. in.) 4 fixing screws (using washers supplied) 0.34Nm (3lbf. in) 1.13Nm (10lbf. in)	



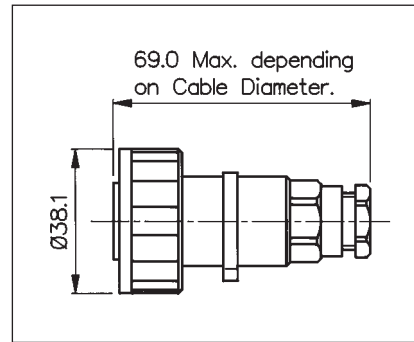


CONNECTORS



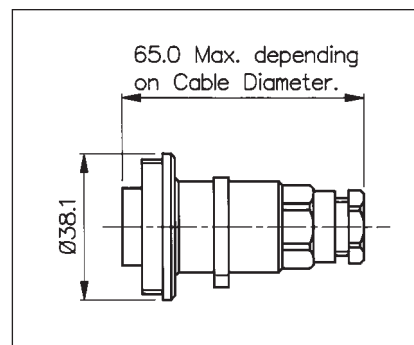
Flex Mounting

Poles	List No. Plug	List No. Socket
2	PX0736/P	PX0736/S
3	PX0731/P	PX0731/S
4	PX0748/P	PX0748/S
6	PX0739/P	PX0739/S
7	PX0745/P	PX0745/S
9*	PX0728/P	PX0728/S
25†	PX0820/P	PX0820/S
50ΩBNC**	PX0742/P/50Ω	
75ΩBNC**	PX0742/P/75Ω	



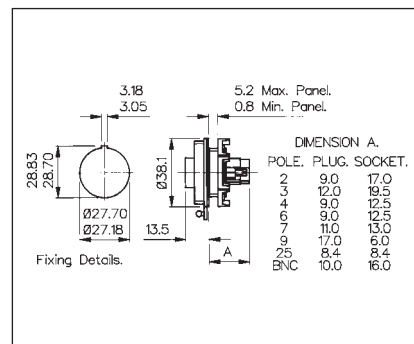
Flex Mounting In-Line Connector

Poles	List No. Plug	List No. Socket
2	PX0737/P	PX0737/S
3	PX0732/P	PX0732/S
4	PX0749/P	PX0749/S
6	PX0740/P	PX0740/S
7	PX0746/P	PX0746/S
9*	PX0729/P	PX0729/S
25†	PX0821/P	PX0821/S
50ΩBNC**		PX0743/S/50Ω
75ΩBNC**		PX0743/S/75Ω



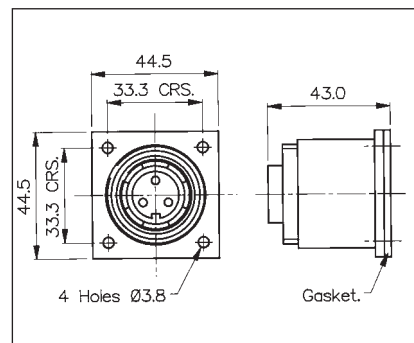
Chassis Mounting

Poles	List No. Plug	List No. Socket
2	PX0735/P	PX0735/S
3	PX0730/P	PX0730/S
4	PX0747/P	PX0747/S
6	PX0738/P	PX0738/S
7	PX0744/P	PX0744/S
9*	PX0727/P	PX0727/S
25†	PX0822/P	PX0822/S
50ΩBNC**		PX0741/S/50Ω
75ΩBNC**		PX0741/S/75Ω



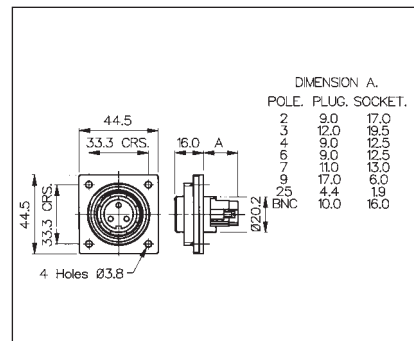
Bulkhead/ Surface Mounting

Poles	List No. Plug	List No. Socket
2	PX0757/P	PX0757/S
3	PX0756/P	PX0756/S
4	PX0761/P	PX0761/S
6	PX0758/P	PX0758/S
7	PX0760/P	PX0760/S
9*	PX0762/P	PX0762/S
25†	PX0823/P	PX0823/S
50ΩBNC**		PX0759/S/50Ω
75ΩBNC**		PX0759/S/75Ω



Low Profile Flange Mounting

Poles	List No. Plug	List No. Socket
2	PX0764/P	PX0764/S
3	PX0765/P	PX0765/S
4	PX0766/P	PX0766/S
6	PX0767/P	PX0767/S
7	PX0768/P	PX0768/S
9*	PX0769/P	PX0769/S
25†	PX0824/P	PX0824/S
50ΩBNC**		PX0763/S/50Ω
75ΩBNC**		PX0763/S/75Ω



Certificate No. FM12622



* Crimp Pins and Sockets supplied loose with Connector.

** For suitable Crimp Tool and Assembly Mandrel contact Sales Office.

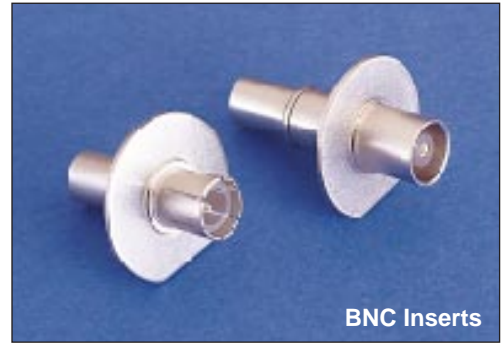
† Pins supplied in packs of 10: Crimp Pins SA3180, Crimp Sockets SA3179, Solder Pins SA3180/1, Solder Sockets SA3179/1. Insertion and Extraction Tool - use PNo13027. Crimp Tool - use PNo13170.



CONNECTORS



25 way inserts
(Assembled)



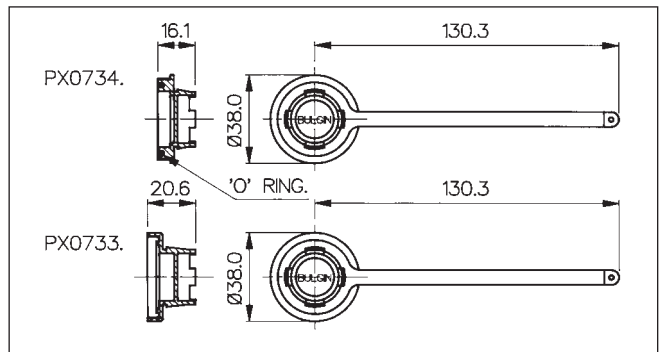
BNC Inserts



Cap Assembly Tools

PX0734
Fits Flex
Mounting
types.

PX0733
Fits all
other
types.



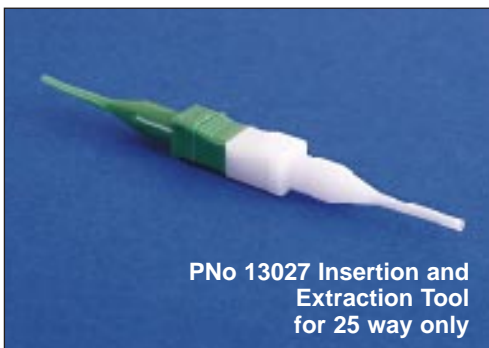
PNo. 12237 Cable Support Accessory

12237 provides additional cable support. Suitable for 5-7mm and 7-9mm cables.



Boot PNo. 12855

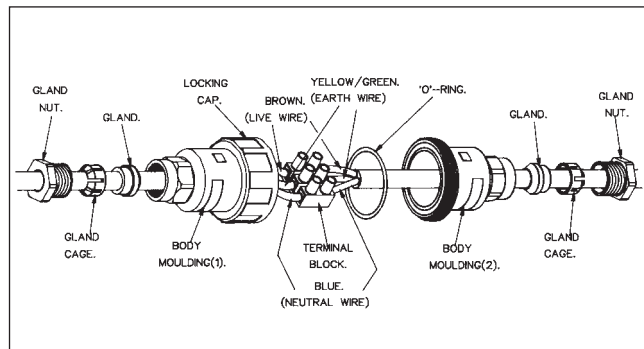
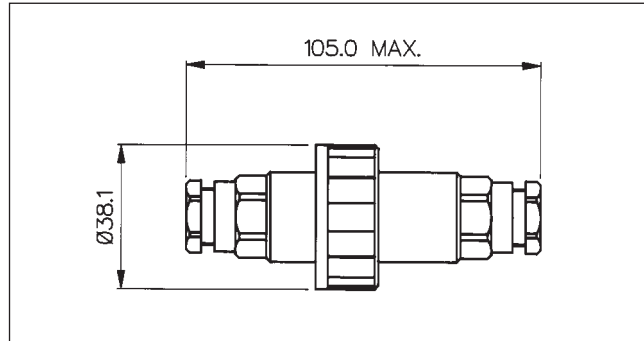
12855 for chassis mounting types only.



PNo 13027 Insertion and
Extraction Tool
for 25 way only

Cable Acceptance (2 - 25 pole)	List Nos. To Order Glands Separately
As fitted Ø 6-8mm (2 - 9 Pole)	12023 (Black)
List No./04 Ø 3.5-5mm	12023/5 (Grey)
List No./05 Ø 5-7mm	12023/1 (White)
List No./07 Ø 7-9mm (As fitted 25 Pole)	12023/2 (Yellow)
e.g. PX0731/P/07 = cable acceptance Ø 7-9mm	

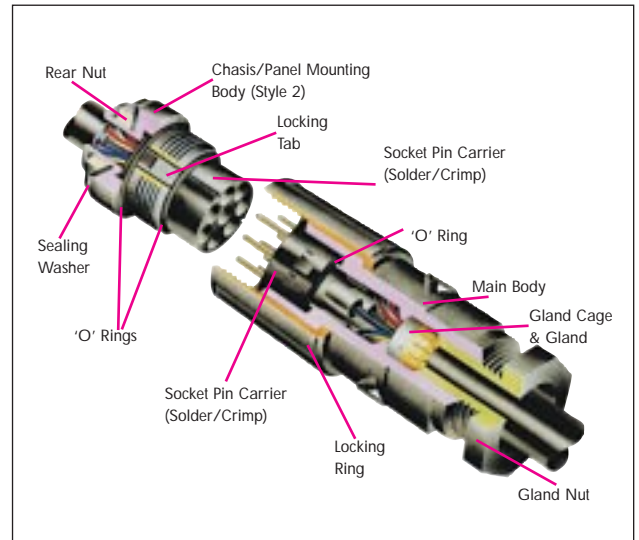




Data	
Rating:	6A, 250V a.c.
Wire Termination:	3 way terminal block.
Cable Acceptance:	6-8mm Overall Diameter Standard. 3.5 - 5mm, 5 - 7mm & 7 - 9mm Overall diameter optional.
Sealing:	IP68 to BS60529 : 1977
Operating Temp. Range:	-20°C to +70°C.
Colour:	Black Orange (Add /OR to List No.)
BNC Cable Types:	50 ohm - RG58/CU, URM43 & URM76, For BNC version of PX0777 add /50 ohm to List No.

Cable Acceptance	List Nos. To Order Glands Separately
As Fitted Ø 6-8mm	12023 (Black)
List No. /04 Ø 3.5 - 5 mm	12023/5 (Grey)
List No. /05 Ø 5 - 7 mm	12023/1 (White)
List No. /07 Ø 7 - 9 mm	12023/2 (Yellow)
E.g. PX0777/07 = Cable Acceptance Ø 7-9mm	





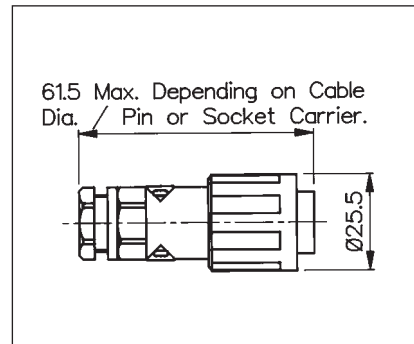
Data		
Rating:	Solder & Crimp Contacts : 5A. 380V a.c.	Screw Term: 10A. 250V a.c.
Contact Resistance:	< 5mΩ.	
Insulation Resistance:	>10 ⁶ M Ω @ 500V d.c.	
Voltage Proof:	2kV @ 50Hz	
Operating Temp. Range:	-20°C to +70°C	
Sealing:	IP 68 BS EN60529 : 1992 (Protection Classification).	
Materials	Body Mouldings, Carriers, Nylon UL94V-0. Contacts: Copper Alloy, Gold Plated (0.1µm) on Nickel. B.N.C. types: Brass, Silver Plated.	Screw Terminal Contacts: Brass, Nickel Plated.
Cable Acceptance	5 - 7mm Overall dia Standard 3.5 - 5mm Overall dia Optional 6 - 8 mm Overall dia Optional 7 - 9mm Overall dia Optional	
Conductors:	Solder & Crimp: 0.2 - 0.5mm ² (20 - 24 AWG), 50Ω - RG58/CU BNC URM43 BNC URM76 BNC 75Ω - URM70 BNC	Screw Terminal: 1mm ² Max (18 AWG)
Insertion Force (typical):	Solder and crimp contacts: 3 Way - 0.5kgf (1.1lbf) 8 Way - 1.4kgf (3.1lbf)	Screw Terminals: 10lbf (44.4N)
Withdrawal Force (typical):	Solder and crimp contacts: 3 Way - 0.5kgf (1.1lbf) 8 Way - 1.2kgf (2.6lbf)	Screw Terminals: 7lbf (31N)
Tightening Torques	Gland nut: 0.23Nm min. 0.45Nm max. (2lbf. in. min, 4lbf. in. max.) Rear nuts: 0.7Nm min. 1.7Nm max. (6.2lbf. in. min, 15lbf. in. max.) Sealing Caps/Locking Ring: 0.23Nm min, 1.13Nm max. (2lbf. in. min, 10lbf. in. max.)	





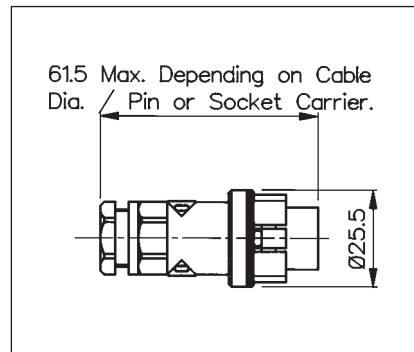
Flex Mounting Body

PX0800	
Contact Carriers	See Page 20
Contacts	See Page 20
Sealing Glands	For 5-7mm. dia. Cable. For other sizes see page 20.



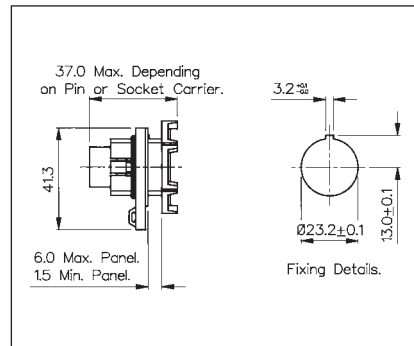
Flex Mounting In-Line Body

PX0801	
Contact Carriers	See Page 20
Contacts	See Page 20
Sealing Glands	For 5-7mm. dia. Cable. For other sizes see Page 20.



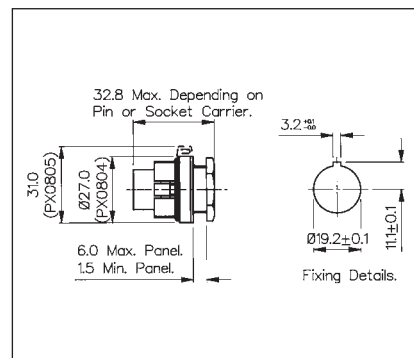
Panel/Chassis Mounting Body

PX0802	
Contact Carriers	See Page 20
Contacts	See Page 20



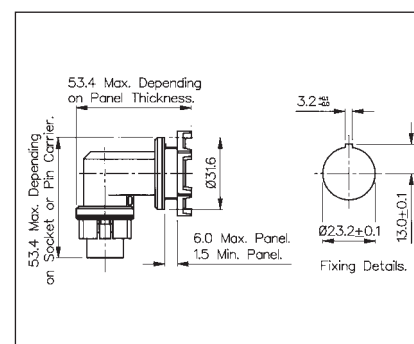
Panel/Chassis Mounting Body

PX0804, PX0805	
Contact Carriers	See Page 20
Contacts	See Page 20
PX0804	without cap retainer
PX0804	without cap retainer



Panel/Chassis Mounting Side Entry Body

PX0803	
Contact Carriers	See Page 20
Contacts	See Page 20
Note: Not available as BNC Type	





Screw Terminals

Screw Terminal (10A)		
Ways	Socket	Plug
3 way	SA 3229	SA3230



Carriers shown fitted with contacts

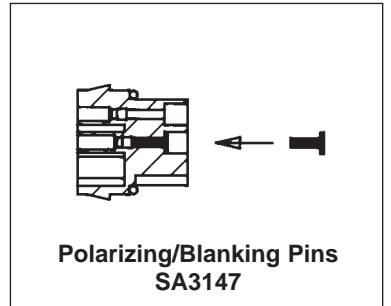
Contact Carriers		
Pole	Solder	Crimp
8 pin	12734/1 (Black)	12734 (Grey)
8 skt	12735/1 (Black)	12735 (Grey)
3 pin	12734/3/1 (Black)	12734/3 (Grey)
3 skt	12735/3/1 (Black)	12735/3 (Grey)



Contacts, Polarising/Blanking Pins

Contacts, Solder & Crimp		
Contacts	Solder	Crimp
Pins	SA3148/1	SA3148
Sockets	SA3149/1	SA3149
Polarising/Blanking Pins SA3147		
Contact Insertion Tool SA 3150 must be used to insert contacts into carrier.		
Crimping Tool SA2800		

- ### How To Order
- 1) Body Type.
 - 2) Contact Carrier (Pin or Socket - Solder or Crimp), Contact Carrier 3 Way or BNC.
 - 3) Pins or Sockets (Solder or Crimp). Supplied in packs of ten.
 - 4) Sealing Cap (if required)
 - 5) Polarising/Blanking Pins (if required). Supplied in packs of ten.
 - 6) Contact Insertion Tool (if required).
 - 7) Crimping Tool (if required).



BNC (Assembled)

BNC		
Imp.	Contacts	List No.
50Ω	Plug	SA3159/1
50Ω	Socket	SA3157/1
75Ω	Plug	SA3159
75Ω	Socket	SA3157



Sealing Caps

