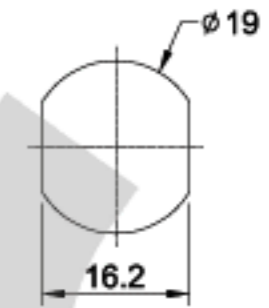
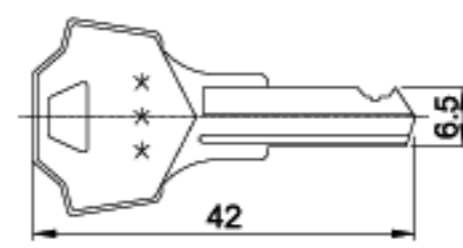
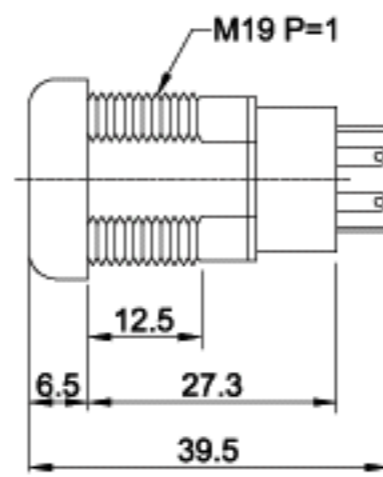


( Various types for optional )



**S215-E**

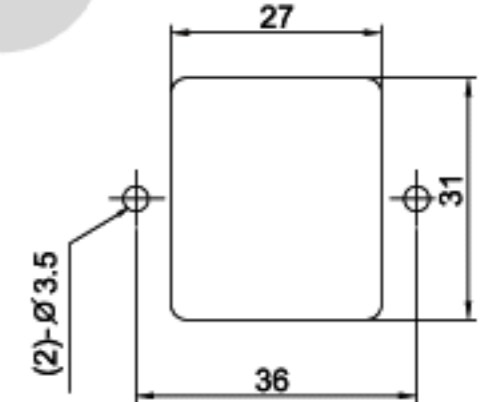
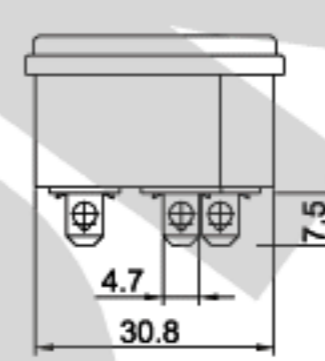
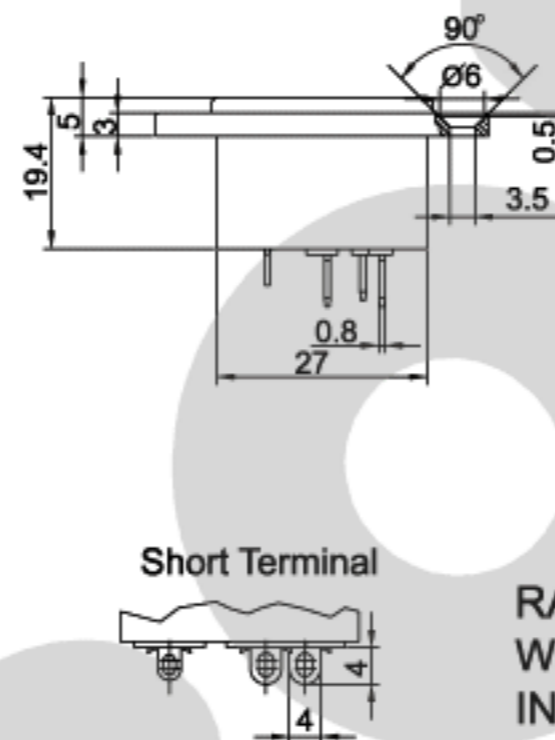
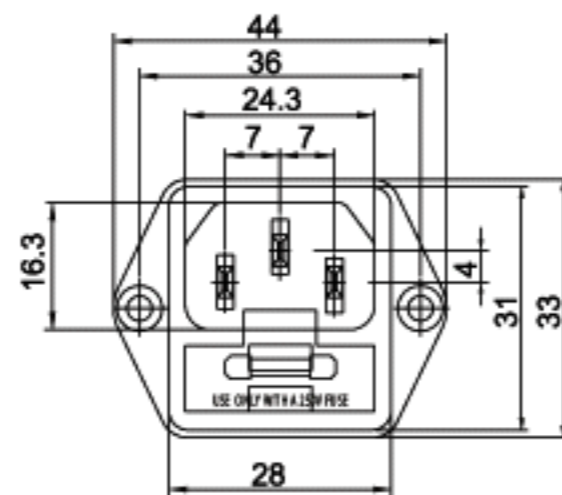


LOCK : Bright Nickel plated Zinc alloy with Nickel facing.  
 (Black & polished chrome facing available)  
 TUMBLER MECHANISM : 4-disc tumbler cylinder.  
 KEYS : Brass with code no.  
 CONTACTS : Silver plated Cu.  
 TERMINALS : Gold plated Cu.  
 CONTACT SPRING : Piano wire.

( Socket with fuse holder ) ※ W/O Fuse



**JR-101-1F**

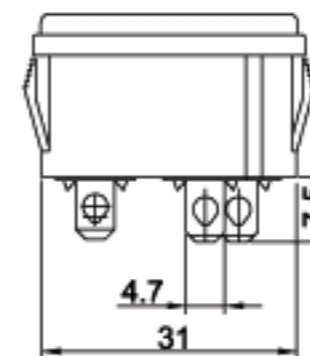
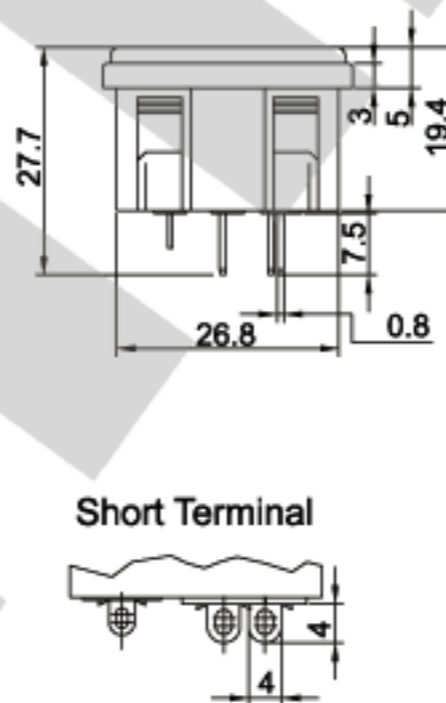
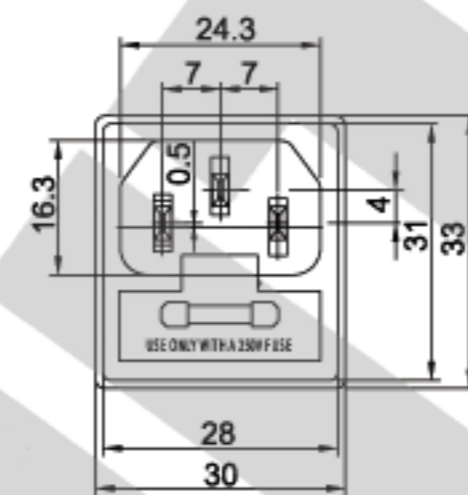


RATING : 10A 250V AC.  
 WITHSTAND VOLTAGE : 2000V AC for 1 minute.  
 INSULATION RESISTANCE : >100M $\Omega$ . at 500V DC  
 OPERATING TEMPERATURE : -25 $^{\circ}$ C to +85 $^{\circ}$ C Max.

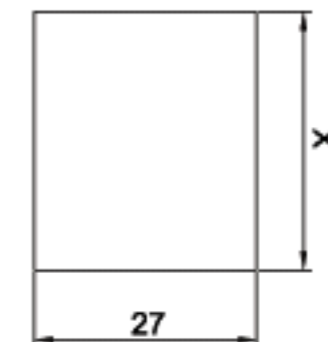
( Socket with fuse holder ) ※ W/O Fuse



**JR-101-1FS**



MOUNTING HOLE  
 PANET THICK : 0.8-2.0mm



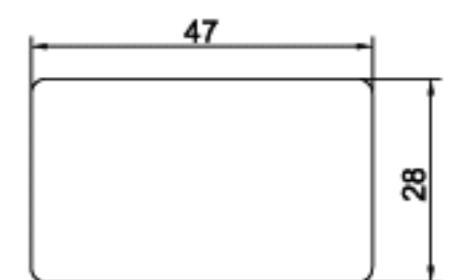
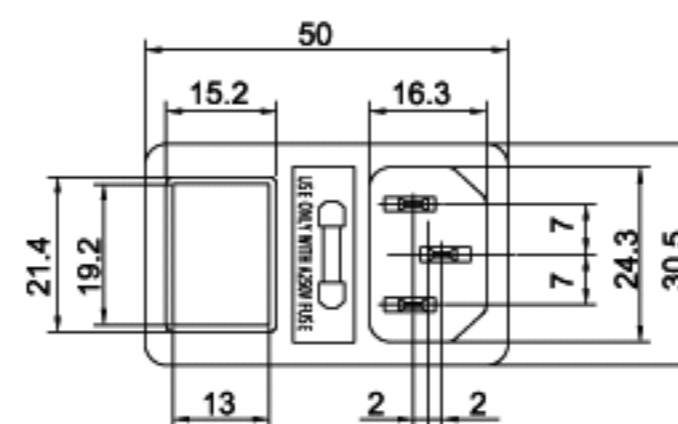
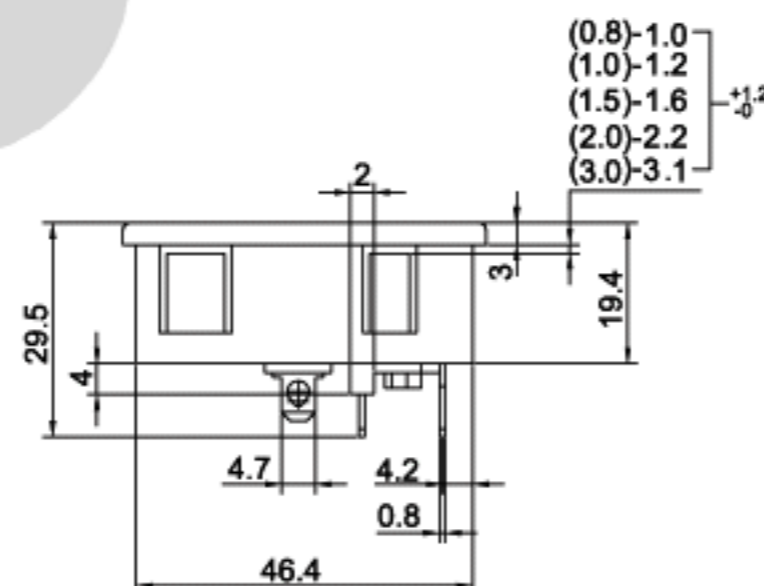
THICKNESS:  
 0.8-1.2t (X=31.4)  
 1.3-2.0t (X=31.6)

RATING : 10A 250V AC.  
 WITHSTAND VOLTAGE : 2000V AC for 1 minute.  
 INSULATION RESISTANCE : >100M $\Omega$ . at 500V DC  
 OPERATING TEMPERATURE : -25 $^{\circ}$ C to +85 $^{\circ}$ C Max.

( Socket with switch & fuse holder ) ※ W/O Fuse 、 W/O Switch (S/W Pls see P.B1, B2, B3 optional)



**JR-101-1FRS**



RATING : 10A 250V AC.  
 WITHSTAND VOLTAGE : 2000V AC for 1 minute.  
 INSULATION RESISTANCE : >100M $\Omega$ . at 500V DC