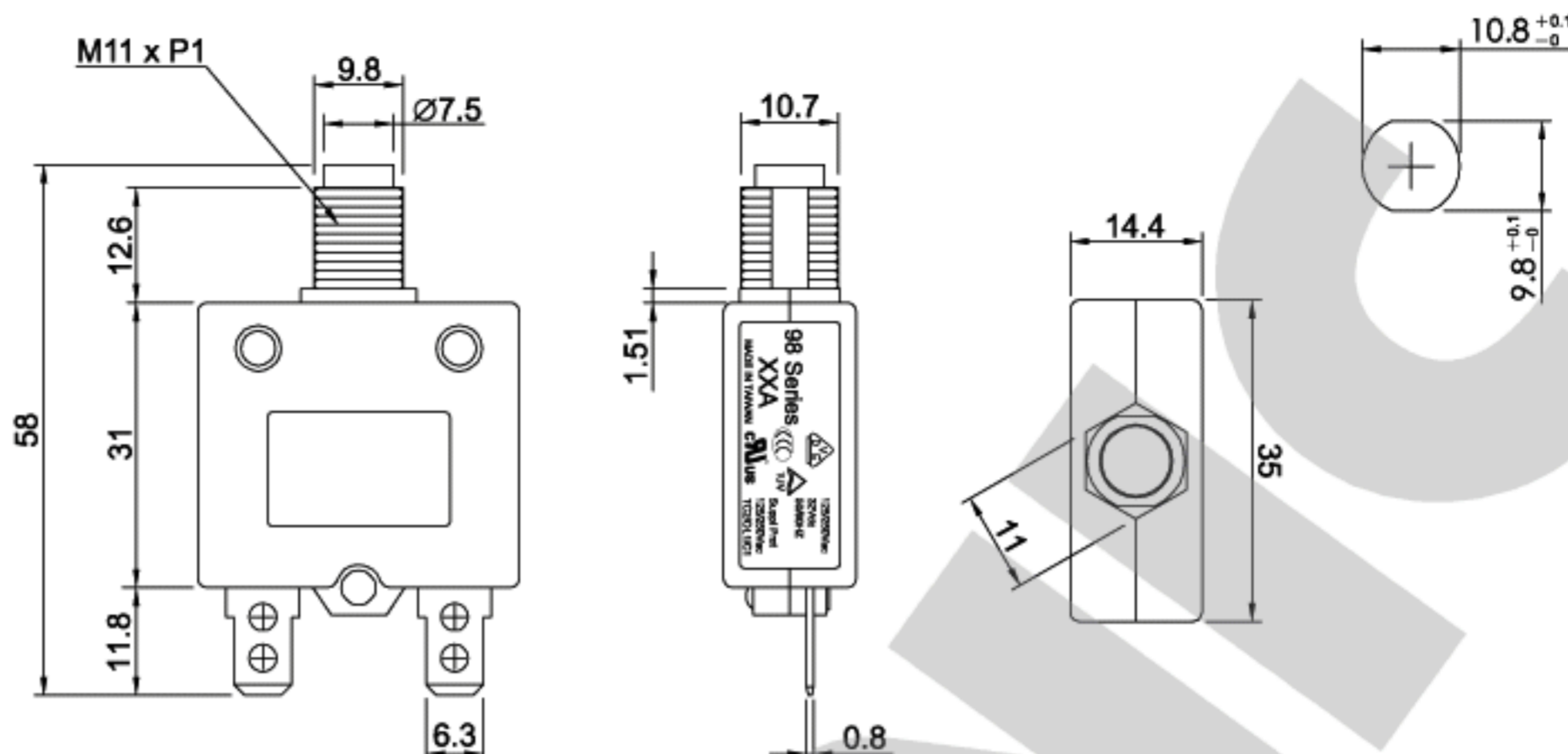


98 SERIES



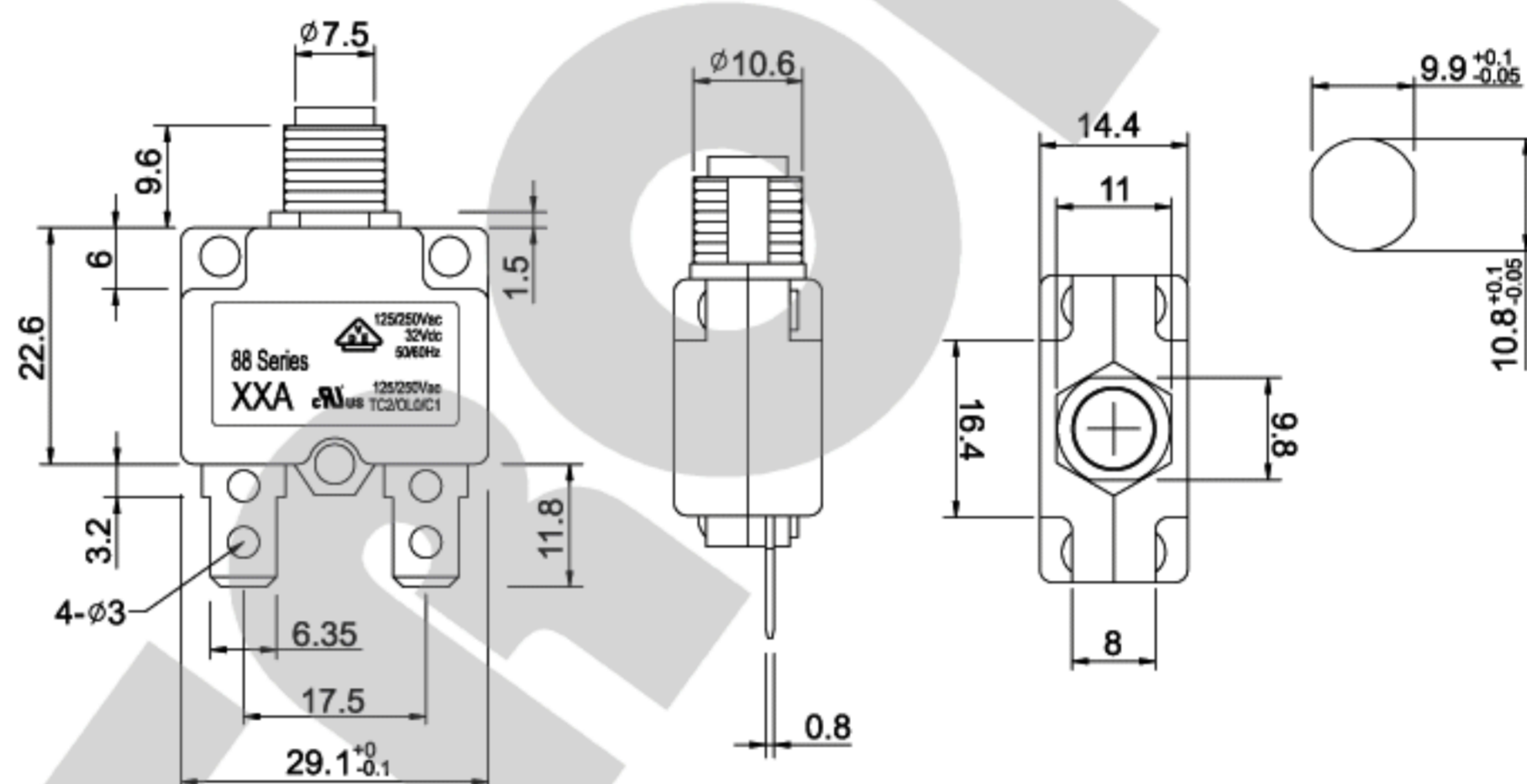
9803 : 3A 125/250V AC
 9804 : 4A 125/250V AC
 9835 : 35A 125/250V AC
 9840 : 40A 125/250V AC



88 SERIES



8803 : 3A 125/250V AC
 8804 : 4A 125/250V AC
 8819 : 19A 125/250V AC
 8820 : 20A 125/250V AC

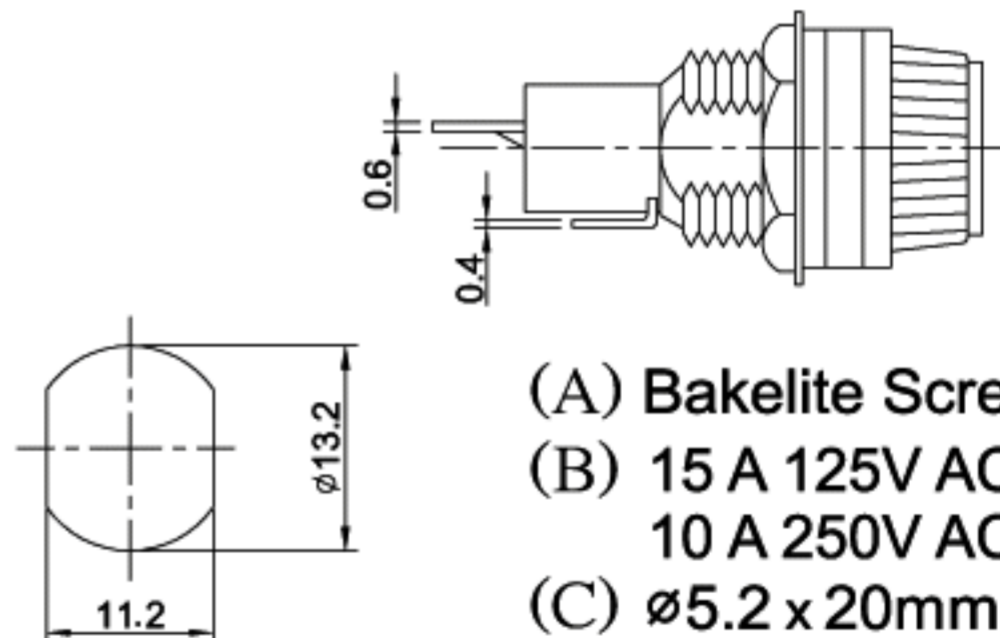
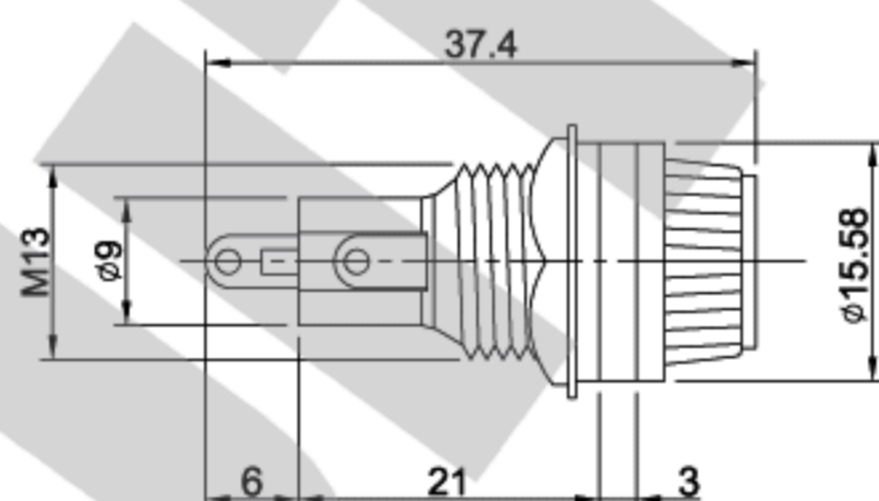


FS 20, 30 FUSE HOLDER

R3-12



FS-20

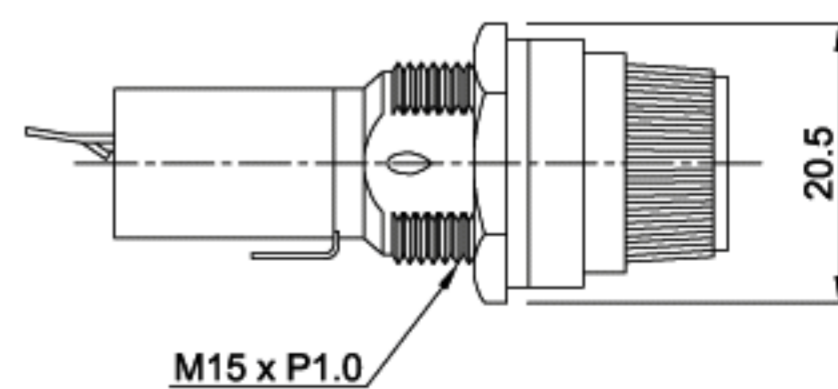
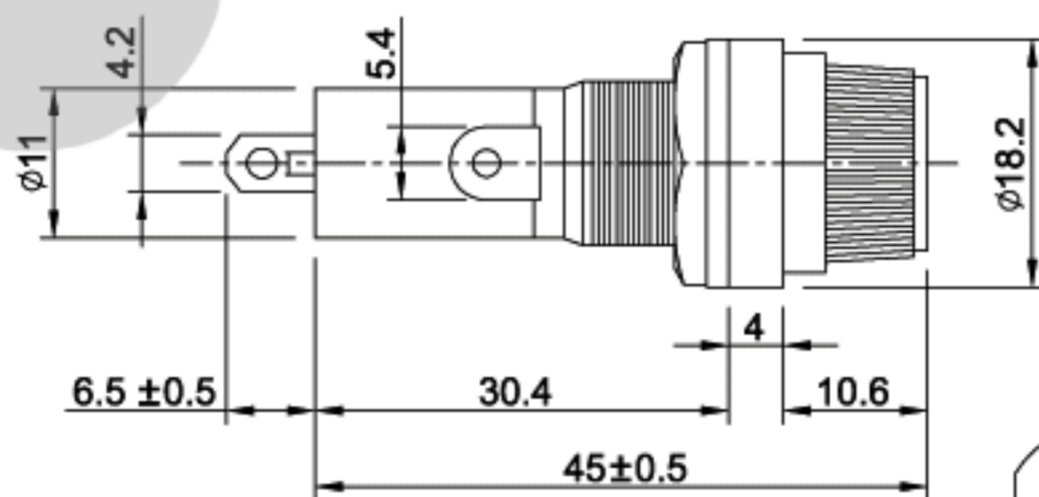


(A) Bakelite Screw Type
 (B) 15 A 125V AC
 10 A 250V AC
 (C) $\varnothing 5.2 \times 20$ mm Fuse

R3-13



FS-30



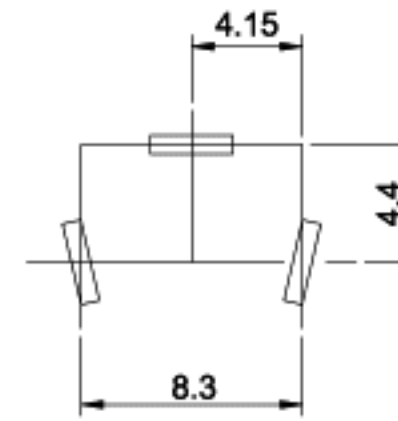
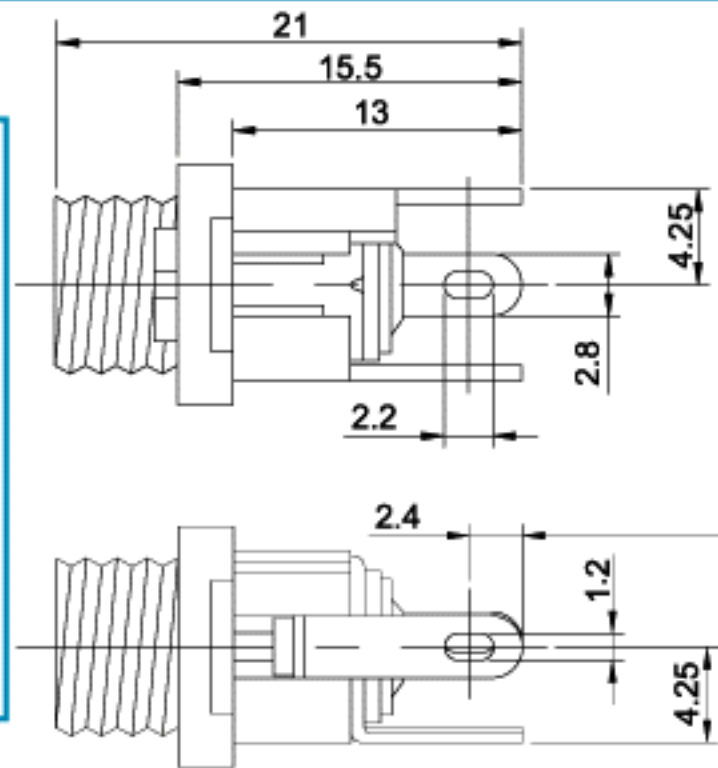
(A) Bakelite Screw Type
 (B) 15 A 125V AC
 10 A 250V AC
 (C) $\varnothing 6.3 \times 30$ mm Fuse

ST, DS Series DC Power Jack, Phone Jack

DC Power Jack

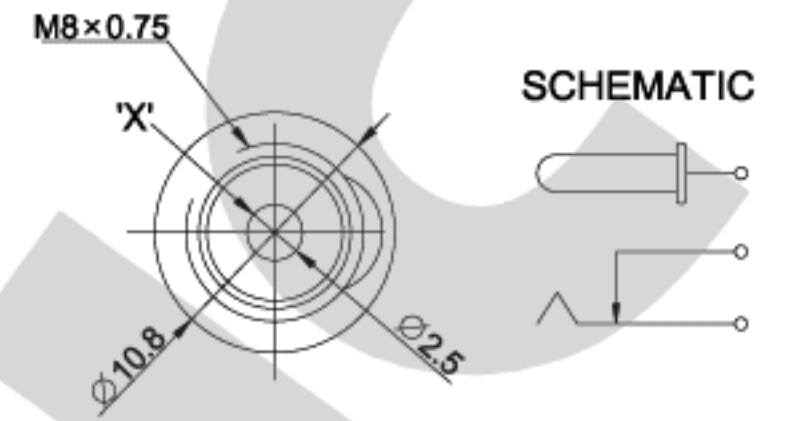


DS-026



Rating: 0.3A 30V DC
Optional Accessory: AZ-003 AZ-007

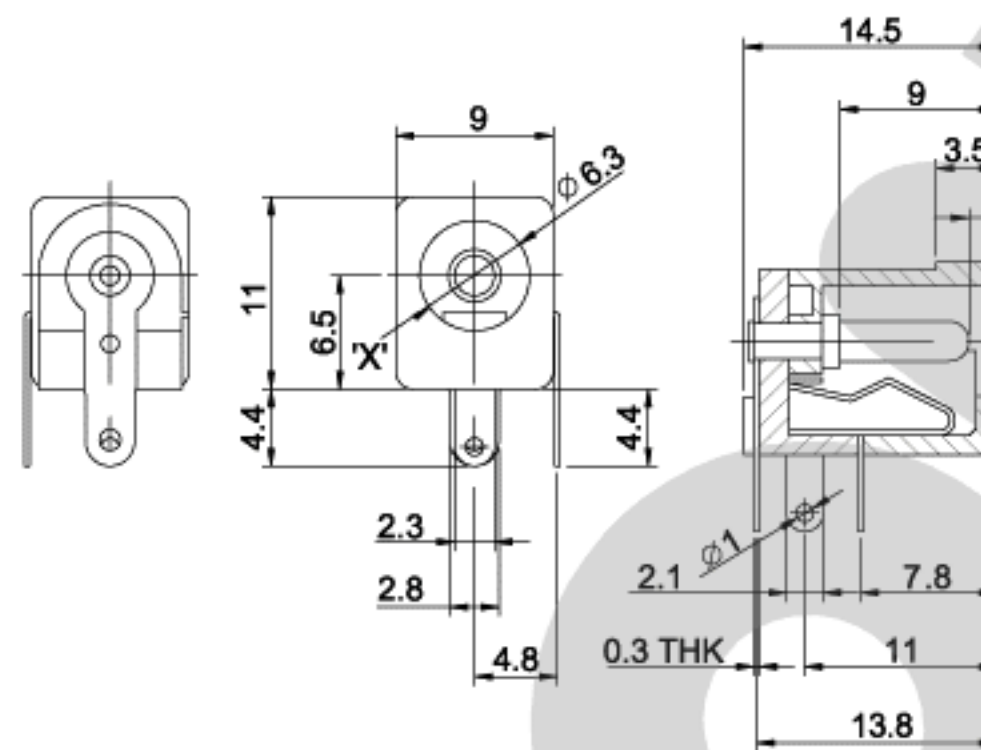
DIA. OF PIN 'X' A=2.5 MM
DIA. OF PIN 'X' B=2.0 MM
DIA. OF PIN 'X' C=2.35MM



DC Power Jack

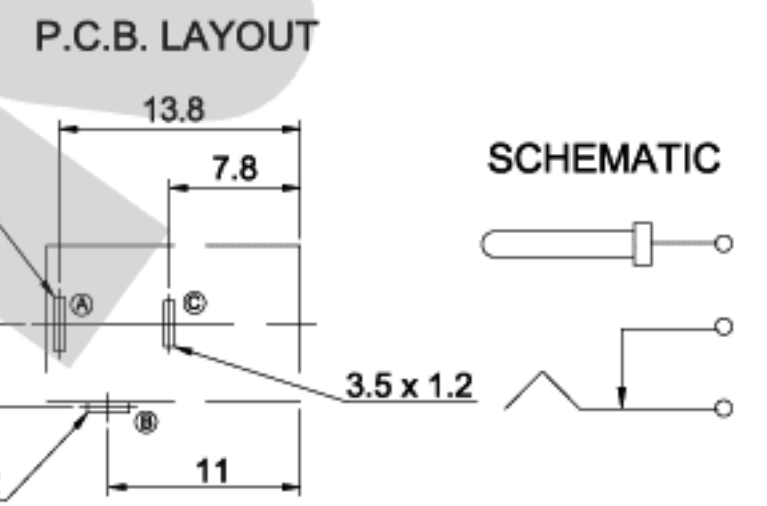


DS-210



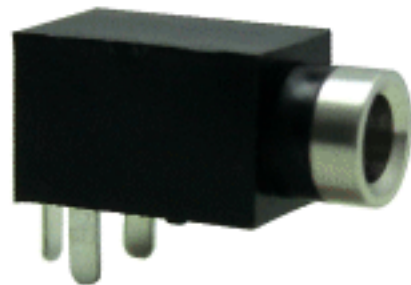
Rating: 0.3A 30V DC

DIA. OF PIN 'X' A=2.5 MM
DIA. OF PIN 'X' B=2.0 MM
DIA. OF PIN 'X' C=2.35MM

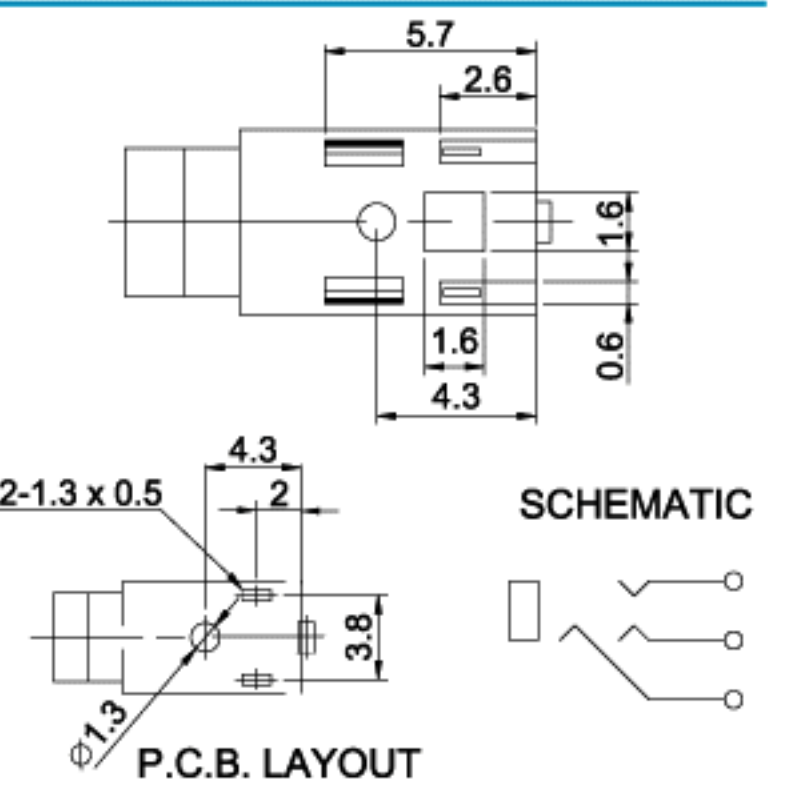
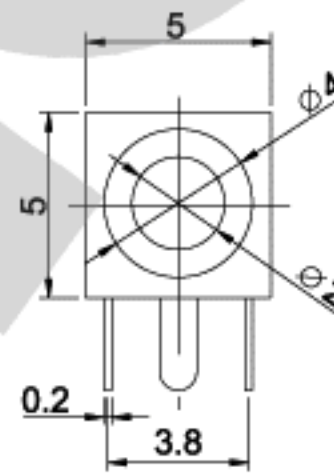
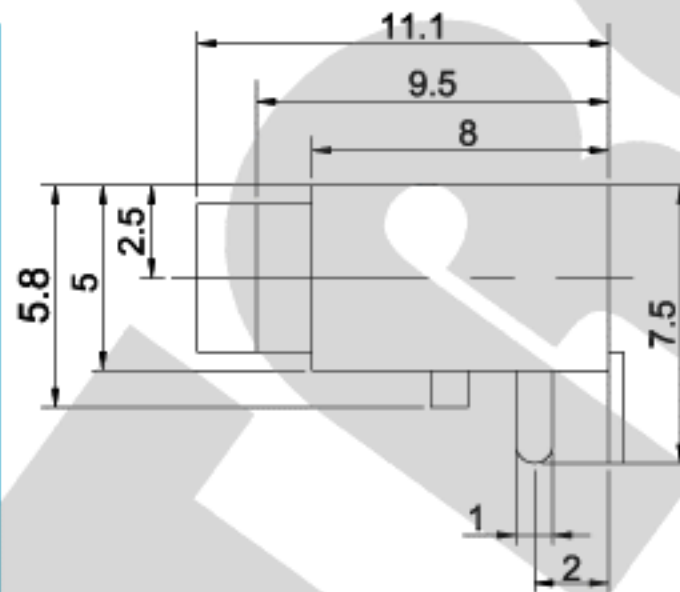


Phone Jack

Function: MONO

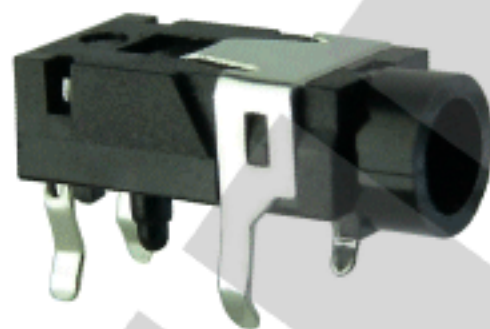


ST-002

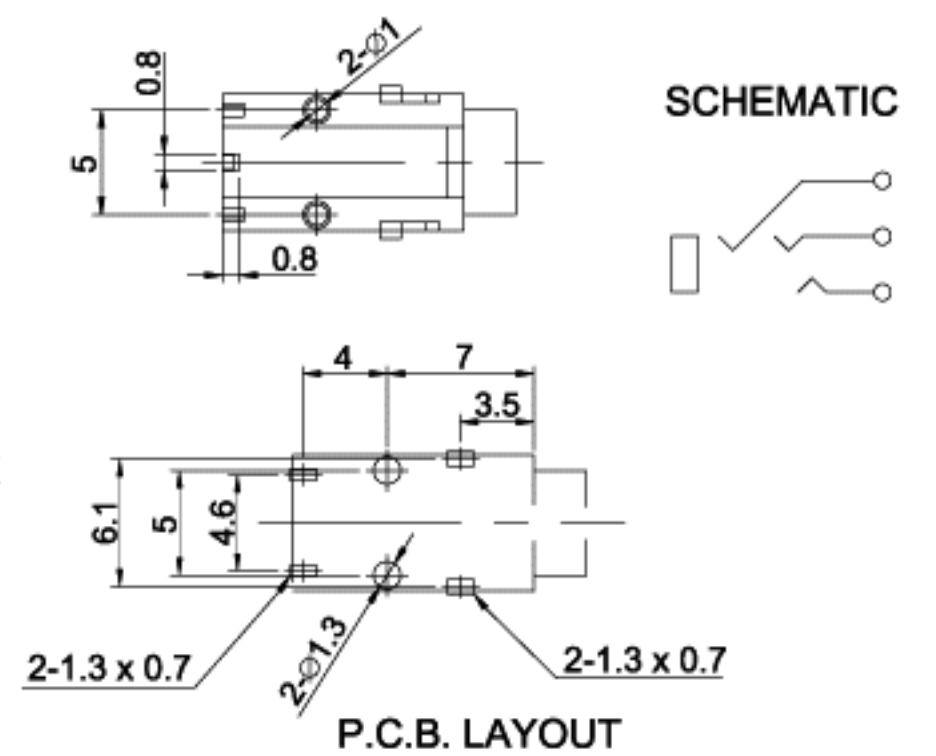
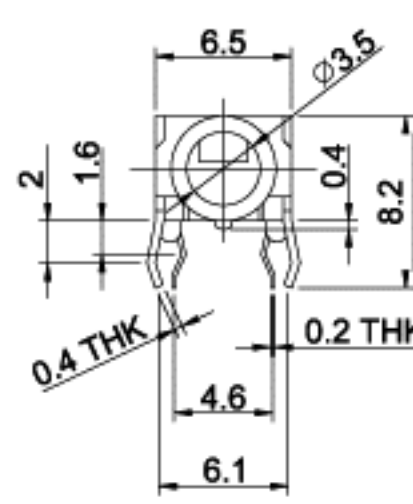
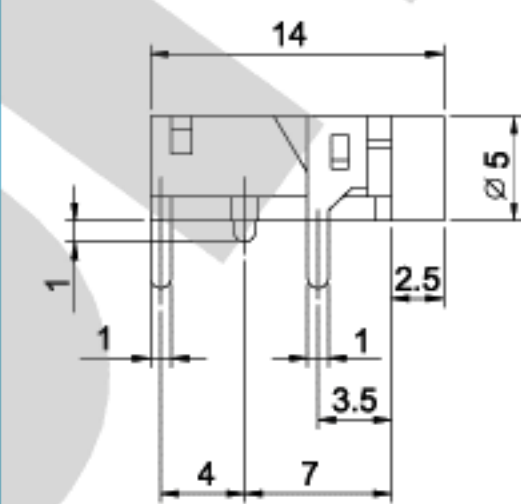


Phone Jack

Function: STEREO



ST-005



SMD Phone Jack

Function: STEREO



ST-202

