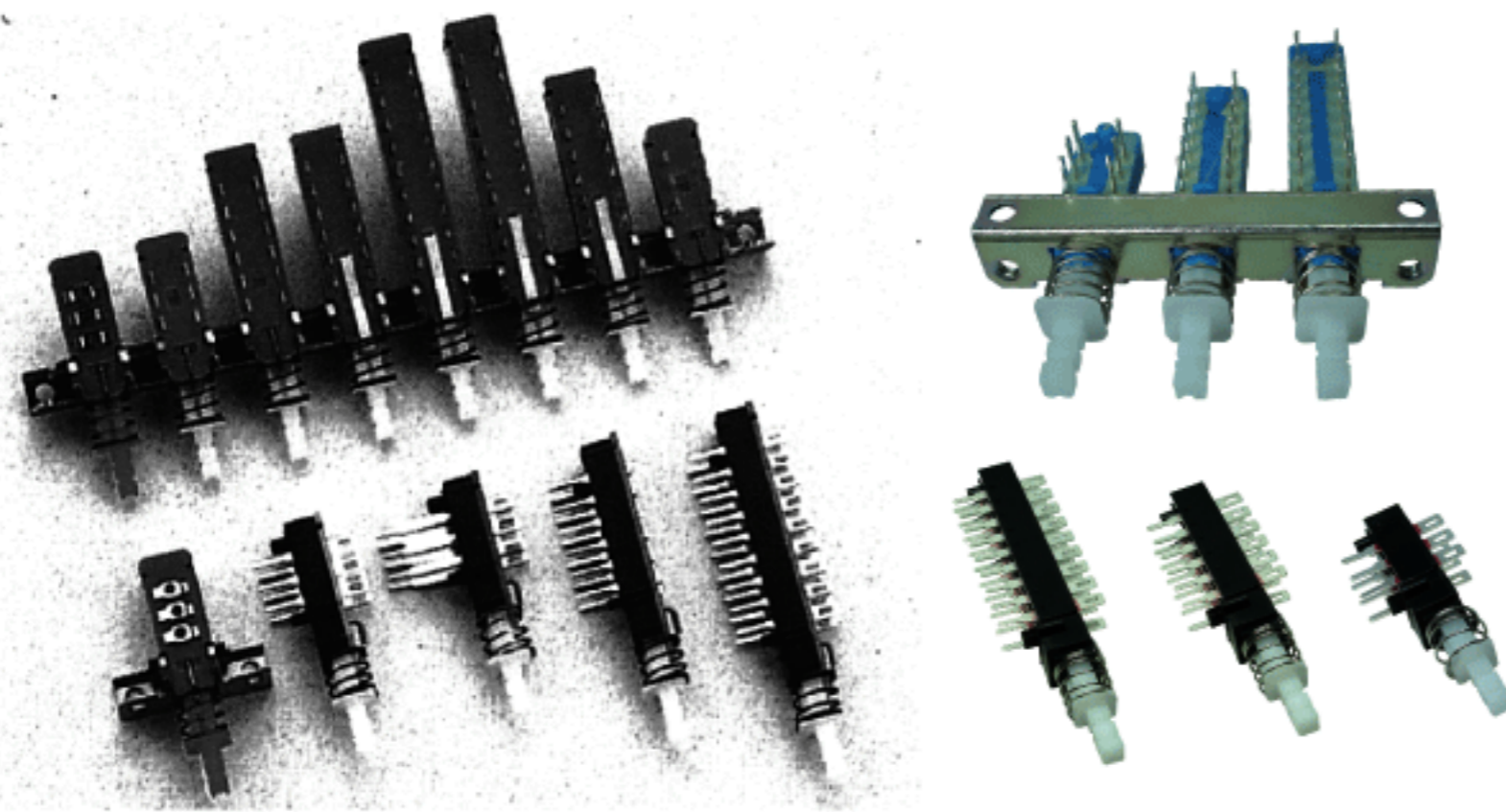


P10 Series Push Switches (Multiple Keys)

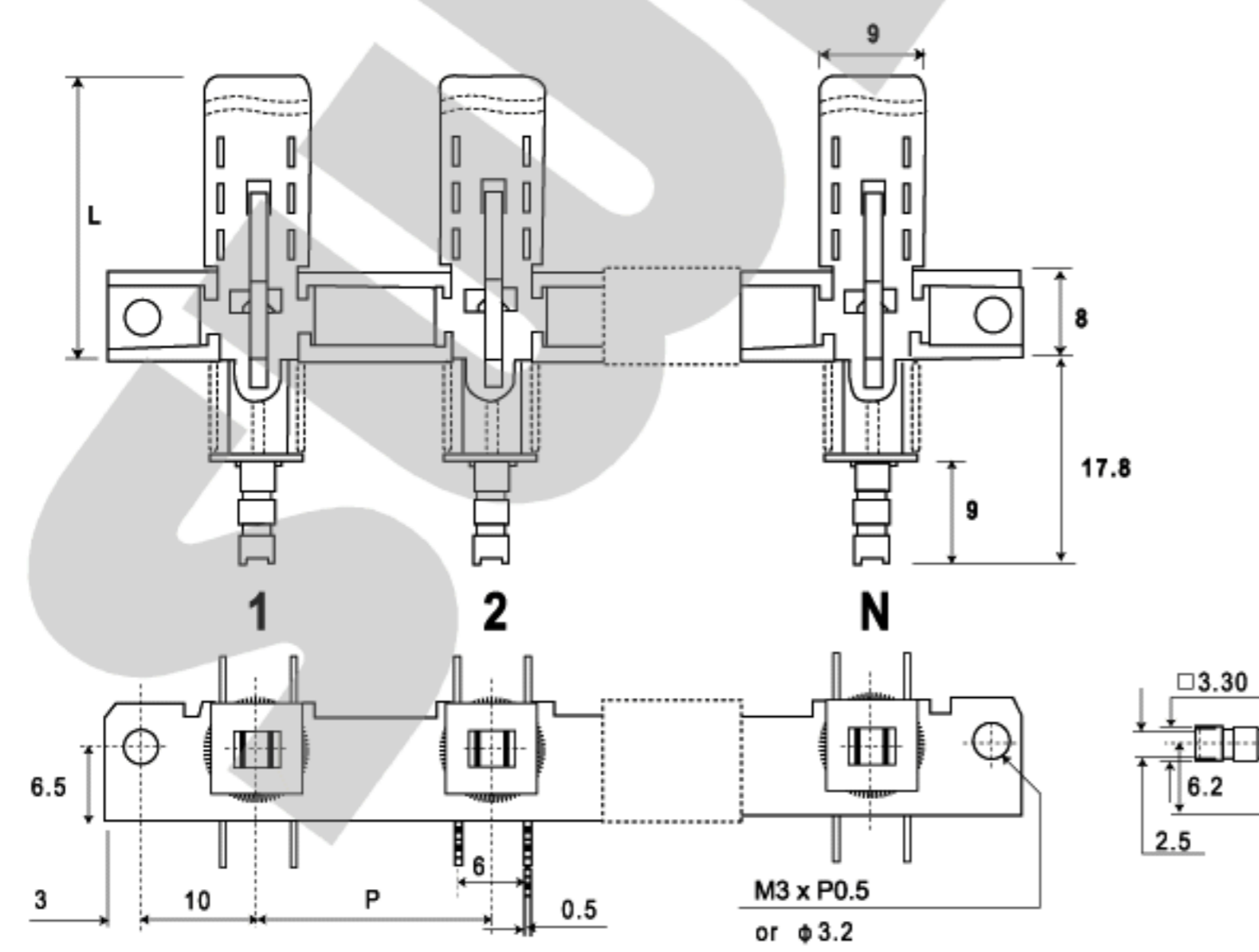
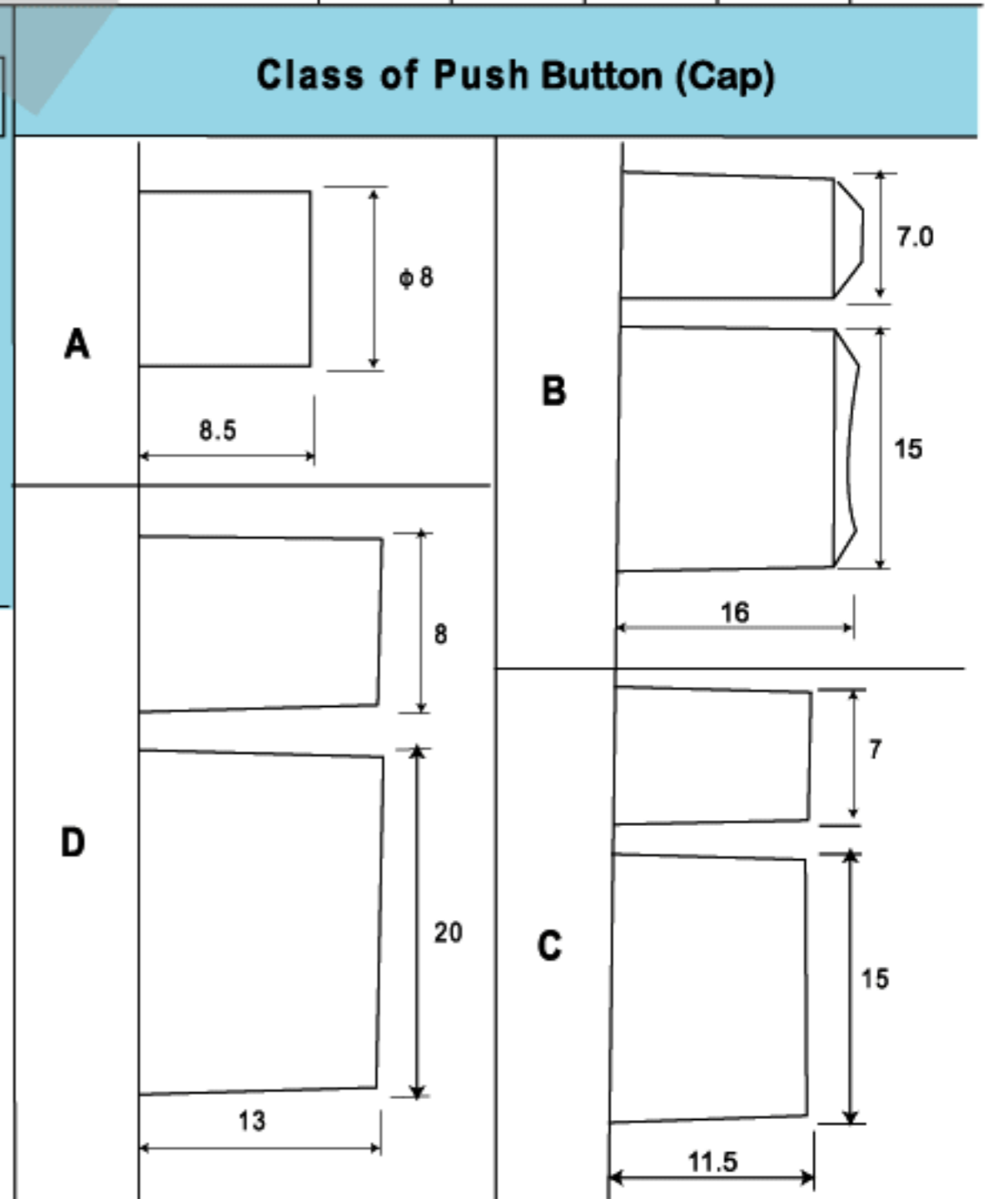
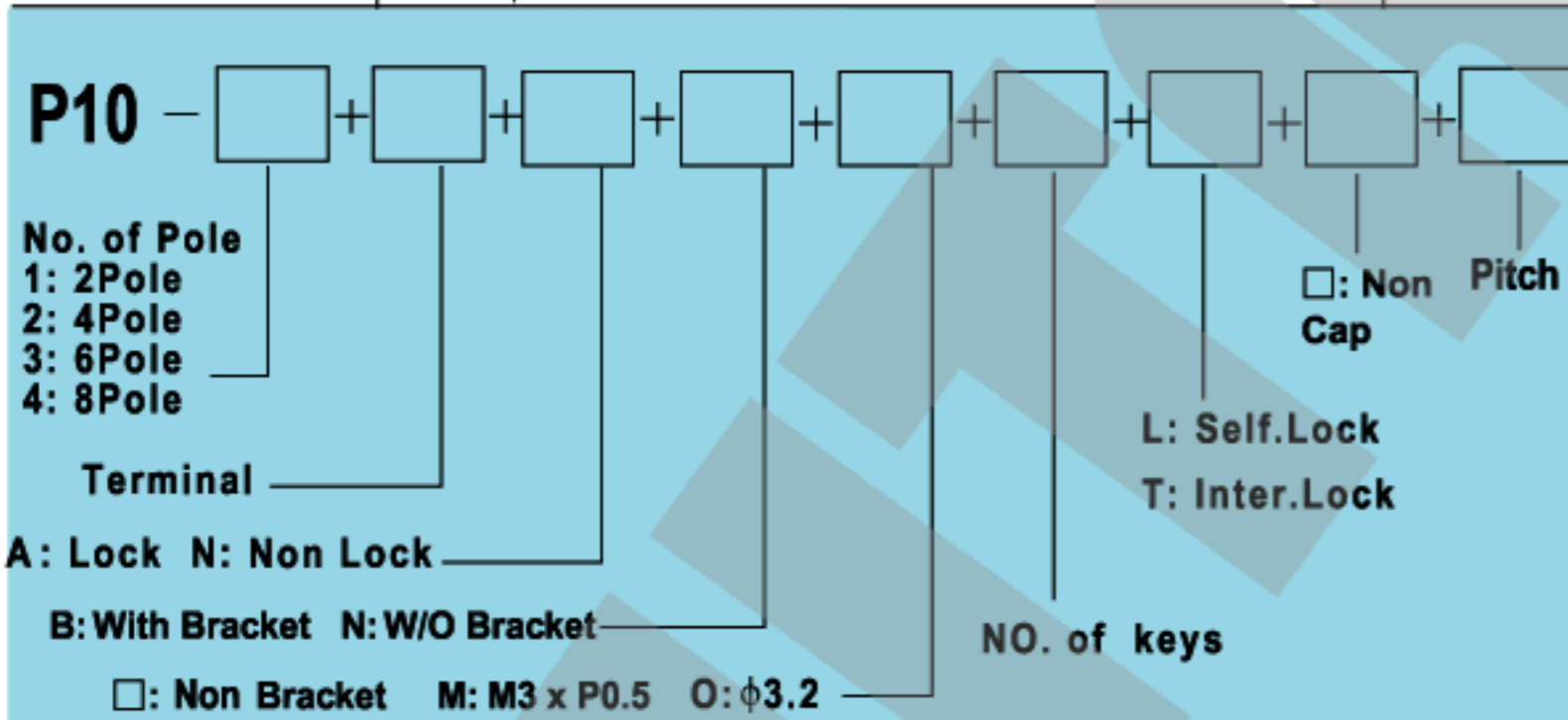
LICO



SPECIFICATION

RATING	: 0.5A 30V DC.
CONTACT RESISTANCE	: 30mΩ Max.
INSULATION RESISTANCE	: 100MΩ at 500V DC.
WITHSTAND VOLTAGE	: 500V AC for 1 minute.
OPERATING FORCE	: A-300±100g, B-200±100g.
LIFE	: 10,000 Cycles.

TERMINAL STYLE								P.C.B. HOLE DETAIL				
PART NO.	A	B	C	D	E	F	G					
SPECIFICATION												
	H=	9	13	16	14	18	21	24.5				
SCHEMATIC								Circuit Poles				
								2	4	6	8	10
							L=	24.5	36.5	48.5	60.5	72.5



TYPE	P(Pitch)
A	10
B	12.5
C	15
D	17.5
E	20