

### SPECIFICATION:

Rating: 10mA 24V DC.  
 Contact resistance: 0.5Ω Max. (measured at 45° tilt) (initial)  
 Differential angle: 30° Max.  
 Operating temperature: 0°C ~ 85°C.  
 Electrical life: 100,000 Cycles Min.  
 Soldering process: Recommend by manual soldering,  
 not proper for wave soldering.

### MATERIAL:

Frame: Copper alloy, Silver plated.  
 Ball: Copper alloy, Silver plated.  
 Isolation base: PBT.  
 Wire: Alloy wire, Silver or Tin plated.

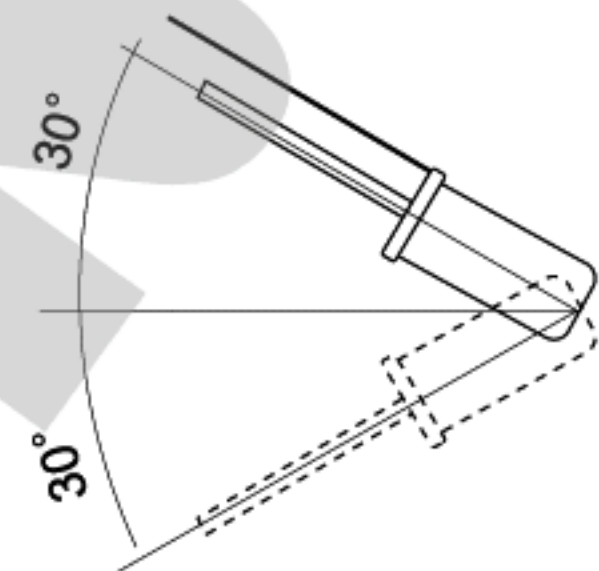
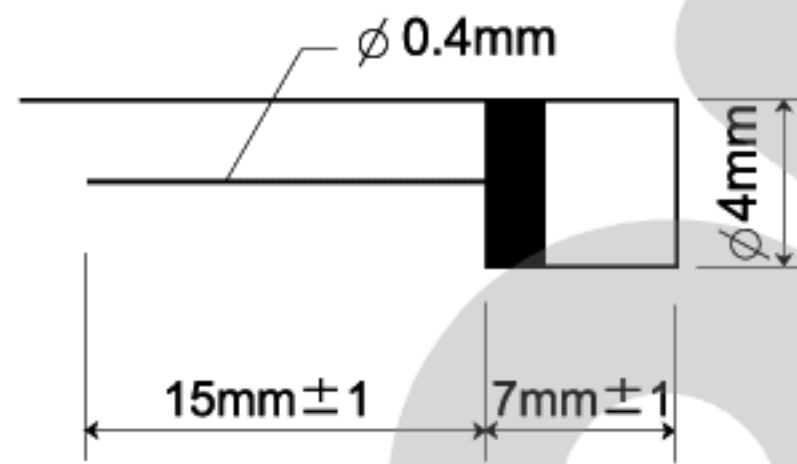
### APPLICATION:

Toys, alarms for motor-cars and motorcycles vibrating sensors, meters for sports, lamps on shoes, etc.  
 BT for vibration switches is sensitive to triggering, according to the environment protection requirement.  
 Can be activated in a small range. Durable.  
 Can be used in low current and low voltage.

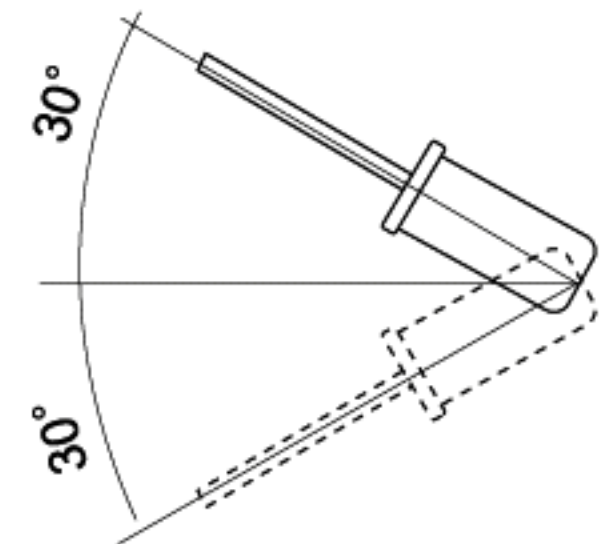
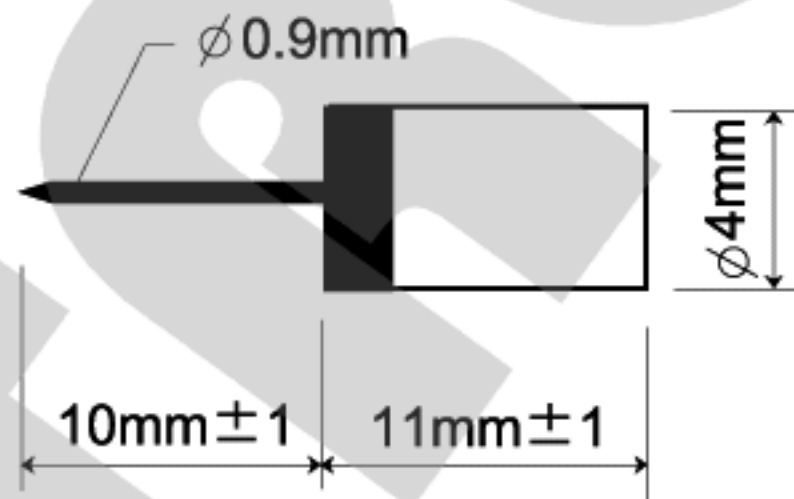
### NOTE:

- 1: Unwashable, don't be immersed by epoxy and organic solvent.
- 2: The switch will be activated and function out when the switch had a shock or vibration force on it.
- 3: If the switch move very slowly (without any vibration or shock), the contact resistance maybe increased due to the rolling balls are very light.

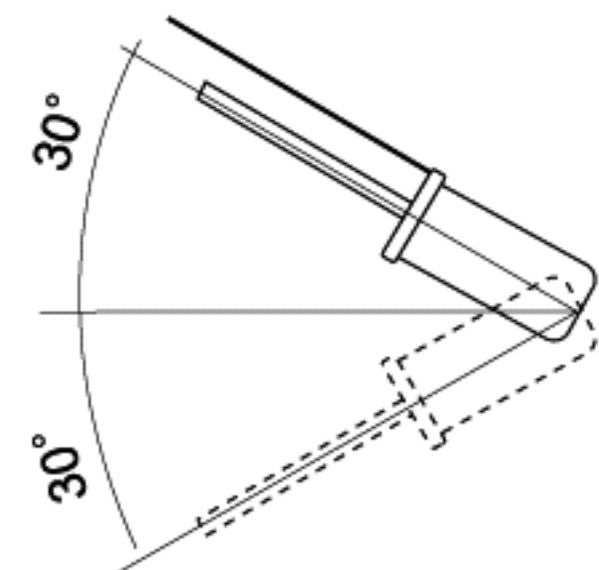
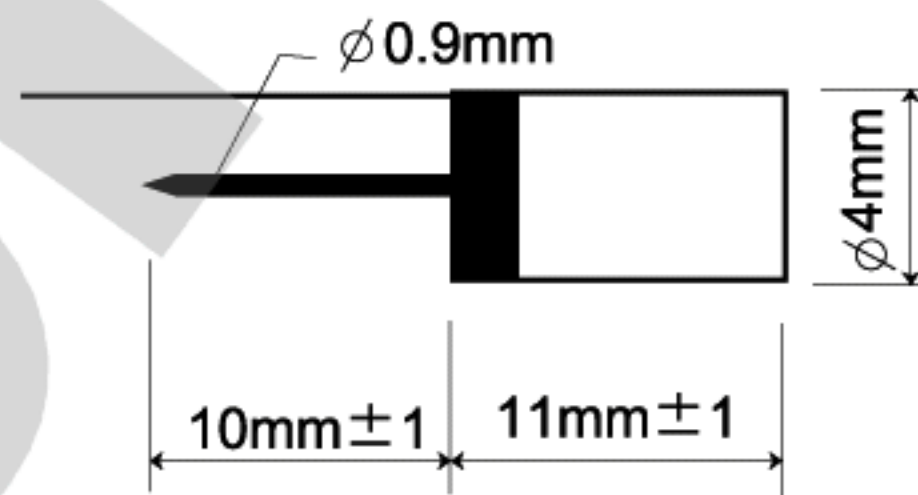
#### Silver shell coating



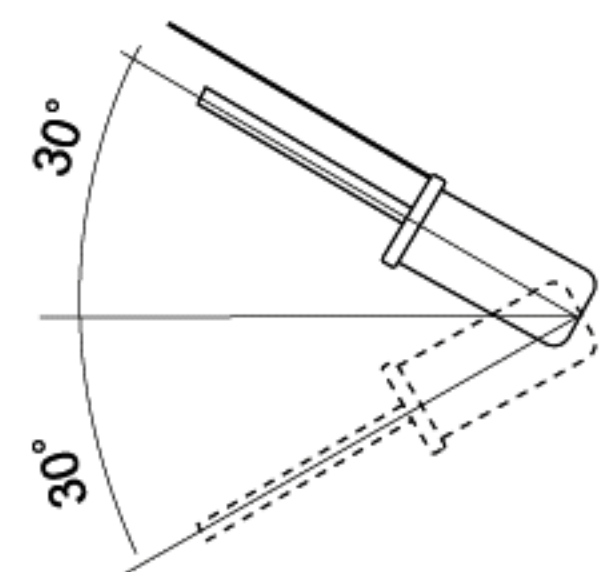
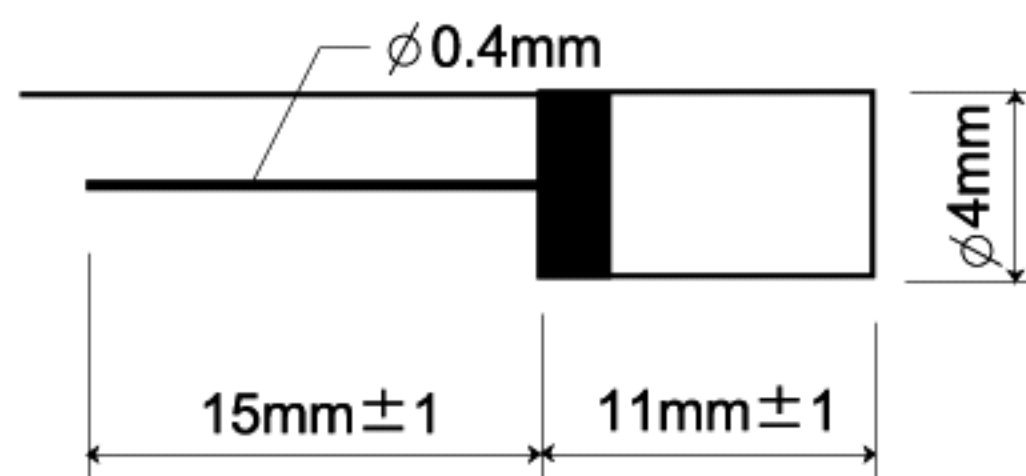
#### Silver shell coating



#### Silver shell coating

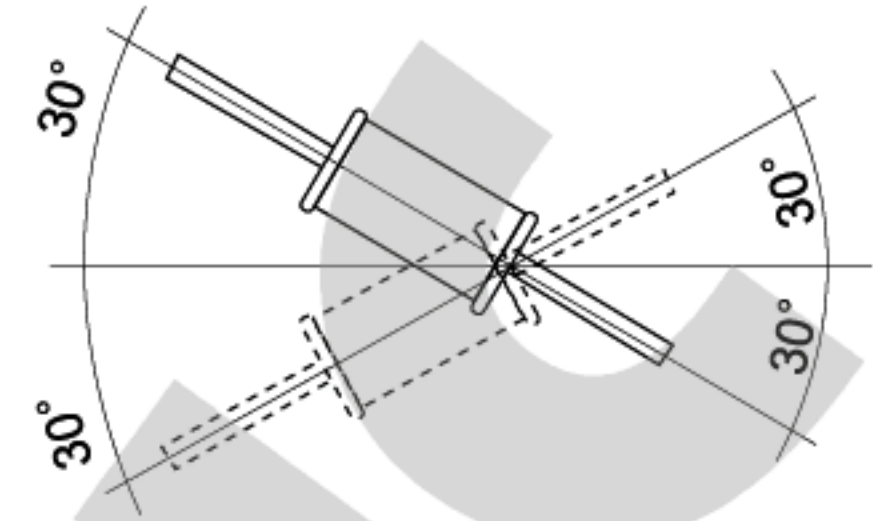
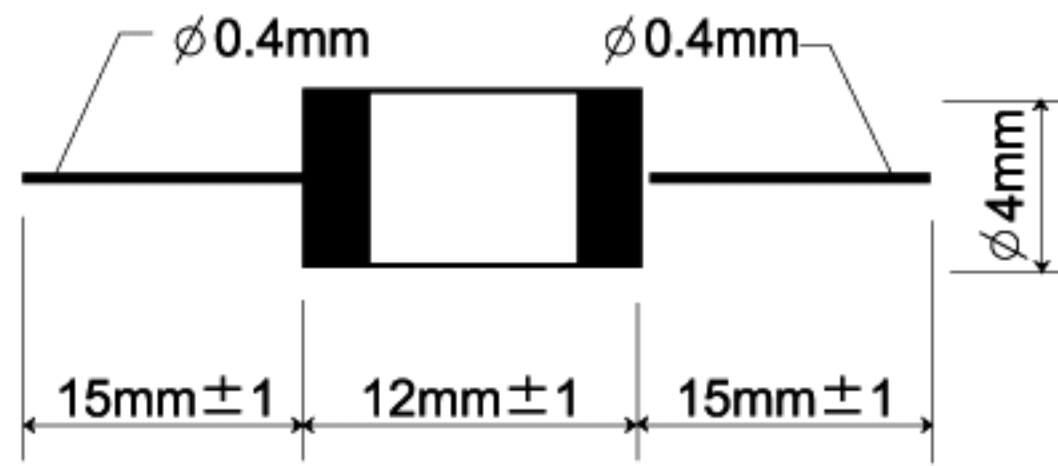


#### Silver shell coating



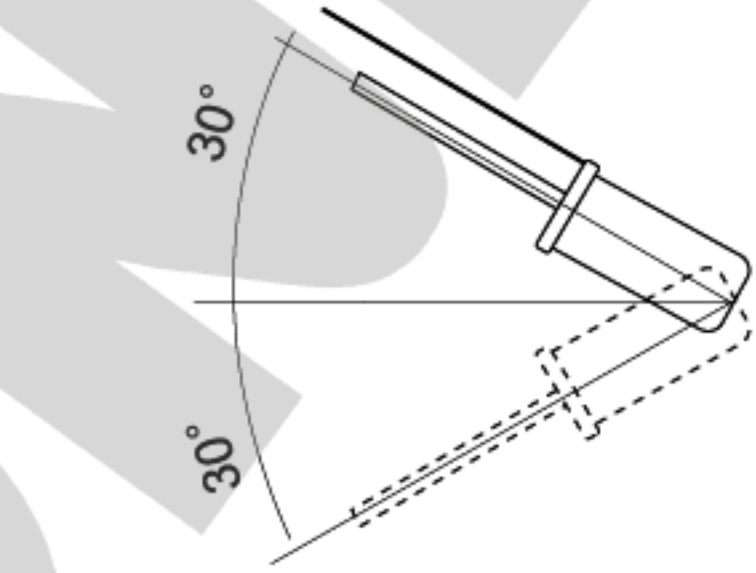
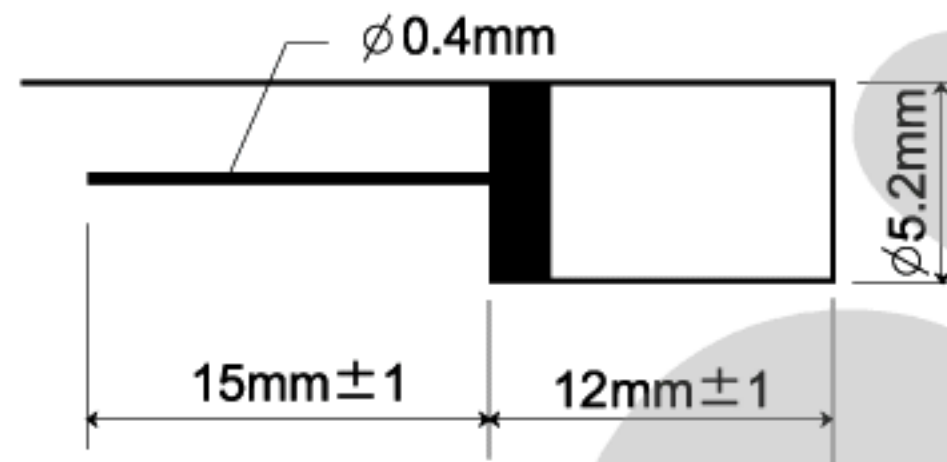
Silver shell coating

**BT413-R2**



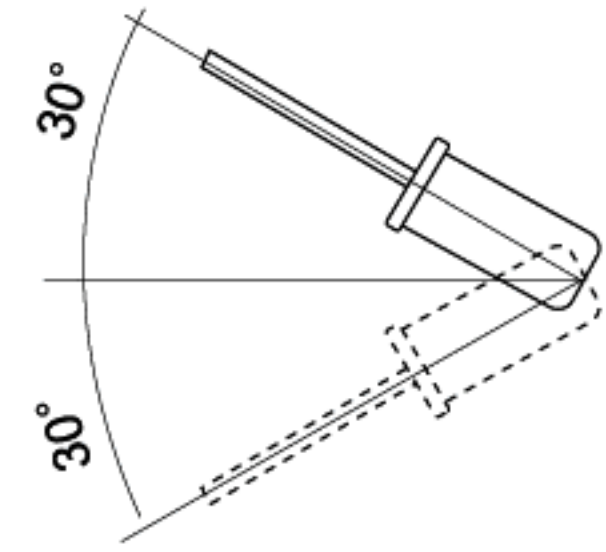
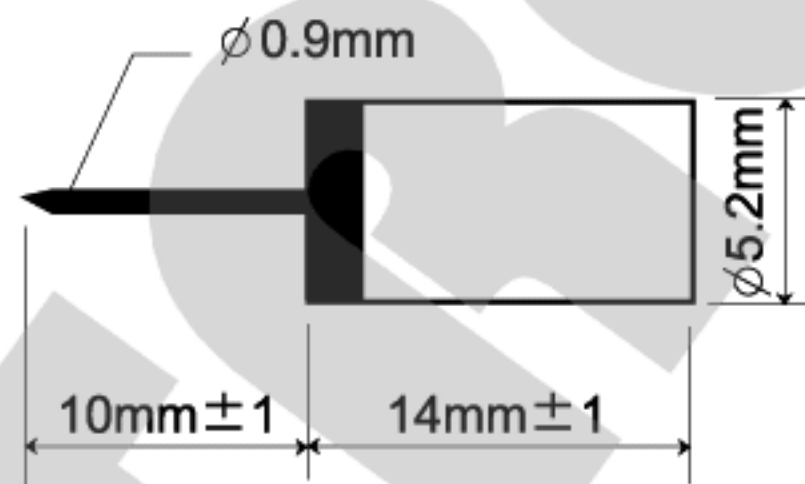
Silver shell coating

**BT512-3**



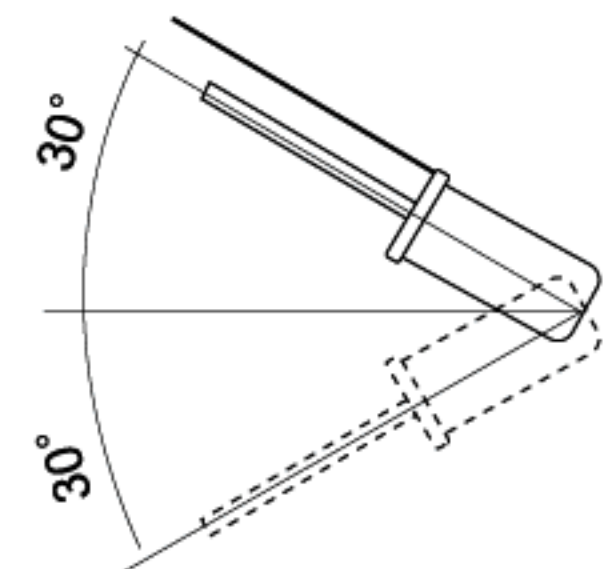
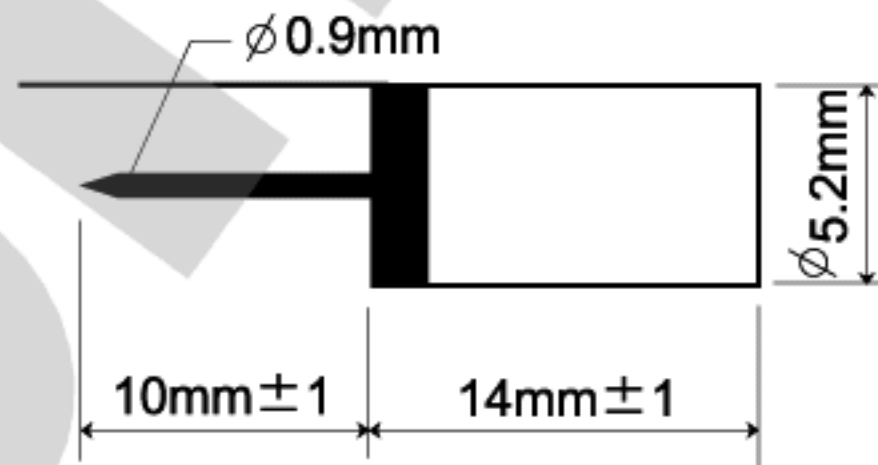
Silver shell coating

**BT514**



Silver shell coating

**BT514-2**



Silver shell coating

**BT514-3**

