

SPECIFICATION:

Current: 200mA Max.

Inside resistance: 5Ω (initial).

Life: 10,000 Cycles.

Dimensions: Ø5x14mm, Ø5x16mm,
Ø5x18mm, Ø5.5x18mm,
Ø6x19mm.

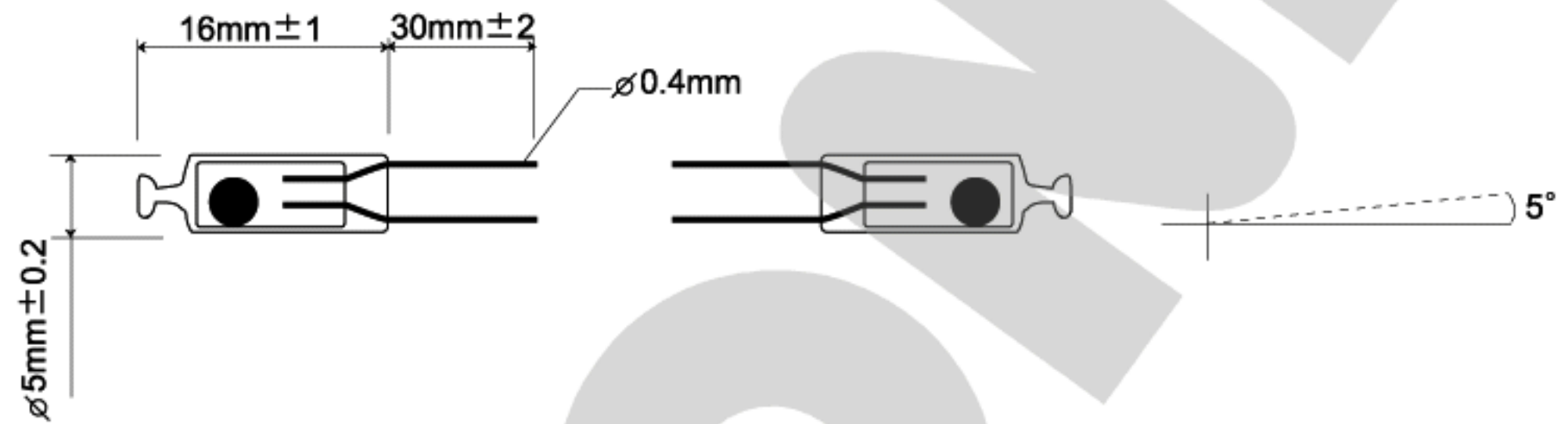
FEATURES:

Glass tube has undergone special treatment. Thus, it is not easily broken. Its effectiveness is excellent as its contact is made of special conductive material.

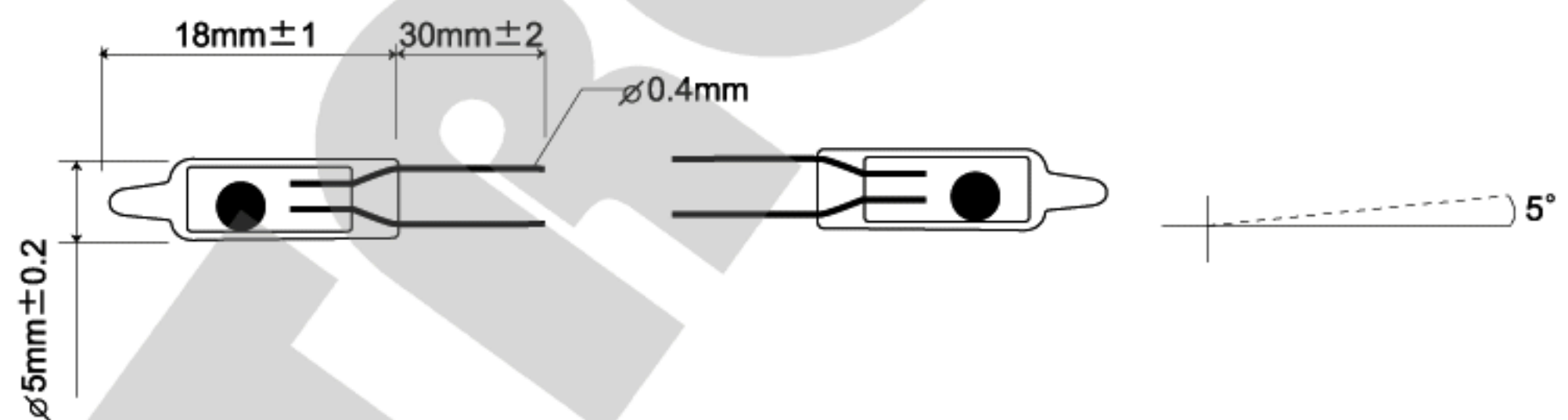
NOTE:

Due to corrosive of mercury, the resistance would be raised up as long as time and temperature are increased.

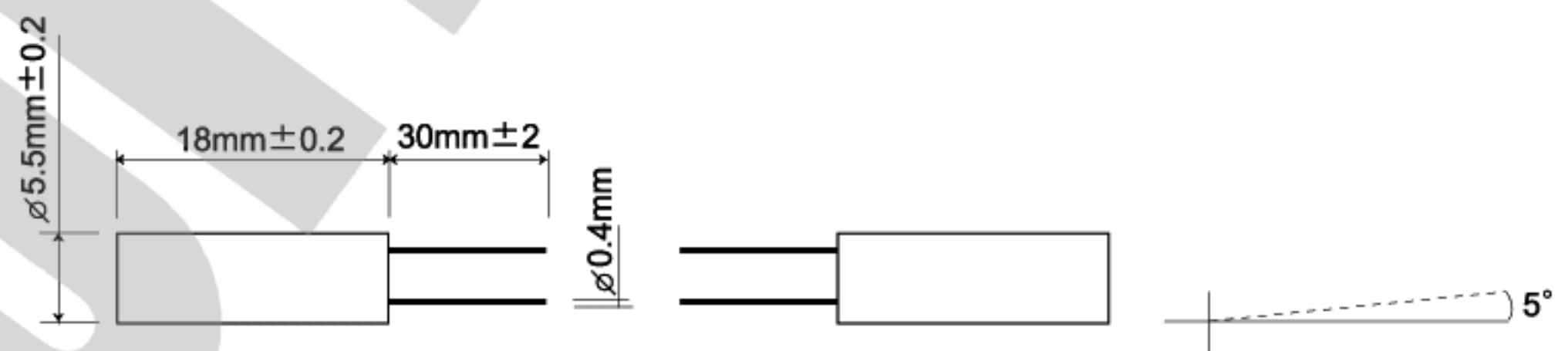
Mercury



Mercury



Mercury



Mercury

