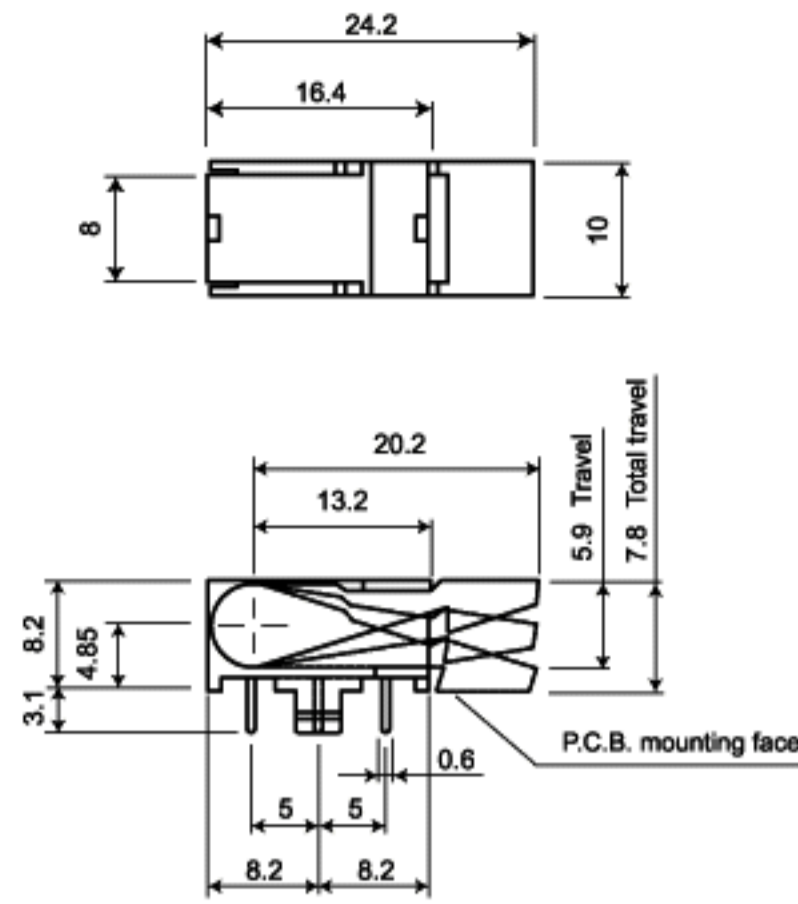
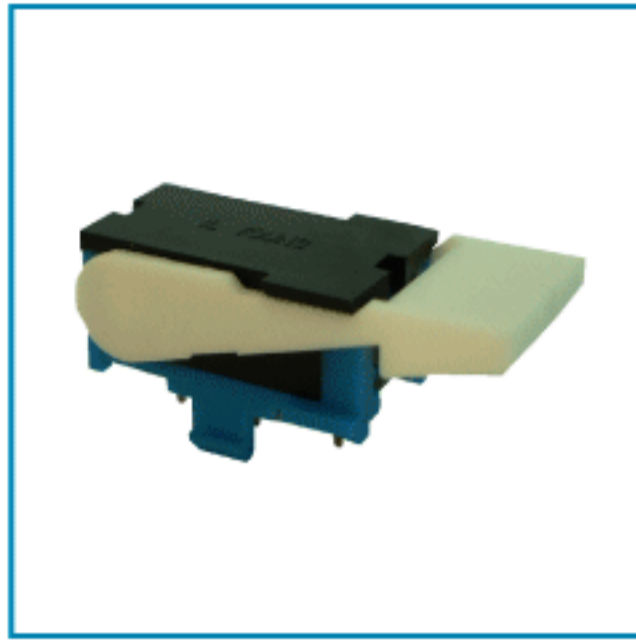
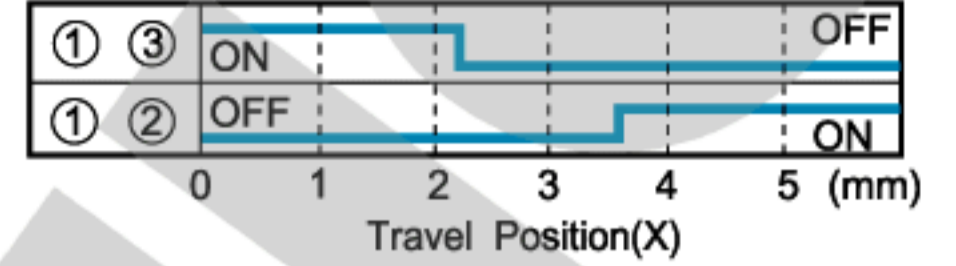


## IH-1241

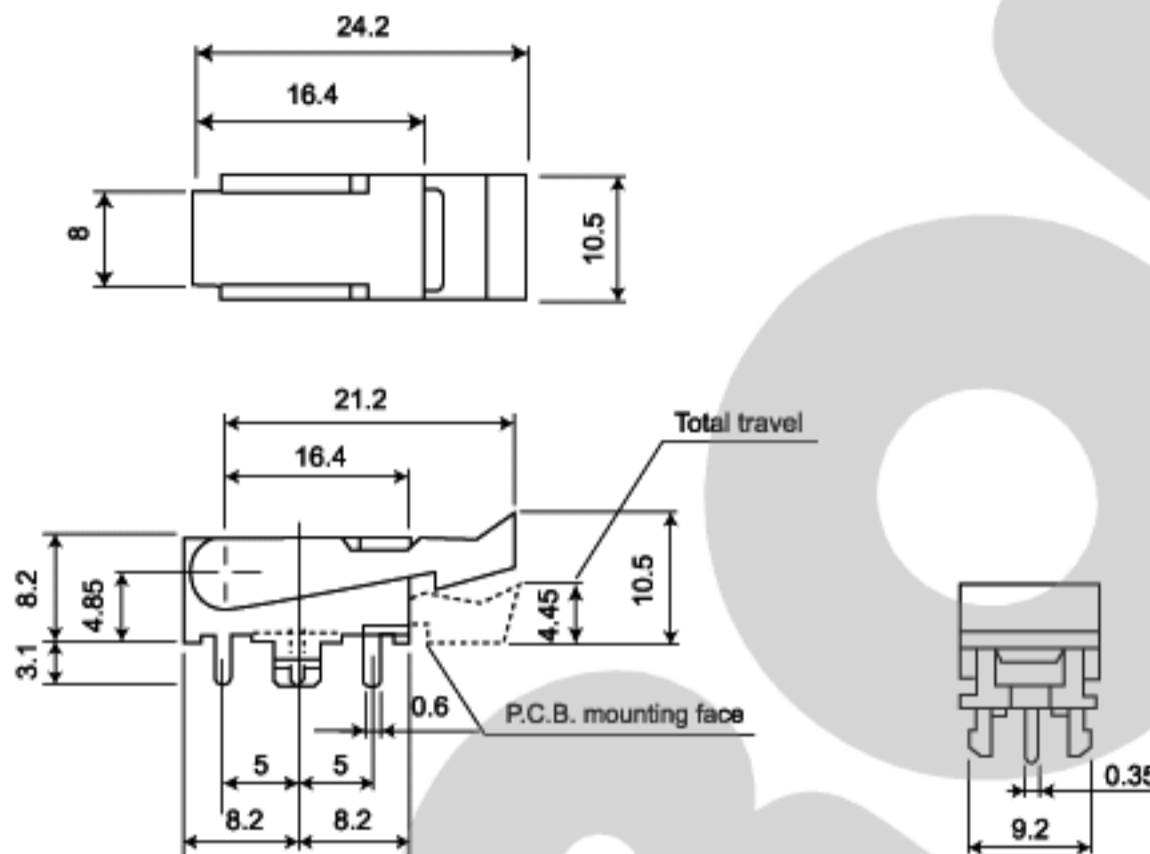


1. Rating : 0.2A 48V DC
2. Contact Resistance : 50mΩ Max.
3. Circuit : 1P2T
4. Operating Force : 70gf Max.

Time Lag Diagram

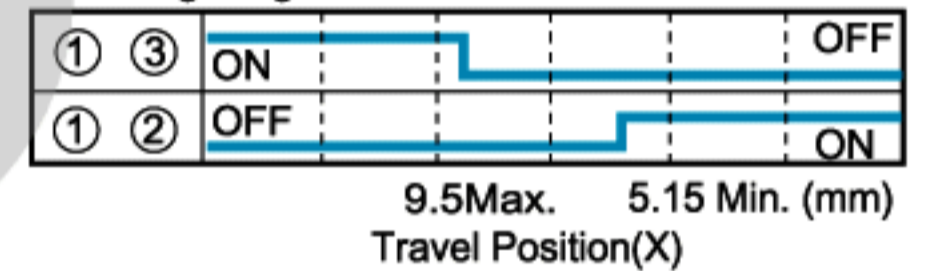


## IH-1241A

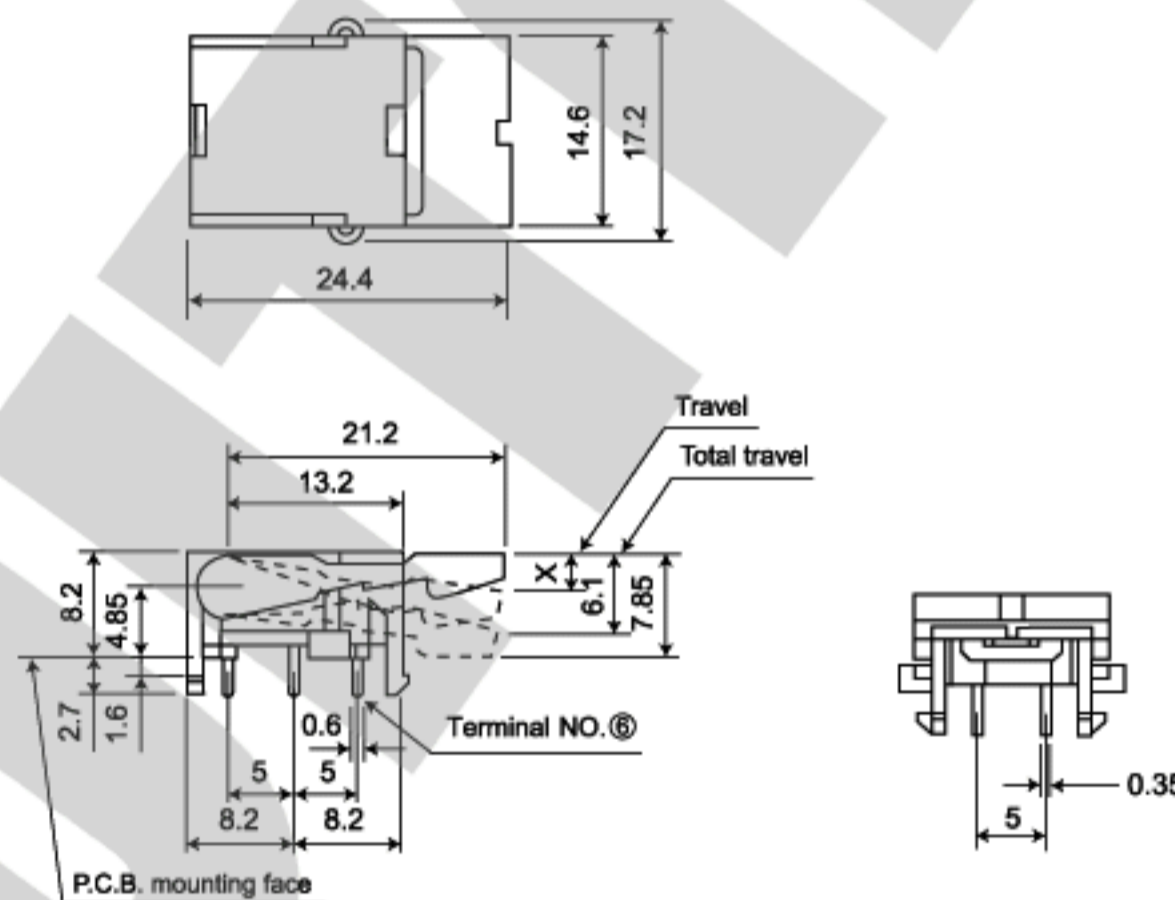


1. Rating : 0.2A 48V DC
2. Contact Resistance : 50mΩ Max.
3. Circuit : 1P2T
4. Operating Force : 70gf Max.

Time Lag Diagram

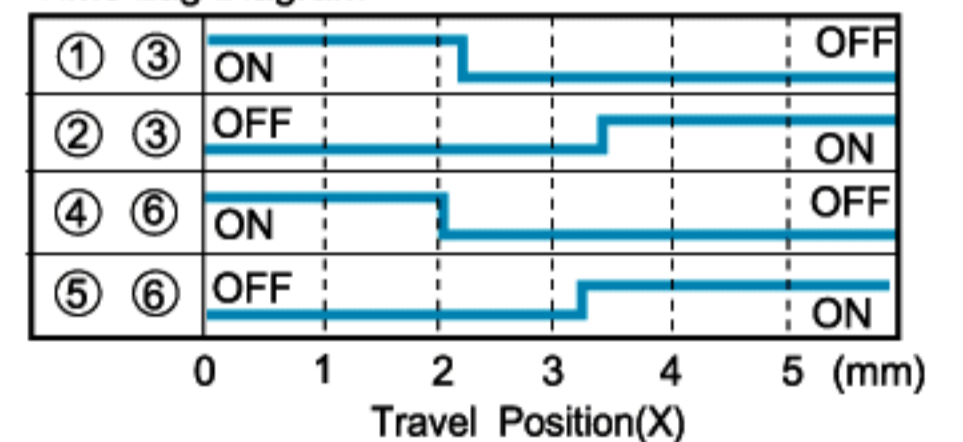


## IH-2240

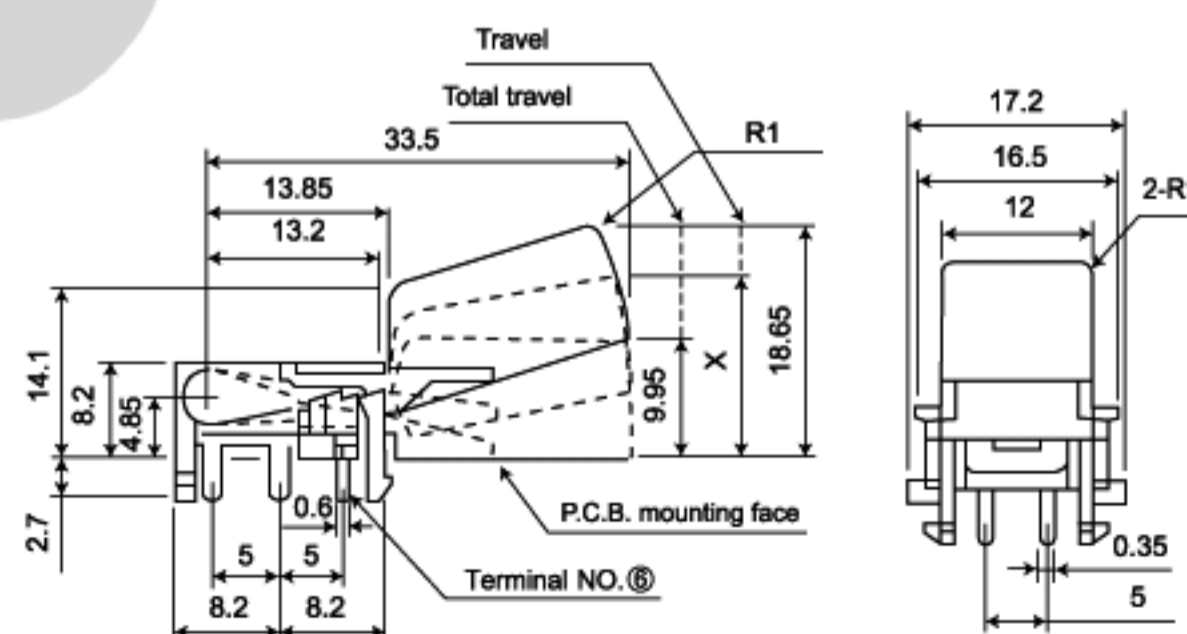
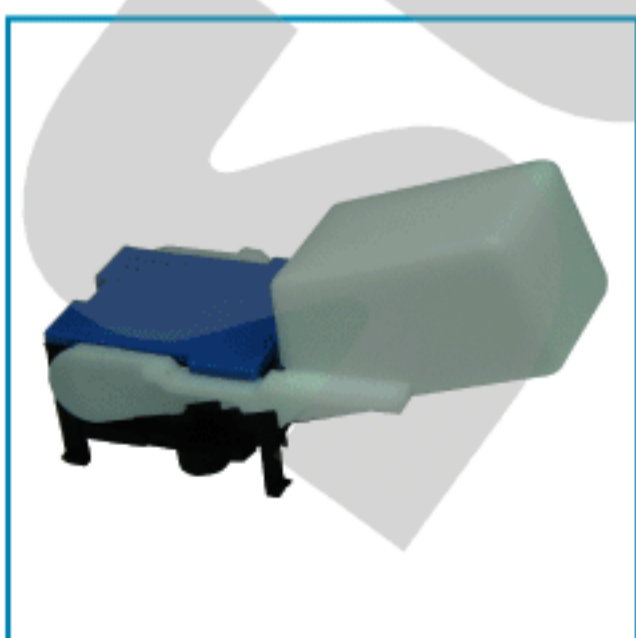


1. Rating : 0.2A 48V DC
2. Contact Resistance : 50mΩ Max.
3. Circuit : 2P2T
4. Operating Force : 70gf Max.

Time Lag Diagram

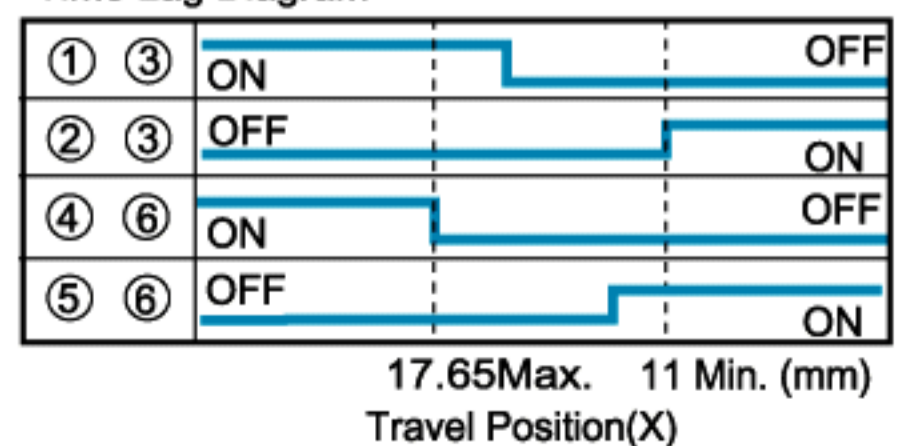


## IH-2240A

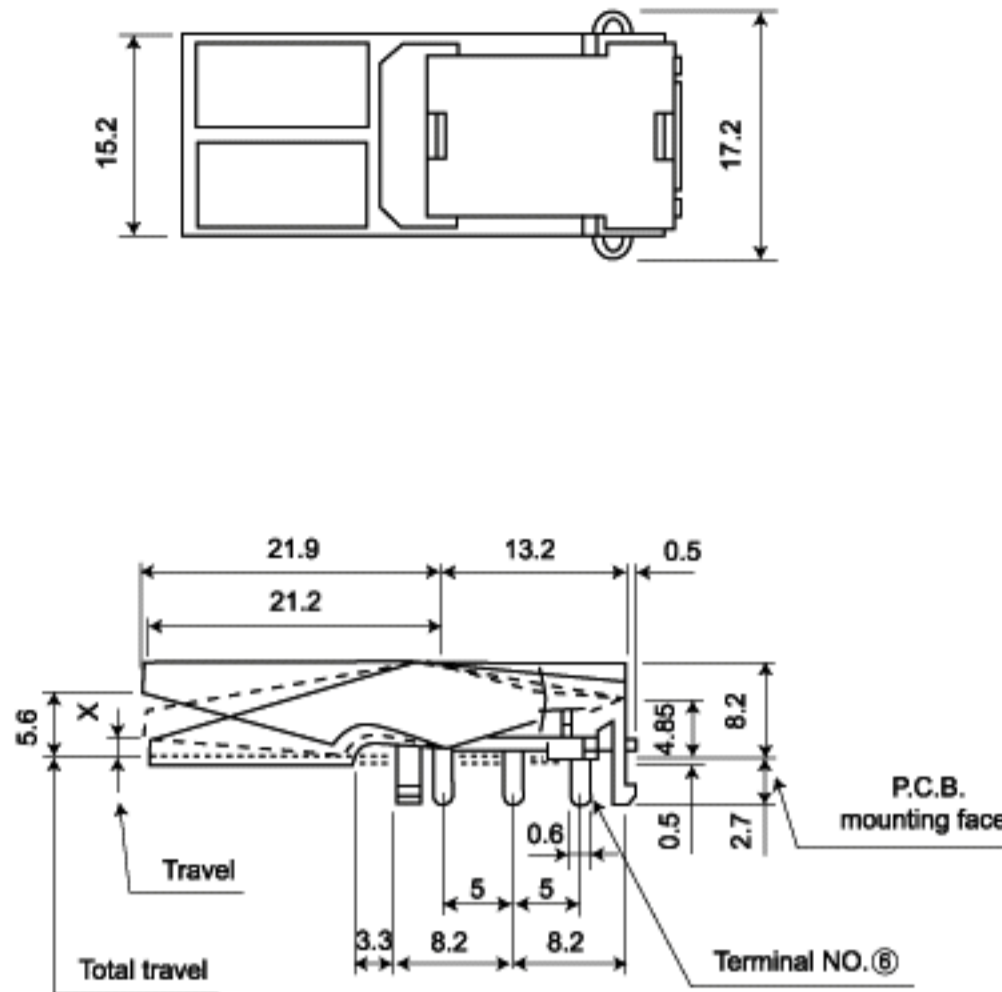
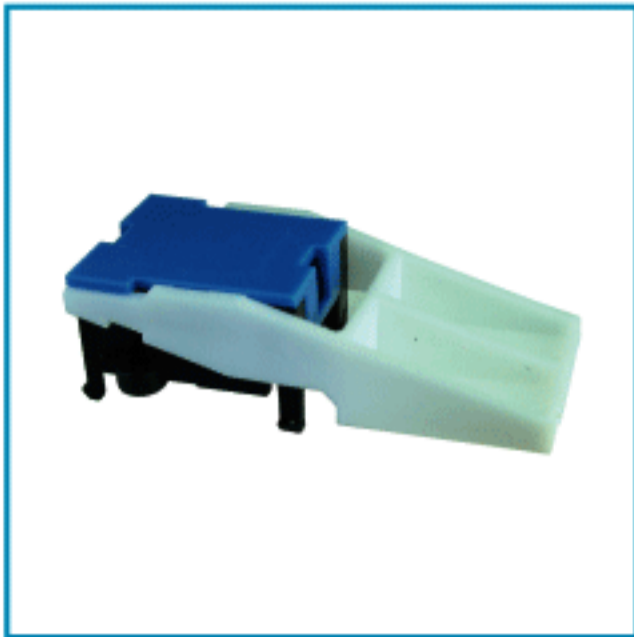


1. Rating : 0.2A 48V DC
2. Contact Resistance : 50mΩ Max.
3. Circuit : 2P2T
4. Operating Force : 70gf Max.

Time Lag Diagram

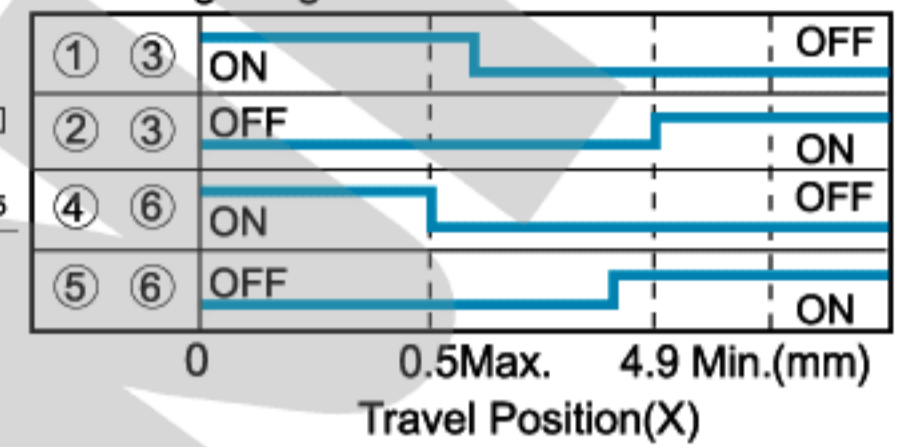


## IH-2240B

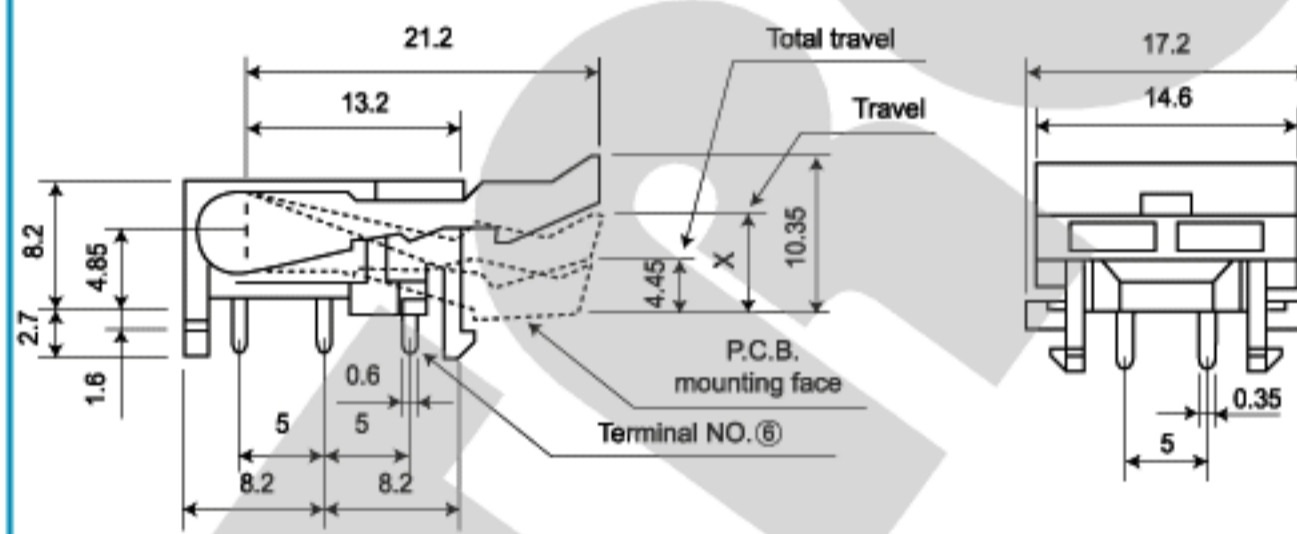


1. Rating : 0.2A 48V DC
2. Contact Resistance : 50mΩ Max.
3. Circuit : 2P2T
4. Operating Force : 70gf Max.

Time Lag Diagram

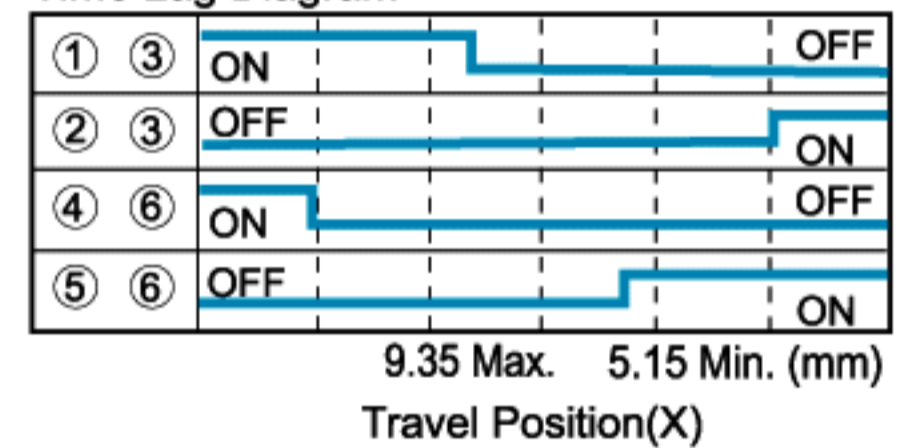


## IH-2240C

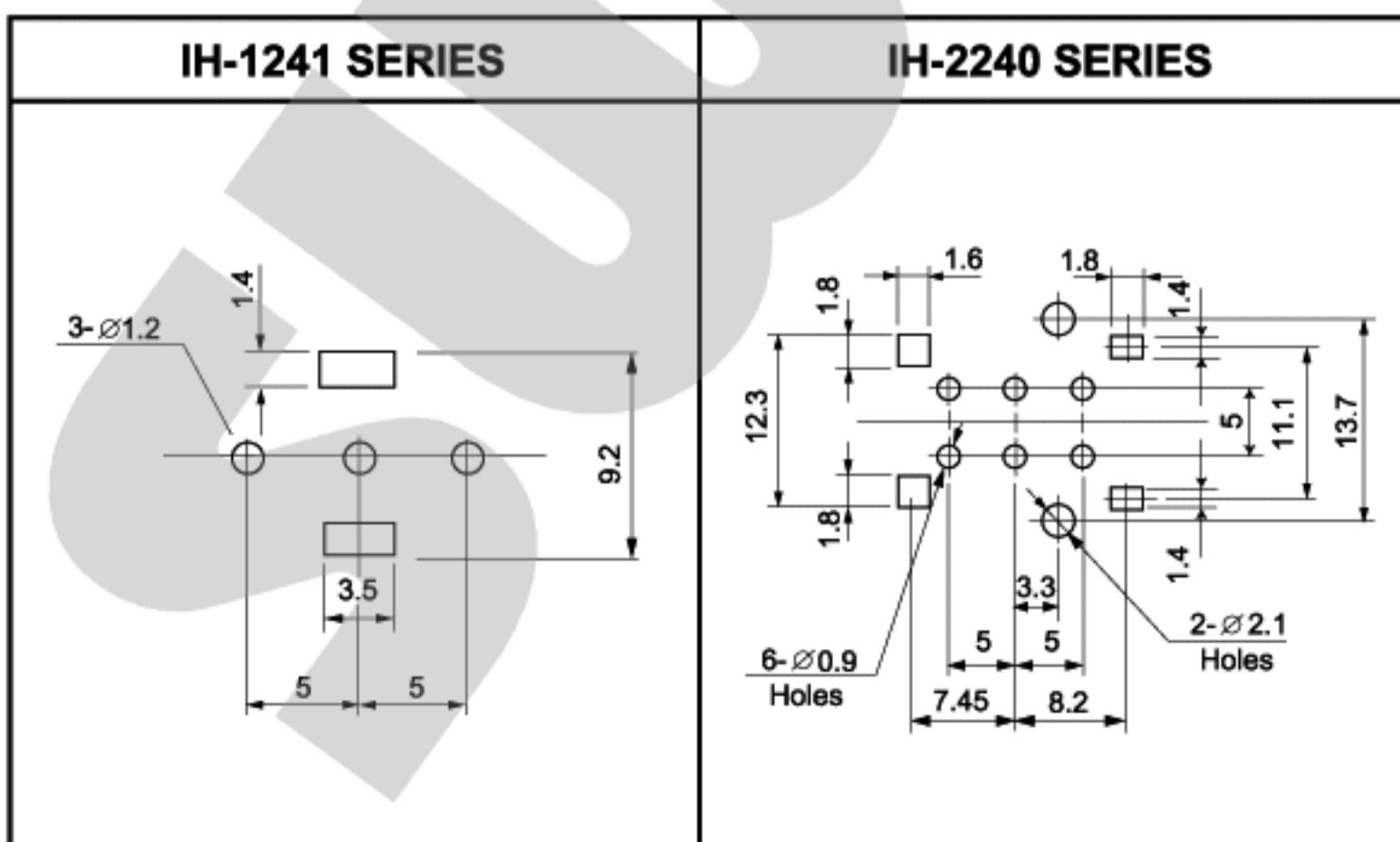


1. Rating : 0.2A 48V DC
2. Contact Resistance : 50mΩ Max.
3. Circuit : 2P2T
4. Operating Force : 70gf Max.

Time Lag Diagram



### P.C.B. LAYOUT (View from direction "A")



### CIRCUIT DIAGRAM (View from direction "A")

