

# VM Series Micro Switches

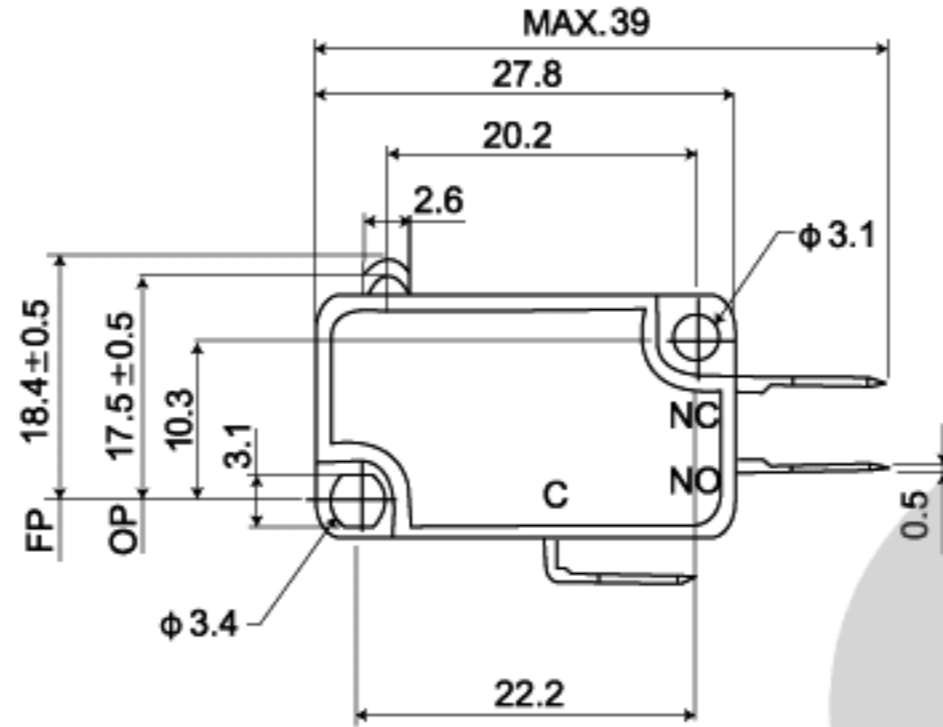


LICO

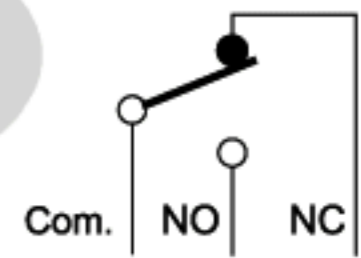
## SPECIFICATION:

Rating : VM3 : 3A 250V AC		Contact Resistance : $\leq 100\text{m}\Omega$
VM5 : 5A 250V AC		
VM10 : 10A 250V AC		Mechanical Life : 100,000 Cycles
VM16 : 16A 250V AC		
VMS10 : 10A 250V AC		Electrical Life : 10,000 Cycles
VMS15 : 15A 250V AC		
Insulation Resistance : $> 100\text{M}\Omega$ at 500V DC		Ambient Temperature : $-25^{\circ}\text{C} \sim +80^{\circ}\text{C}$
Withstand Voltage : 1,500V AC for 1 minute		Operating Force : On request

VM3-00N-110G  
VM5-00N-110G

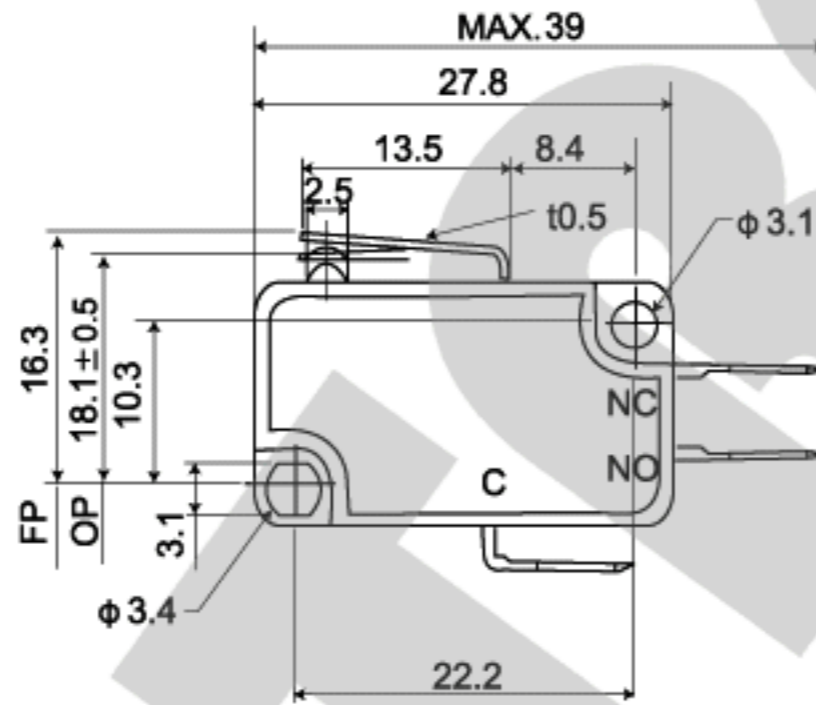


### SCHEMATIC

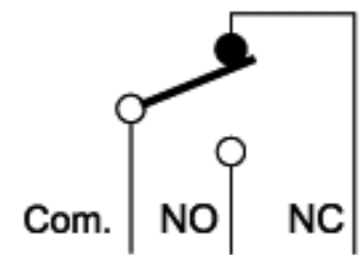


Operating Force (gf):  
60,80,110,160,250g  
(std.)

VM3-01N-160G  
VM5-01N-160G

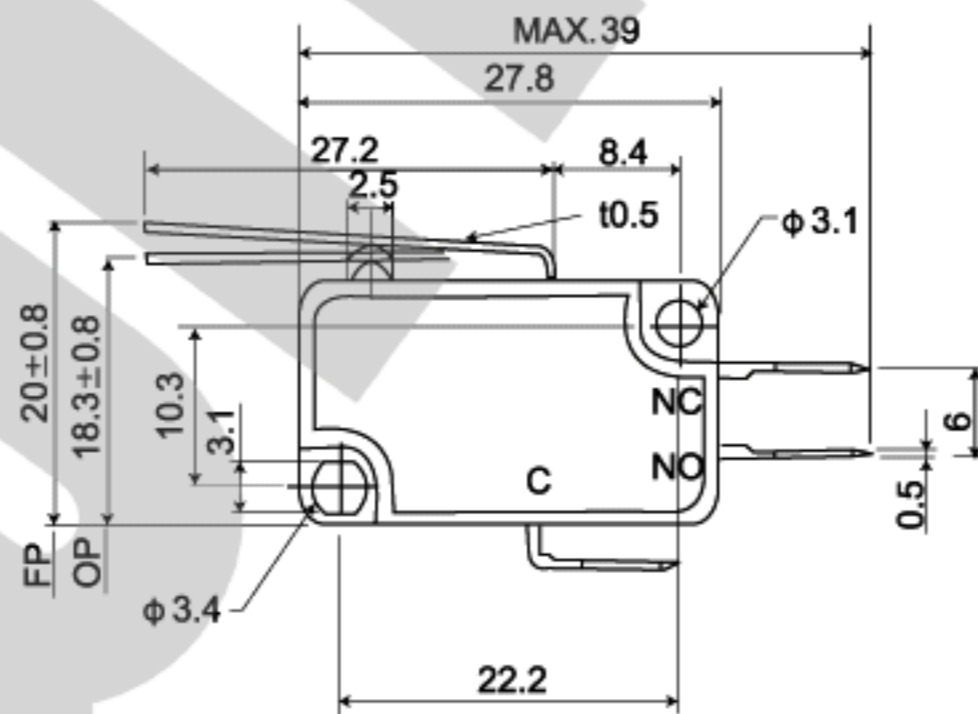
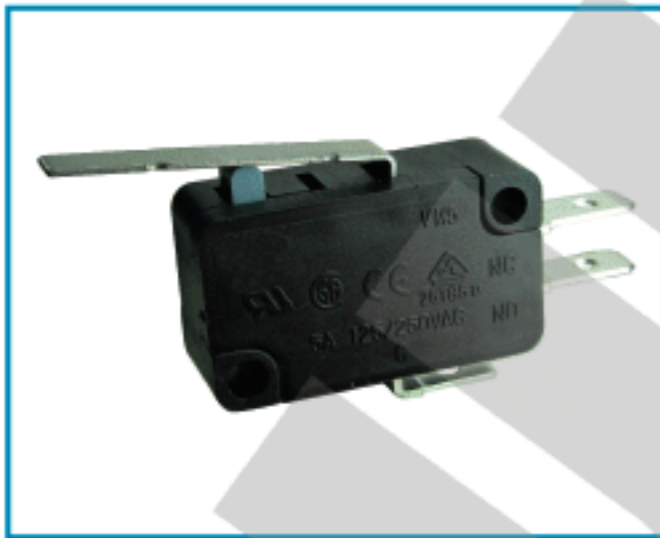


### SCHEMATIC

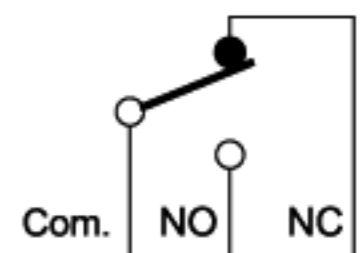


Operating Force (gf):  
60,80,110,160,250g  
(std.)

VM3-02N-70G  
VM5-02N-70G

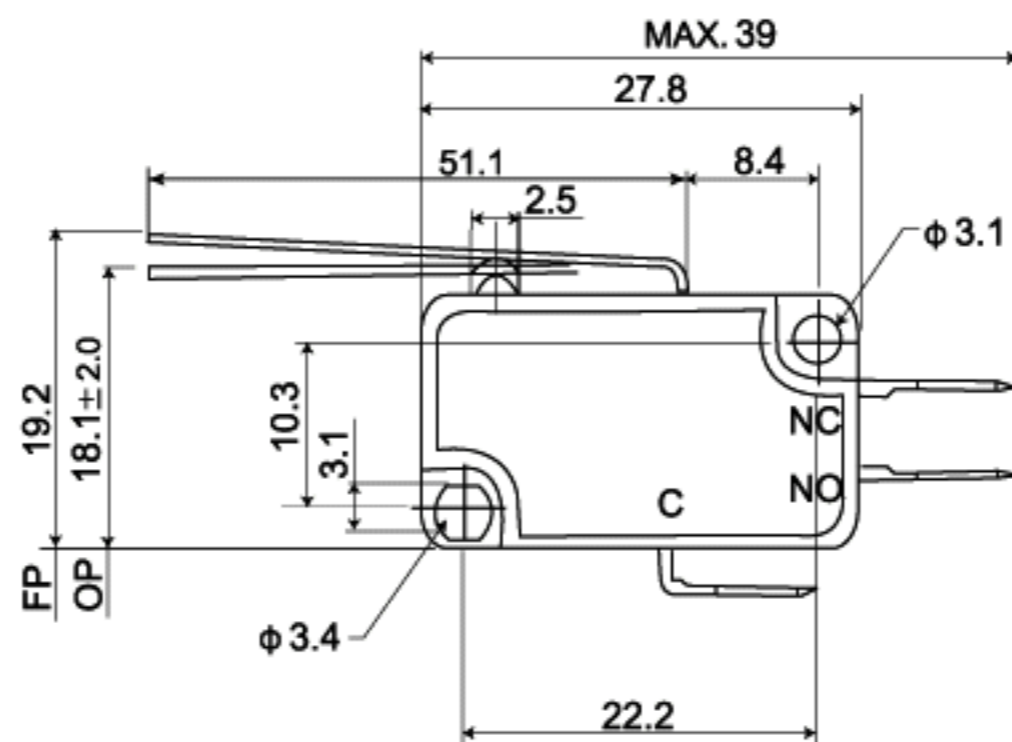


### SCHEMATIC

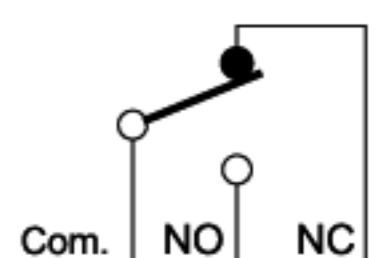


Operating Force (gf):  
25,32,40,70,110g  
(std.)

VM3-03N-40G  
VM5-03N-40G



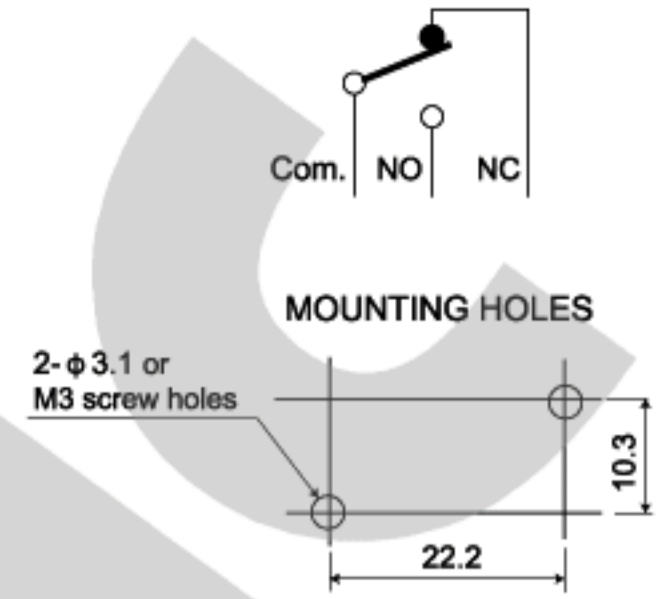
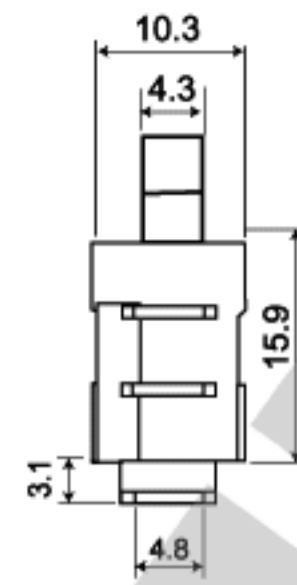
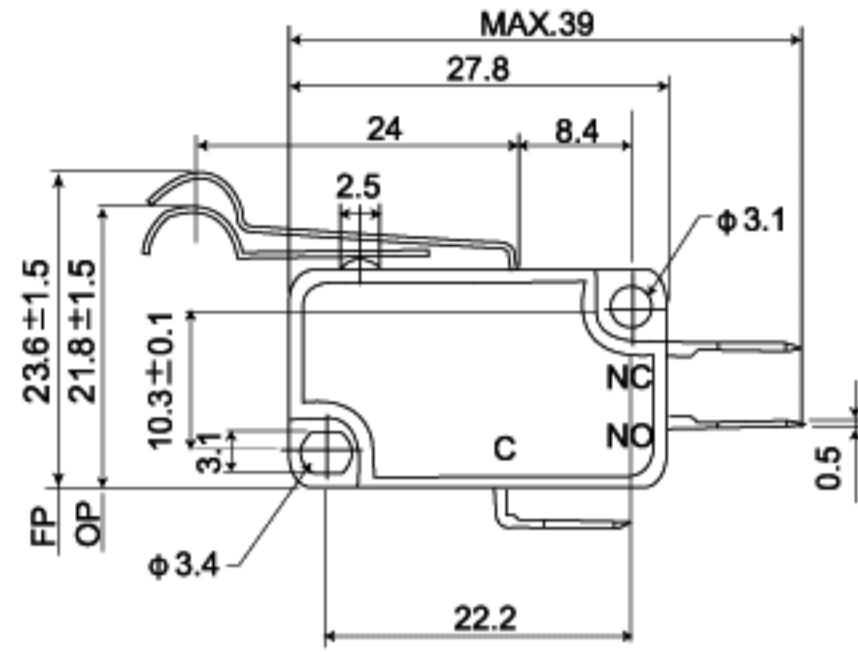
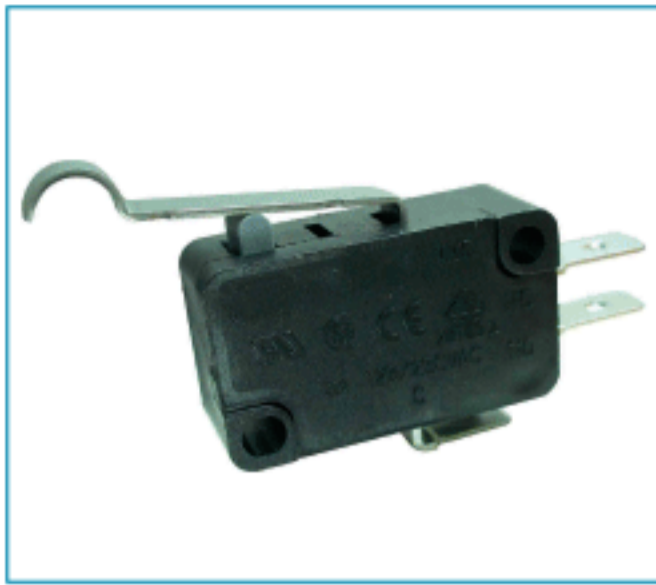
### SCHEMATIC



Operating Force (gf):  
12,20,25,40,60g  
(std.)

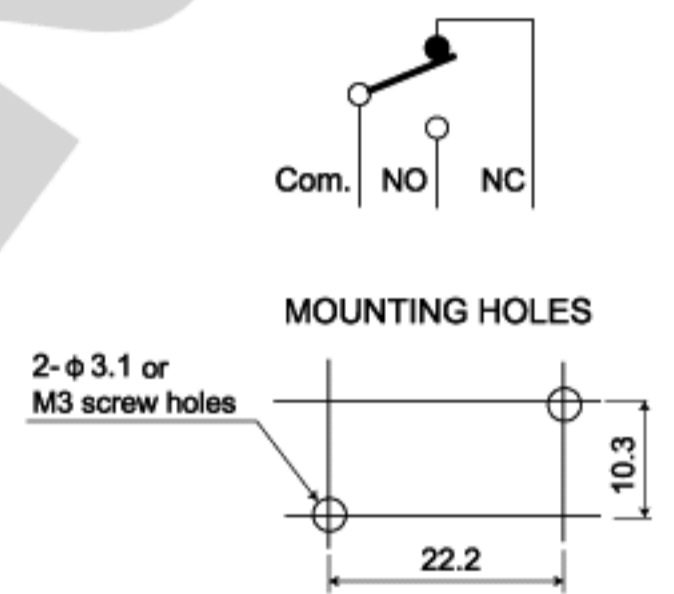
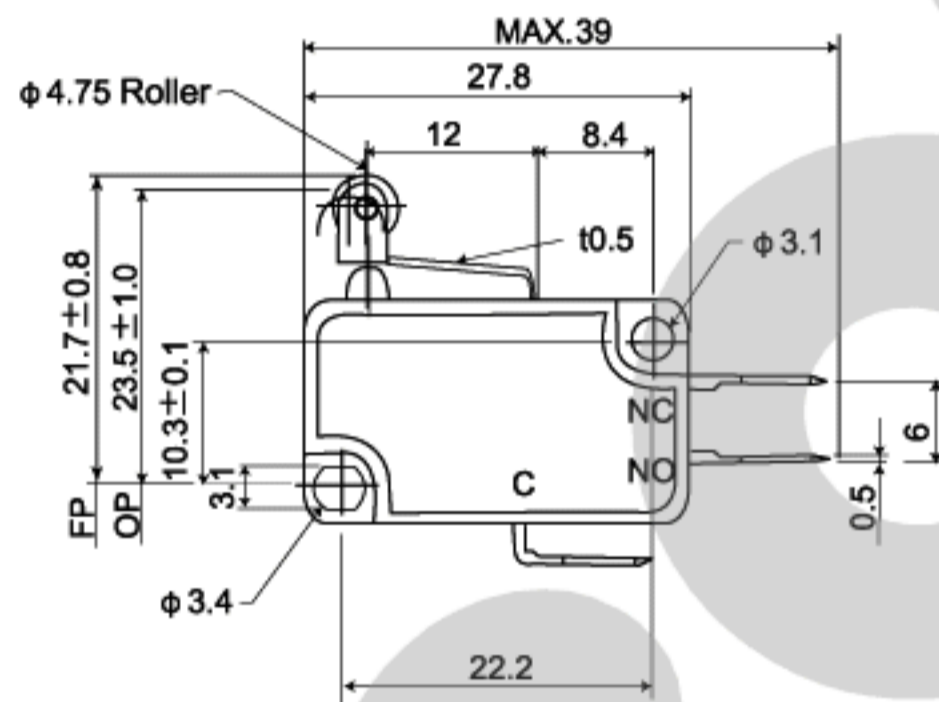


VM3-04N-80G  
VM5-04N-80G



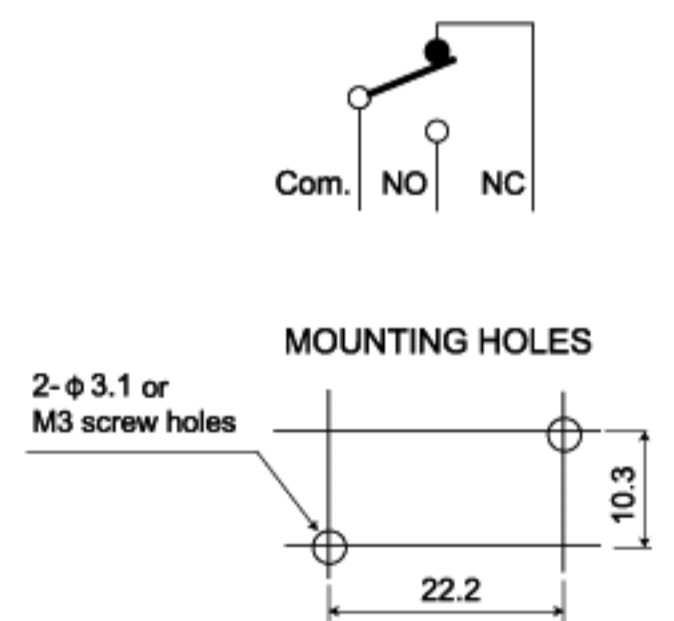
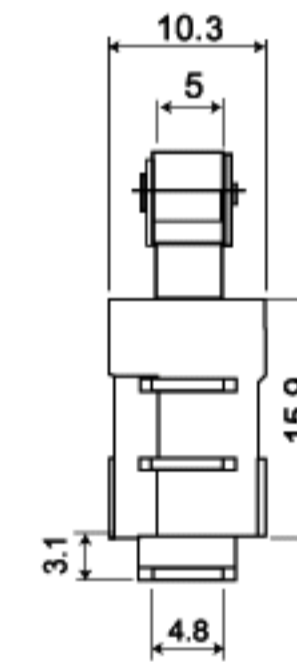
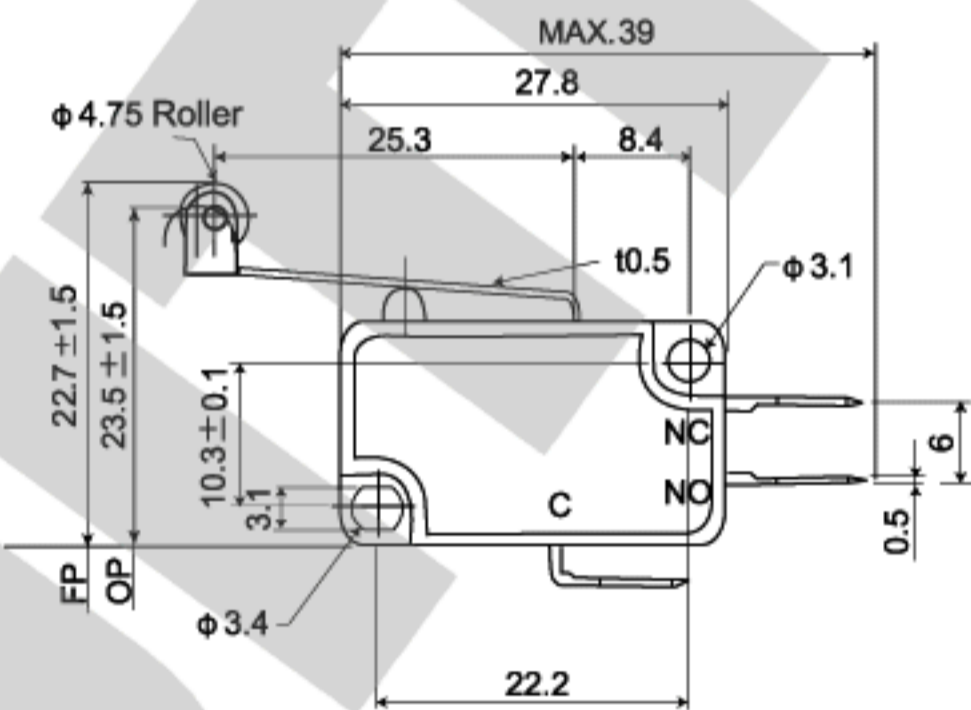
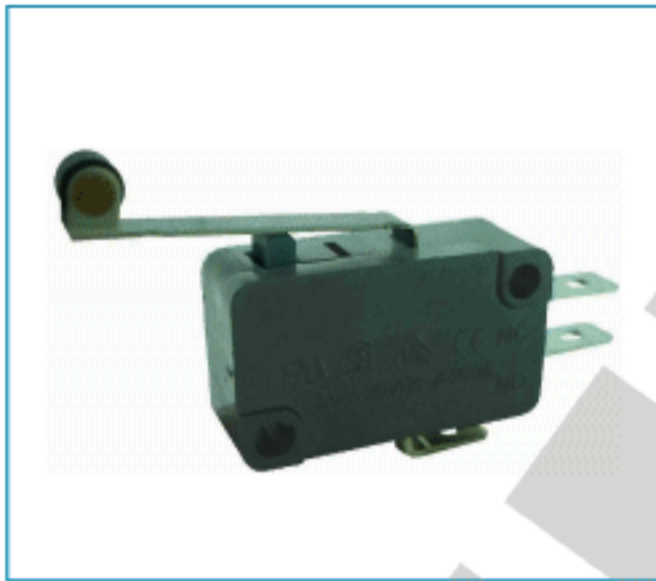
Operating Force (gf):  
28,35,45,80,125 g  
(std.)

VM3-05N-160G



Operating Force (gf):  
60,80,110,160,250g  
(std.)

VM3-06N-80G



Operating Force (gf):  
28,35,45,80,125 g  
(std.)

## HOW TO ORDER

MODEL NO. (RATING)	ACTUATOR TYPE	TERMINAL TYPE	NO. OF TERMINALS	OPERATING FORCE
VM3 : 3A 250V AC VM5 : 5A 250V AC VM10 : 10A 250V AC VM16 : 16A 250V AC VMS10 : 10A 250V AC VMS15 : 15A 250V AC	00 03 06 01 04 02 05	N	□ : Normal 2 : C & NO Only 3 : C & NC Only	( as above )