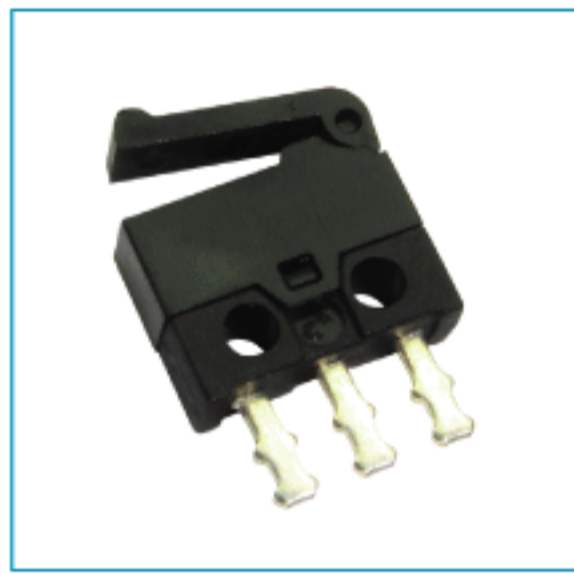


# SSM Series Tiny Micro Switches

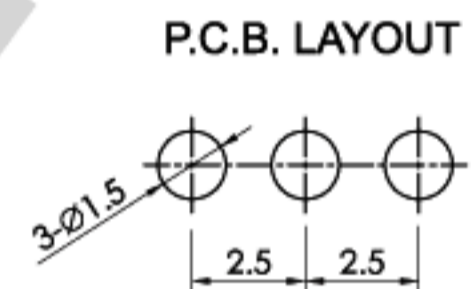
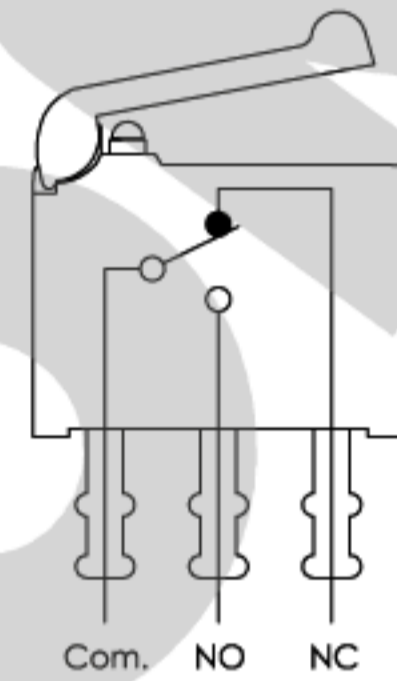
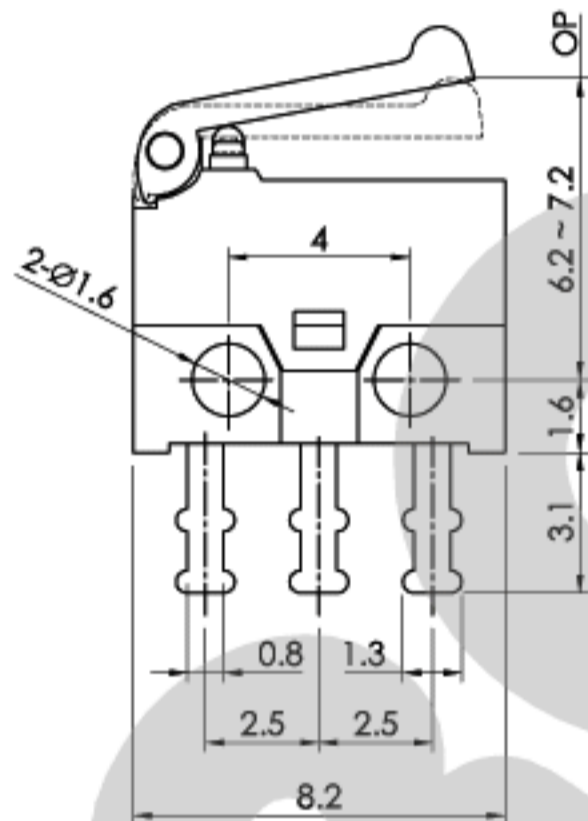
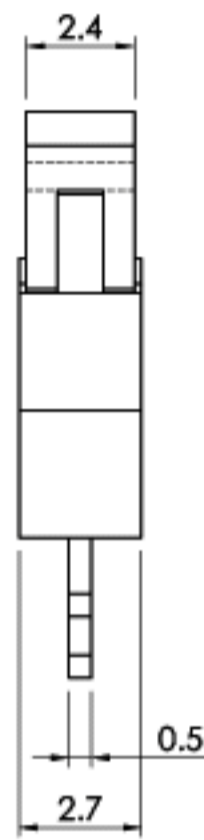
LICO

## SPECIFICATION:

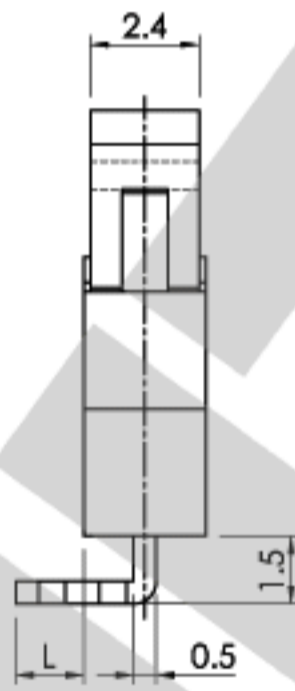
Rating	: 500mA 30V DC.	Contact Resistance	: 100mΩ Max. (initial)
Operating Position	001 Series : 6.7mm ± 0.5mm. 002 Series : 5.5mm ± 0.1mm. 003 Series : 6mm ± 0.5mm. 004 Series : 5.7mm ± 0.4mm.	Operating Force	: 50g Max.
Life	: 300,000 Cycles Min.	Operating Temperature	: -25°C ~ +70°C.
Insulation Resistance	: 100MΩ Min. at 500V DC	Ambient Humidity	: 35% ~ 85%RH.
Withstand Voltage	: 250V AC for 1 minute.	Malfunction Durability	: 10 ~ 55Hz 1.5mm. double amplitude during 2 hours.



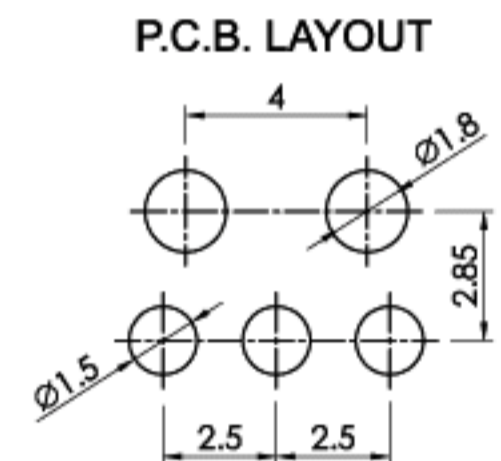
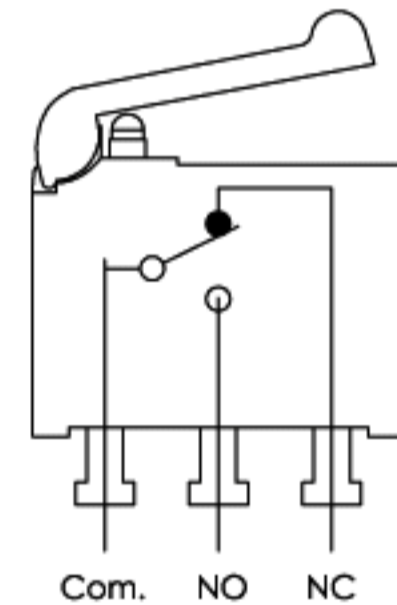
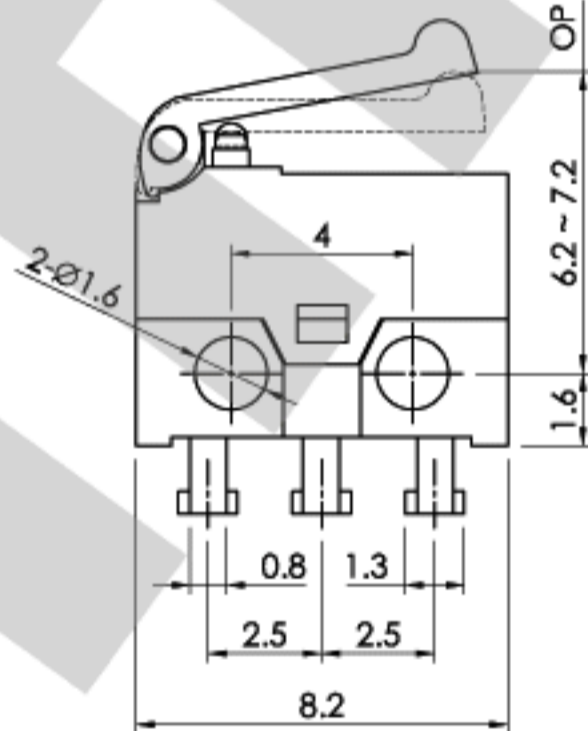
**SSM-001**



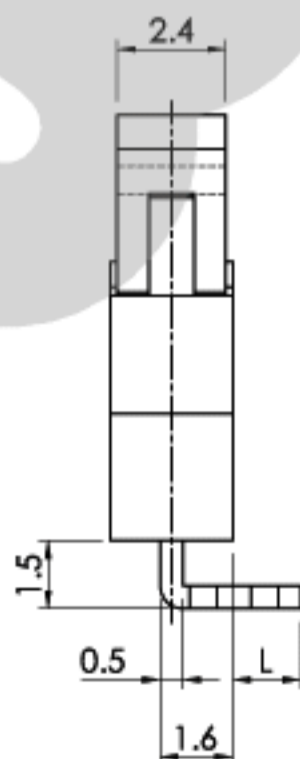
**SSM-001L**



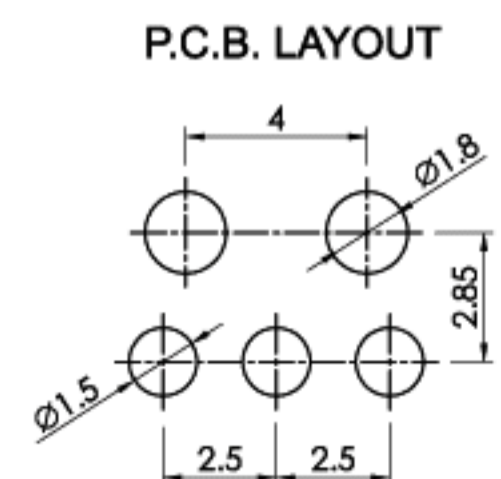
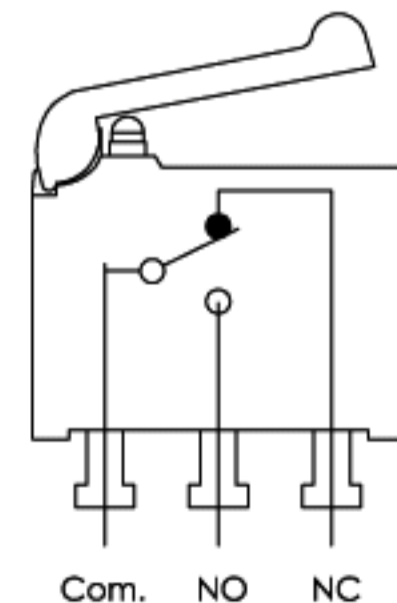
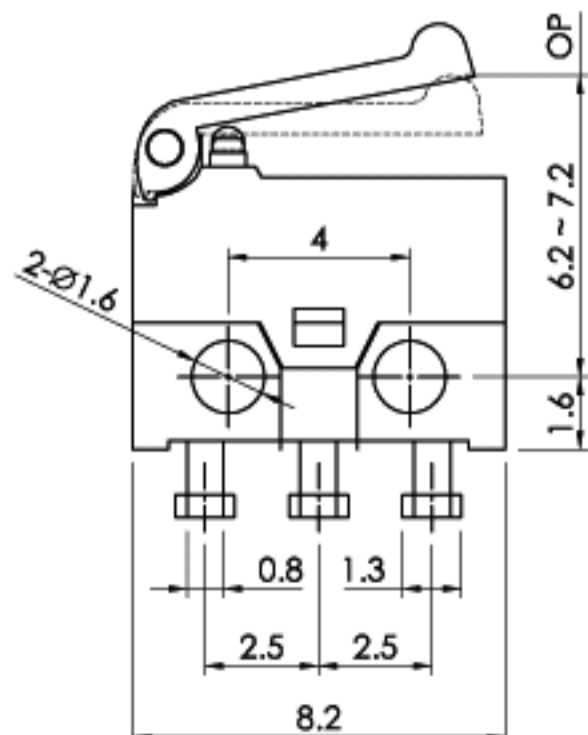
L1 = 1.5  
L2 = 3.1



**SSM-001R**



L1 = 1.5  
L2 = 3.1



B55

LICO

LICO Electronics [www.bauelemente.at](http://www.bauelemente.at)

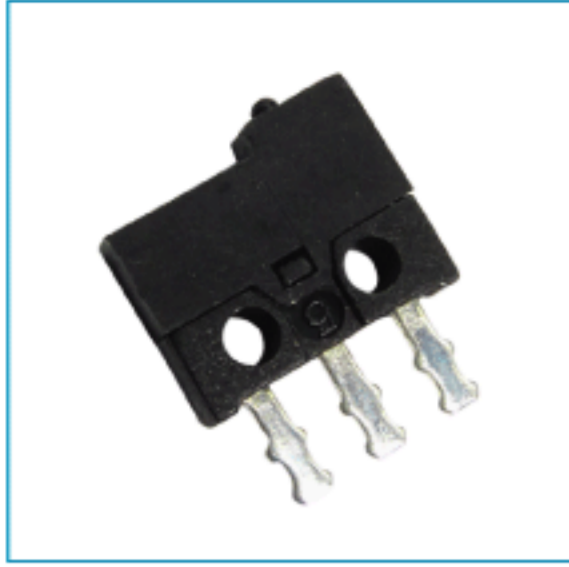
[office@lico.at](mailto:office@lico.at)

[office@lico.hu](mailto:office@lico.hu)

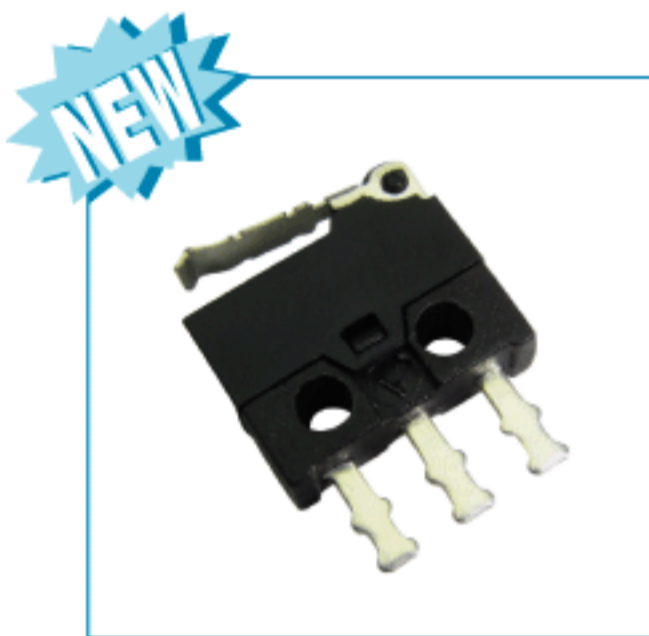
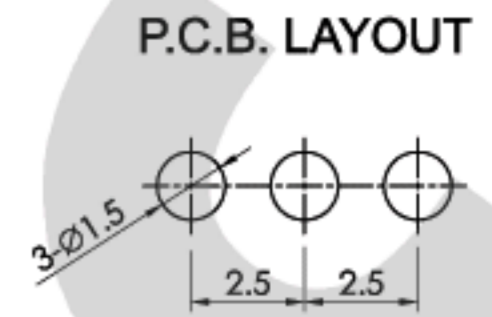
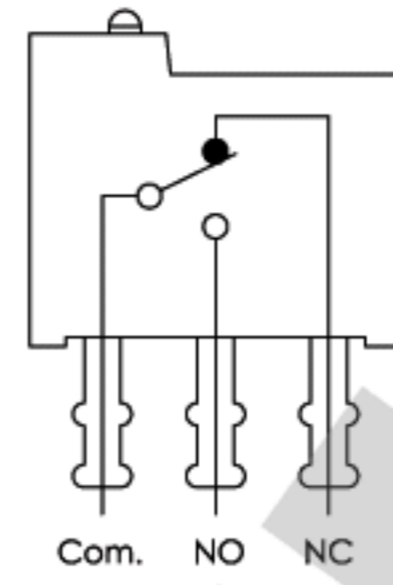
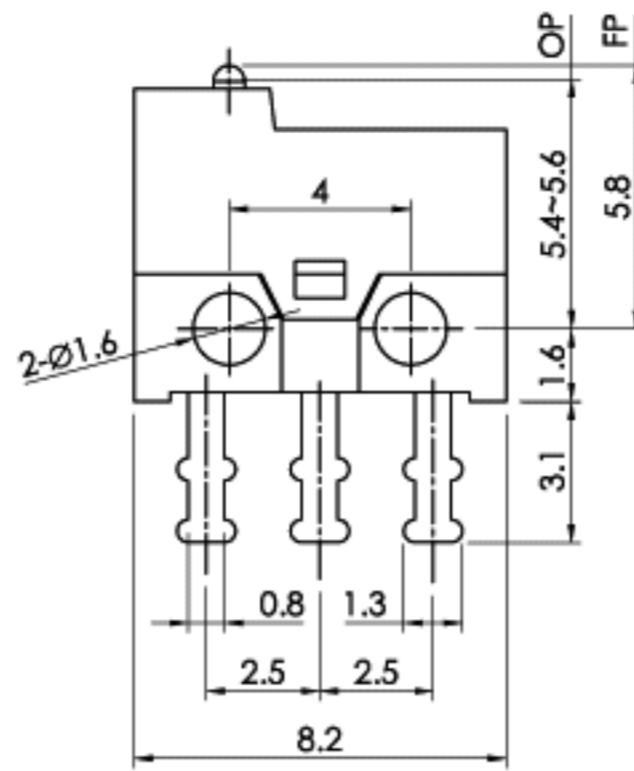
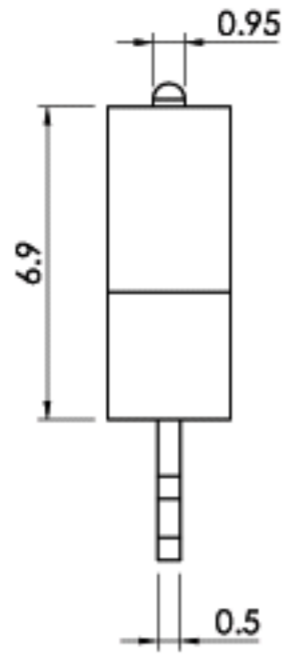
[office@lico.ro](mailto:office@lico.ro)

# SSM Series Tiny Micro Switches (W/O Lever or W/Stainless Lever)

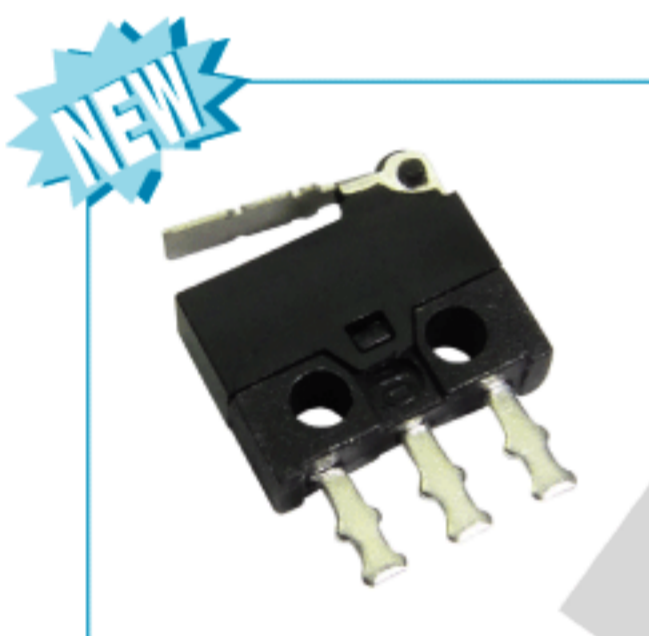
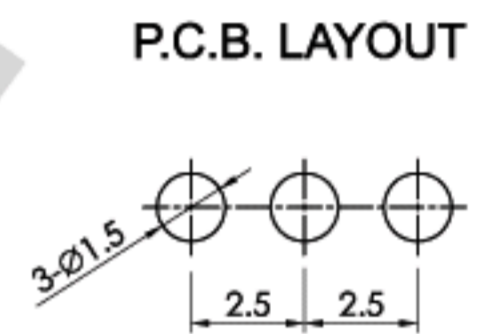
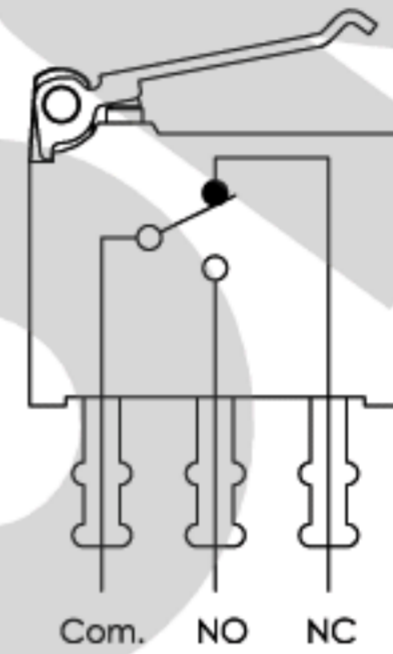
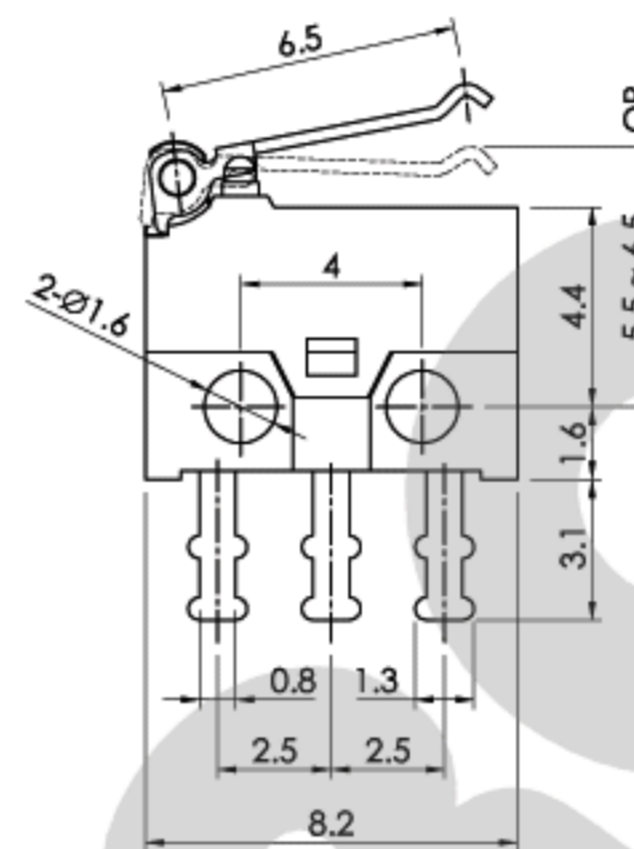
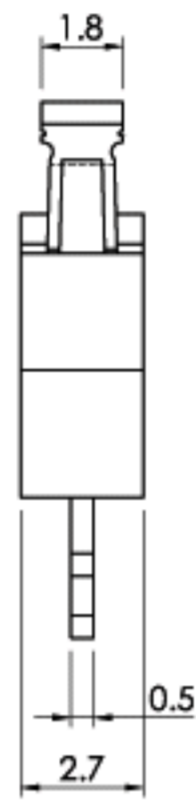
LICO



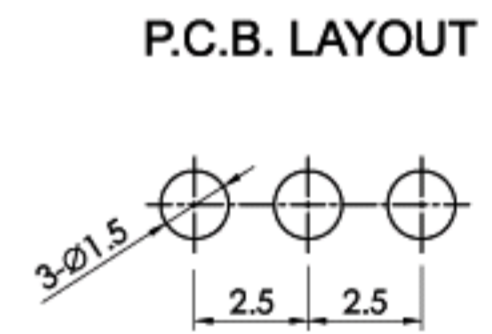
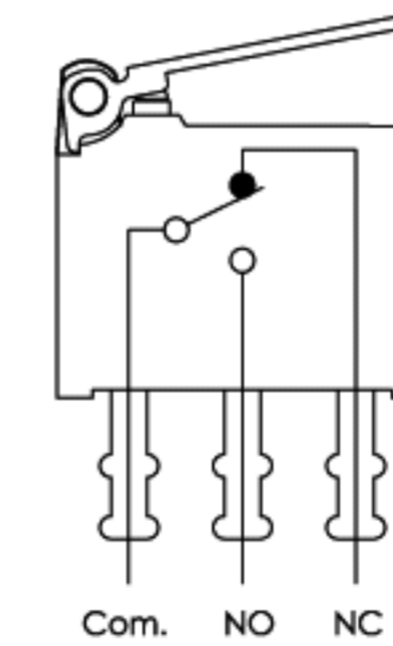
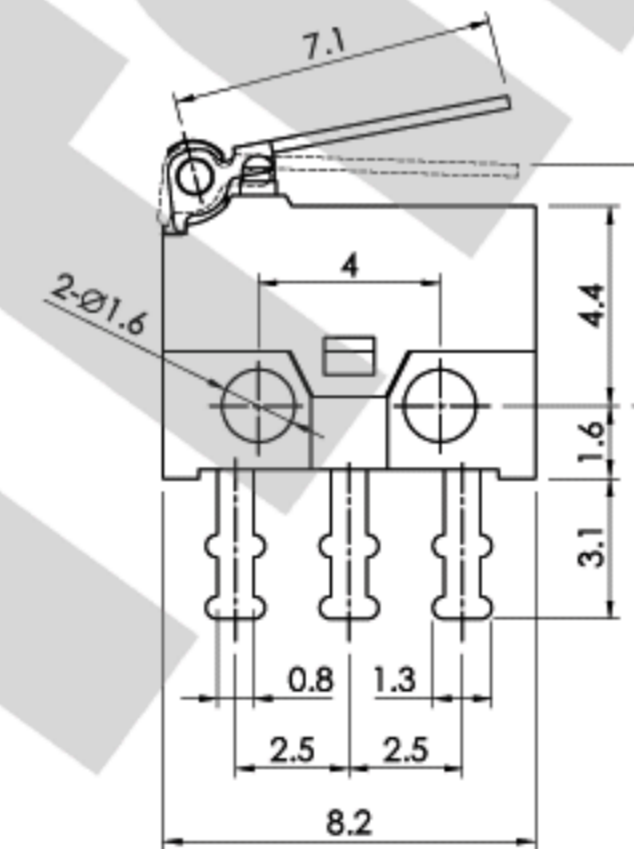
**SSM-002**  
(W/O Lever)



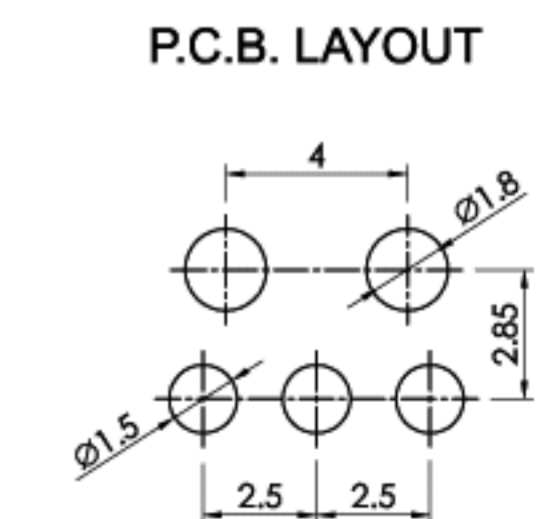
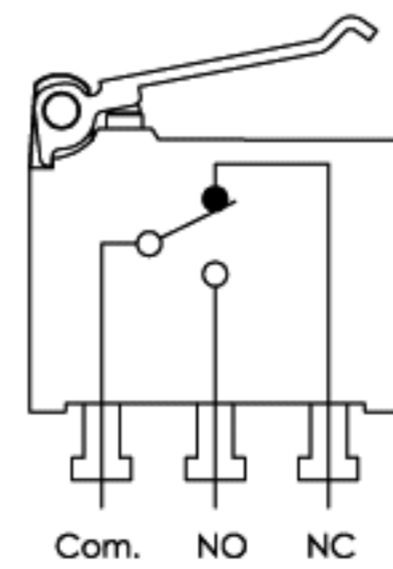
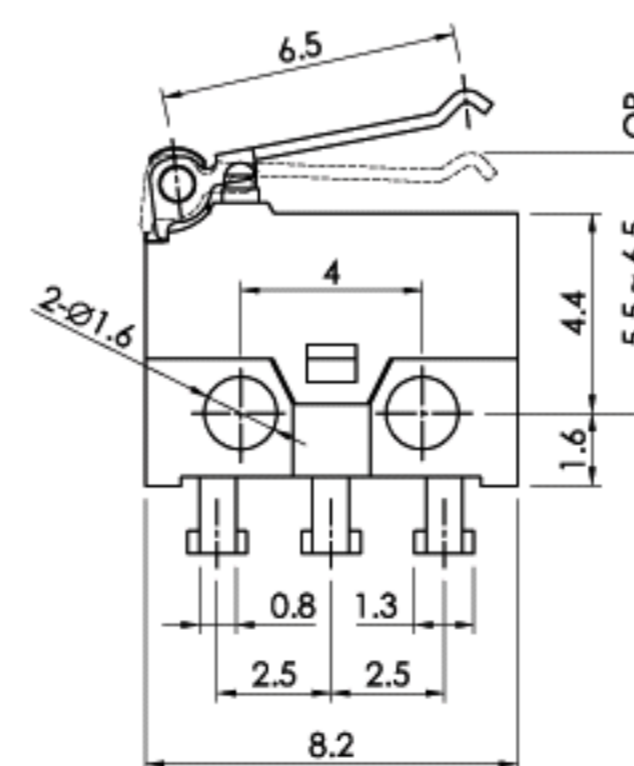
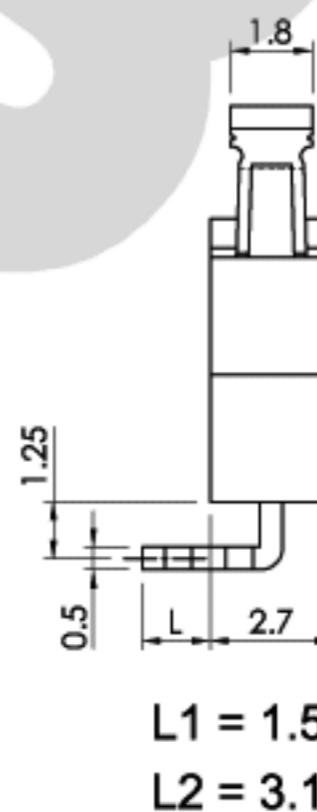
**SSM-003**



**SSM-004**



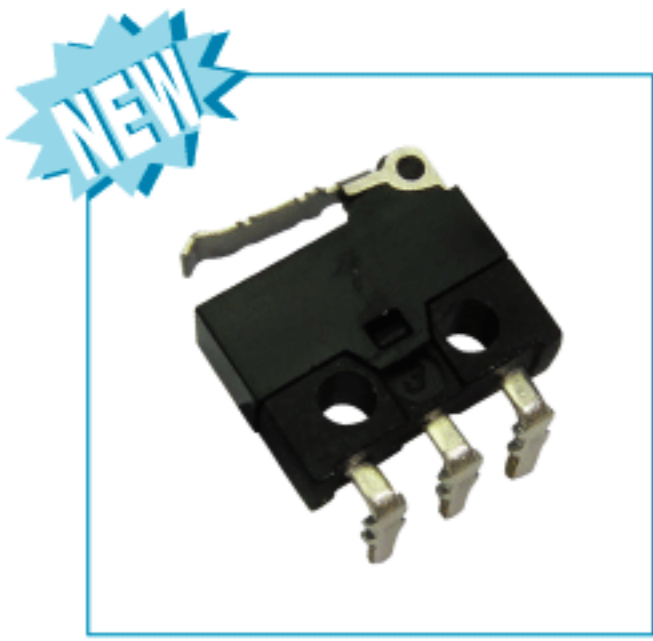
**SSM-003L**



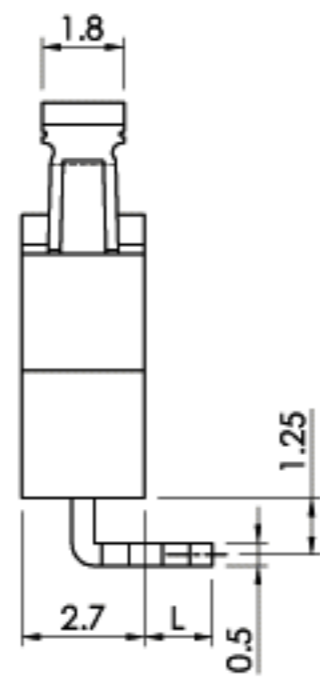
B55-1

LICO

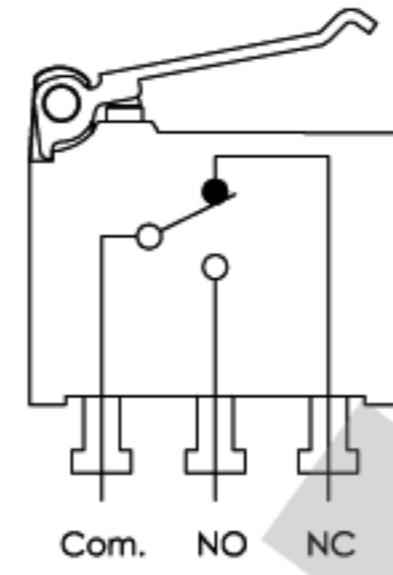
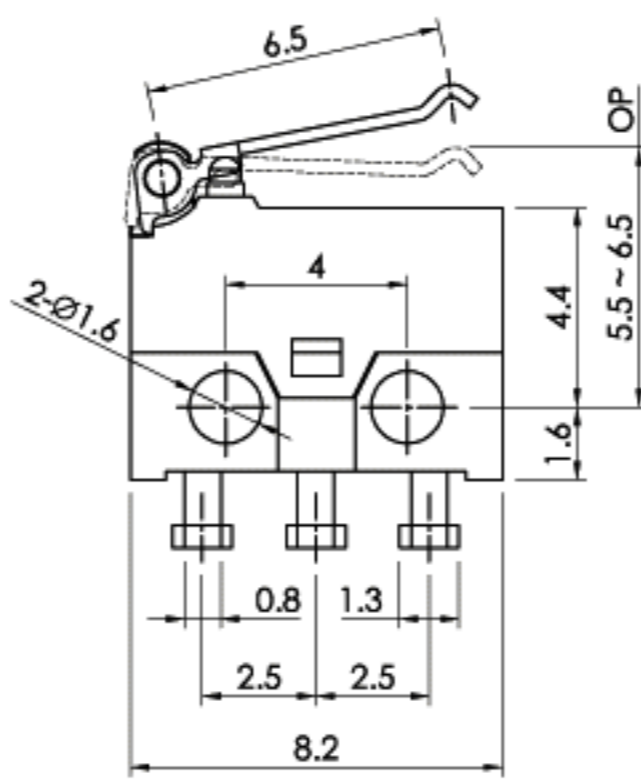
LICO Electronics [www.bauelemente.at](http://www.bauelemente.at) [office@lico.at](mailto:office@lico.at) [office@lico.hu](mailto:office@lico.hu) [office@lico.ro](mailto:office@lico.ro)



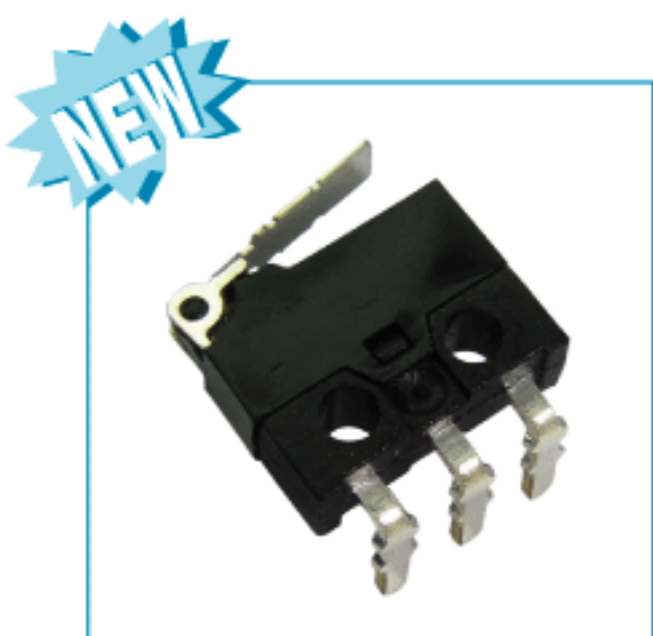
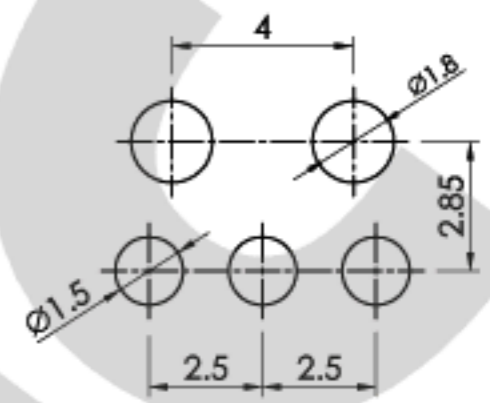
**SSM-003R**



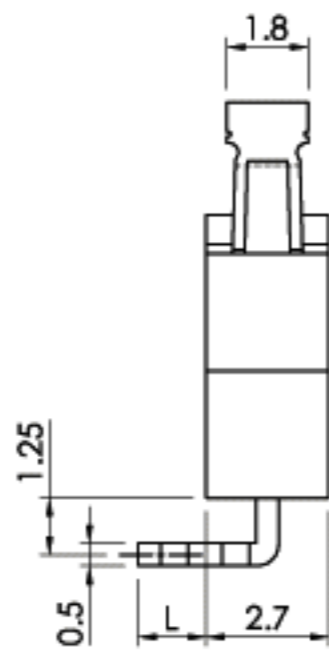
L1 = 1.5  
L2 = 3.1



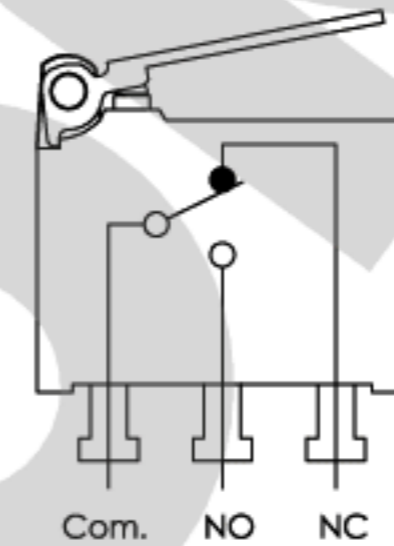
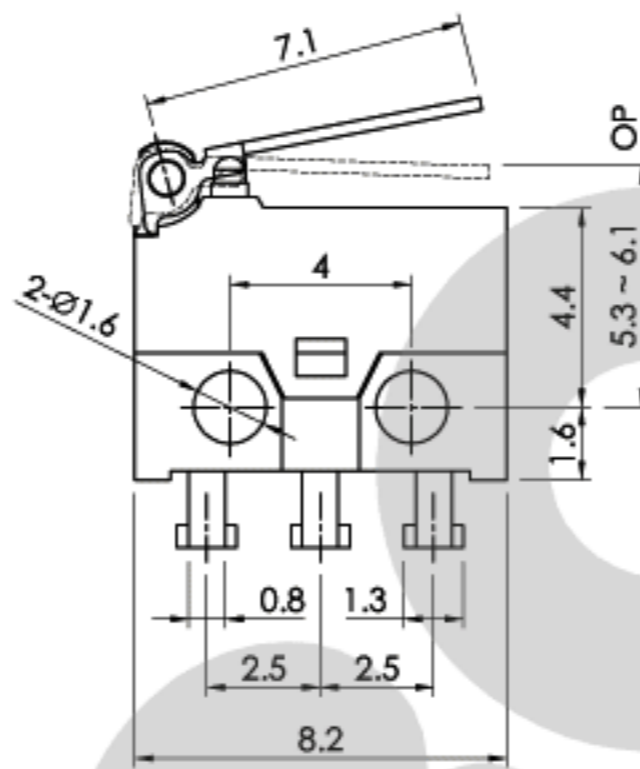
P.C.B. LAYOUT



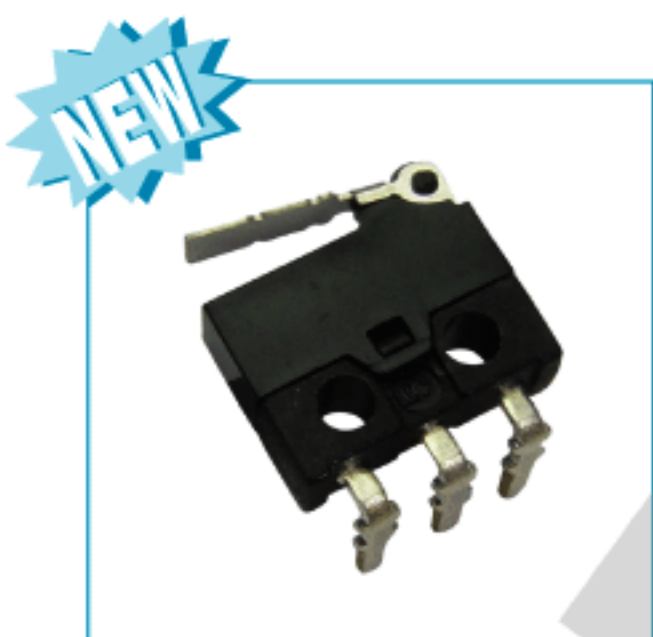
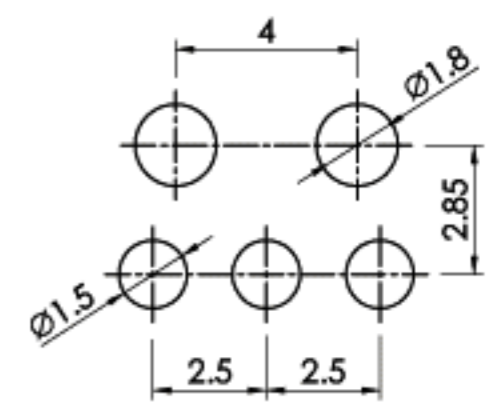
**SSM-004L**



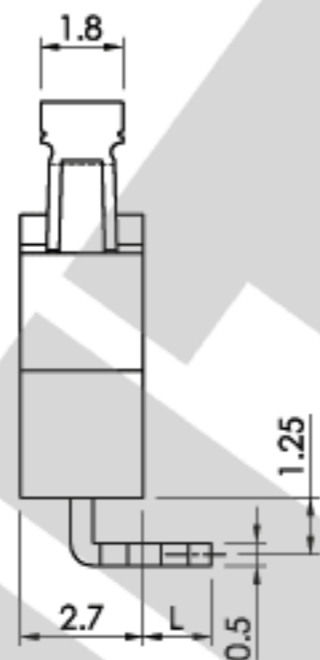
L1 = 1.5  
L2 = 3.1



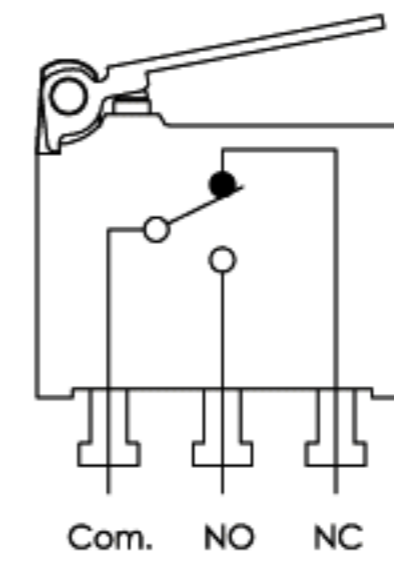
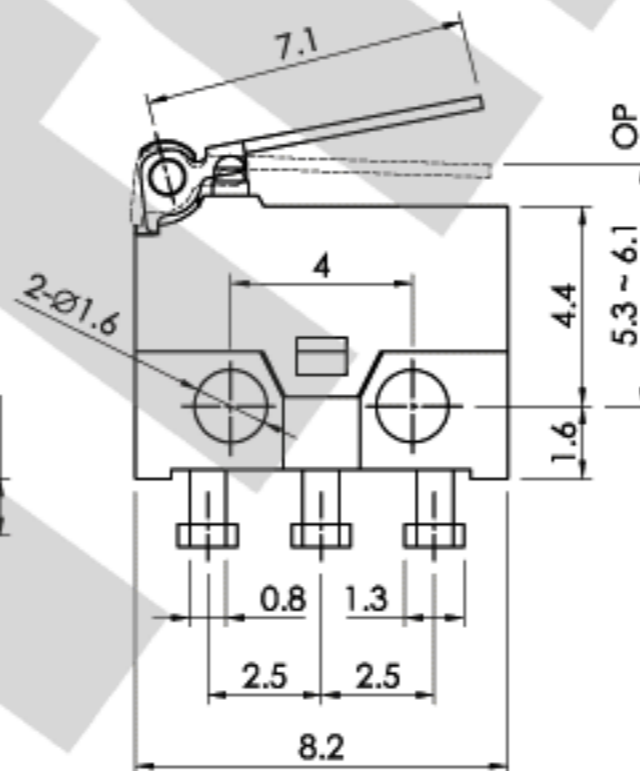
P.C.B. LAYOUT



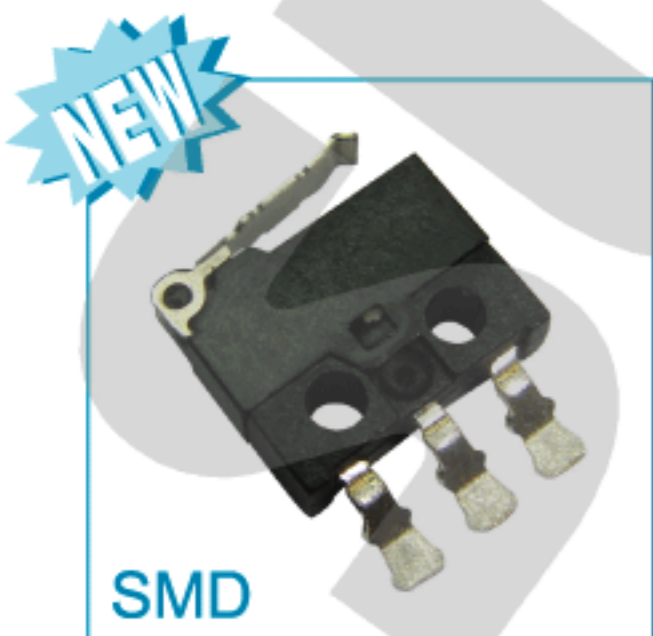
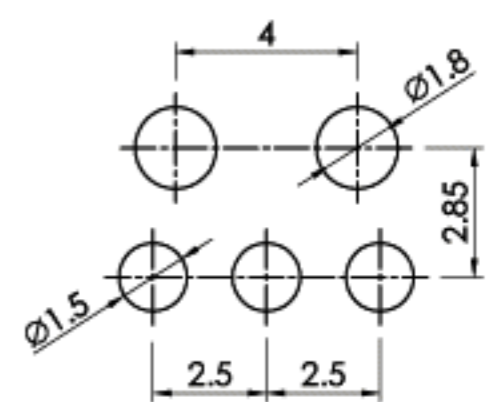
**SSM-004R**



L1 = 1.5  
L2 = 3.1

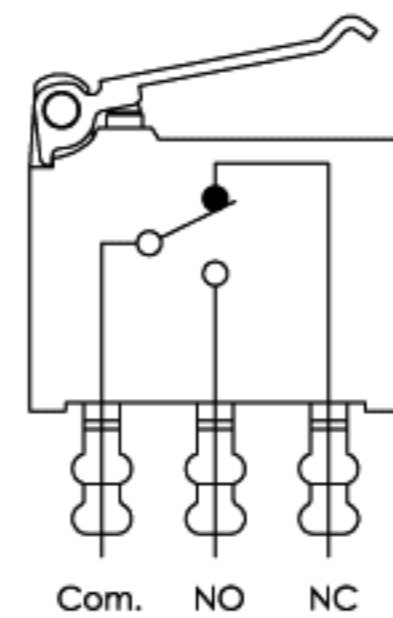
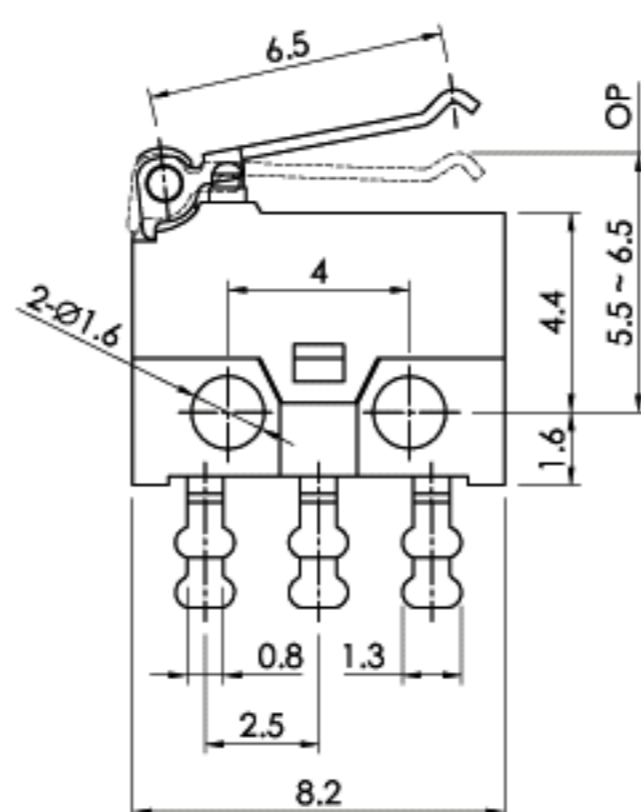
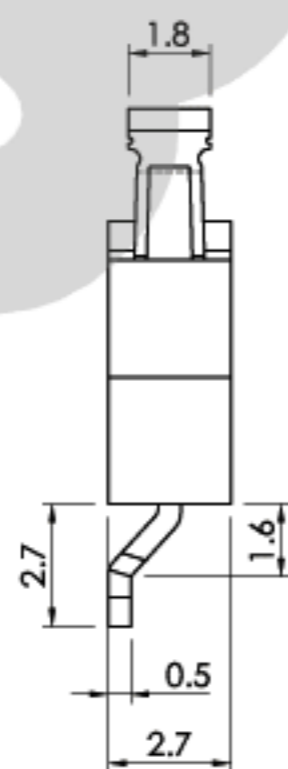


P.C.B. LAYOUT

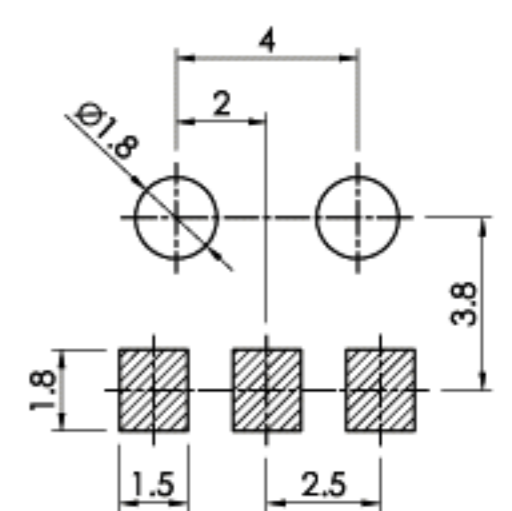


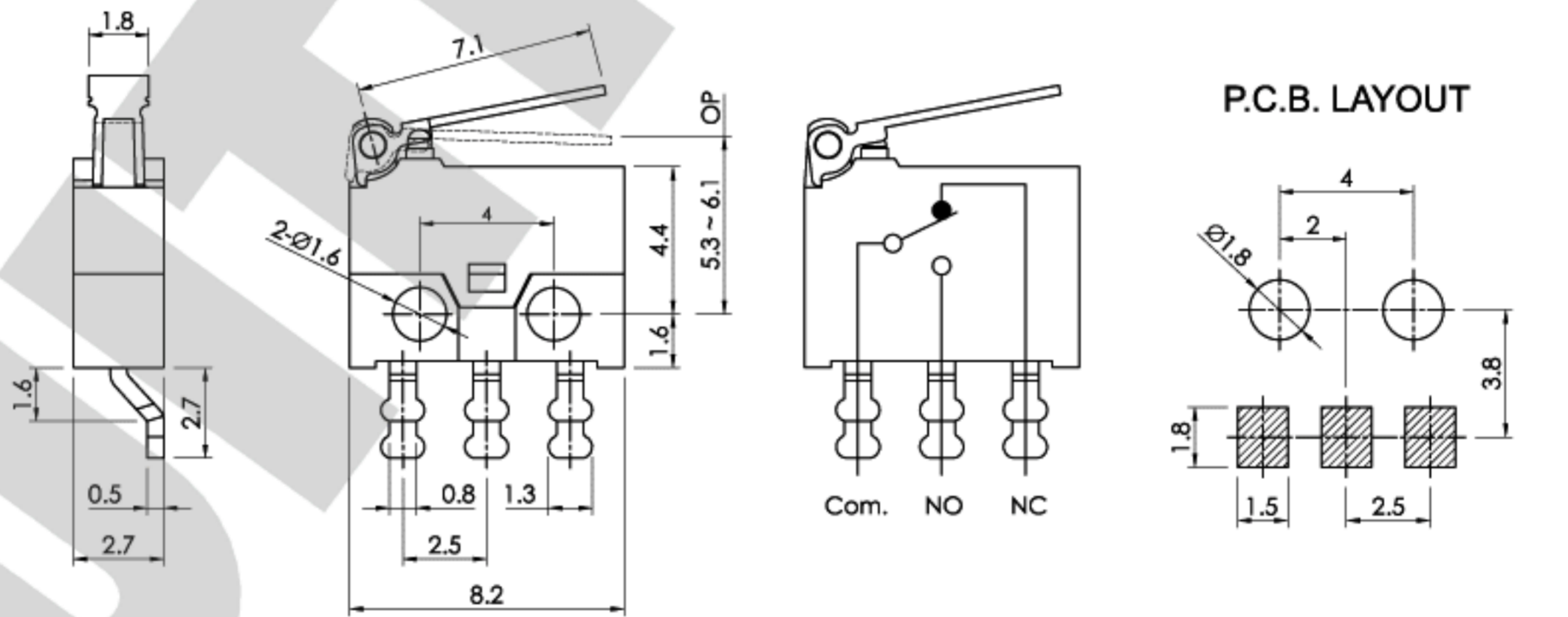
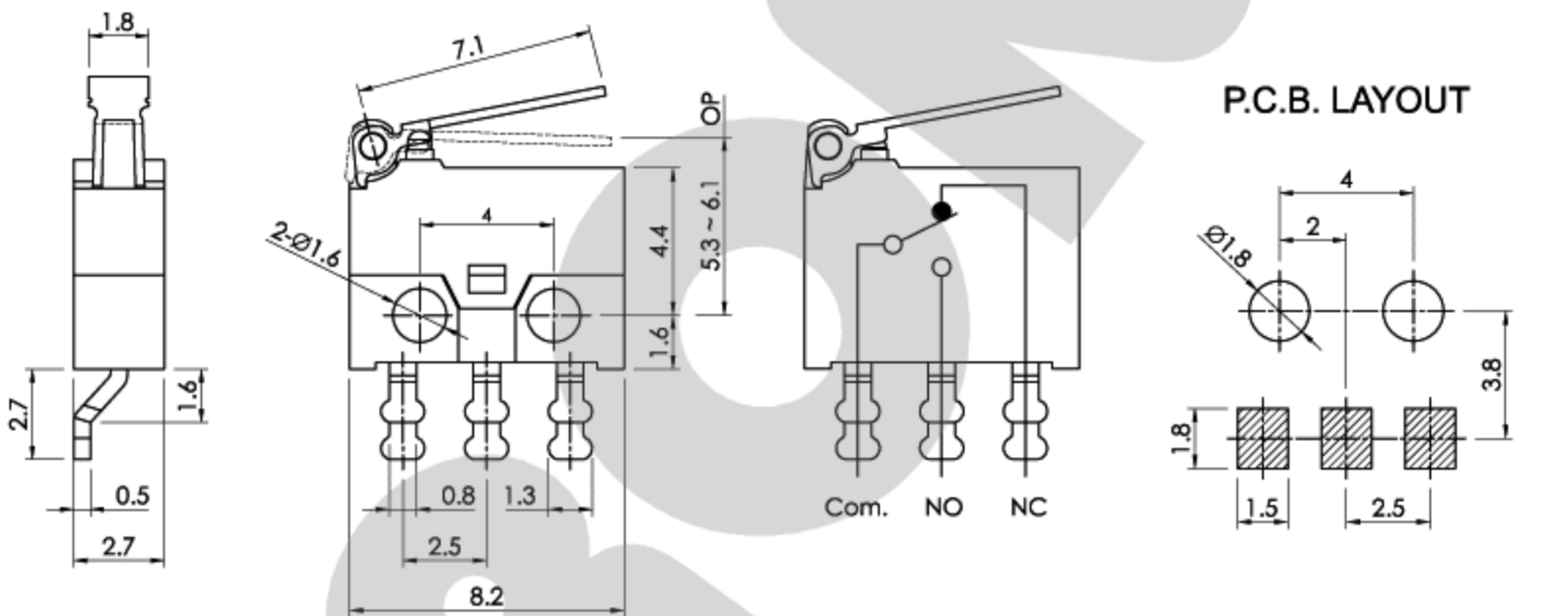
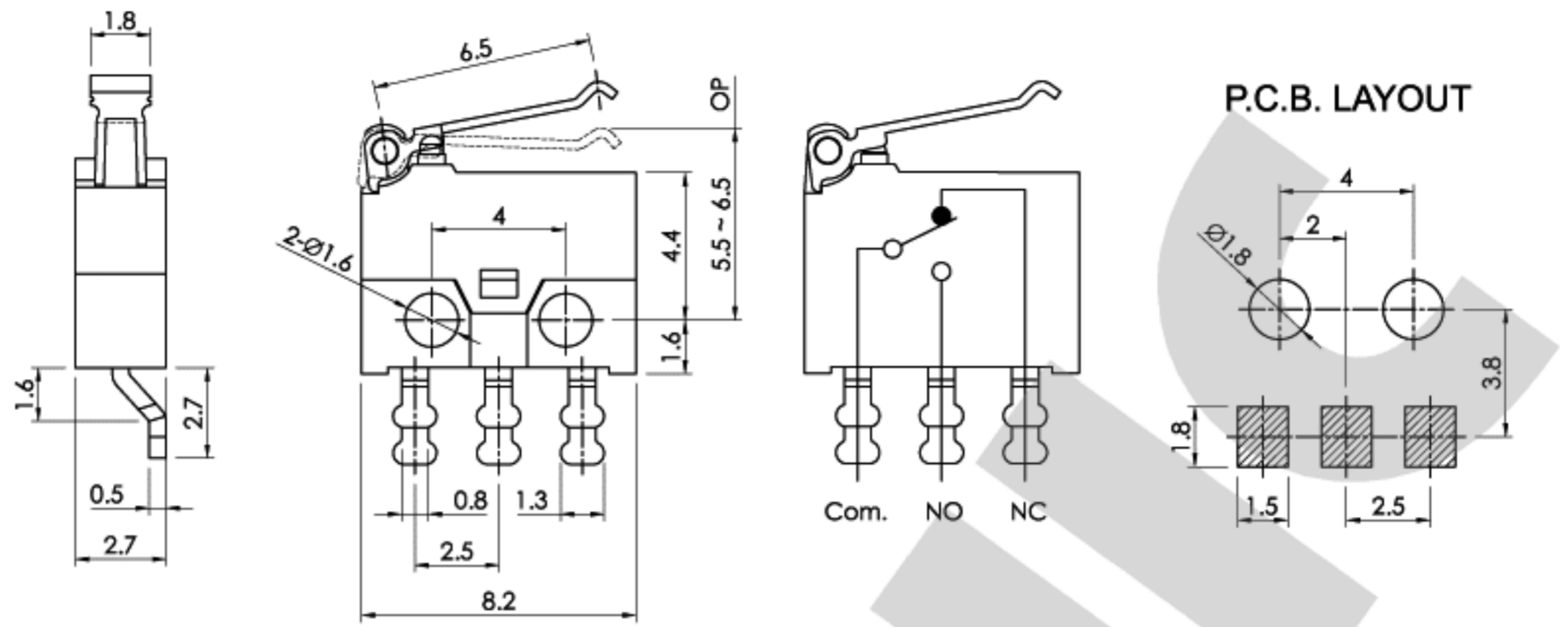
SMD

**SSM-003LS**



P.C.B. LAYOUT





## HOW TO ORDER

SSM -

**LEVER TYPE**

- 001 : Plastics lever
- 002 : NO lever
- 003 : Stainless lever
- 004 : Stainless lever

+

**TERMINAL TYPE**

- For DIP type only
- : Vertical
  - L : Left angle
  - R : Right angle

For SMD type only

- LS : Left angle
- RS : Right angle

-

**TERMINAL LENGTH (L)**

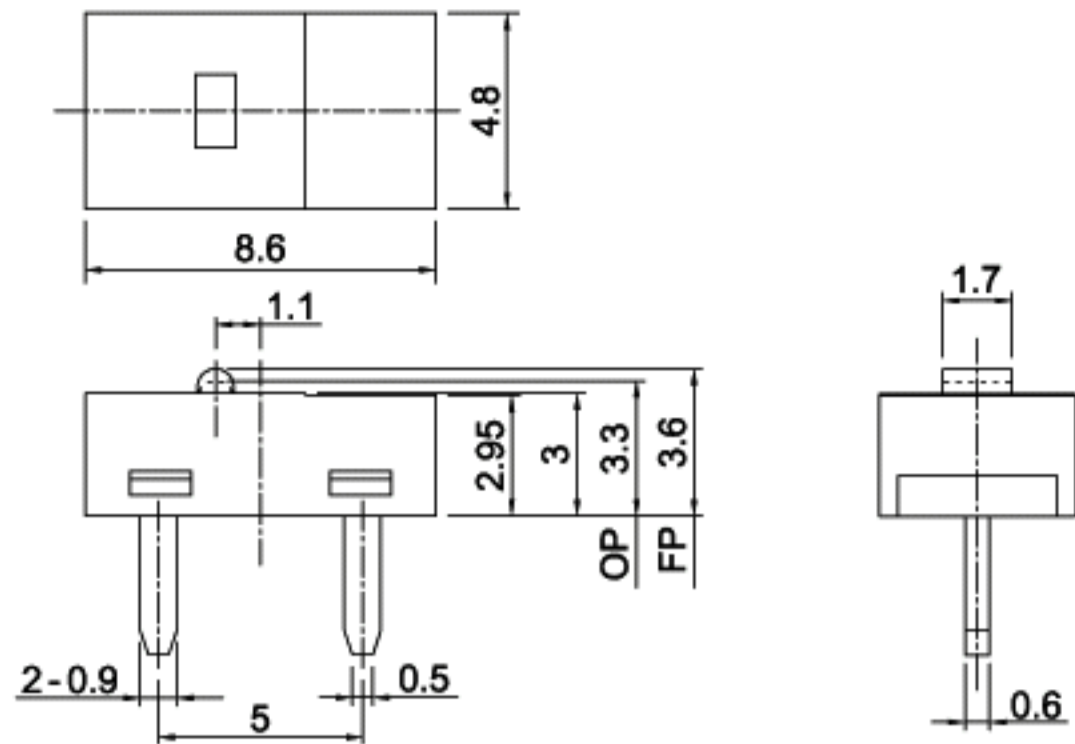
For terminal left & right angle

- : SMD type only
- L1 : 1.5mm (DIP type)
- L2 : 3.1mm (DIP type)

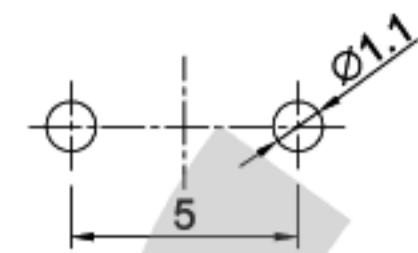
**NEW** Extra Tiny



**DS030C-00P**



**P.C.B. LAYOUT**

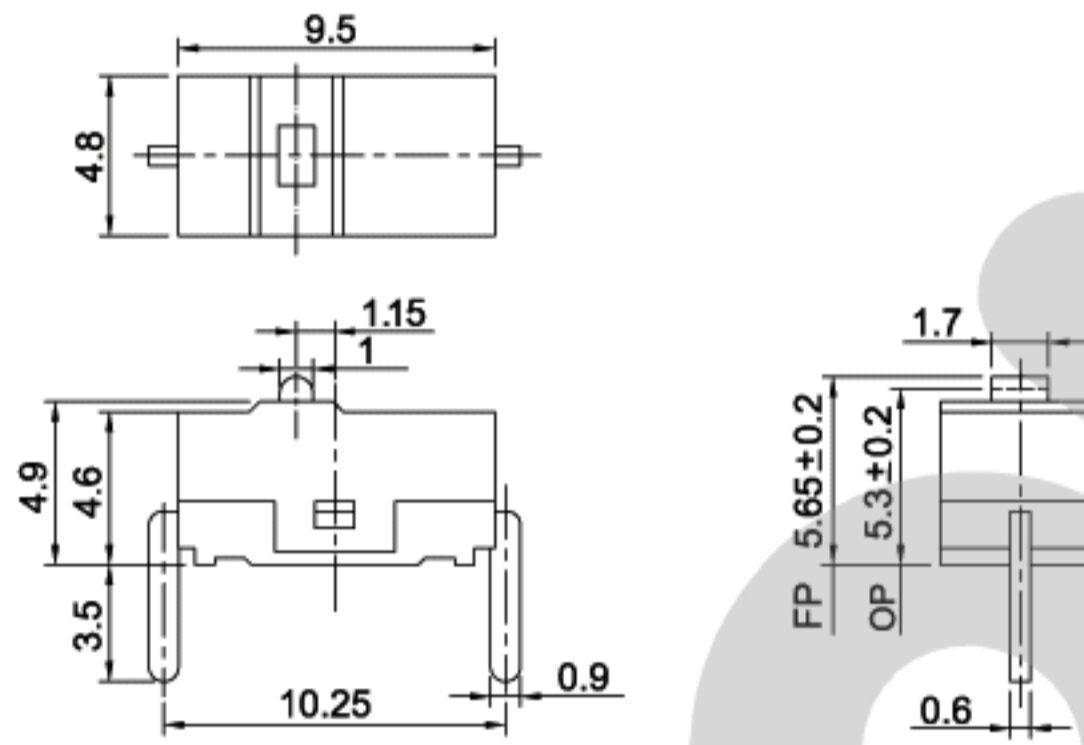


Rating: 0.1A 125V AC / 48V DC.  
 Contact Resistance:  $\leq 300\text{m}\Omega$ .  
 Insulation Resistance:  $\geq 100\text{M}\Omega$  at 250V DC.  
 Withstand Voltage: 250V AC for 1 minute.  
 Mechanical Life: 1,000,000 Cycles.  
 Electrical Life: 1,000,000 Cycles.  
 Operating Force:  $70 \pm 50\text{g}$ .

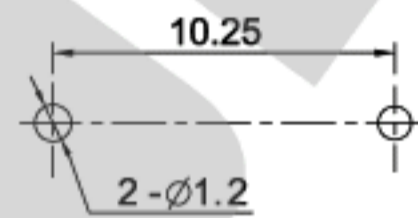
**NEW**



**DS030-00P**



**P.C.B. LAYOUT**

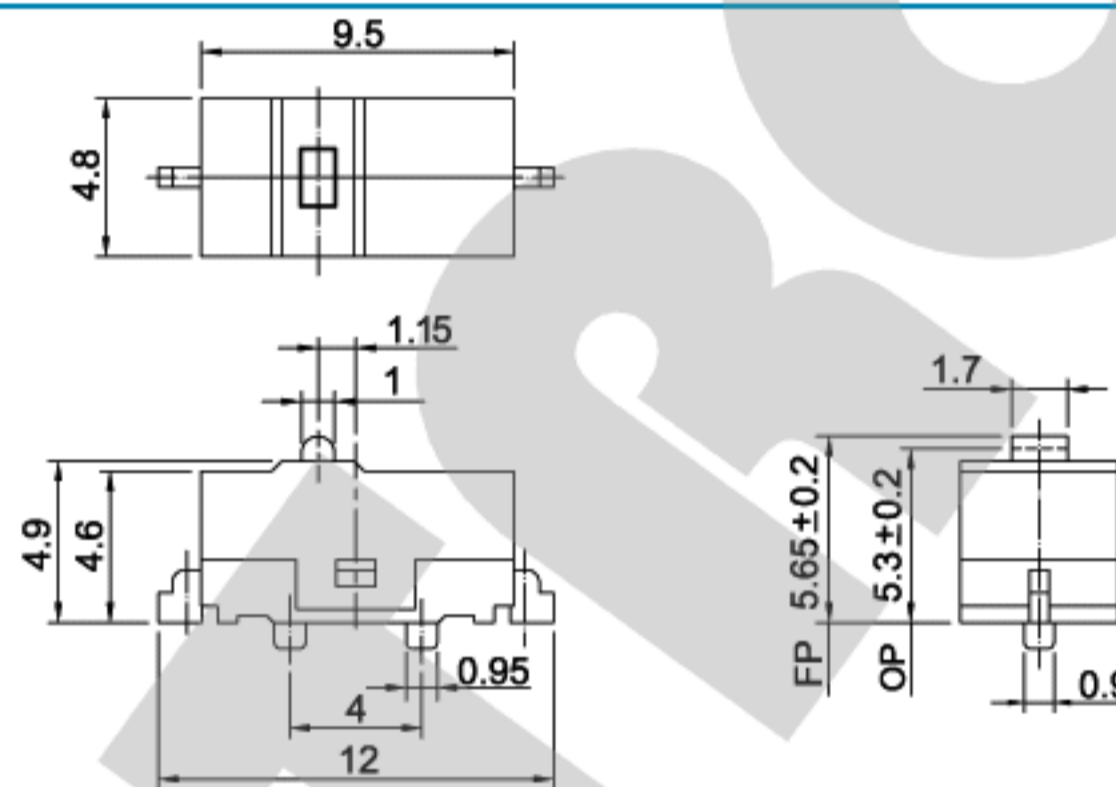


Rating: 0.1A 125V AC / 48V DC.  
 Contact Resistance:  $\leq 300\text{m}\Omega$ .  
 Insulation Resistance:  $\geq 100\text{M}\Omega$  at 250V DC.  
 Withstand Voltage: 250V AC for 1 minute.  
 Mechanical Life: 100,000 Cycles.  
 Electrical Life: 30,000 Cycles.  
 Operating Force:  $70 \pm 50\text{g}$ .

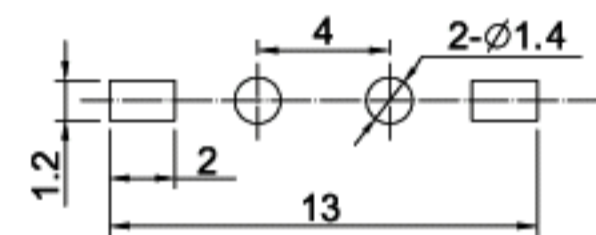
**NEW**



**DS130-00M**



**P.C.B. LAYOUT**

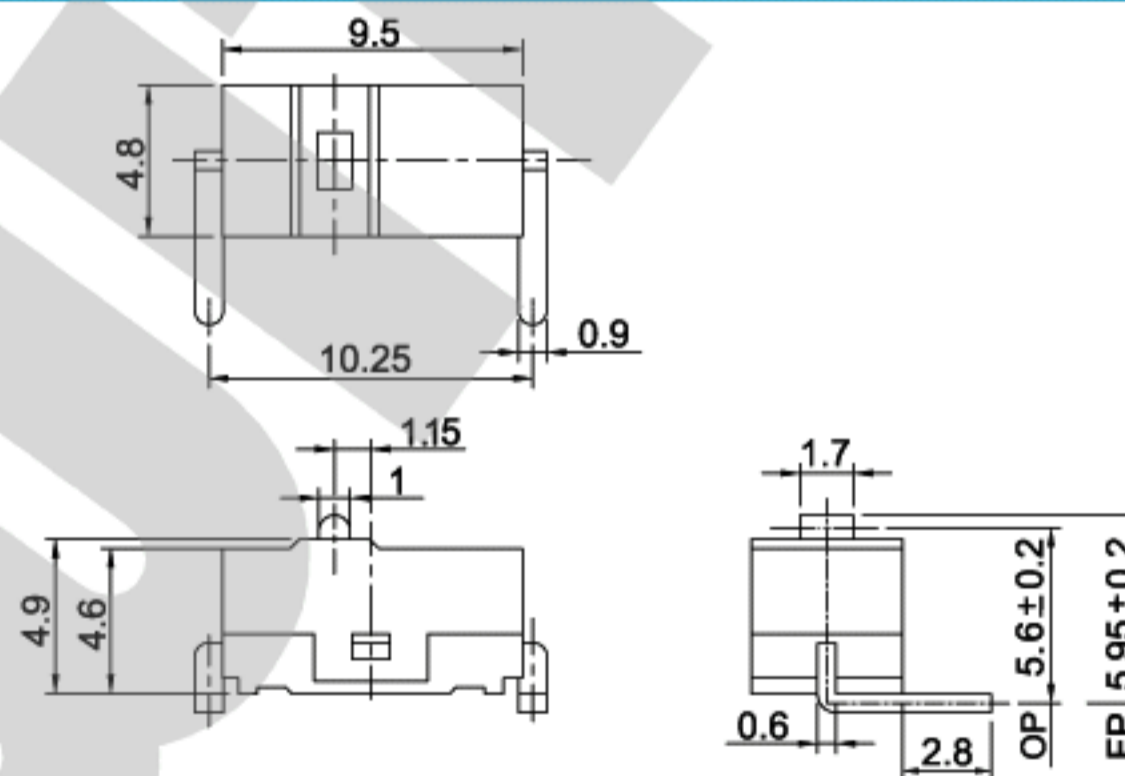


Rating: 0.1A 125V AC / 48V DC.  
 Contact Resistance:  $\leq 300\text{m}\Omega$ .  
 Insulation Resistance:  $\geq 100\text{M}\Omega$  at 250V DC.  
 Withstand Voltage: 250V AC for 1 minute.  
 Mechanical Life: 1,000,000 Cycles.  
 Electrical Life: 300,000 Cycles.  
 Operating Force:  $70 \pm 50\text{g}$ .

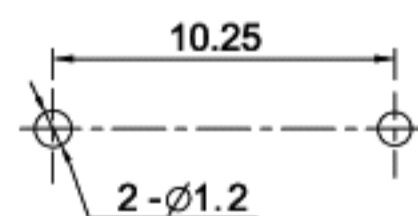
**NEW**



**DS030-00C**



**P.C.B. LAYOUT**

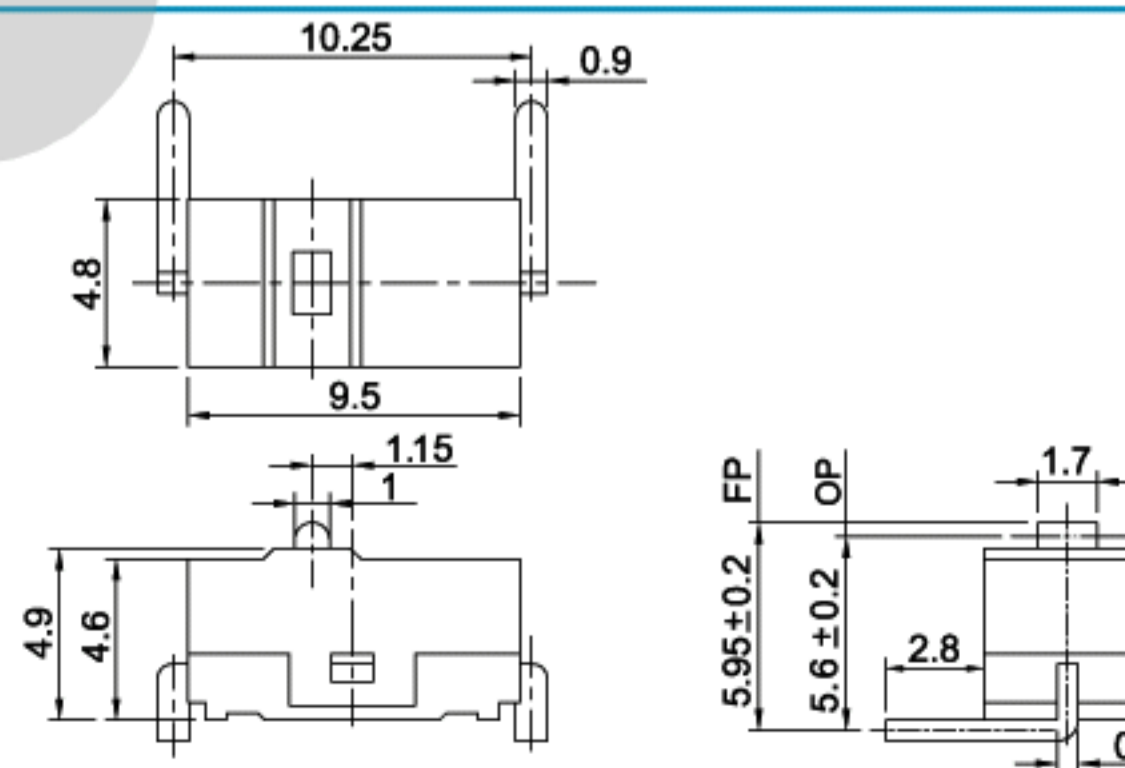


Rating: 0.1A 125V AC / 48V DC.  
 Contact Resistance:  $\leq 300\text{m}\Omega$ .  
 Insulation Resistance:  $\geq 100\text{M}\Omega$  at 250V DC.  
 Withstand Voltage: 250V AC for 1 minute.  
 Mechanical Life: 100,000 Cycles.  
 Electrical Life: 30,000 Cycles.  
 Operating Force:  $70 \pm 50\text{g}$ .

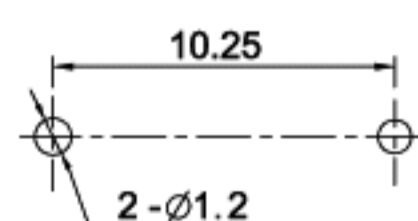
**NEW**



**DS030-00D**



**P.C.B. LAYOUT**



Rating: 0.1A 125V AC / 48V DC.  
 Contact Resistance:  $\leq 300\text{m}\Omega$ .  
 Insulation Resistance:  $\geq 100\text{M}\Omega$  at 250V DC.  
 Withstand Voltage: 250V AC for 1 minute.  
 Mechanical Life: 100,000 Cycles.  
 Electrical Life: 30,000 Cycles.  
 Operating Force:  $70 \pm 50\text{g}$ .