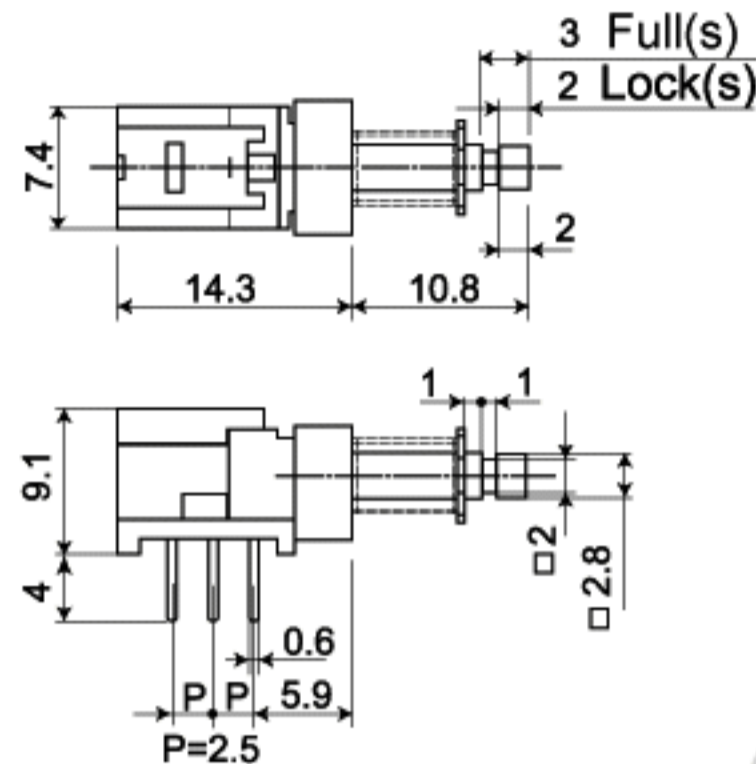


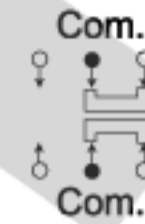
PS909 Tiny Pushbutton Switches W/Cap

LICO

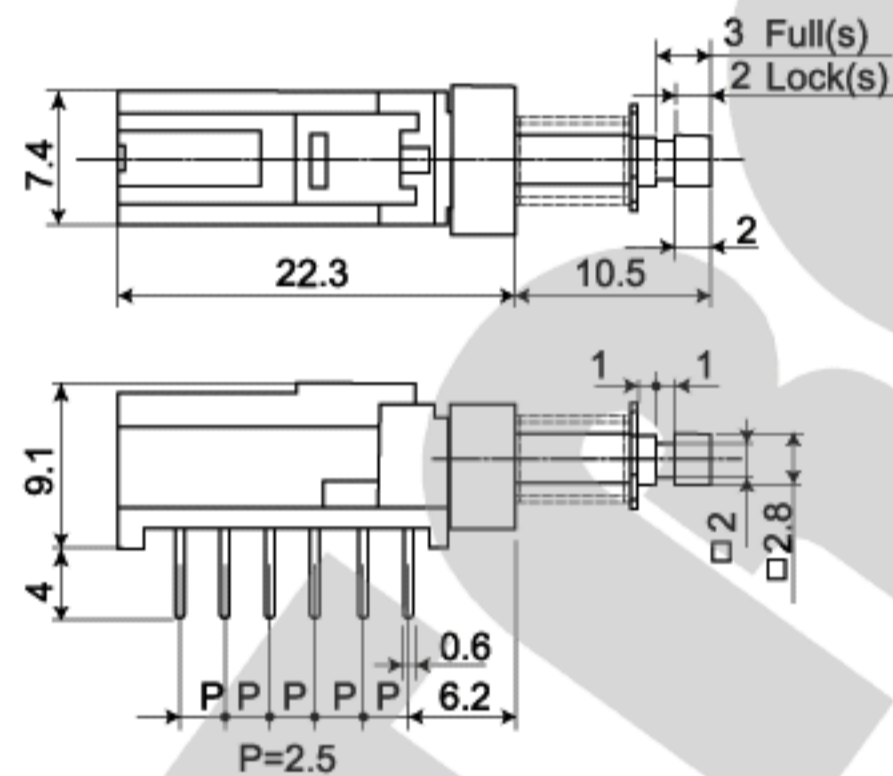
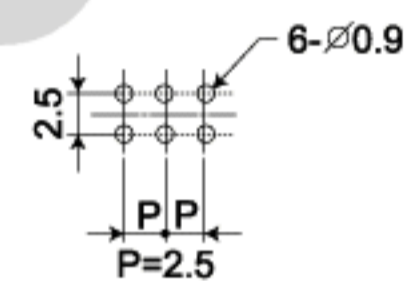
Rating	: 0.1A 30V DC	Mechanical Life	: 30,000 Cycles
Insulation Resistance	: > 100MΩ at 250V DC	Electrical Life	: 10,000 Cycles
Withstand Voltage	: 250V AC for 1 minute	Ambient Temperature	: -20°C ~ +70°C
Contact Resistance	: ≤50mΩ	Ambient Humidity	: <85%RH
Soldering Temperature	: 245±5°C Max. for 3 sec.	Operating force	: 100 ~ 400g



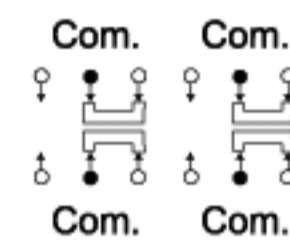
SCHEMATIC



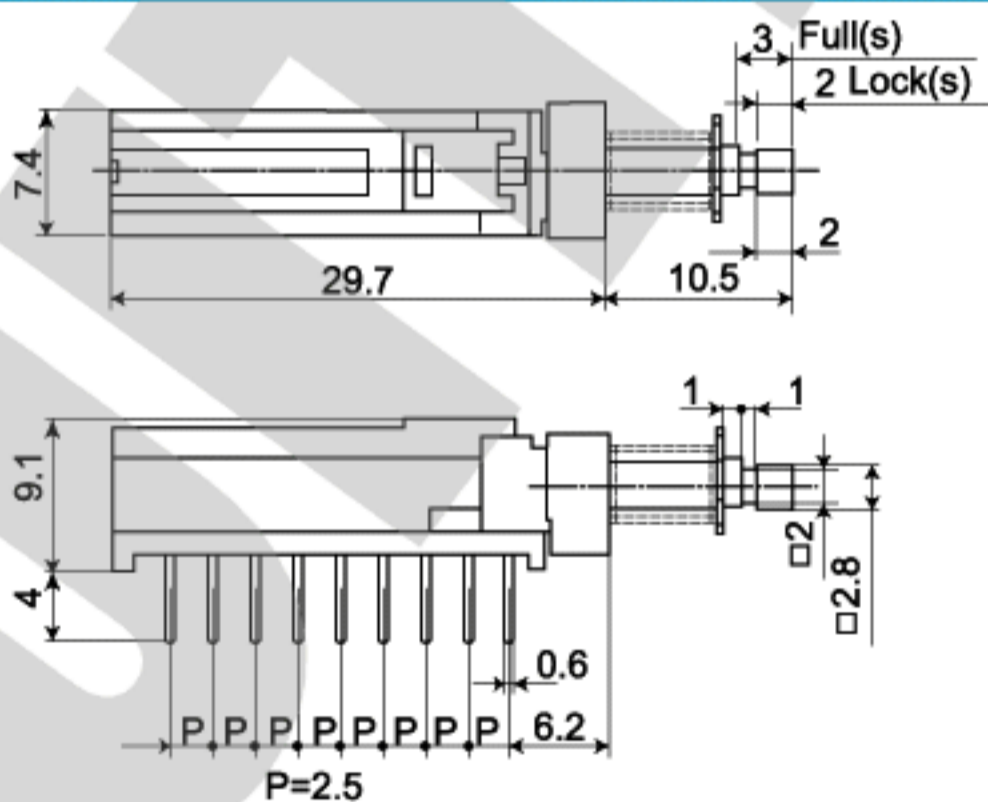
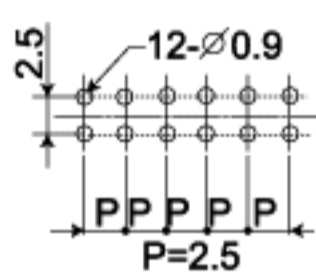
P.C.B. LAYOUT



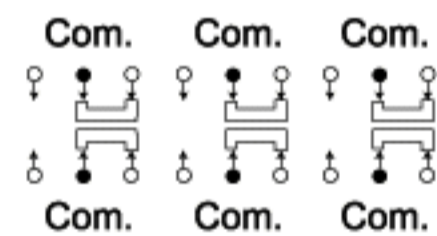
SCHEMATIC



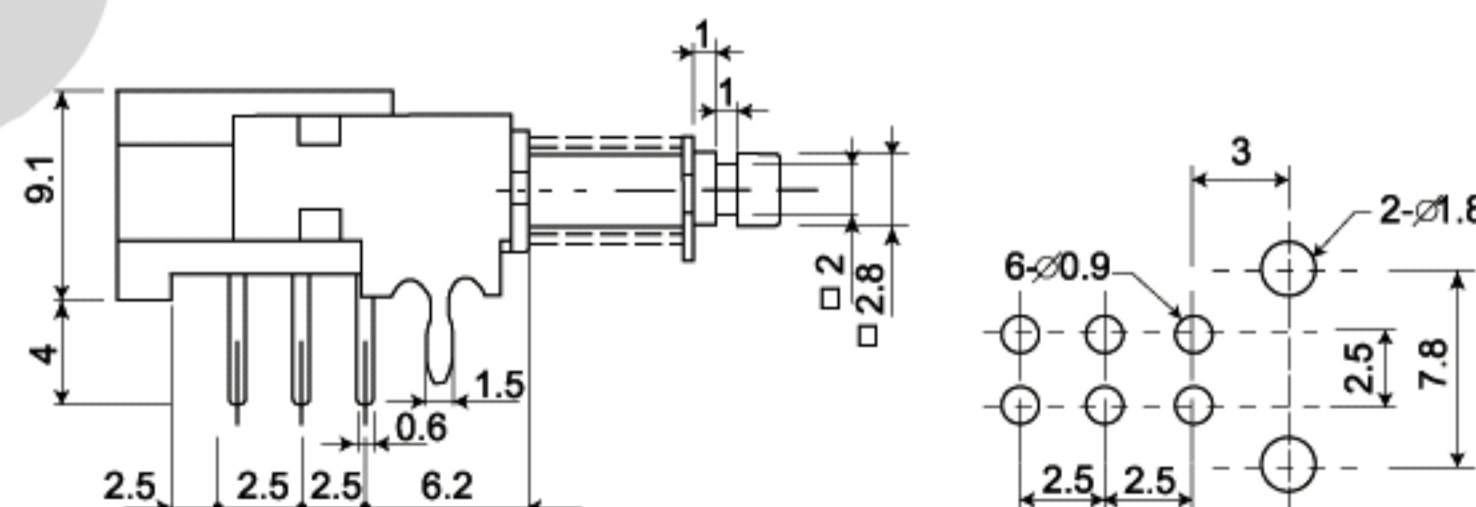
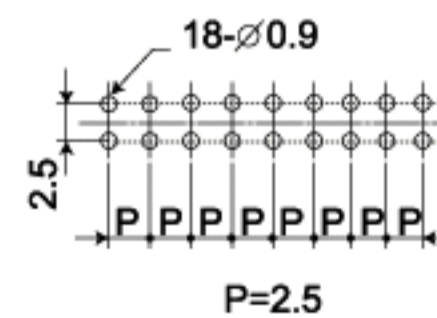
P.C.B. LAYOUT



SCHEMATIC



P.C.B. LAYOUT



CAP STYLES

