

PB Series Pushbutton Switches

Tiny

LICO

SPECIFICATION:

Withstand voltage	: 1500V AC	Contact resistance	: 20mΩ Max.
Circuit	: SPST	Contact rating	: 1A 250V AC
Electrical life	: 50,000 Cycles Min.		: 3A 125V AC
Mechanical life	: 100,000 Cycles Min.	Insulation resistance	: 100MΩ

BUTTON COLOR CHART:

COLOR NO.	COLOR	COLOR NO.	COLOR
W	White	GN	Green
B	Black	BU	Blue
R	Red (Std.)	BR	Brown
O	Orange	G	Gray
Y	Yellow		

<p>Tiny</p> <table border="1"> <thead> <tr> <th>MODEL NO.</th> <th>TYPE</th> </tr> </thead> <tbody> <tr> <td>SPB-11A</td> <td>OFF ON</td> </tr> <tr> <td>SPB-11B</td> <td>OFF (ON)</td> </tr> </tbody> </table>	MODEL NO.	TYPE	SPB-11A	OFF ON	SPB-11B	OFF (ON)	<p>Tiny</p> <table border="1"> <thead> <tr> <th>MODEL NO.</th> <th>TYPE</th> </tr> </thead> <tbody> <tr> <td>SPB-14A</td> <td>OFF ON</td> </tr> <tr> <td>SPB-14B</td> <td>OFF (ON)</td> </tr> </tbody> </table>	MODEL NO.	TYPE	SPB-14A	OFF ON	SPB-14B	OFF (ON)	<p>Tiny</p> <table border="1"> <thead> <tr> <th>MODEL NO.</th> <th>TYPE</th> </tr> </thead> <tbody> <tr> <td>SPB-10A</td> <td>OFF ON</td> </tr> <tr> <td>SPB-10B</td> <td>OFF (ON)</td> </tr> </tbody> </table>	MODEL NO.	TYPE	SPB-10A	OFF ON	SPB-10B	OFF (ON)						
MODEL NO.	TYPE																									
SPB-11A	OFF ON																									
SPB-11B	OFF (ON)																									
MODEL NO.	TYPE																									
SPB-14A	OFF ON																									
SPB-14B	OFF (ON)																									
MODEL NO.	TYPE																									
SPB-10A	OFF ON																									
SPB-10B	OFF (ON)																									
<table border="1"> <thead> <tr> <th>MODEL NO.</th> <th>TYPE</th> </tr> </thead> <tbody> <tr> <td>PB-11A</td> <td>OFF ON</td> </tr> <tr> <td>PB-11B</td> <td>OFF (ON)</td> </tr> <tr> <td>PB-11C</td> <td>ON (OFF)</td> </tr> </tbody> </table>	MODEL NO.	TYPE	PB-11A	OFF ON	PB-11B	OFF (ON)	PB-11C	ON (OFF)	<table border="1"> <thead> <tr> <th>MODEL NO.</th> <th>TYPE</th> </tr> </thead> <tbody> <tr> <td>PB-14A</td> <td>OFF ON</td> </tr> <tr> <td>PB-14B</td> <td>OFF (ON)</td> </tr> <tr> <td>PB-14C</td> <td>ON (OFF)</td> </tr> </tbody> </table>	MODEL NO.	TYPE	PB-14A	OFF ON	PB-14B	OFF (ON)	PB-14C	ON (OFF)	<table border="1"> <thead> <tr> <th>MODEL NO.</th> <th>TYPE</th> </tr> </thead> <tbody> <tr> <td>PB-10A</td> <td>OFF ON</td> </tr> <tr> <td>PB-10B</td> <td>OFF (ON)</td> </tr> <tr> <td>PB-10C</td> <td>ON (OFF)</td> </tr> </tbody> </table>	MODEL NO.	TYPE	PB-10A	OFF ON	PB-10B	OFF (ON)	PB-10C	ON (OFF)
MODEL NO.	TYPE																									
PB-11A	OFF ON																									
PB-11B	OFF (ON)																									
PB-11C	ON (OFF)																									
MODEL NO.	TYPE																									
PB-14A	OFF ON																									
PB-14B	OFF (ON)																									
PB-14C	ON (OFF)																									
MODEL NO.	TYPE																									
PB-10A	OFF ON																									
PB-10B	OFF (ON)																									
PB-10C	ON (OFF)																									
<table border="1"> <thead> <tr> <th>MODEL NO.</th> <th>TYPE</th> </tr> </thead> <tbody> <tr> <td>PB-18A</td> <td>OFF ON</td> </tr> <tr> <td>PB-18B</td> <td>OFF (ON)</td> </tr> </tbody> </table>	MODEL NO.	TYPE	PB-18A	OFF ON	PB-18B	OFF (ON)	<table border="1"> <thead> <tr> <th>MODEL NO.</th> <th>TYPE</th> </tr> </thead> <tbody> <tr> <td>PB-13A</td> <td>OFF ON</td> </tr> <tr> <td>PB-13B</td> <td>OFF (ON)</td> </tr> </tbody> </table>	MODEL NO.	TYPE	PB-13A	OFF ON	PB-13B	OFF (ON)	<table border="1"> <thead> <tr> <th>MODEL NO.</th> <th>TYPE</th> </tr> </thead> <tbody> <tr> <td>PB-02E</td> <td>OFF (ON)</td> </tr> <tr> <td>PB-02FE</td> <td>ON (OFF)</td> </tr> </tbody> </table>	MODEL NO.	TYPE	PB-02E	OFF (ON)	PB-02FE	ON (OFF)						
MODEL NO.	TYPE																									
PB-18A	OFF ON																									
PB-18B	OFF (ON)																									
MODEL NO.	TYPE																									
PB-13A	OFF ON																									
PB-13B	OFF (ON)																									
MODEL NO.	TYPE																									
PB-02E	OFF (ON)																									
PB-02FE	ON (OFF)																									
<table border="1"> <thead> <tr> <th>MODEL NO.</th> <th>TYPE</th> </tr> </thead> <tbody> <tr> <td>PB-02T</td> <td>OFF (ON)</td> </tr> </tbody> </table>	MODEL NO.	TYPE	PB-02T	OFF (ON)	<p>N.O LOCK Type</p> <table border="1"> <thead> <tr> <th>MODEL NO.</th> <th>TYPE</th> </tr> </thead> <tbody> <tr> <td>PB-05-7</td> <td>OFF (ON)</td> </tr> <tr> <td>PB-05A-7</td> <td>OFF ON LOCK</td> </tr> </tbody> </table>	MODEL NO.	TYPE	PB-05-7	OFF (ON)	PB-05A-7	OFF ON LOCK	<p>N.C Type</p> <table border="1"> <thead> <tr> <th>MODEL NO.</th> <th>TYPE</th> </tr> </thead> <tbody> <tr> <td>PB-05-8F</td> <td>ON (OFF)</td> </tr> </tbody> </table>	MODEL NO.	TYPE	PB-05-8F	ON (OFF)										
MODEL NO.	TYPE																									
PB-02T	OFF (ON)																									
MODEL NO.	TYPE																									
PB-05-7	OFF (ON)																									
PB-05A-7	OFF ON LOCK																									
MODEL NO.	TYPE																									
PB-05-8F	ON (OFF)																									

PB Series Pushbutton Switches

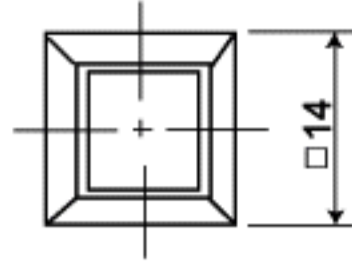


PB-02AK (LOCK TYPE)

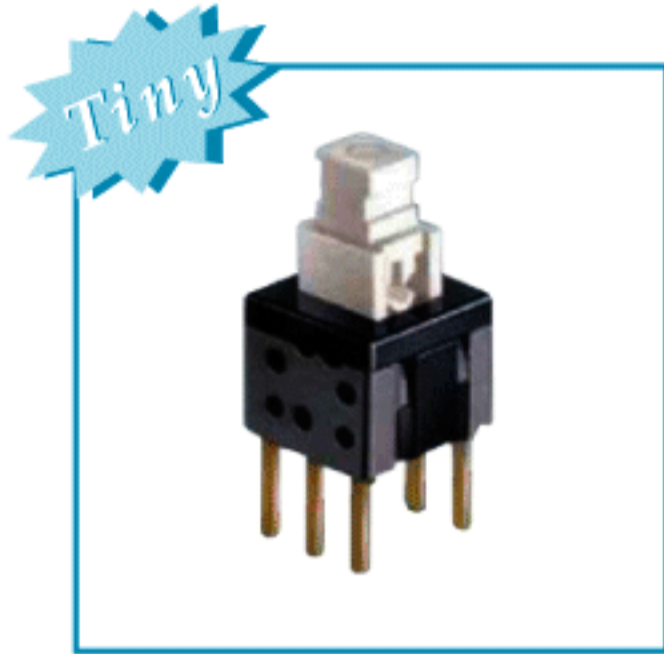
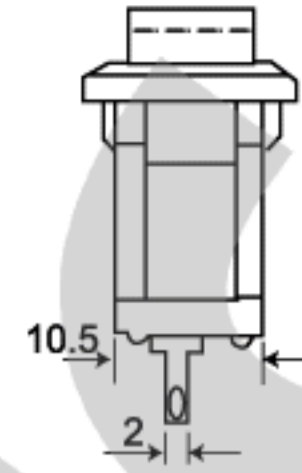
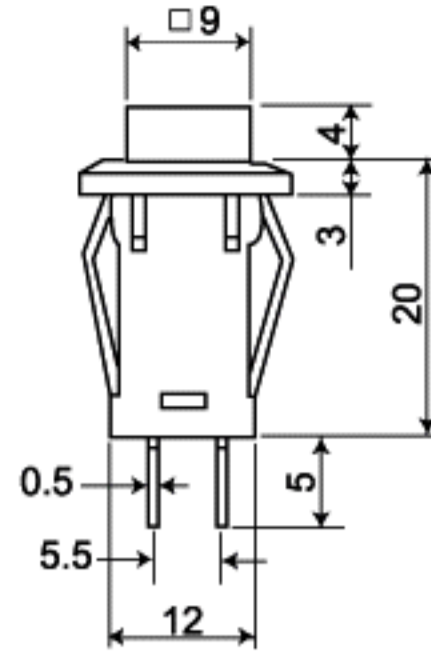


Lock

MODEL NO.	TYPE
PB-02AK	OFF ON Lock



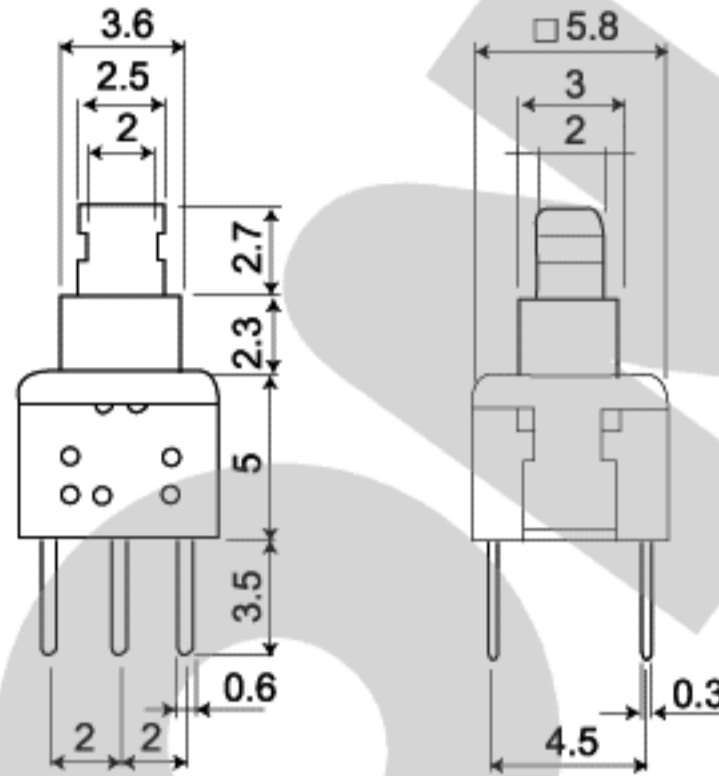
1A 250V AC
3A 125V AC



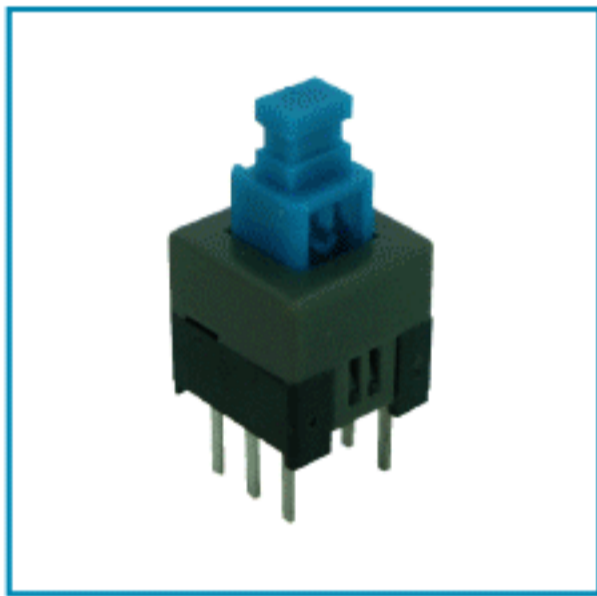
Tiny

MODEL NO.	TYPE
MPS-580	Lock
MPS-580N	Non-lock

0.1A 30V DC



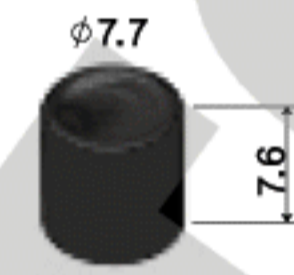
- Rating : 0.1A 30V DC
- Circuit : DPDT
- Operating Mode : Self Lock
Non-Lock
- Stroke : Full : 1.8mm
Lock: 1.0mm
- Operating force : 150±80gf



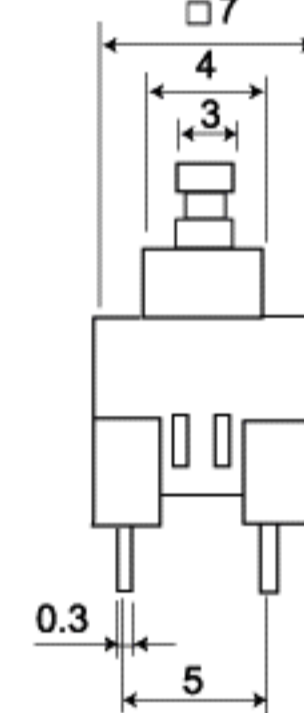
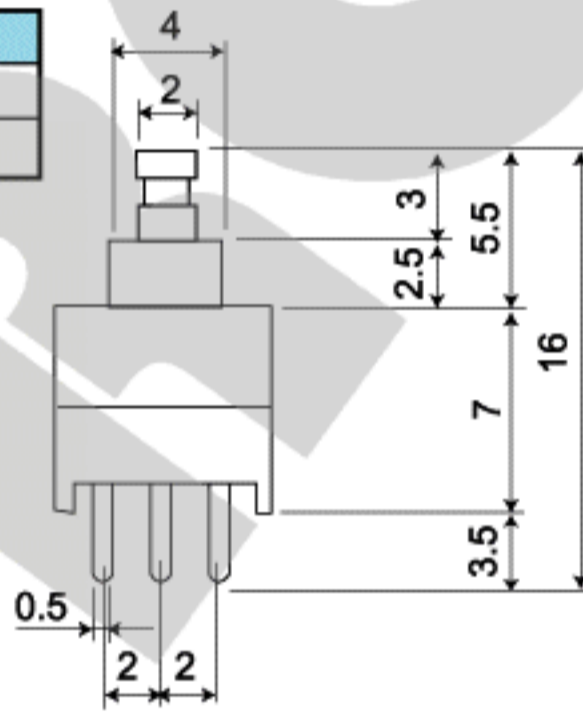
0.1A 30V DC

MODEL NO.	TYPE
MPS-700	Lock
MPS-700N	Non-lock

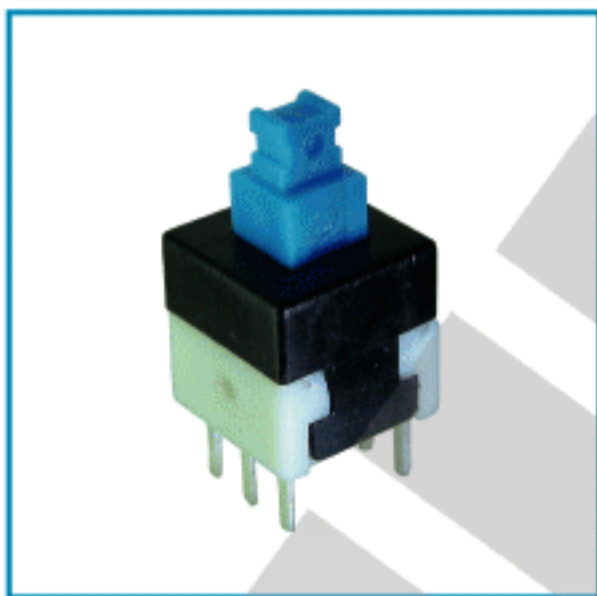
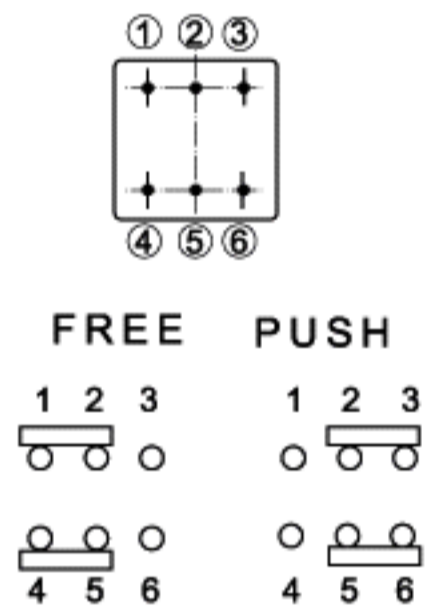
CAP C13



RED, BLACK



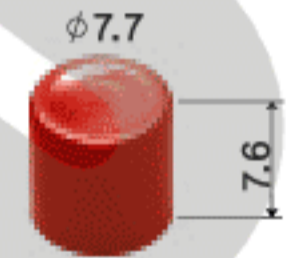
SCHEMATIC



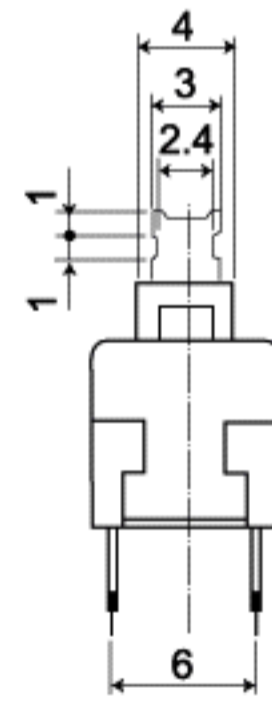
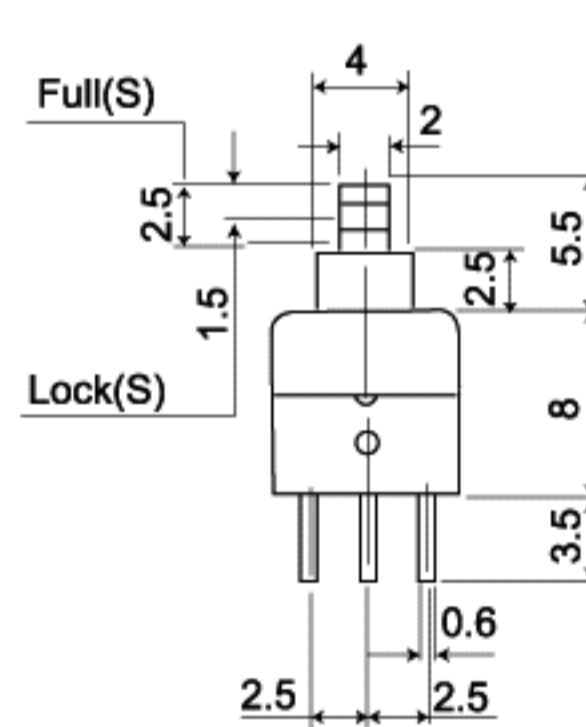
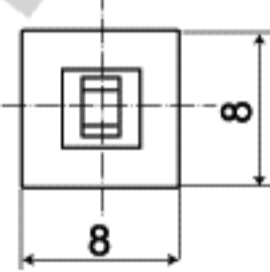
0.1A 30V DC

MODEL NO.	TYPE
MPS-800	Lock
MPS-800N	Non-lock
MPS-800V	Non-lock Click sound

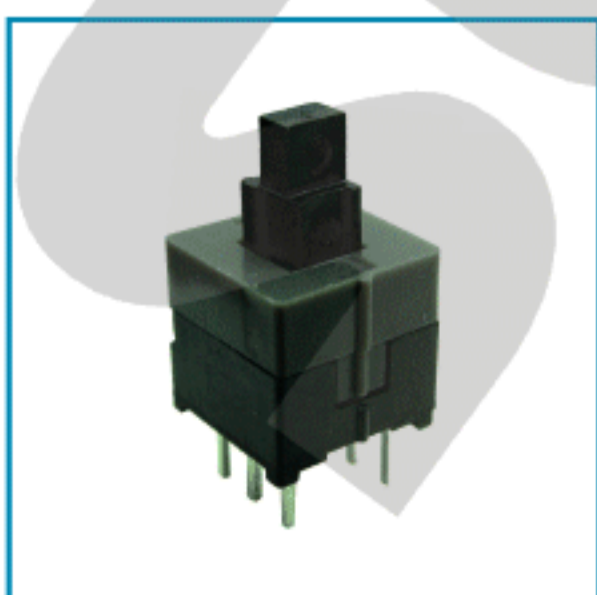
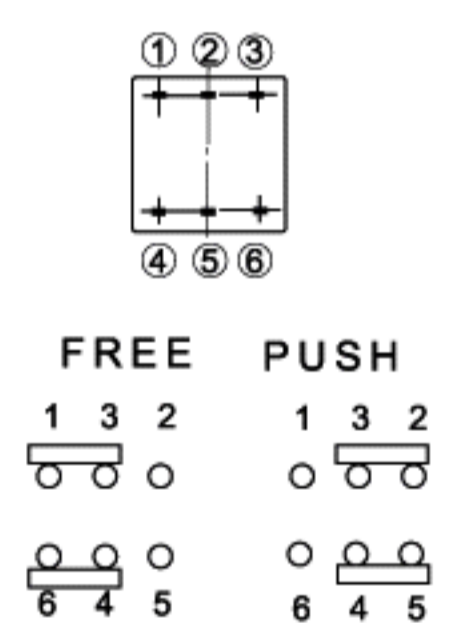
CAP C13



RED, BLACK



SCHEMATIC



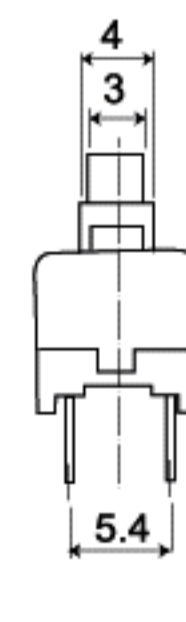
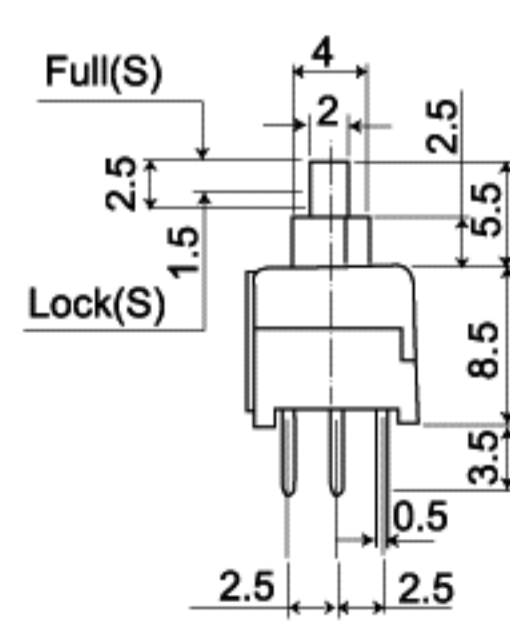
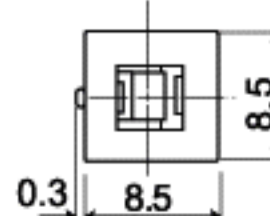
0.3A 30V DC

MODEL NO.	TYPE
MPS-850	Lock
MPS-850N	Non-lock
MPS-850V	Non-lock Click sound

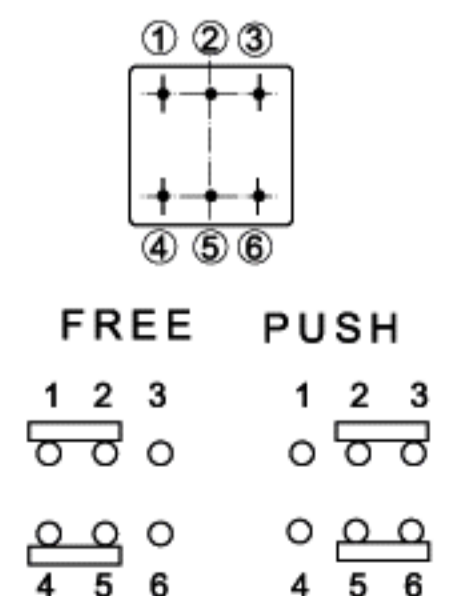
CAP C13



RED, BLACK



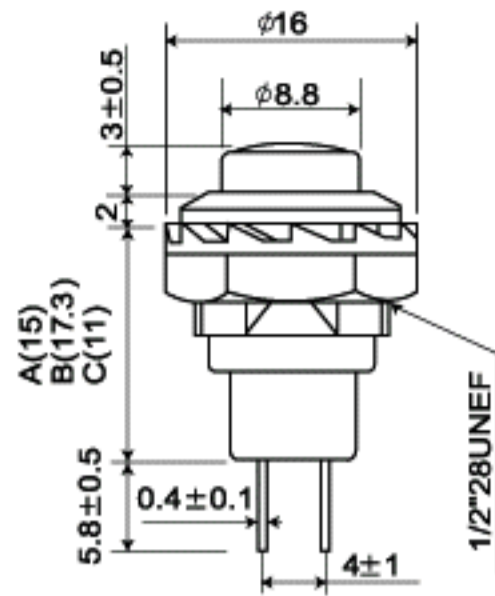
SCHEMATIC



Push Switches W/LED ILLUMINATED

LICO

R13-502



1.5A 250V AC
3A 125V AC

BODY

Plastic body

M Metal body



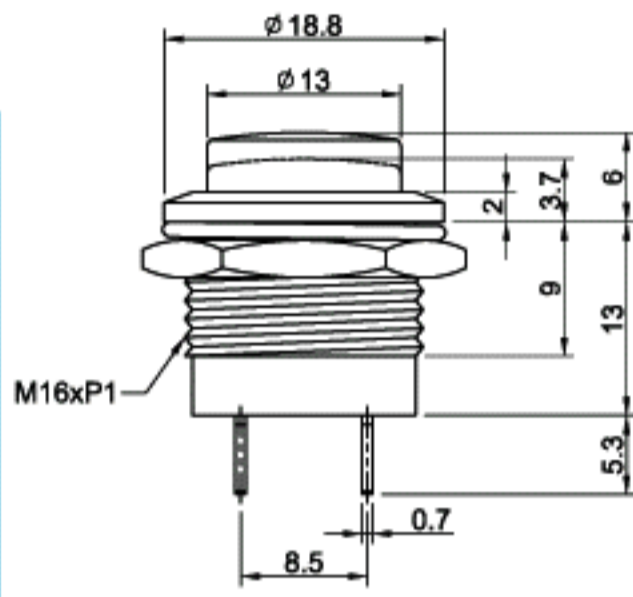
ø12.7

3mm Max.

FUNCTION



R13-507



ø16
6mm Max.

BODY

Plastic body

M Metal body

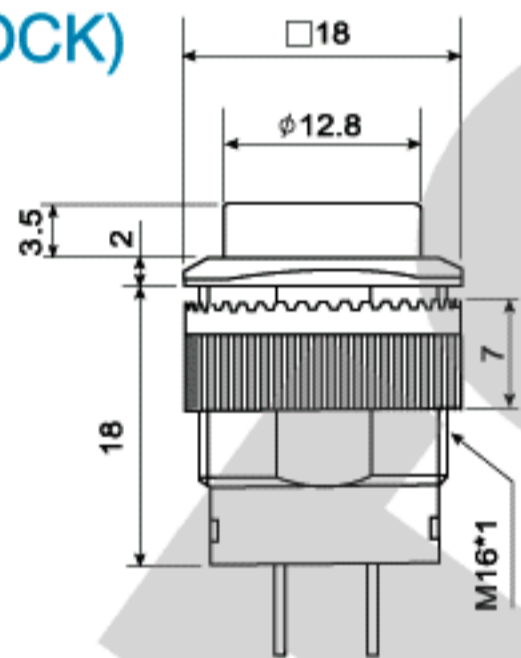
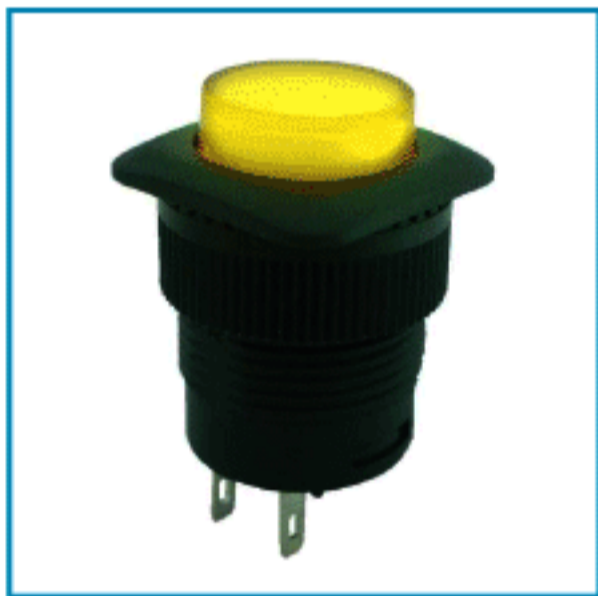


FUNCTION

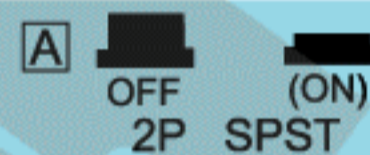


3A 250V AC
6A 125V AC

R13-508 (W/ LED, LOCK)



FUNCTION



BUTTON

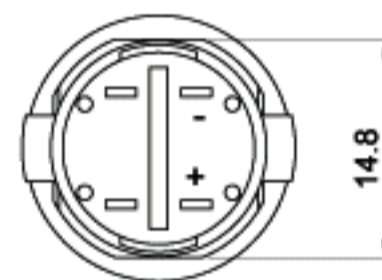
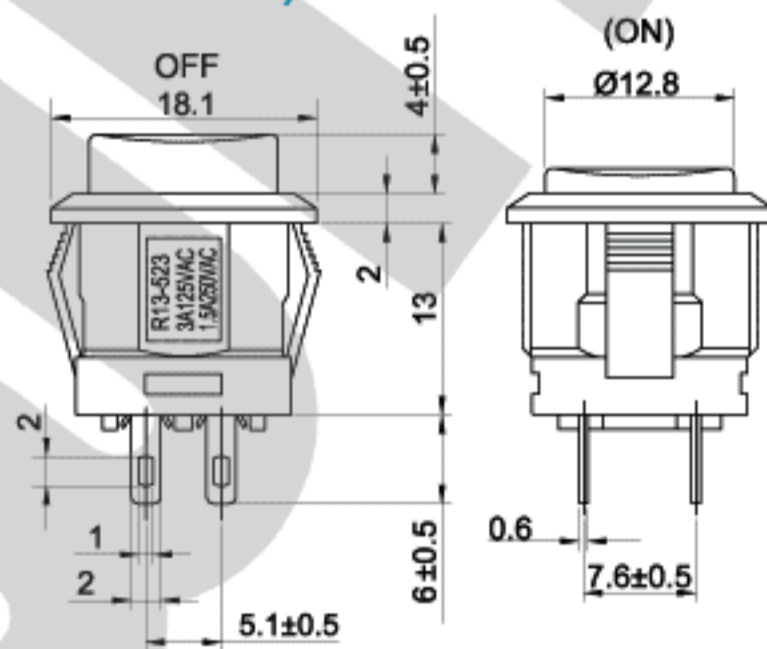
X W/O LED

L With LED

3A 125V AC
1.5A 250V AC

ø16
7mm Max.

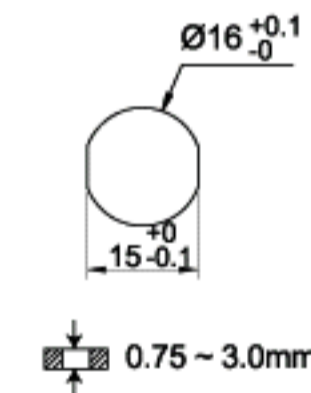
R13-523 (W/ LED, LOCK)



LED Rating
Red : @20mA, if=2.0V DC
Amber : @20mA, if=2.1V DC
Green : @20mA, if=2.2V DC

RATING : 3A 125V, 1.5A 250V AC.
CONTACT RESISTANCE : 50mΩ Max.
INSULATION RESISTANCE : 100MΩ at 500V DC Min.
WITHSTAND VOLTAGE : 1,500V AC for 1 minute.
OPERATING TEMPERATURE : -20°C ~ +85°C.

MOUNTING HOLE



FUNCTION

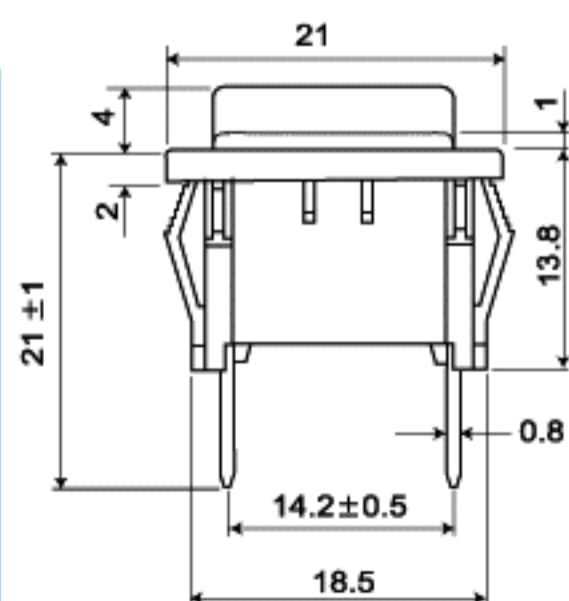


BUTTON

X W/O LED

L With LED

R13-516



FUNCTION



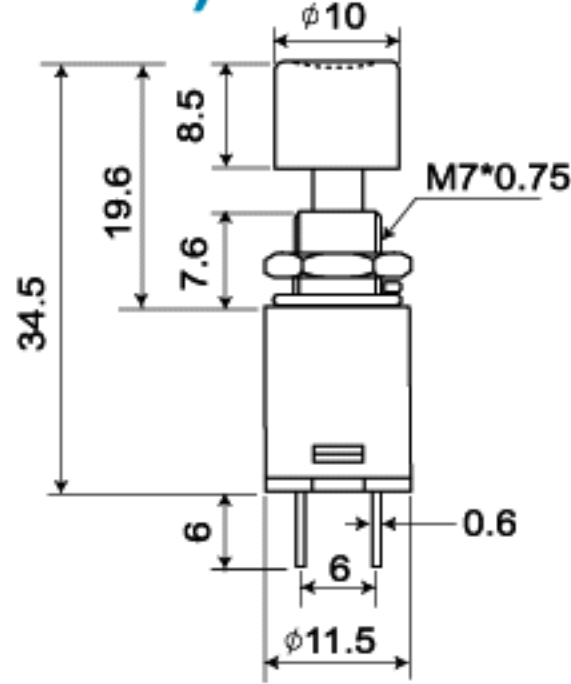
6A 250V AC
10A 125V AC



	X	Y
0.75~1.25	19.2~0.1	13.0+0.1
1.25~2	19.4~0.1	13.0+0.1
2~3	19.8~0.1	13.0+0.1



R13-512 (LOCK)



FUNCTION



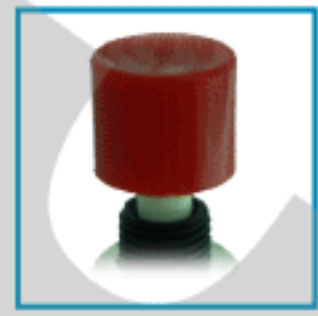
1.5A 250V AC
3A 125V AC

STEM

1 $\varnothing 6 \times 5.6$

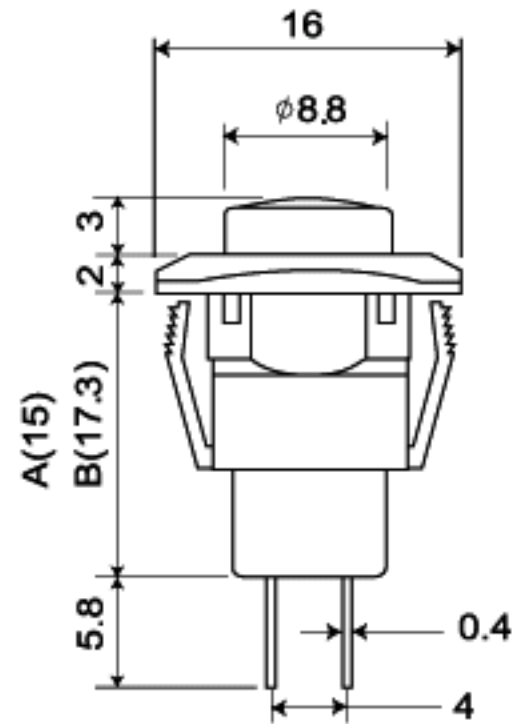
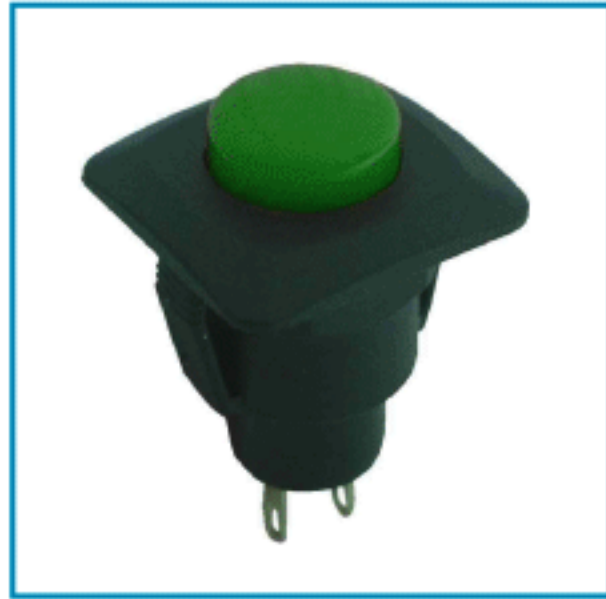


2 $\varnothing 10 \times 8.5$

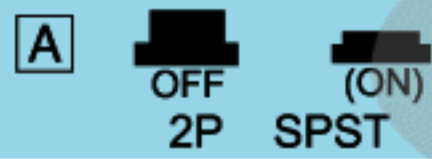


$\varnothing 7$
4mm Max.

R13-510



FUNCTION

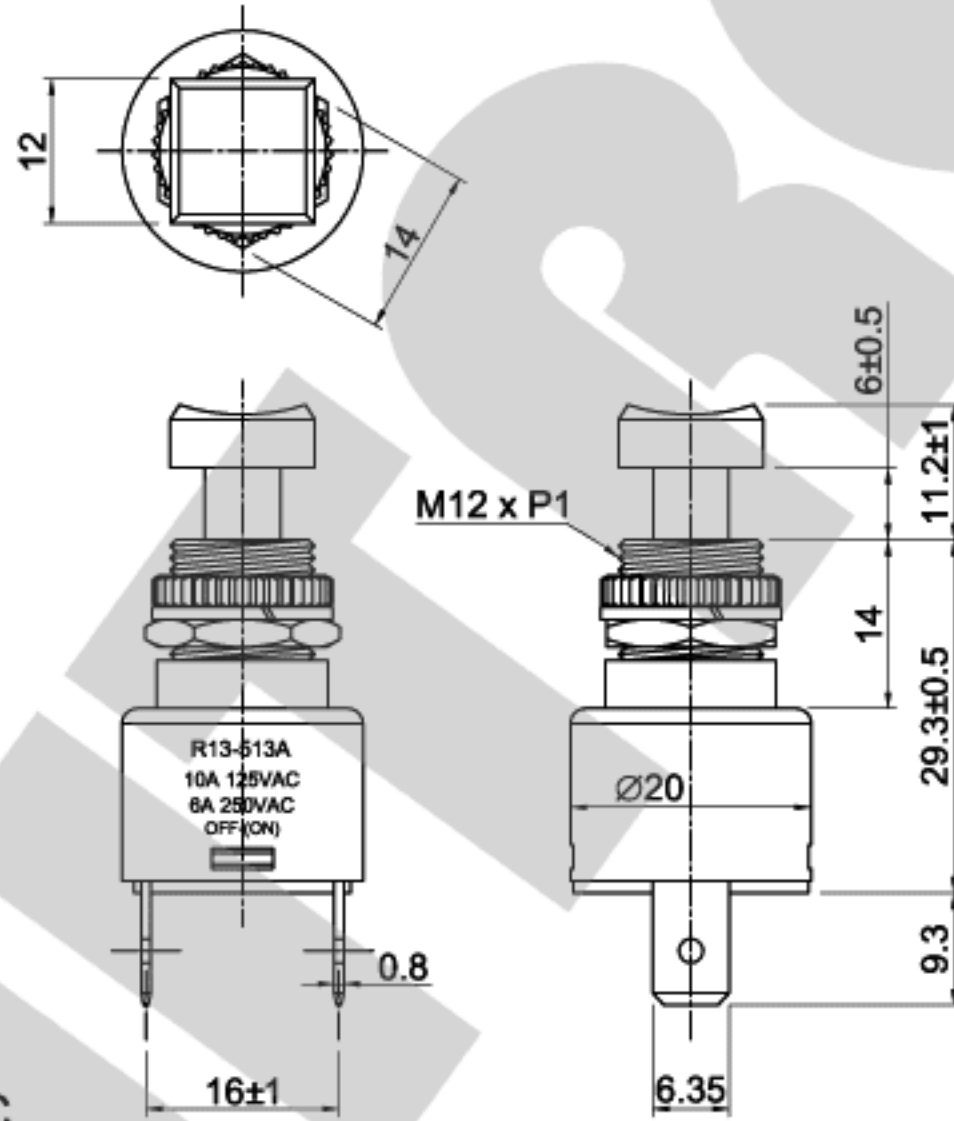


1.5A 250V AC
3A 125V AC

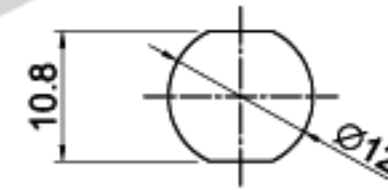
$\varnothing 12.7$
3mm Max.



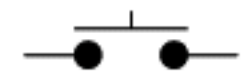
R13-513A1



MOUNTING HOLE



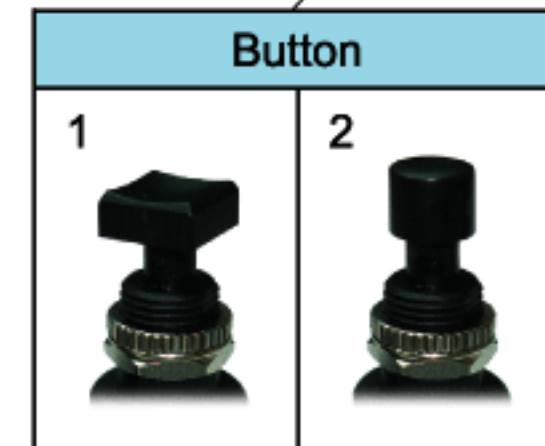
SCHEMATIC



FUNCTION	
A	OFF - (ON)
B	OFF - ON
D	ON - OFF

BUTTON COLOR	
B	Black
R	Red

R13-513XXX-G



SPECIFICATION:

Rating: 10A 125V, 6A 250V AC.

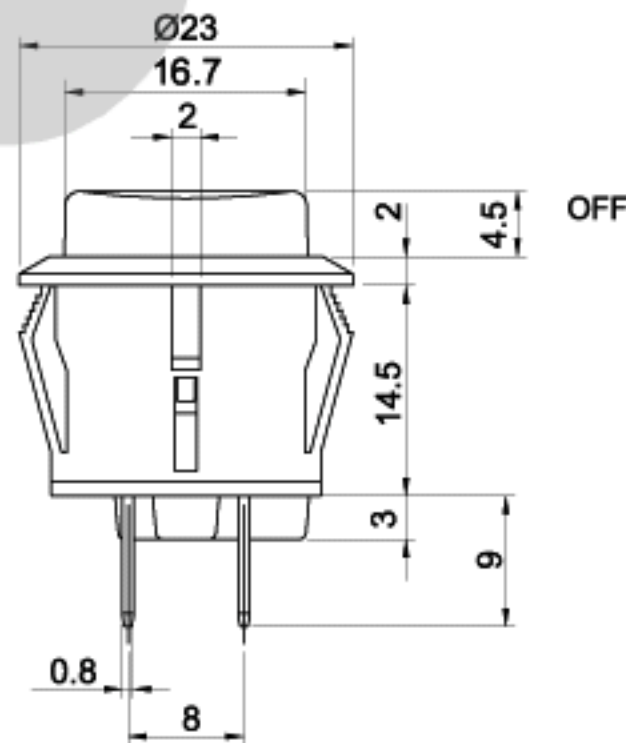
Circuit: 2P SPST.

Contact resistance: 50m Ω Max.

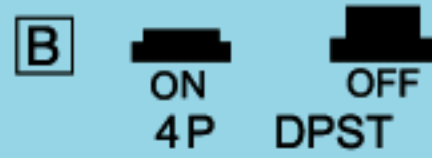
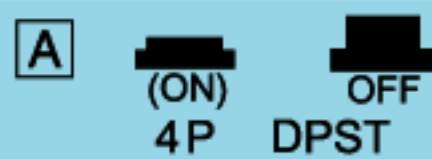
Insulation resistance: 100M Ω Min. at 500V DC.

Withstand voltage: 1,500V AC for 1 minute.

R13-527



FUNCTION



6A 250V AC
10A 125V AC

$\varnothing 20.2$
0.7 ~ 3.0mm Max.