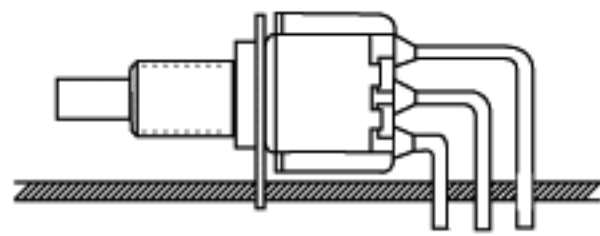


# T701 Snap-Acting Pushbutton Switches (Alternate Type)



LICO

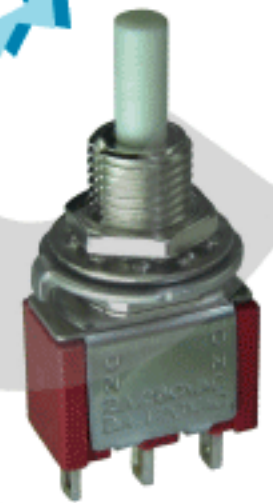


## SPECIFICATION:

Contact rating : Q : Power model-1A with resistive load @250V AC.  
 R : DRY CKT model-0.4VA Max. at 20V DC Max.  
 Mechanical life : 50,000 Make-and-break cycles.  
 Contact resistance : 10mΩ Max.initial @2-4V DC.  
 Operating temperature : -30°C ~ +130°C.  
 Withstand voltage : 1,000V RMS @sea level.

## MATERIAL :

Case : Dially phthalate. (DAP)  
 Plunger : Glass filled NYLON or Glass filled polyester.  
 Bushing : Brass, Nickel plated.  
 Housing : Stainless Steel.  
 End Contacts & Terminals : Brass, Silver or Gold plated over Nickel plated.  
 Center Contacts : Brass, Silver or Gold plated over Nickel plated.  
 Center Terminal : Brass, Silver or Gold plated over Nickel plated.



Alternate (Lock) Type

( ) : MOMENTARY

SPDT

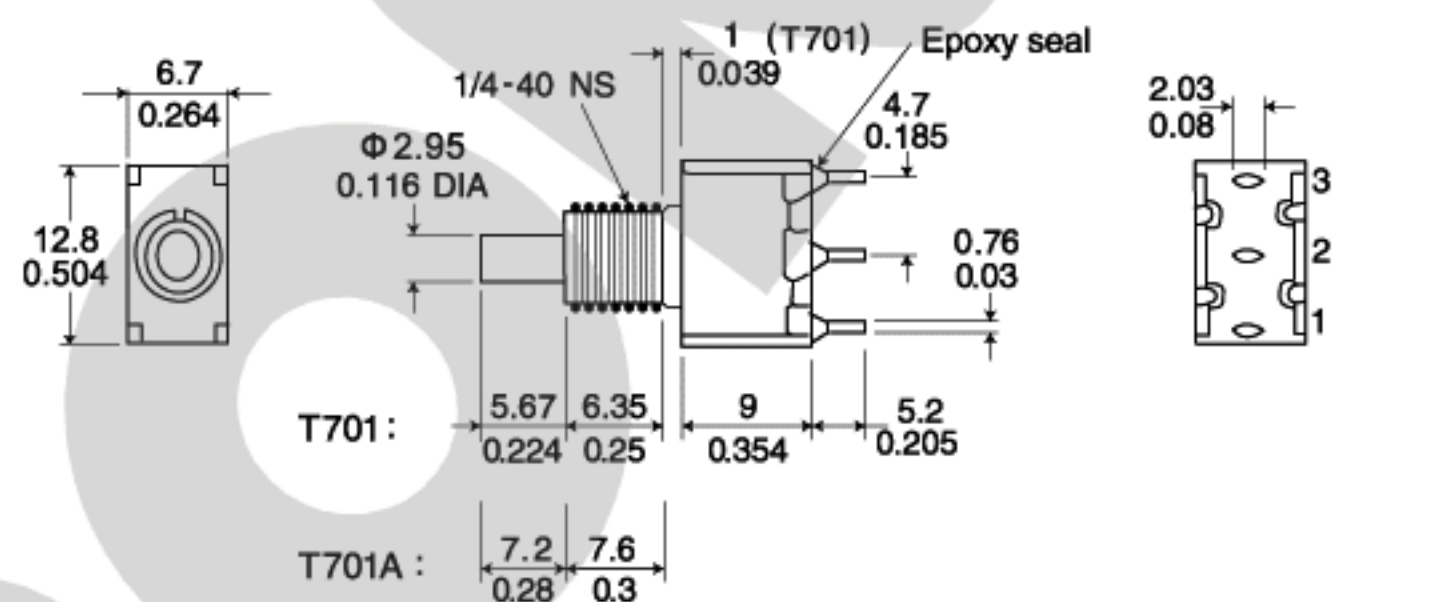
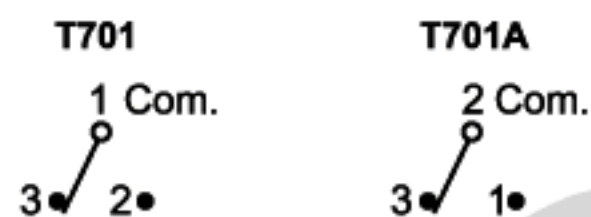
LOCK (Latching) type



T701B

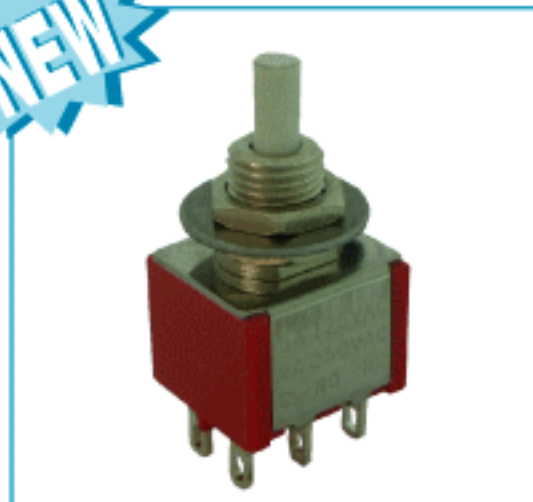
MODEL NO.	TYPE	
T701	ON	(ON)
T701A	ON	ON

Schematic



DPDT

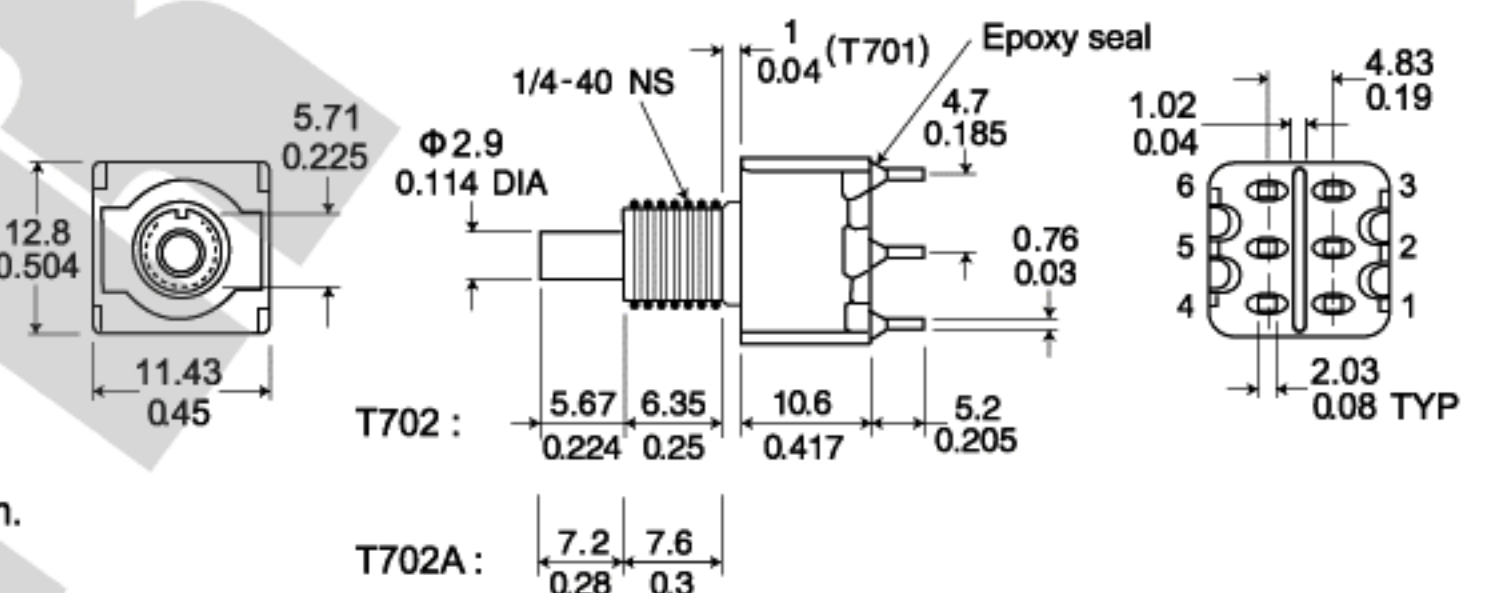
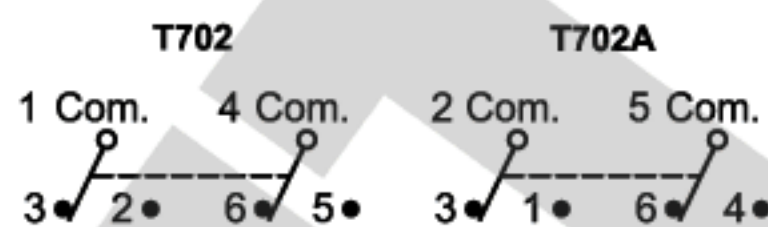
LOCK (Latching) type



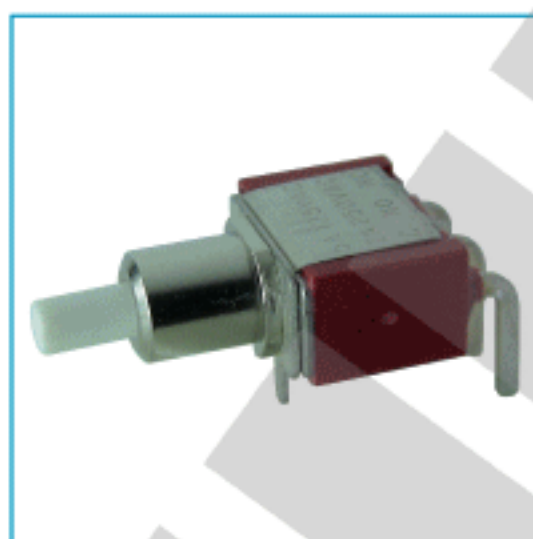
T702B

MODEL NO.	TYPE	
T702	ON	(ON)
T702A	ON	ON

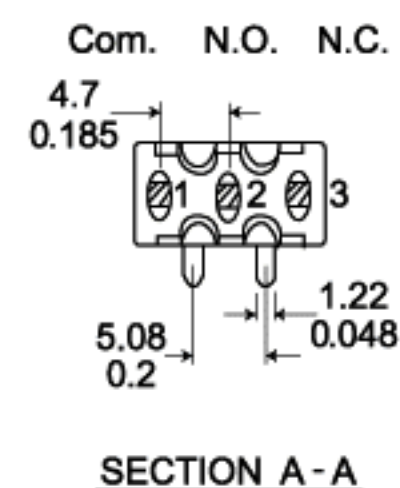
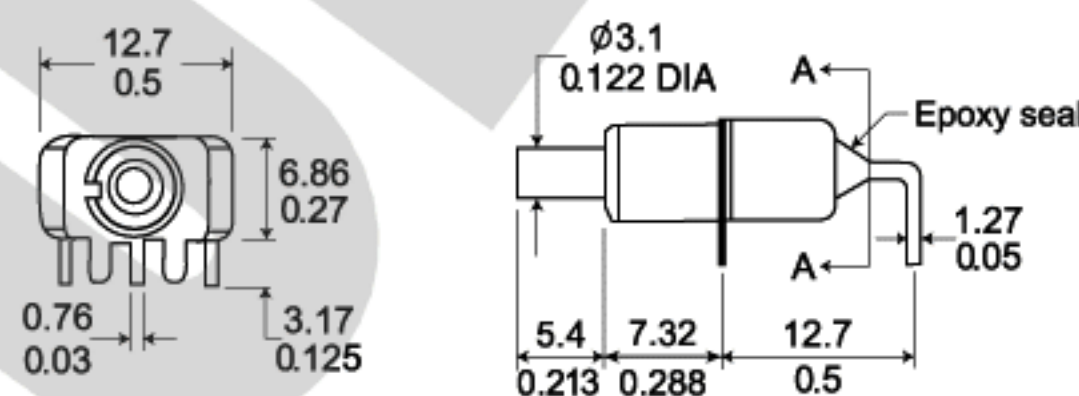
Schematic



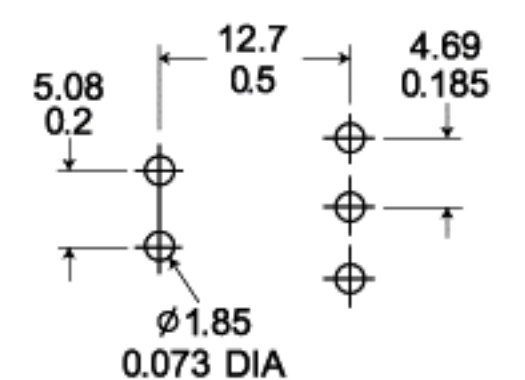
SPDT



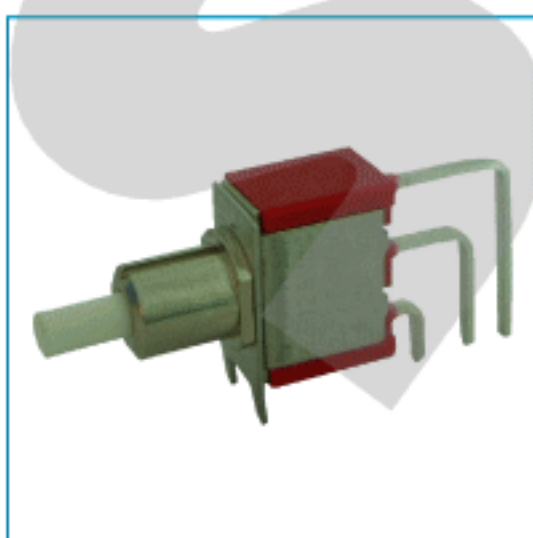
T701P



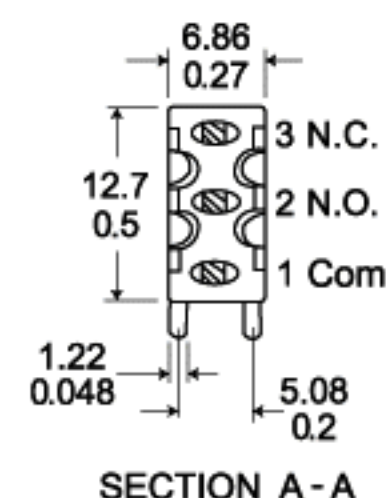
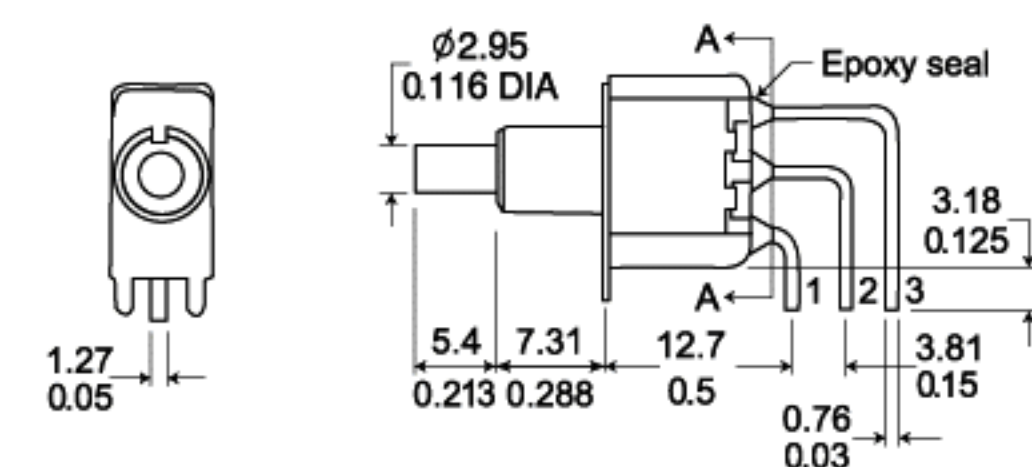
P.C.B. LAYOUT



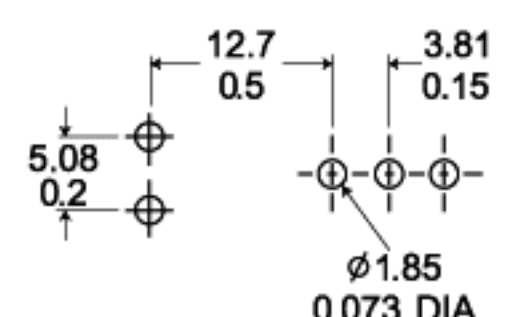
SPDT



T701L



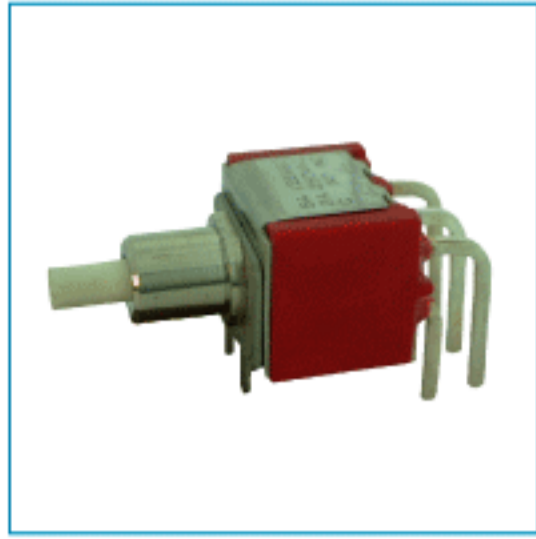
P.C.B. LAYOUT



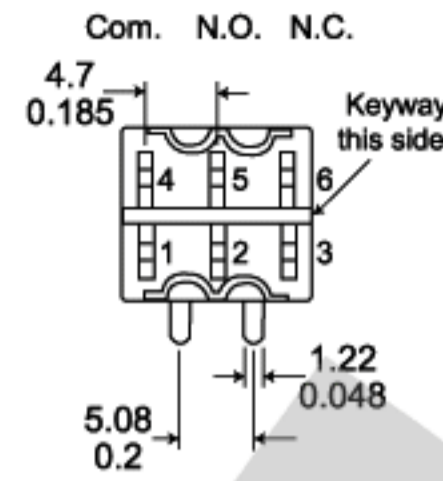
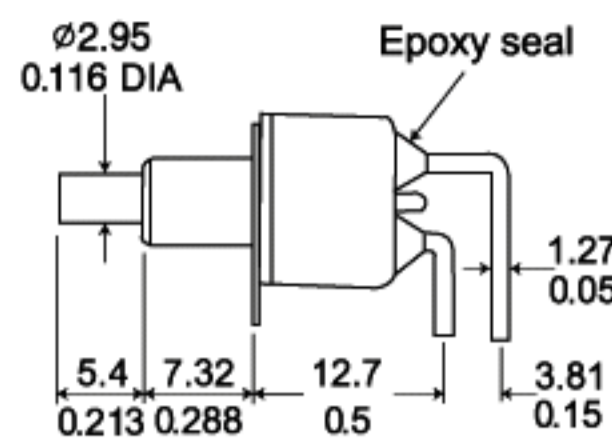
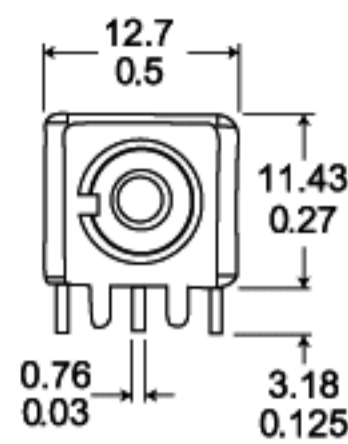
# T701 Snap-Acting Pushbutton Switches (Latching)

LICO

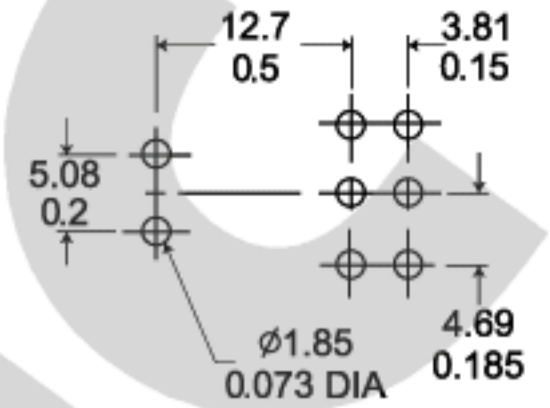
DPDT



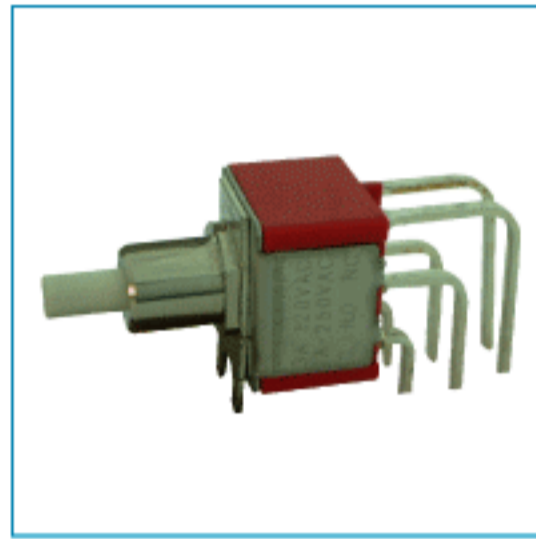
T702P



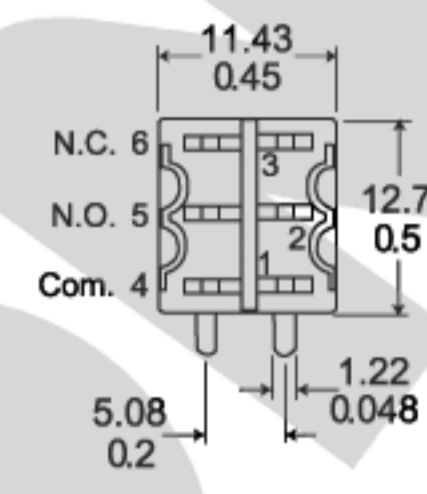
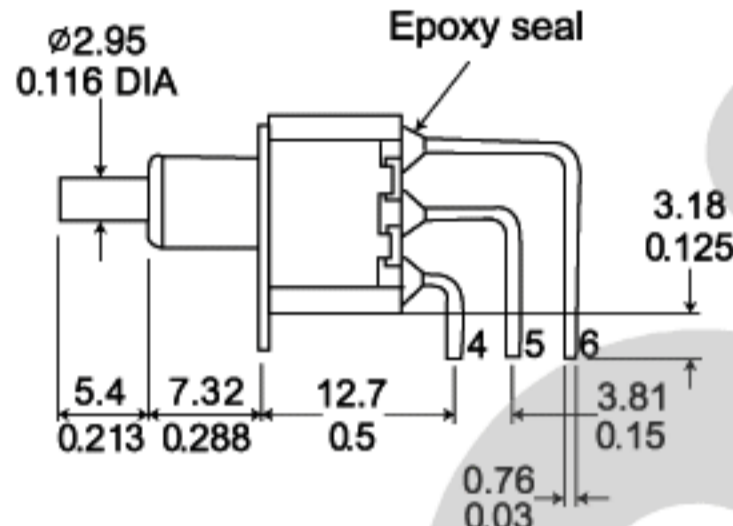
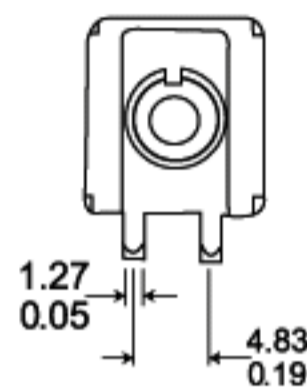
P.C.B. LAYOUT



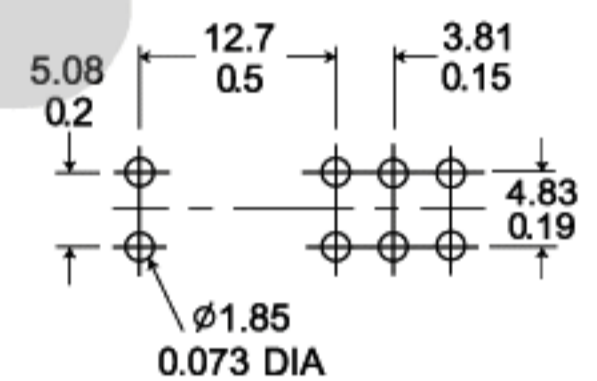
DPDT



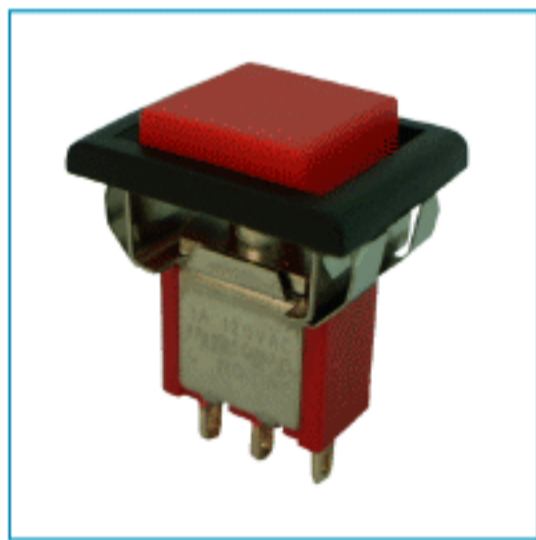
T702L



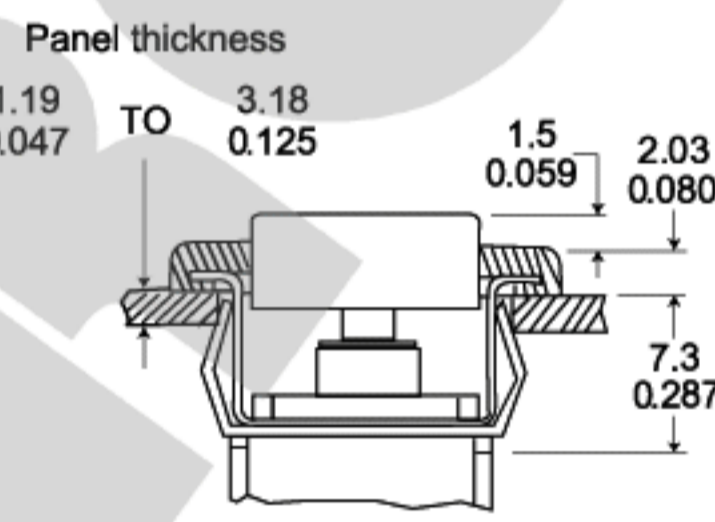
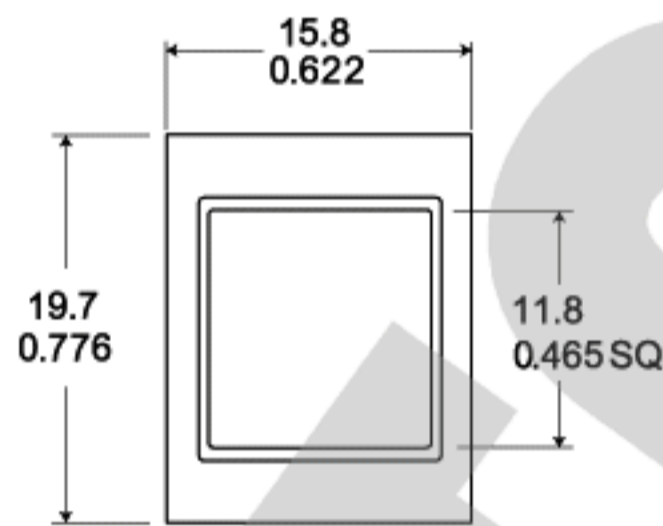
P.C.B. LAYOUT



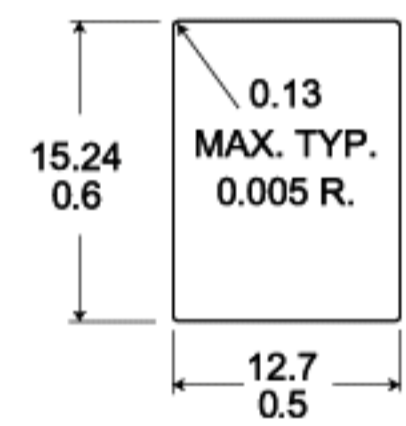
SPDT



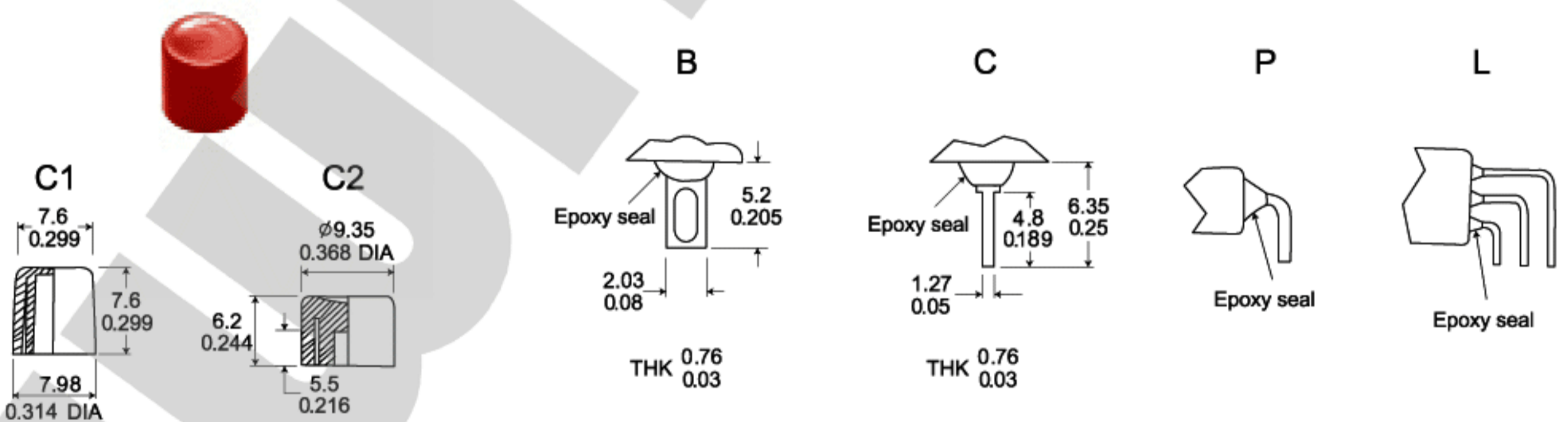
T701BNQYF22A



MOUNTING HOLE



## CAP, TERMINAL OPTIONS



## HOW TO ORDER

MODEL NO.	TERMINAL TYPE	BUSHING	CONTACT AND TERMINAL MATERIAL	EPOXY SEAL	CAP TYPE	CAP COLOR	NUTS & WASHER
T701 Momentary	B	T: THREAD	Q: SILVER PLATED	Y: YES	C1	B: BLACK	□: SEPARATE PACKING
T702 Momentary	C	N: NON THREAD	R: GOLD PLATED		C2	R: RED	
T701A Latching	P				F22A	GN: GREEN	1: FIXED ON S/W
T702A Latching	L					BU: BLUE	