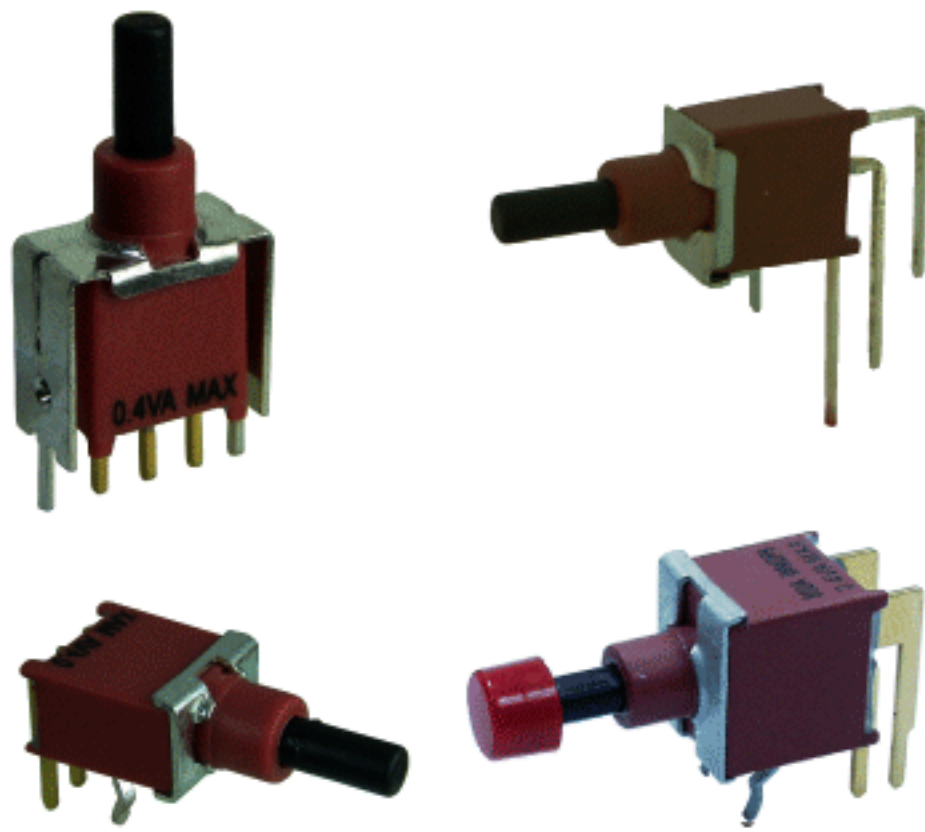


8A Series Sealed Tiny Pushbutton Switches IP67

LICO



SPECIFICATION:

Contact rating	: Silver : 1A 120V AC or 28V DC. Gold : 0.4VA, 20V DC Max.
Mechanical life	: 50,000 Make-and-break cycles.
Contact resistance	: 20mΩ Max.initial @2-4V DC. 100mA for both Silver and Gold plated contacts.
Insulation resistance	: 1,000MΩ Min.
Withstand voltage	: 1,000V RMS @sea level.
Operating temperature	: -30°C ~ +85°C.

MATERIALS:

CASE & BUSHING	: Glass NYLON 66, flame retardant, heat stabilized. (UL-94V-0)
PLUNGER	: Thermoplastic Polyester (UL-94V-0), with internal O-ring seal.
SWITCH SUPPORT	: Brass or steel, Tin plated.
CONTACT	: Silver or Gold plated copper alloy.

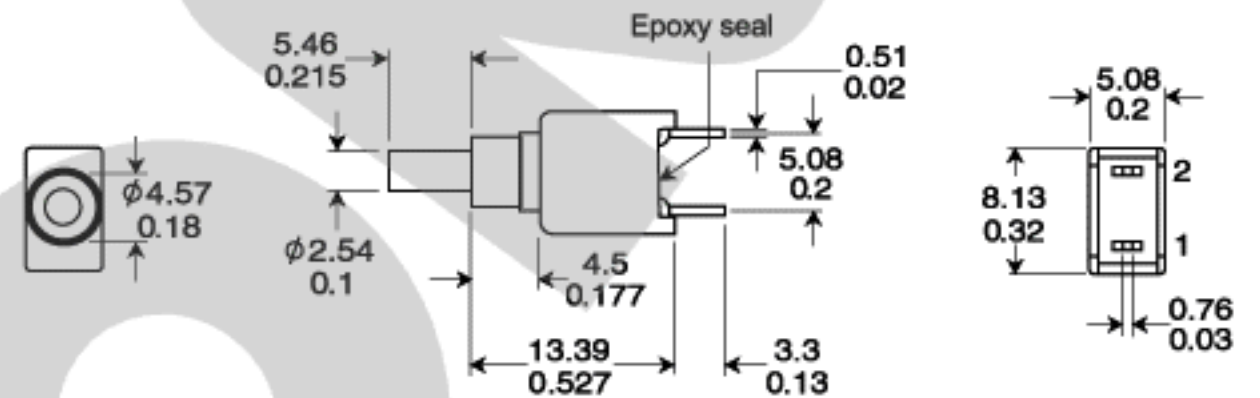
() : MOMENTARY

SPST



8AS9M2RE

MODEL NO.	TYPE	
8AS9	OFF	(ON)
Term. Comm.	—	1 - 2

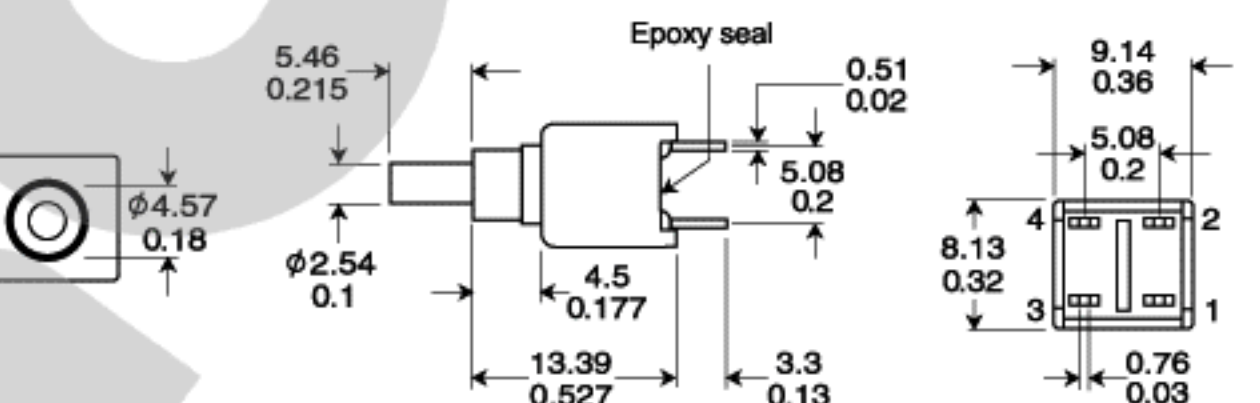


DPST



8AD9M2RE

MODEL NO.	TYPE	
8AD9	OFF	(ON)
Term. Comm.	—	1 - 2 3 - 4

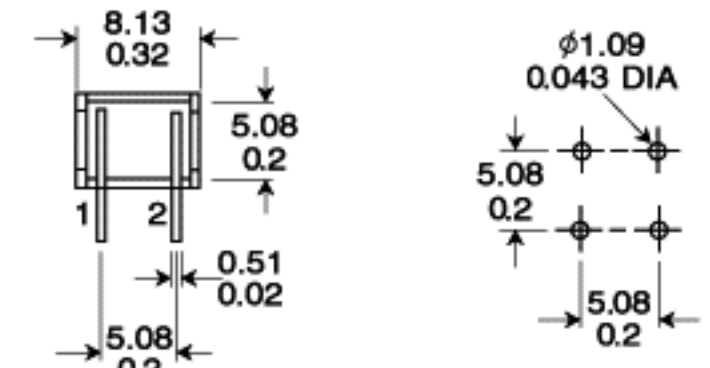
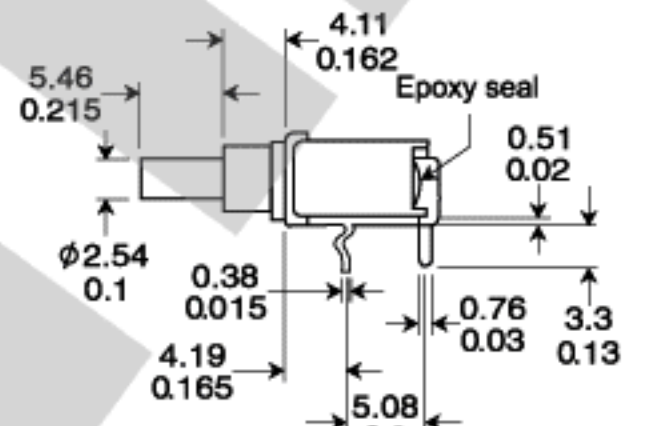
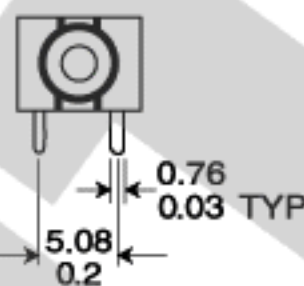


SPST

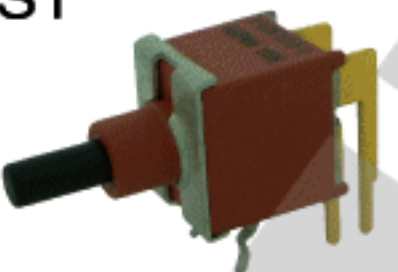


8AS9M6NRE

M6 M6N (kink pin)

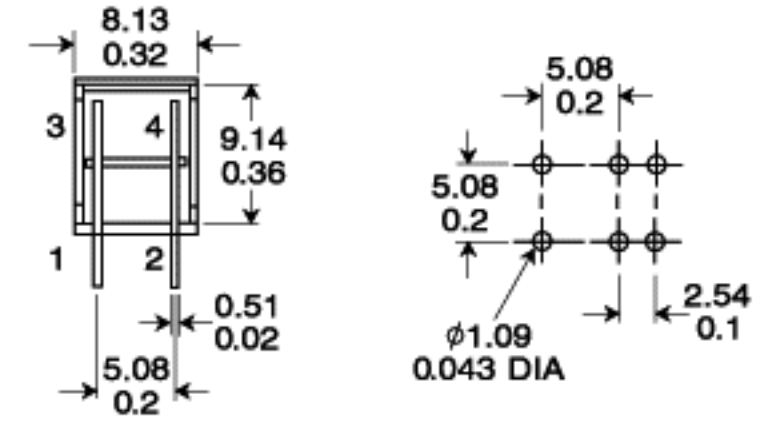
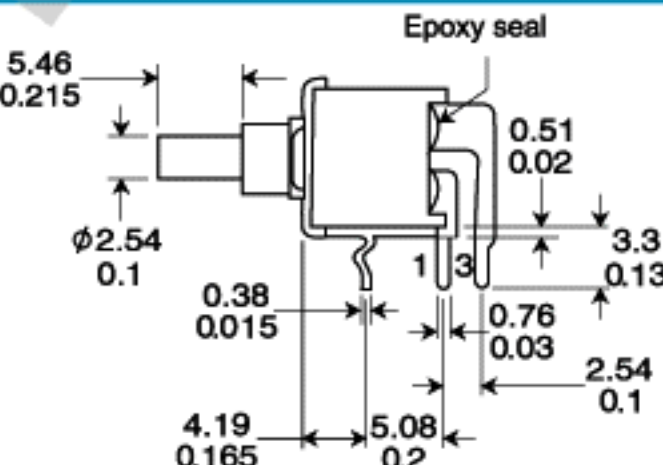
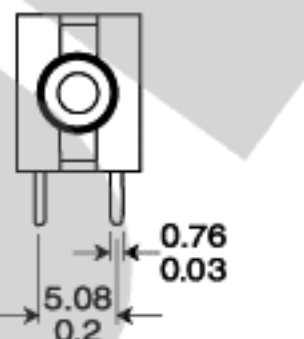


DPST

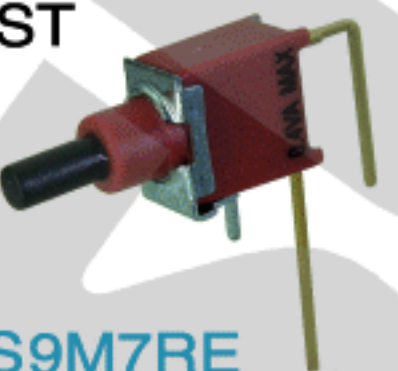


8AD9M6NRE

M6 M6N (kink pin)

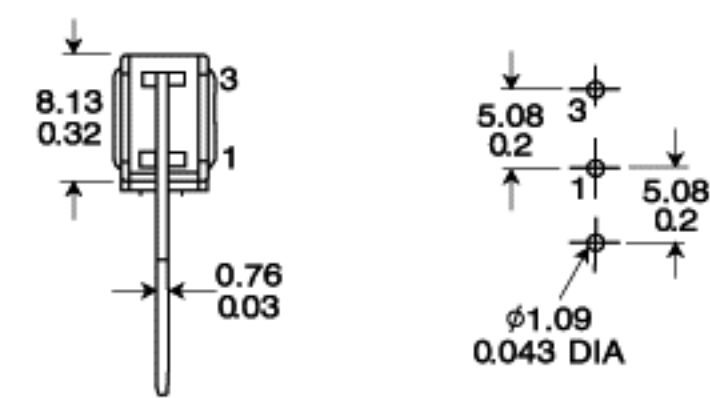
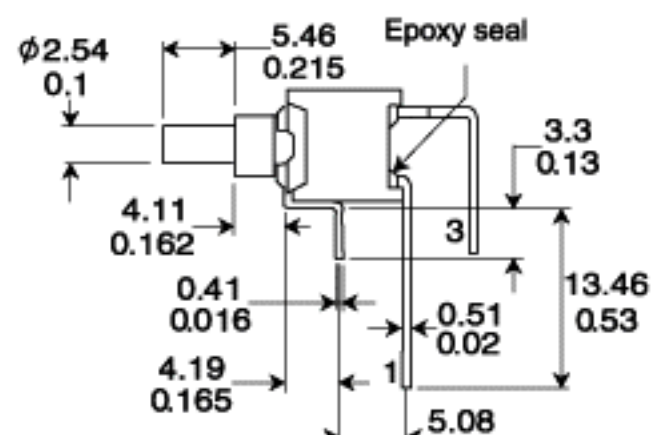
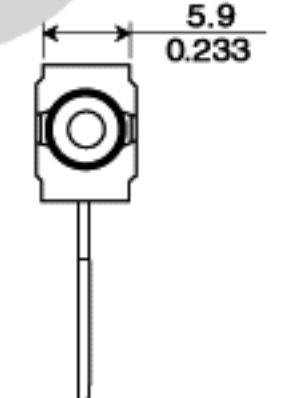


SPST

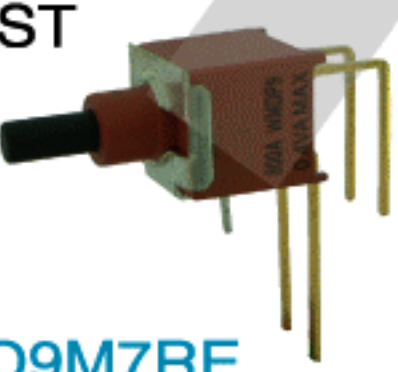


8AS9M7RE

M7



DPST



8AD9M7RE

M7

