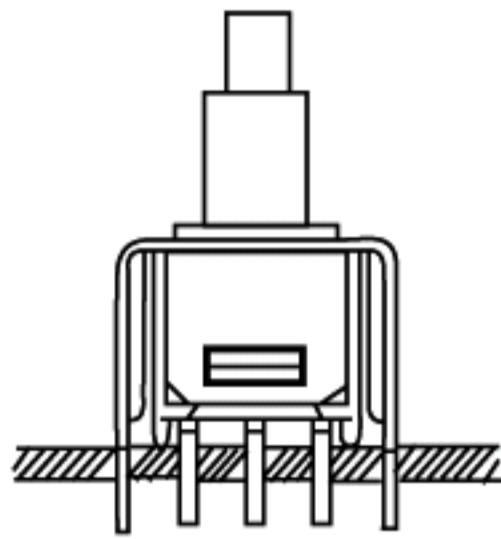
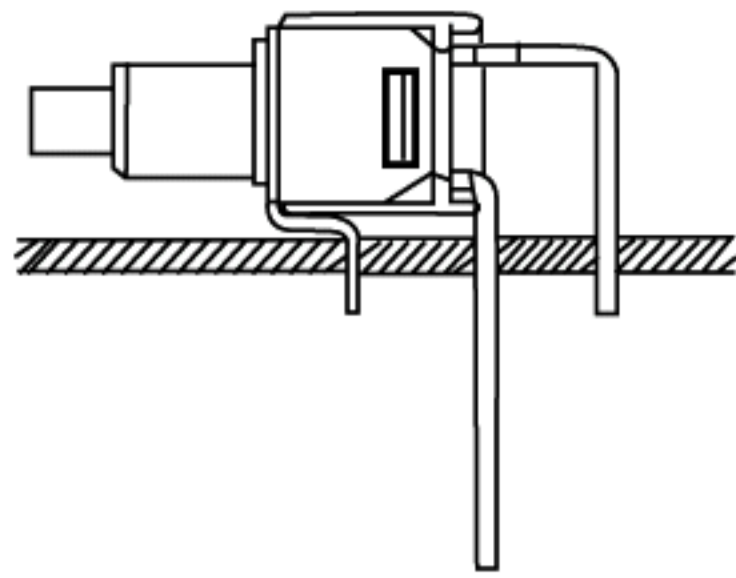


**Tiny**



### SPECIFICATION:

Contact rating : 1A with resistive load @120V AC 28V DC or 0.4VA.  
 Mechanical life : 60,000 Make-and-break cycles.  
 Contact resistance : 20mΩ Max. initial. @2-4V DC  
 100mA for both coin silver and gold plated contacts.  
 Insulation resistance : 1,000MΩ Min.  
 Withstand voltage : 1,000V RMS @sea level.  
 Operating temperature : -30°C ~ +85°C.

### MATERIALS:

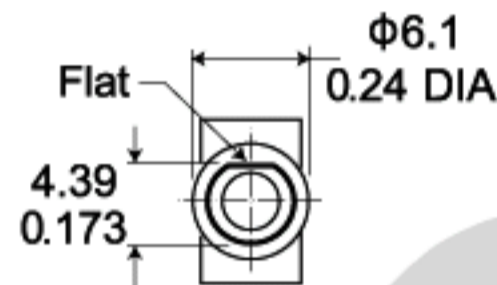
Case : Dially phthalate. (DAP)  
 Plunger : Thermoplastic polyester-black.  
 Bushing : Brass Nickel plated.  
 Terminal support : Brass, electrotin plated.  
 Housing : Stainless Steel.  
 Contact : Coin Silver, Silver or Gold plated.  
 Terminals : Brass, Silver or Gold plated.

### SPST

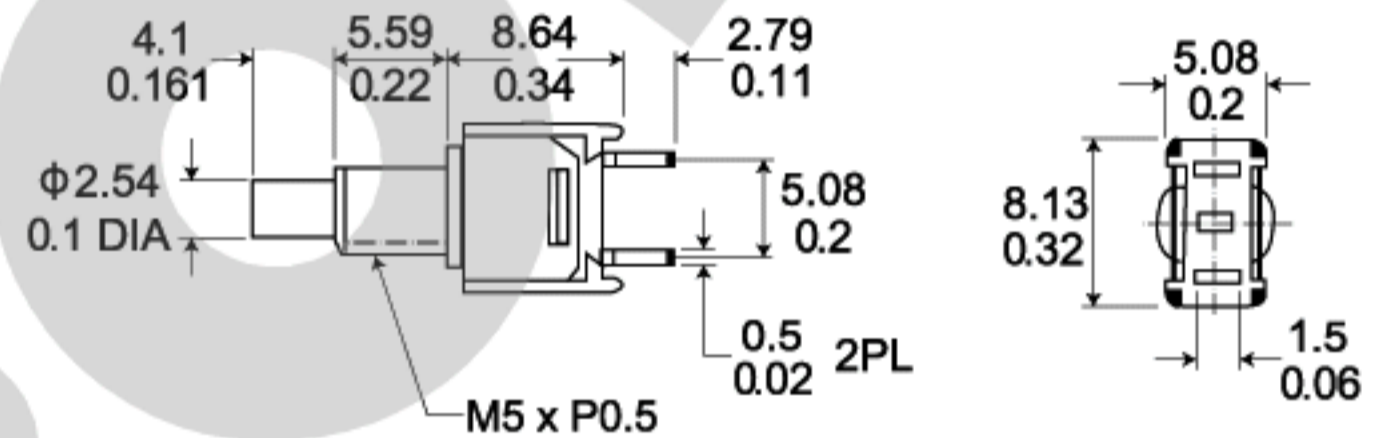


TPS-21B

MODEL NO.	TYPE	
TPS-21	OFF	(ON)



Terminal : B

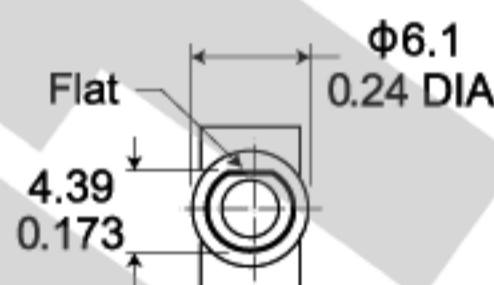


### SPDT

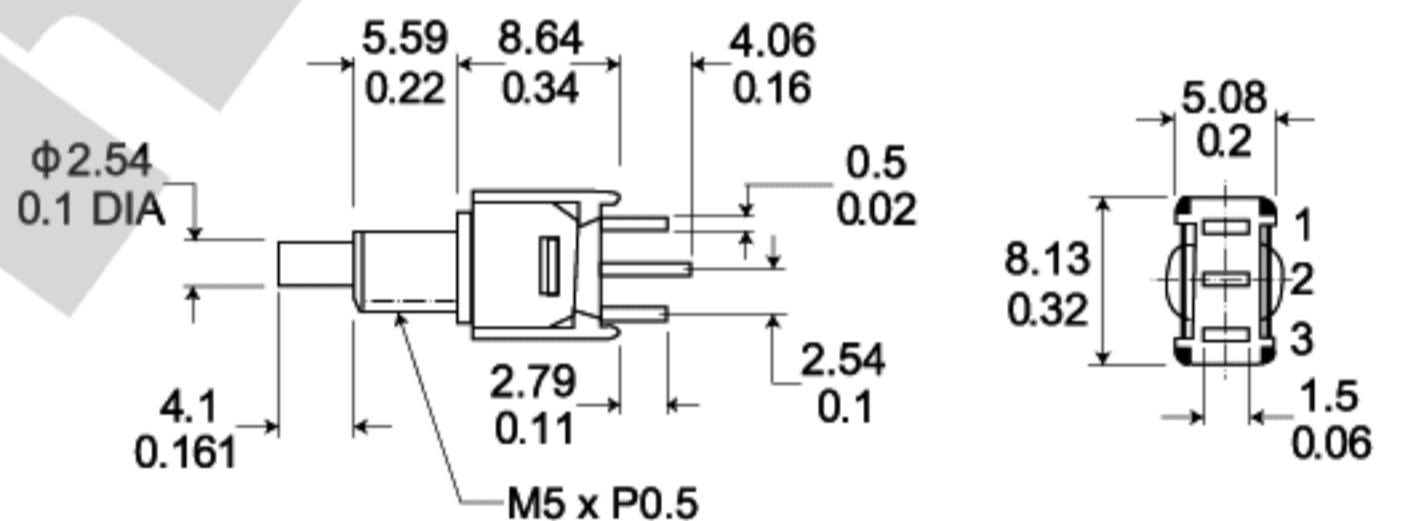


TPS-22B

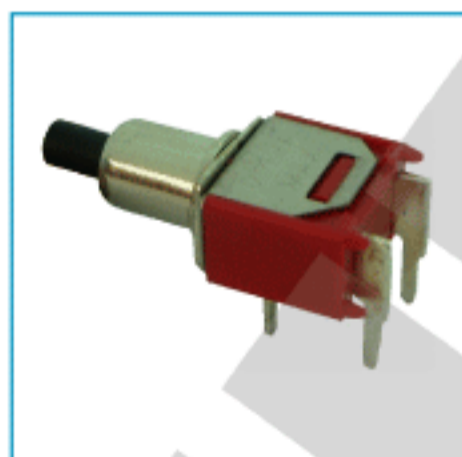
MODEL NO.	TYPE	
TPS-22	ON	(ON)
Term. Comm.	2 - 1	2 - 3



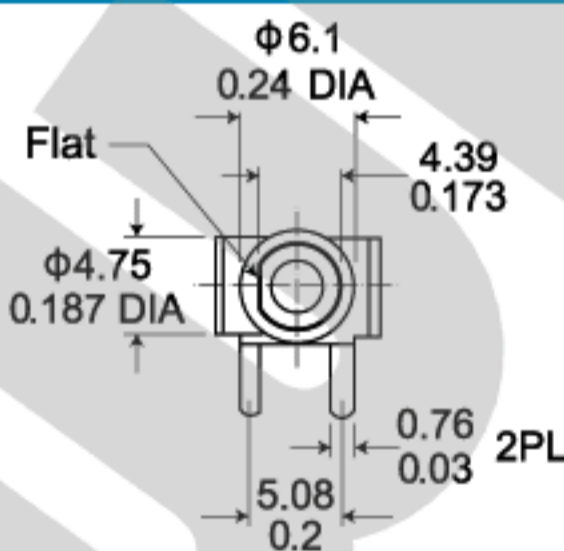
Terminal : B



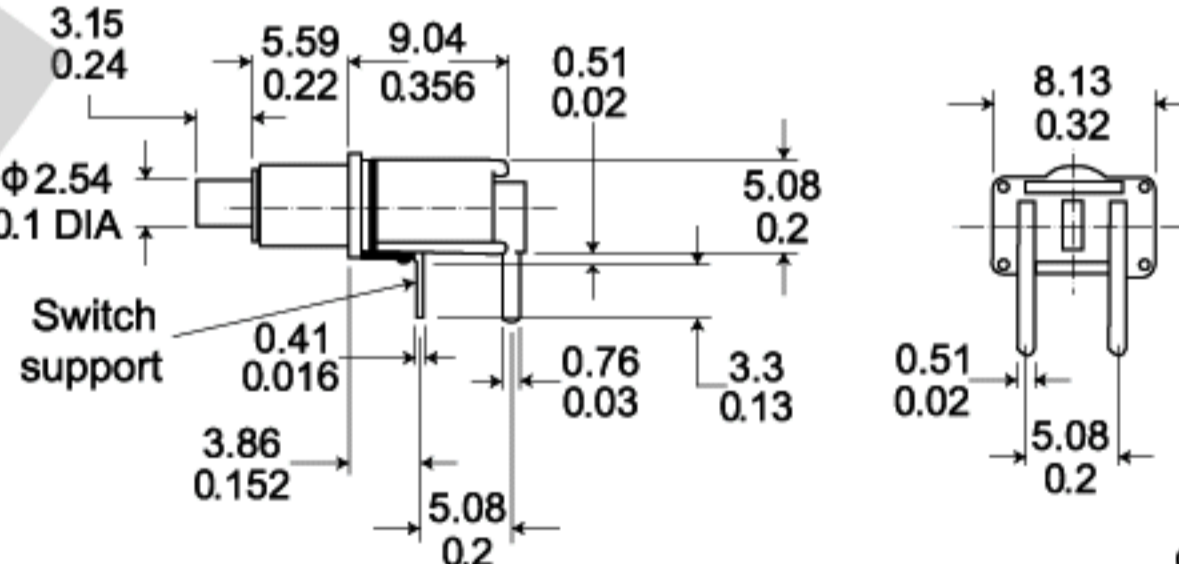
### SPST



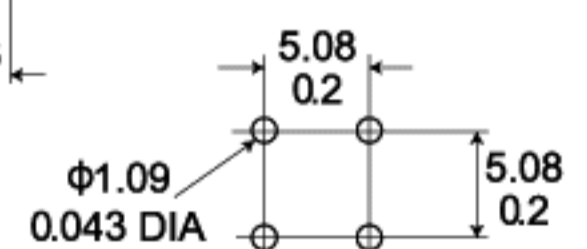
TPS-21P



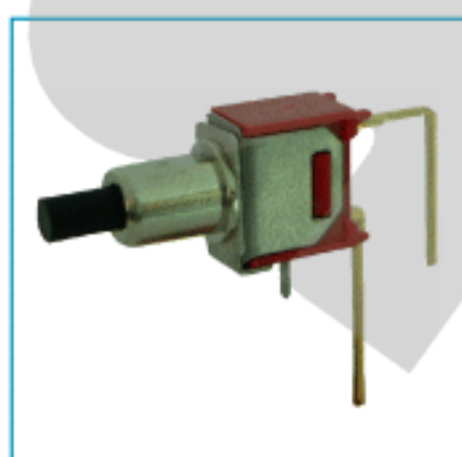
Terminal : P



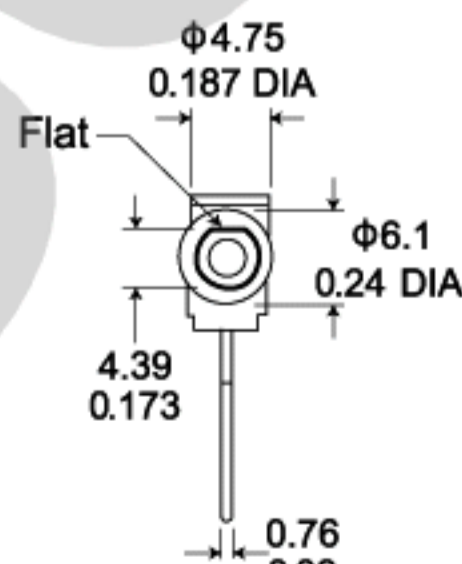
### P.C.B. LAYOUT



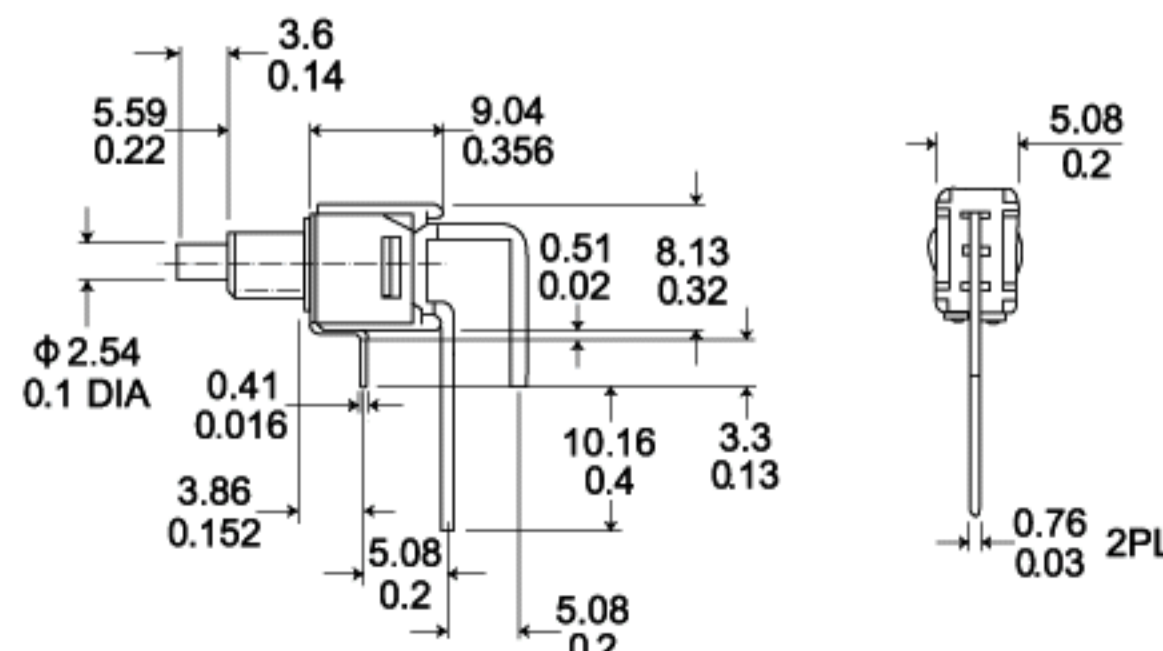
### SPST



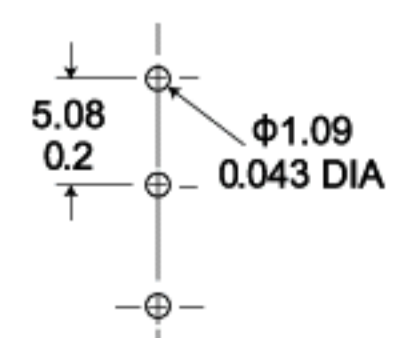
TPS-21L



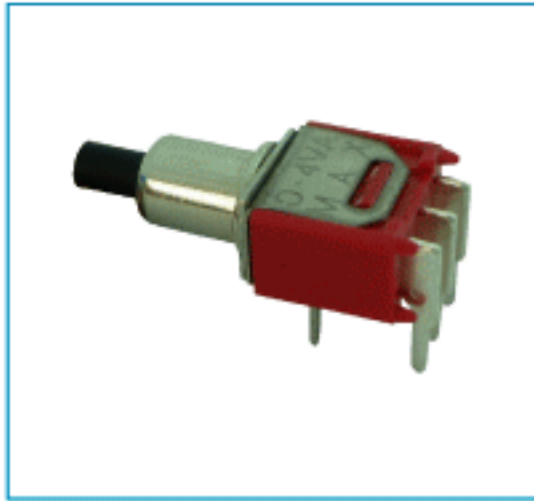
Terminal : L



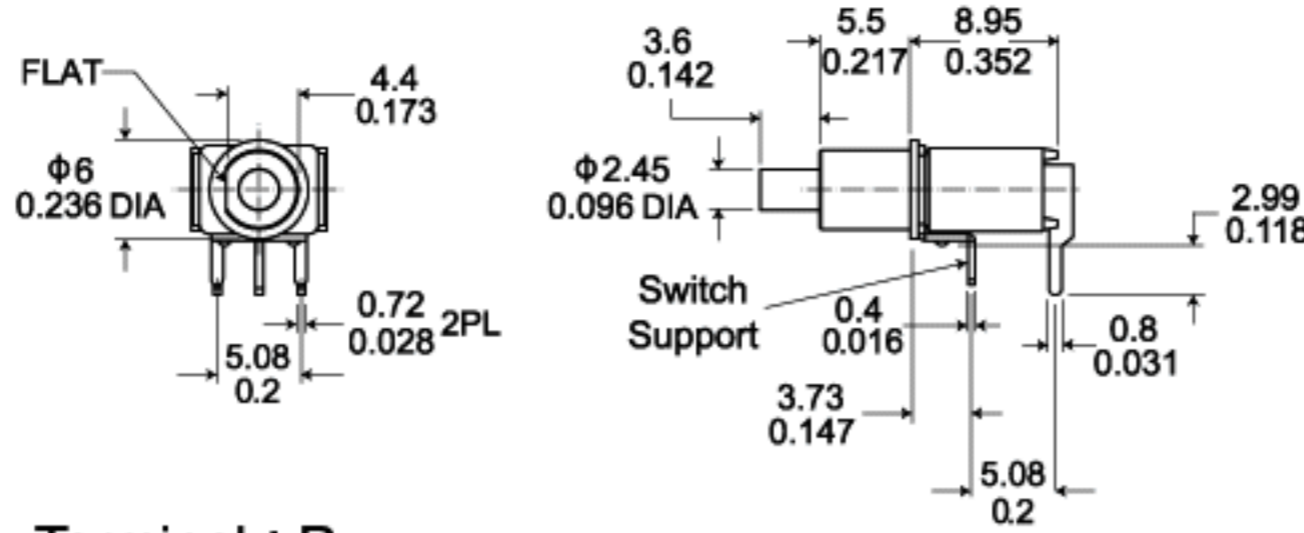
### P.C.B. LAYOUT



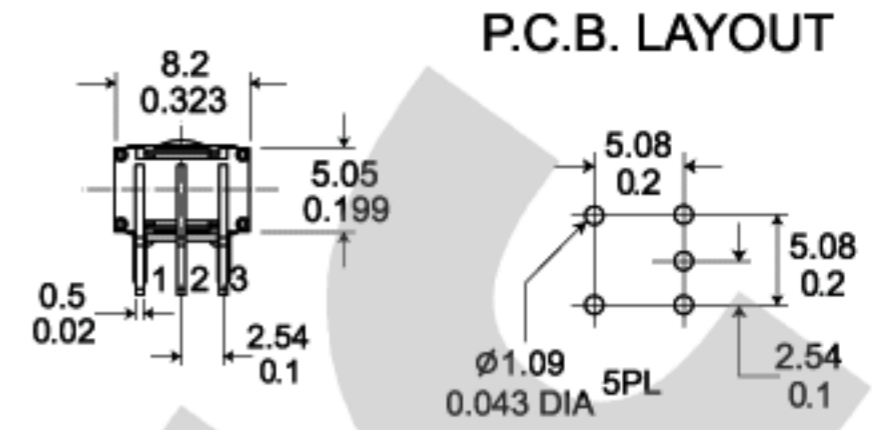
## SPDT



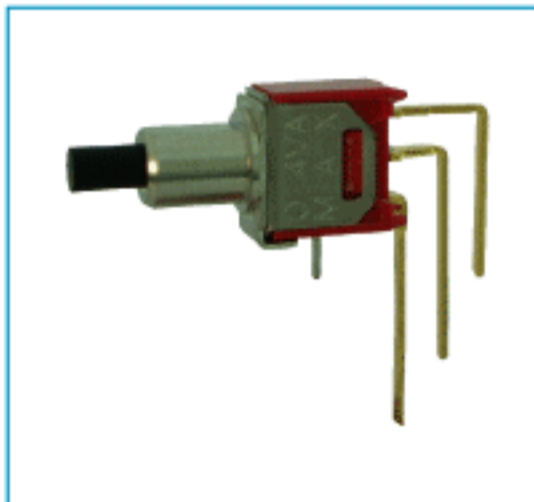
TPS-22P



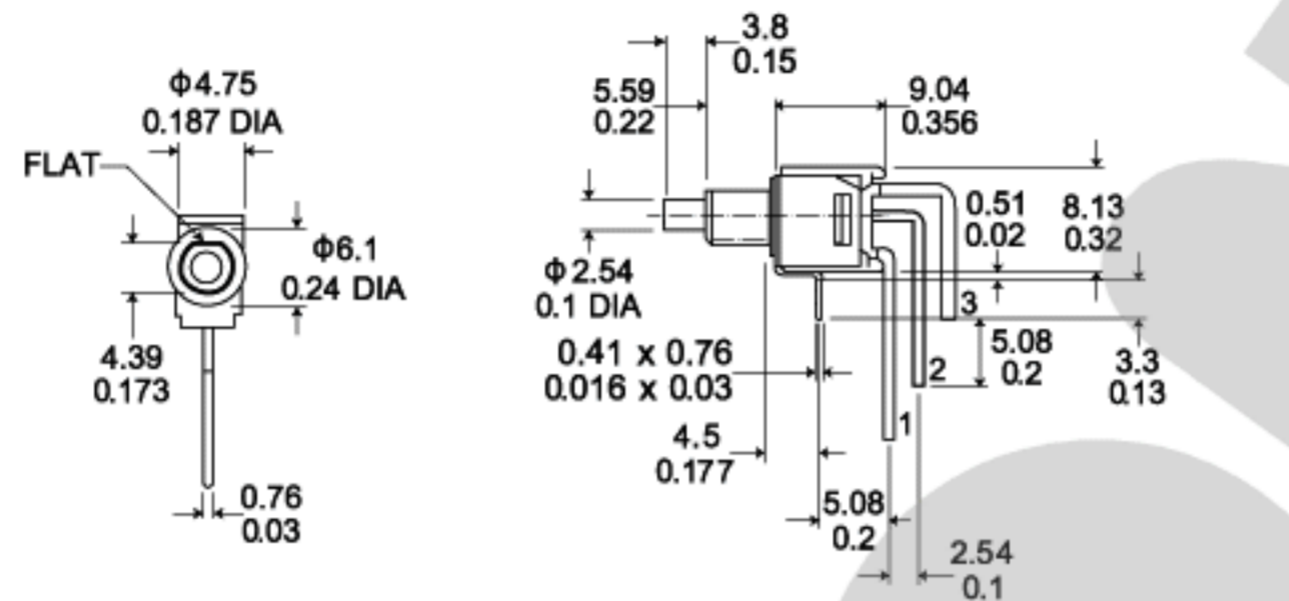
Terminal : P



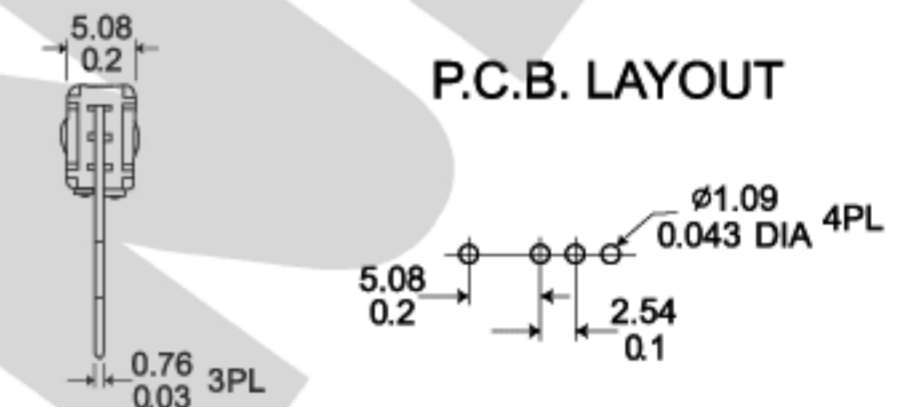
## SPDT



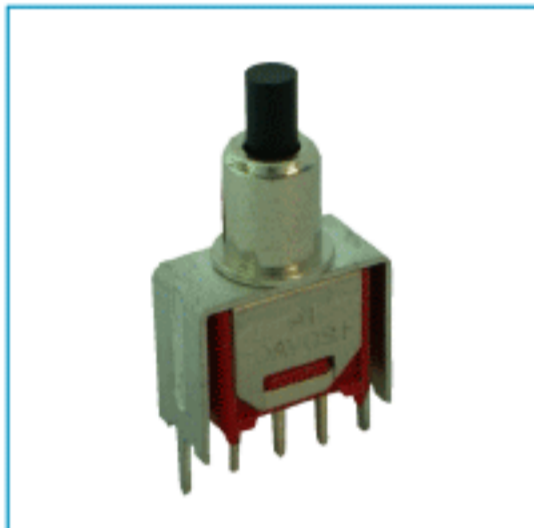
TPS-22L



Terminal : L

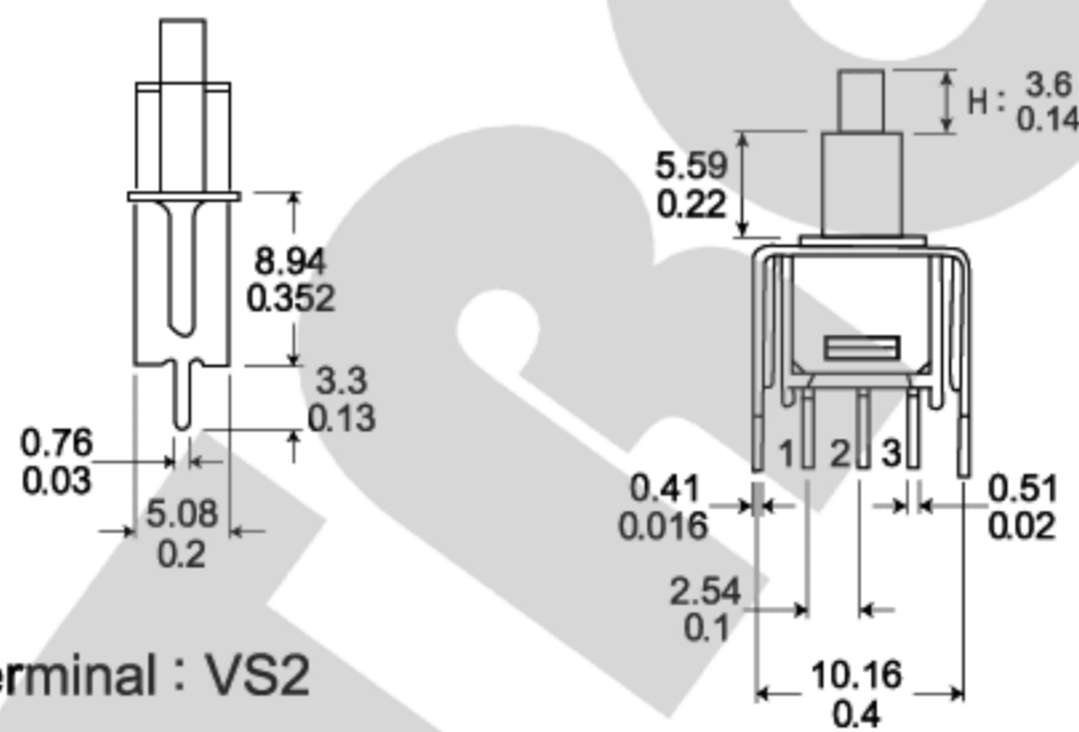


## SPDT

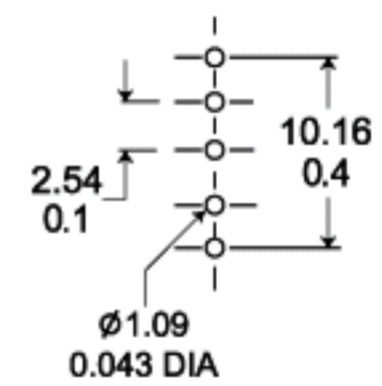


TPS-21VS2  
TPS-22VS2  
TPS-22C

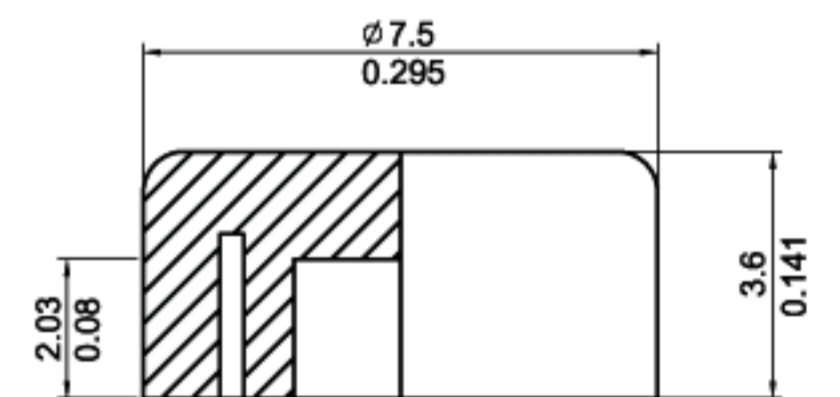
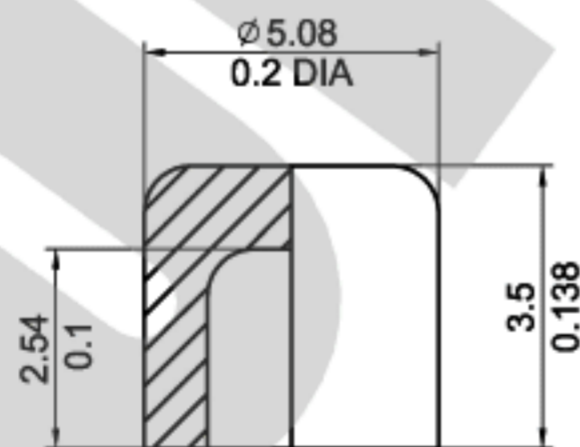
H: 3.6mm } Terminal : VS2  
H: 3.6mm }  
H: 4mm (W/O BRACKET) Terminal : C



P.C.B. LAYOUT



## CAPS OPTIONS



## HOW TO ORDER

MODEL NO.	+	TERMINAL	+	BUSHING	+	CONTACT AND TERMINAL MATERIAL	+	EPOXY SEAL	+	CAP TYPE AND COLOR	+	NUTS & WASHER
TPS-21 TPS-22		B C P L VS2		T : THREAD N : NON THREAD		Q : SILVER PLATED R : GOLD PLATED		Y : YES N : NO		TYPE C1 B : BLACK C2 R : RED		<input type="checkbox"/> : SEPARATE PACKING 1 : FIXED ON SW