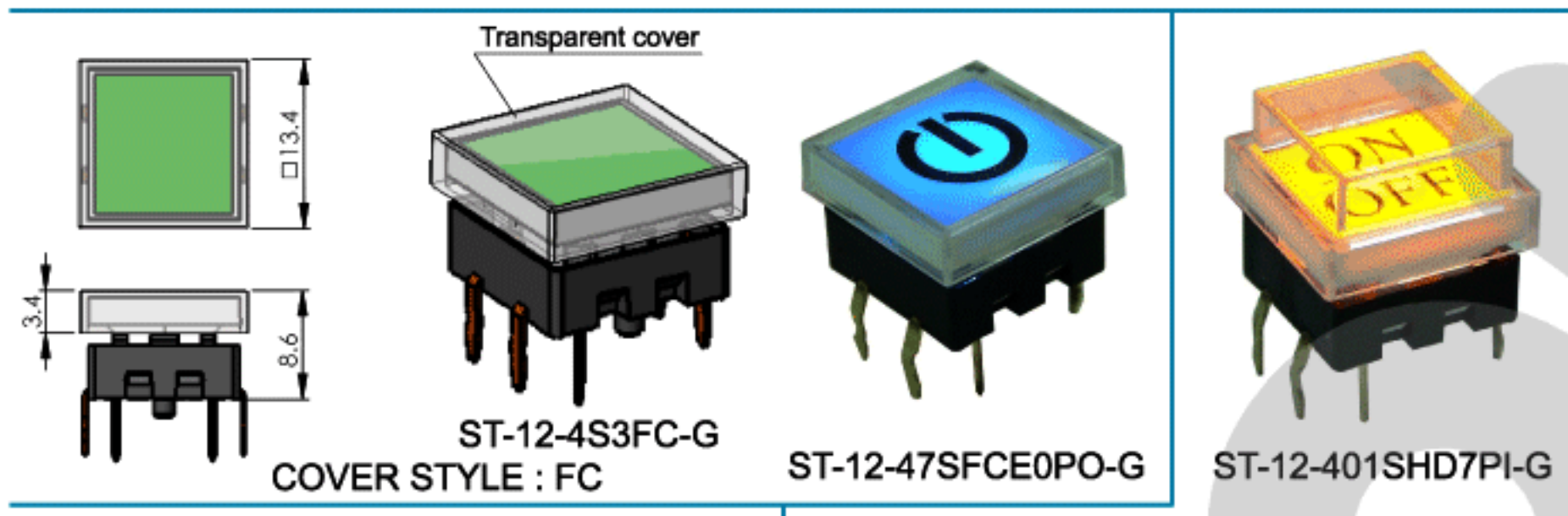
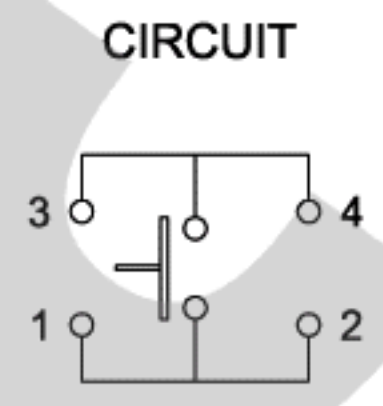
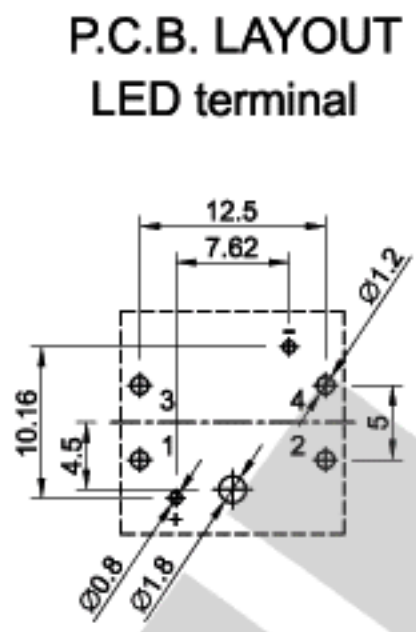
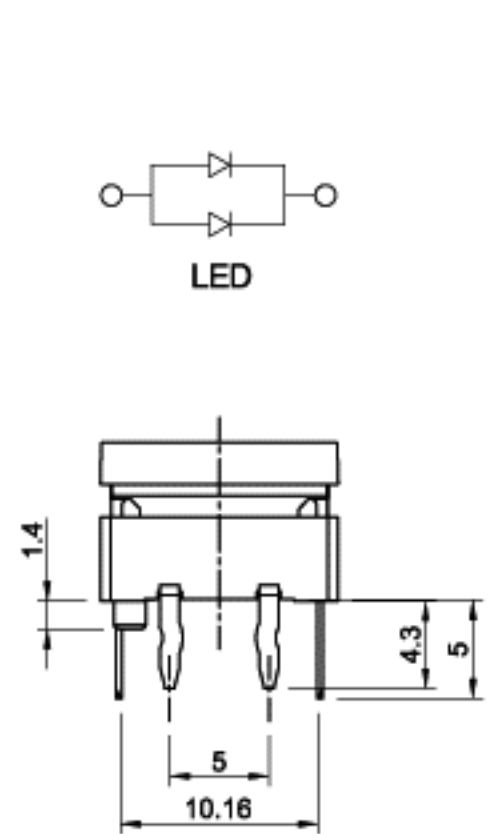
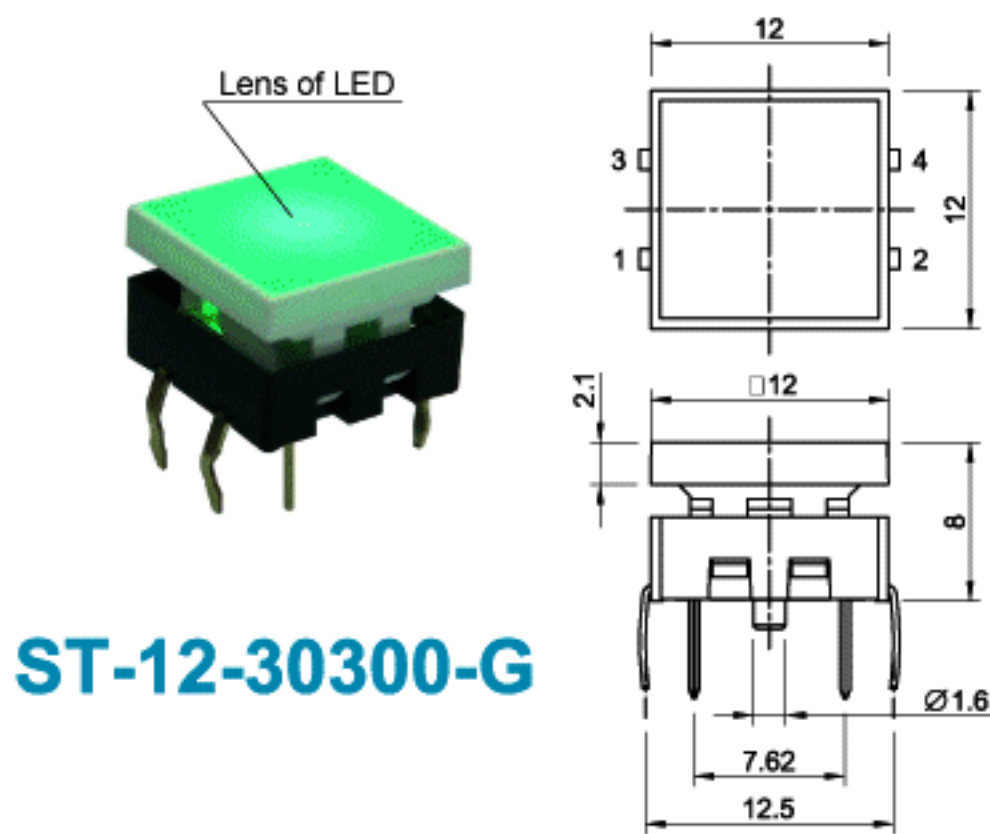
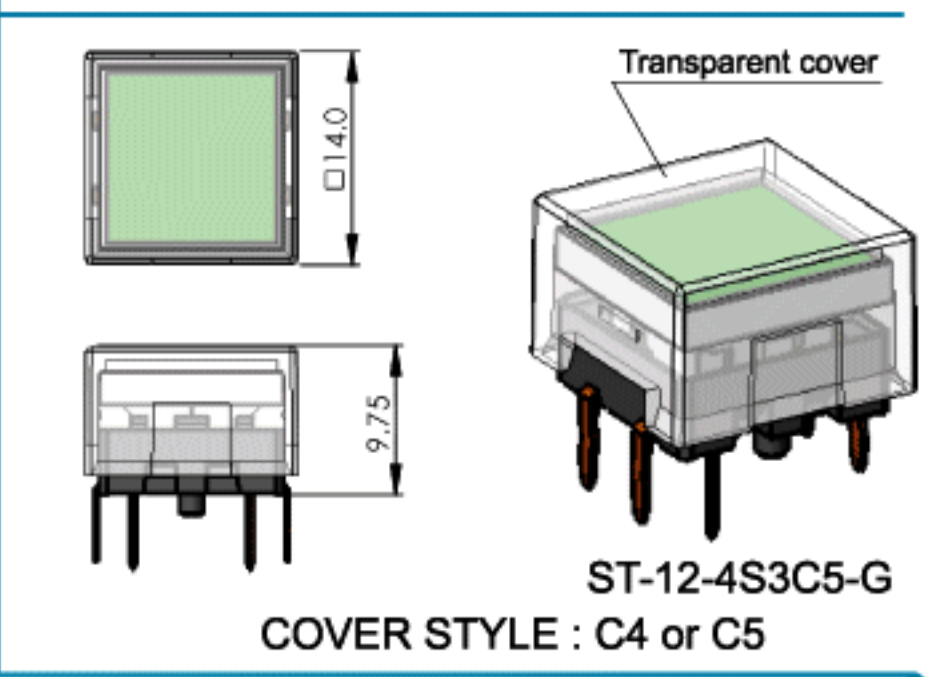
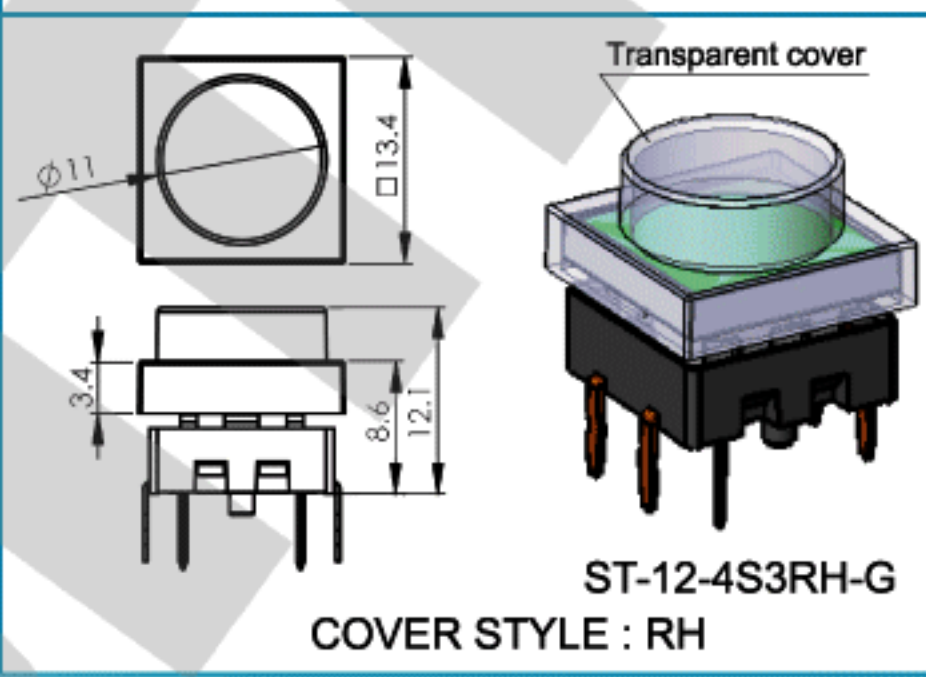
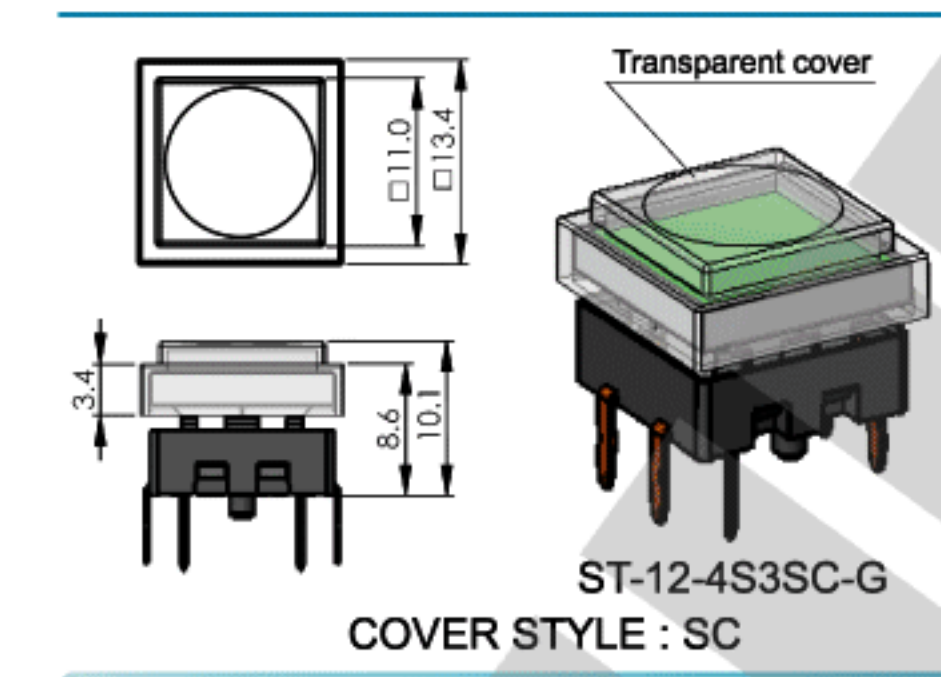
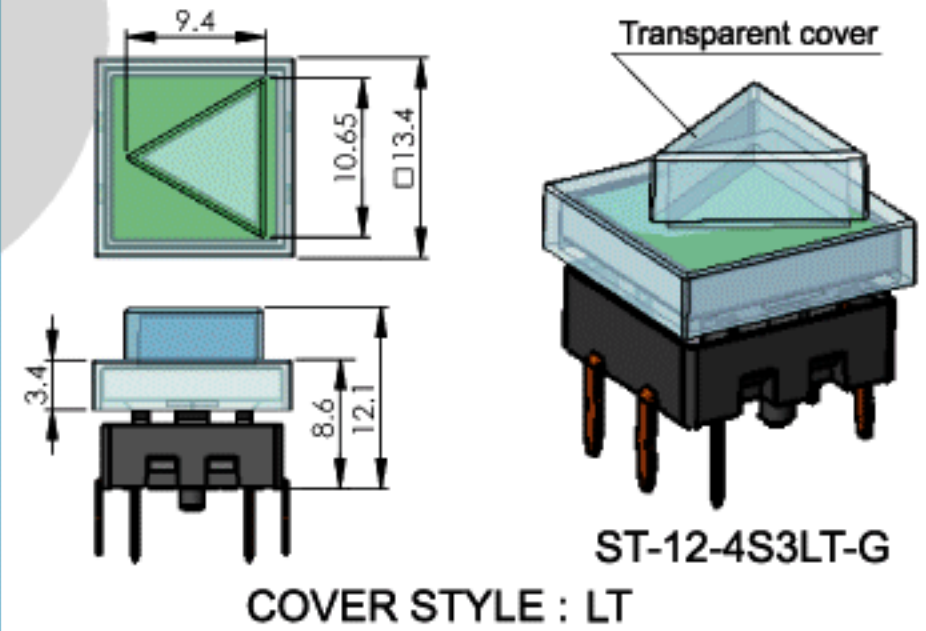
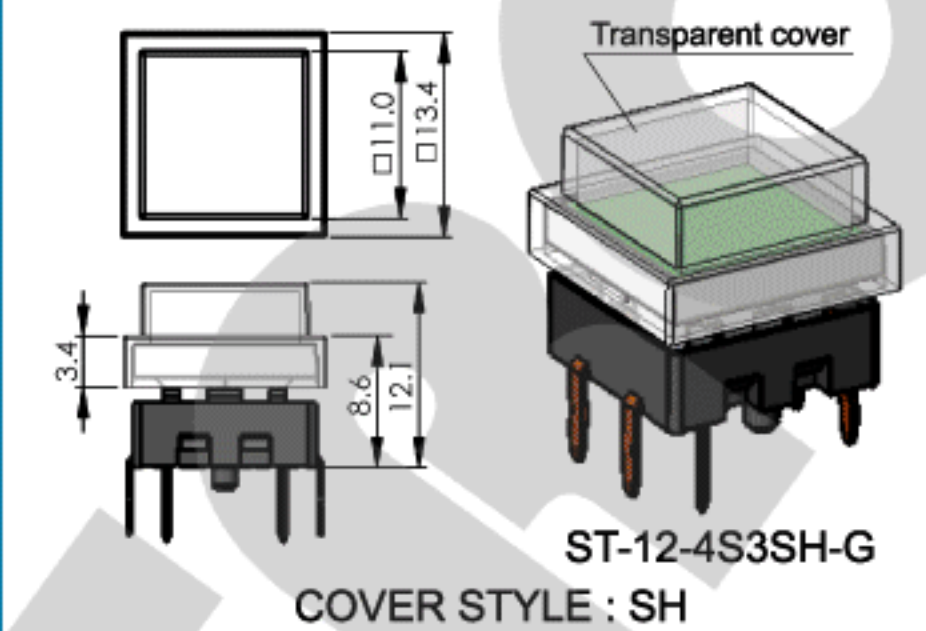
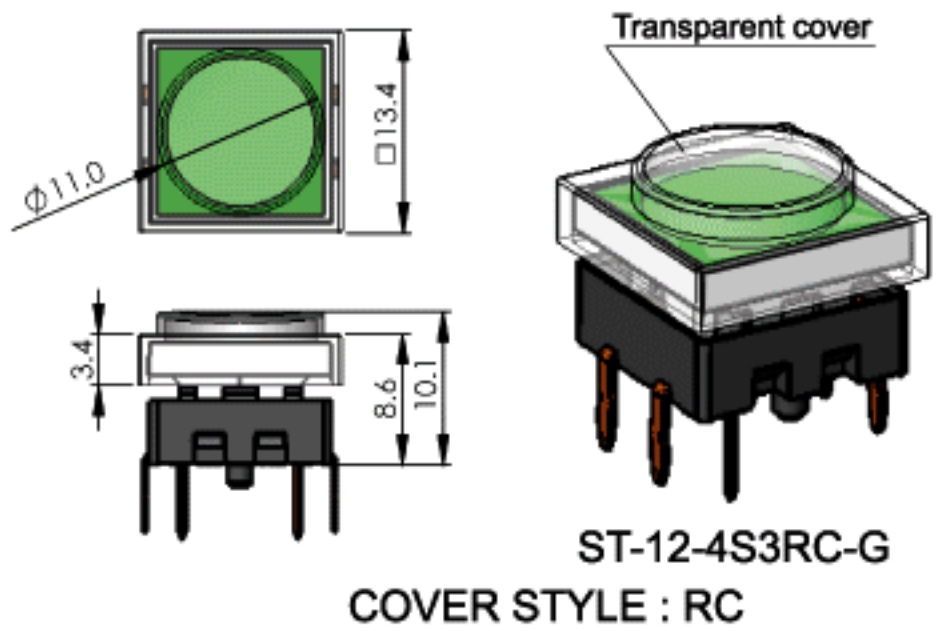


ST-12 Pushbutton key Switches Illuminated (W/LED)



SPECIFICATION:

- Rating : 50mA 12V DC.
- Circuit : SPST.
- Travel : 0.3±0.1mm.
- Contact resistance : 100mΩ Max. (initial)
- Insulation resistance : 100MΩ Min.
- Operating temperature : -10°C ~ +60°C.
- Operating force : 250±50g.
- Electrical life : 100,000 Cycles Min.



HOW TO ORDER

MODEL NO.	CAP COLOR	LED COLOR	TRANSPARENT COVER STYLE	MARKING TYPE	MARKING POSITION
ST-12	1 : Red 2 : Yellow 3 : Green 4 : White 5 : Transparent 6 : Orange 7 : Blue	00 : Without LED 01 : Red S2 : Super Yellow 03 : Green S3 : Super Green 7S : Blue	00 : Without Cover FC : Flat/clear RC : Round h=4.9mm/clear RH : Round h=6.9mm/clear SC : Square h=4.9mm/clear SH : Square h=6.9mm/clear UT : UP Triangle/clear DT : Down Triangle/clear RT : Right Triangle/clear LT : Left Triangle/clear C5 : Flat cover/clear C4 : Flat cover/white (Solid)	□ : Non D6 : Power E0 : D7 : ON/OFF H9 : D8 : ON Others : For inquiry	□ : Non PO : Laser-Engraving on Transparent Cover PI : Laser-Engraving on Cap * M : Print on Transparent Mylar

***Transparent Mylar**

0	1	2	3	4	5	6	7	8	9
A	B	C	D	E	F	G	H	I	J
K	L	M	N	O	P	Q	R	S	T
U	V	W	X	Y	Z	Power	ON/OFF	ON	OFF
		Auto	Enter	Start	STOP	OPEN	CLOSE	Exit	Move

*** put in and assembled by customer**

SPL15 Series Pushbutton Switches (W/LED)



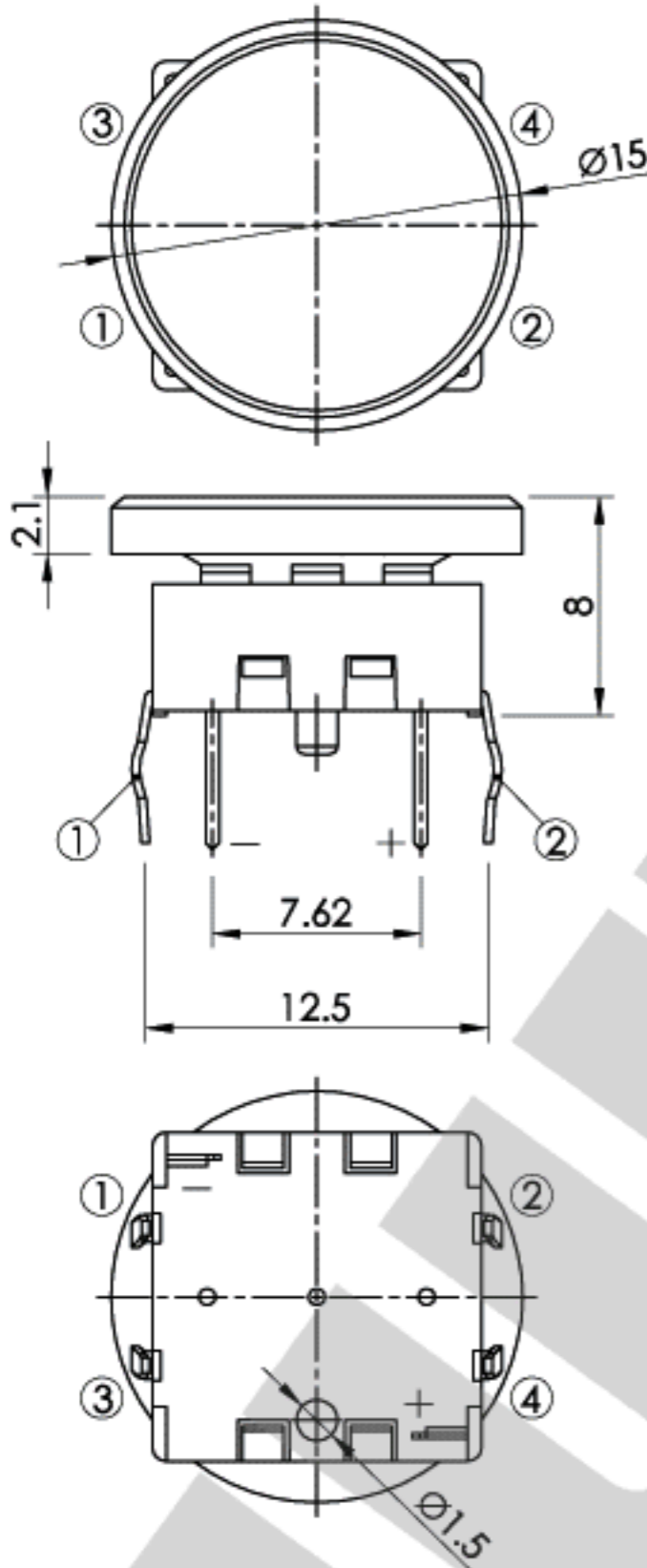
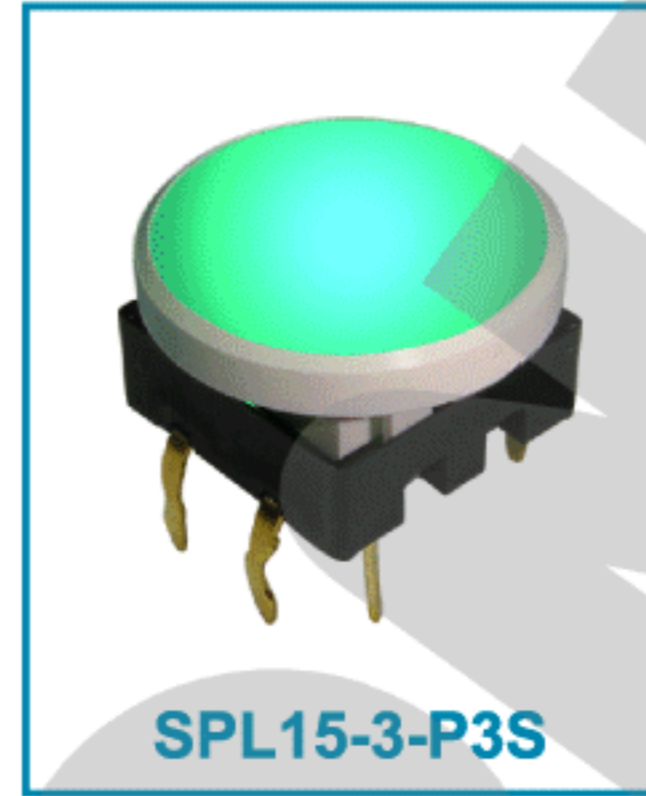
LICO

SPECIFICATION:

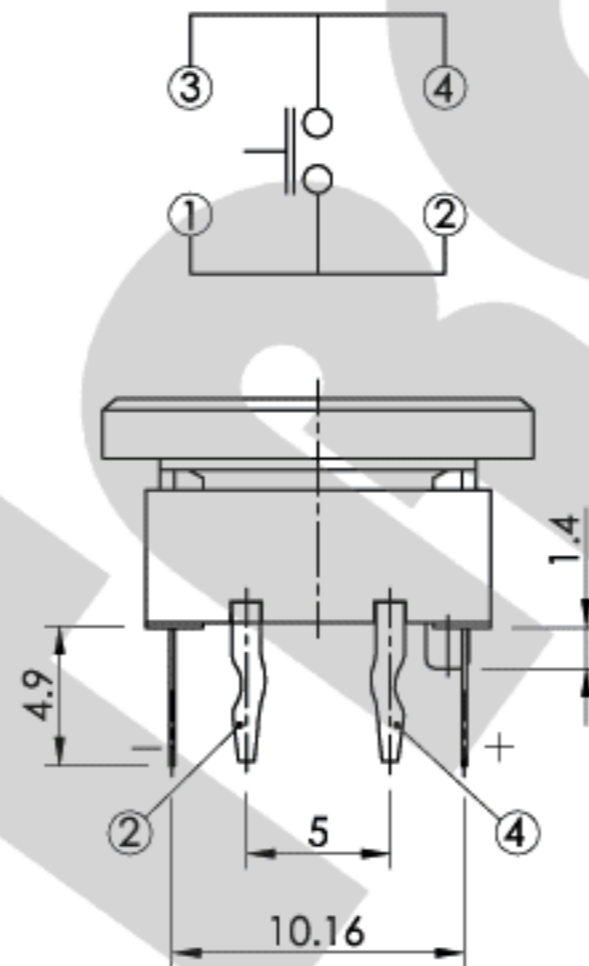
Circuit	: SPST. (Tact)
Rating	: 50mA 12V DC.
Contact resistance	: 100mΩ Max. (initial)
Insulation resistance	: 100MΩ Min. at 100V DC.
Soldering temperature	: 250°C Max. for 3 sec.
Operating force	: 300±50g.
Total travel	: 0.3±0.1mm.
Electrical life	: 5,000,000 Cycles Min.
Withstand voltage	: 250V AC for 1 minute.

MATERIALS:

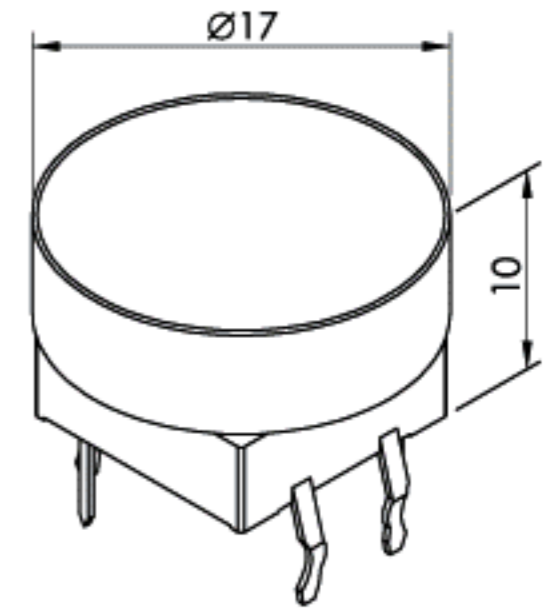
Cover	: PC.
Cap	: PC.
Reflector	: PC.
Base	: PA.
Lamp term	: PBS with gold plated.
Act. dome	: PBS with silver plated.
End term	: Brass with gold plated.



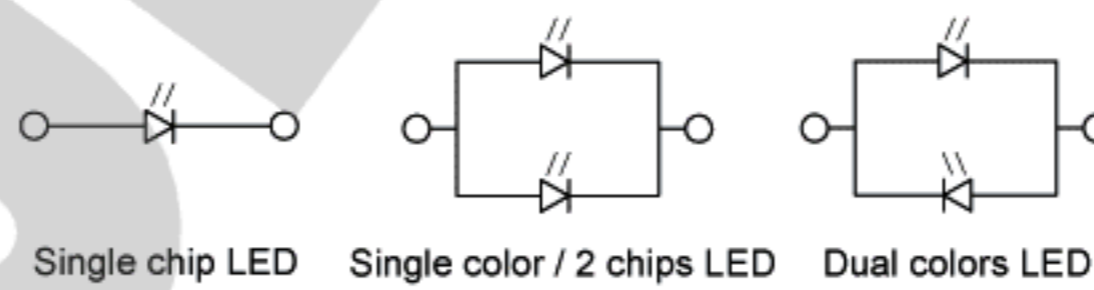
CONTACT CONFIGURATION



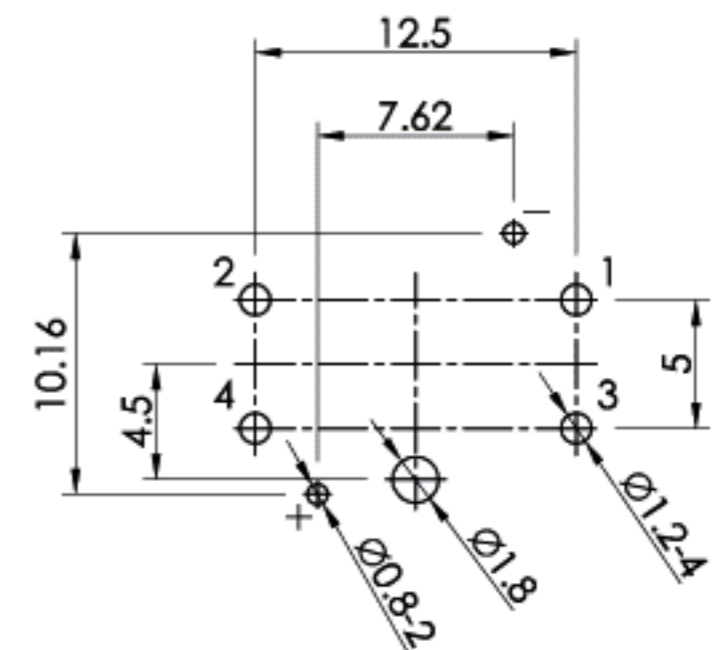
SWITCH WITH VAT COVER



LED CONFIGURATION



P.C.B. LAYOUT



HOW TO ORDER

MODEL NO.	—	CAP COLOR	—	LED COLOR	—	COVER STYLE
-----------	---	-----------	---	-----------	---	-------------

SPL15

- 1 : Red
- 2 : Yellow
- 3 : Green
- 4 : White
- 5 : Transparent
- 6 : Orange
- 7 : Blue

- 00 : Without LED
- 01 : Red
- S2 : Super Yellow
- 03 : Green
- S3 : Super Green
- P3S : Pure Green(single)
- 4S : White(single)
- 7S : Blue(single)
- 17 : Red/Blue
- 1P3 : Red/Pure Green
- P37 : Pure Green/Blue

- : Without Cover
- VAT : Transparent

