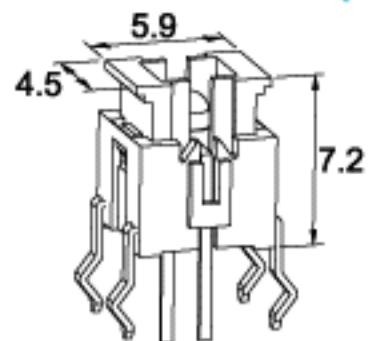


TS Tiny Illuminated Pushbutton Switches (W/SINGLE LED)



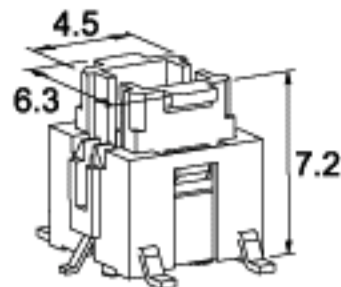
LICO

TS-N-BU (Blue Led)



(Dip, W/LED)
(W/O Cap & Housing)

TS-NS-R (Red Led)



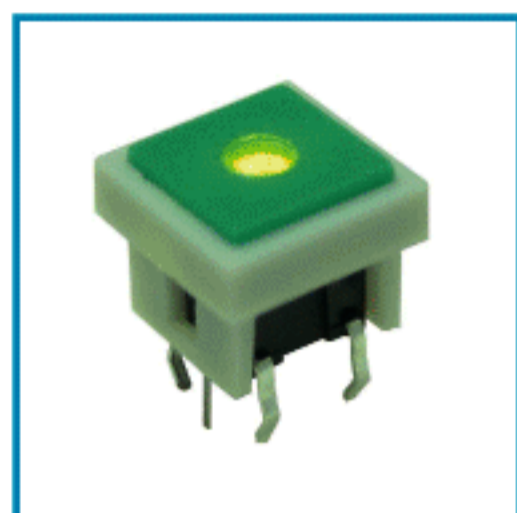
(SMD, W/LED)
(W/O Cap & Housing)

SPECIFICATION:

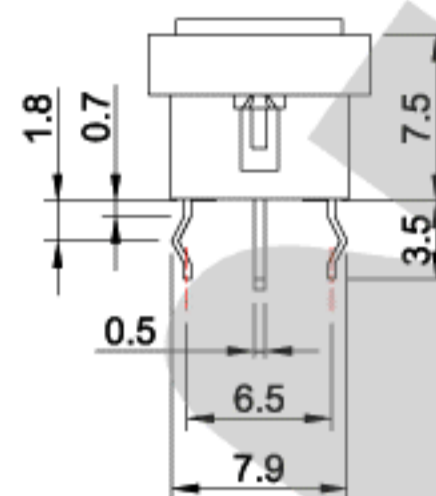
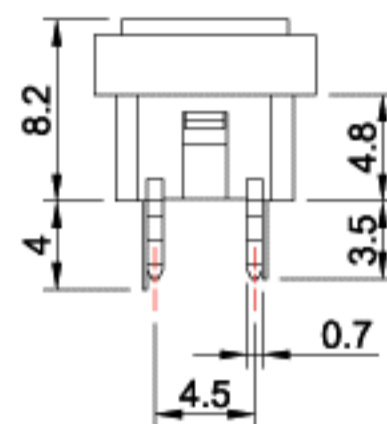
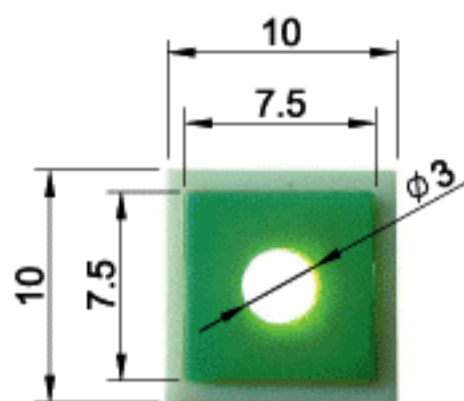
| | |
|-----------------------|--------------------------|
| Circuit | : SPST. (Tact) |
| Rating | : 50mA 12V DC. |
| Contact resistance | : 100mΩ Max. (initial) |
| Insulation resistance | : 100MΩ Min. at 100V DC. |
| Soldering temperature | : 250°C Max. for 3 sec. |
| Operating force | : 180, 200, 250±50g. |
| Total travel | : 0.25±0.2mm. |
| Electrical life | : 100,000 Cycles Min. |
| Withstand voltage | : 250V AC for 1 minute. |

MATERIALS:

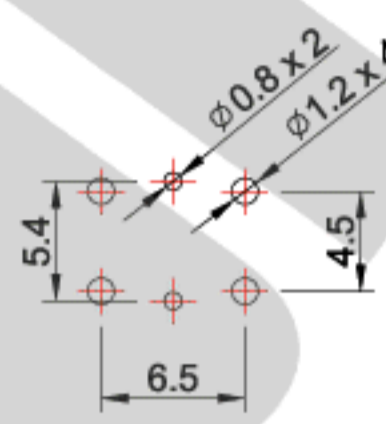
| | |
|-------------|-----------------------------|
| Cap | : ABS. |
| Base | : Nylon 66+30% glass fiber. |
| Stem | : Nylon 66+30% glass fiber. |
| Action dome | : SUS301+AU. |
| Led | : Surface mount chip LED. |
| Terminal | : Brass with silver plated. |



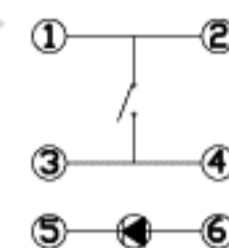
TS-ALGGN-G



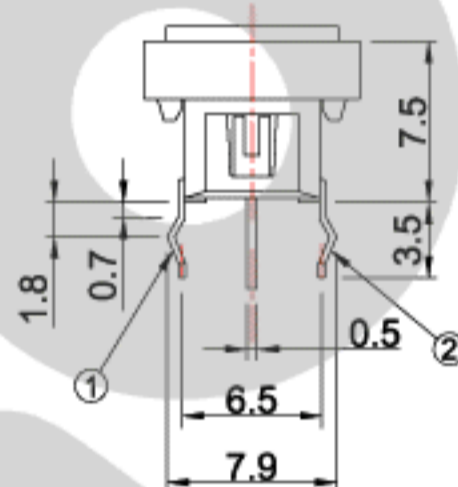
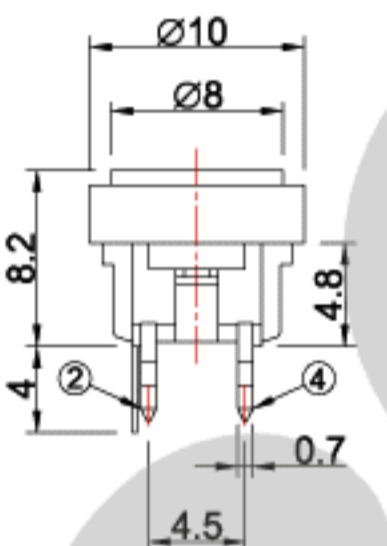
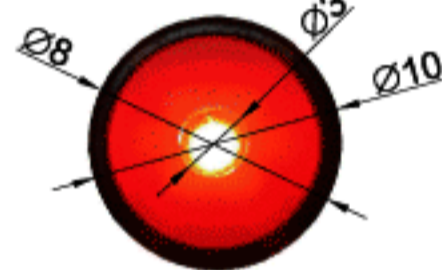
P.C.B. LAYOUT



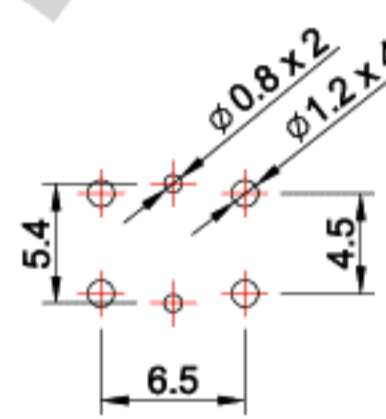
CIRCUIT



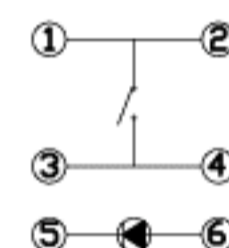
TS-BLBR-R



P.C.B. LAYOUT

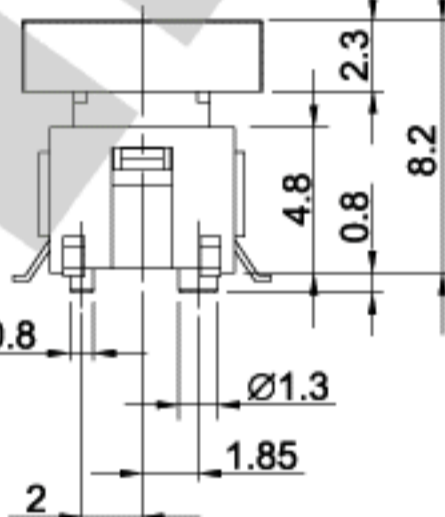
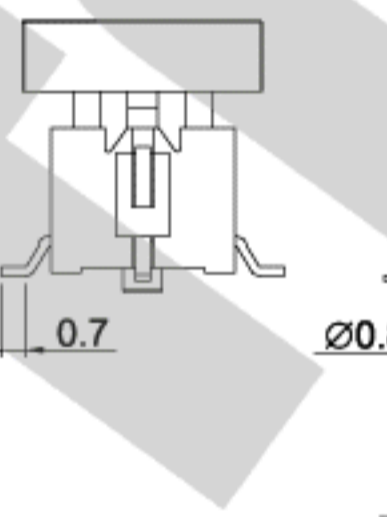
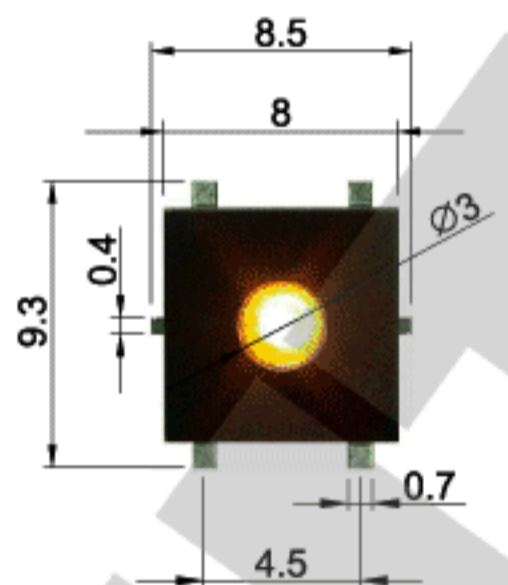


CIRCUIT

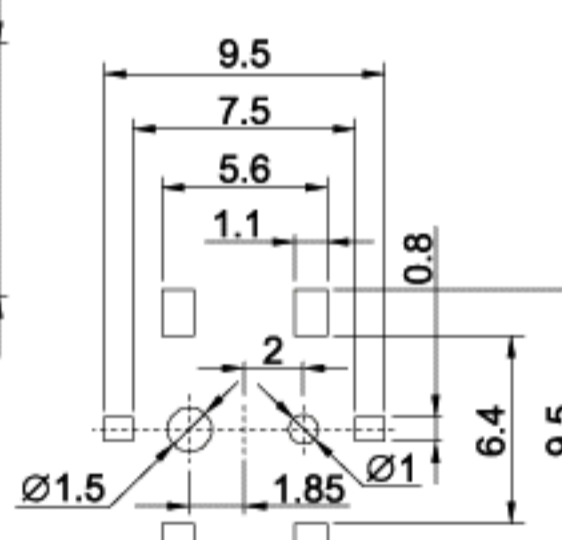


TS-ALSB-Y

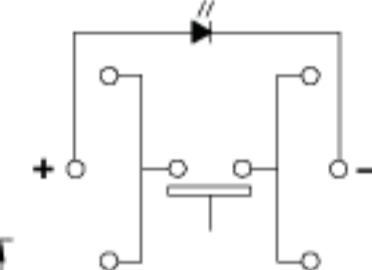
SMD



P.C.B. LAYOUT

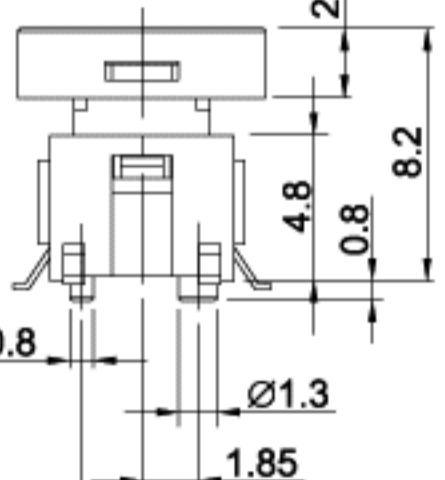
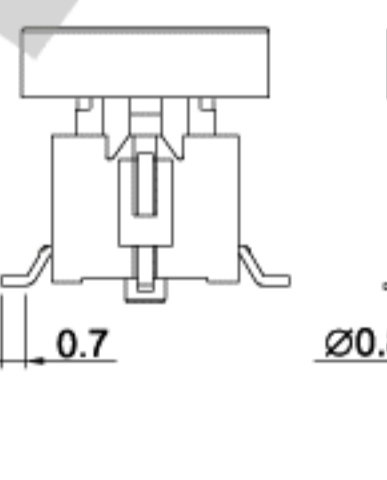
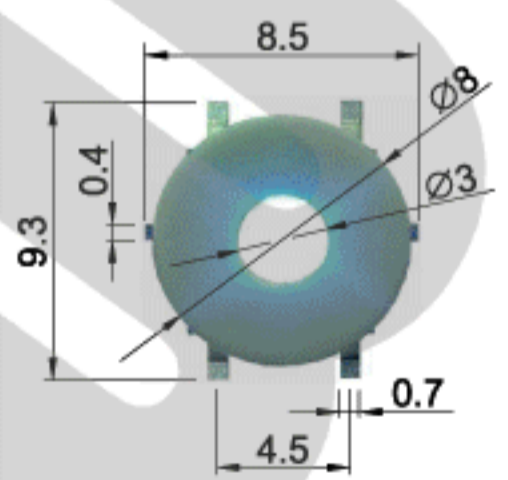


CIRCUIT

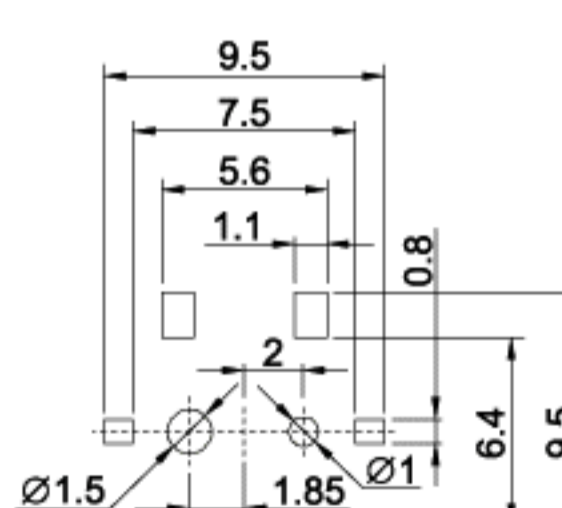


TS-BLSG-BU

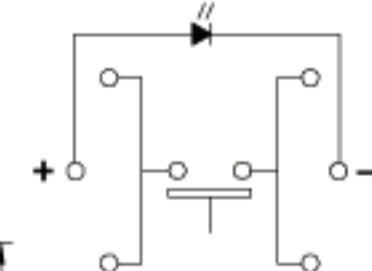
SMD



P.C.B. LAYOUT



CIRCUIT



HOW TO ORDER

| | | | | | | | | | | |
|----|---|-----------------|---|------------------------------|---|---|---|--|---|--|
| TS | - | CAP TYPE | + | TERMINAL | + | HOUSING COLOR | + | CAP COLOR | - | LED COLOR |
| | | N : WITHOUT CAP | | □ : DIP TYPE S : SMD TYPE | | □ : WITHOUT HOUSING (SMD TYPE ONLY) G : LIGHT GRAY B : BLACK | | □ : WITHOUT CAP R : RED GN : GREEN B : BLACK O : ORANGE G : GRAY W : WHITE | | □ : WITHOUT LED R : RED Y : YELLOW G : GREEN O : ORANGE BU : BLUE |

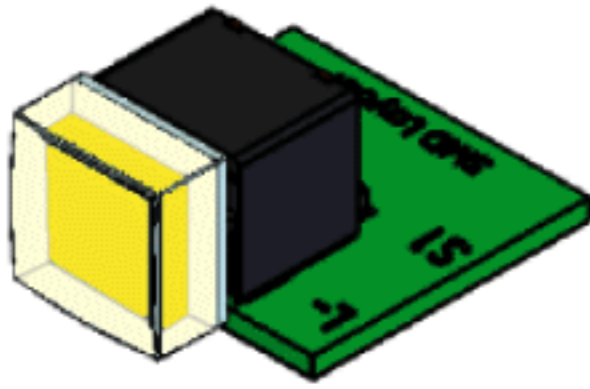
B39



SPJ Series Pushbutton Switches (W/LED)

NEW

LICO



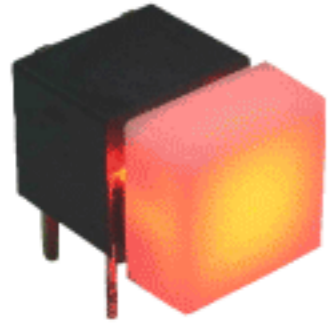
SPECIFICATION:

| | |
|-----------------------|--------------------------|
| Circuit | : SPST. (Tact) |
| Rating | : 50mA 12V DC. |
| Contact resistance | : 100mΩ Max. (initial) |
| Insulation resistance | : 100MΩ Min. at 100V DC. |
| Soldering temperature | : 250°C Max. for 3 sec. |
| Operating force | : 200±50g. |
| Total travel | : 0.3±0.1mm. |
| Electrical life | : 100,000 Cycles Min. |
| Withstand voltage | : 250V AC for 1 minute. |

MATERIALS:

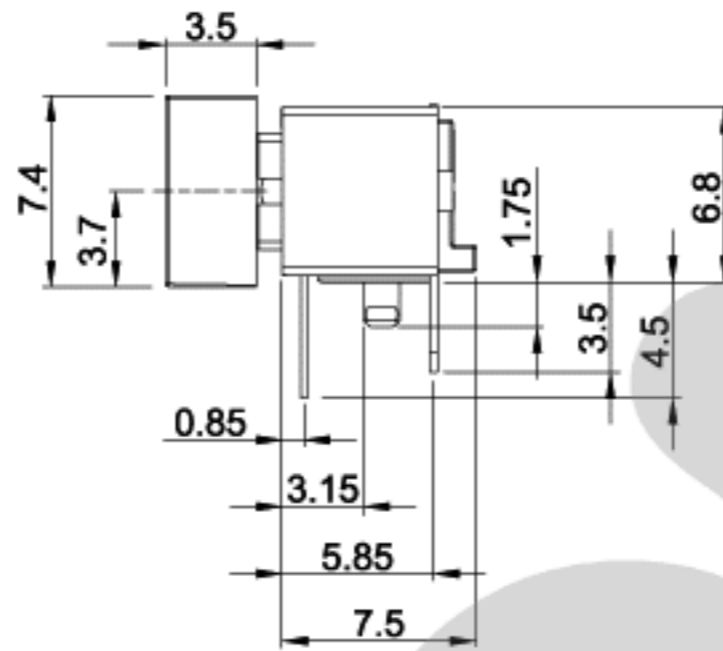
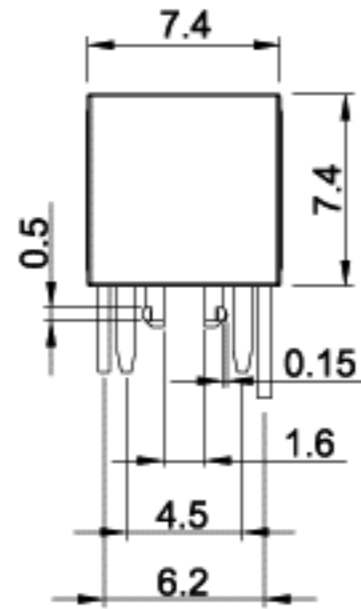
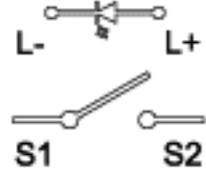
| | |
|--------------------|---------------------------------------|
| Cap | : PC. |
| Base | : LCP. |
| Reflector | : PA9T. |
| Film insert | : White plastic tape. |
| Terminal | : Brass with gold plated. |
| Led | : Resin(mold) epoxy wire. |
| Waterproof cushion | : Transparent-white paste. |
| Action dome | : Stainless steel with Silver plated. |

NEW

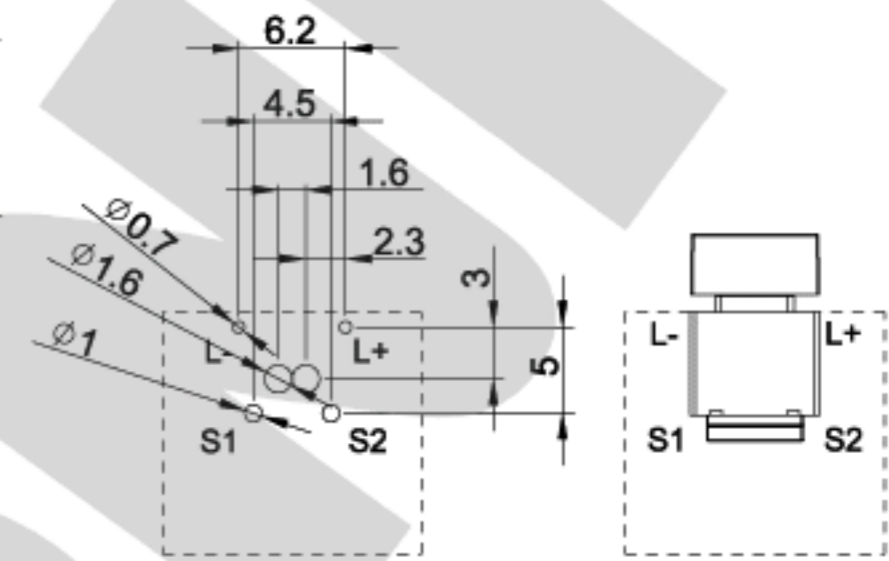


SPJ-P-1-FC-7

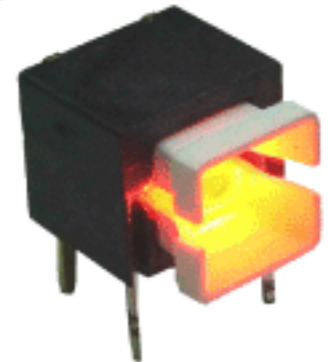
CONTACT CONFIGURATION



P.C.B. LAYOUT

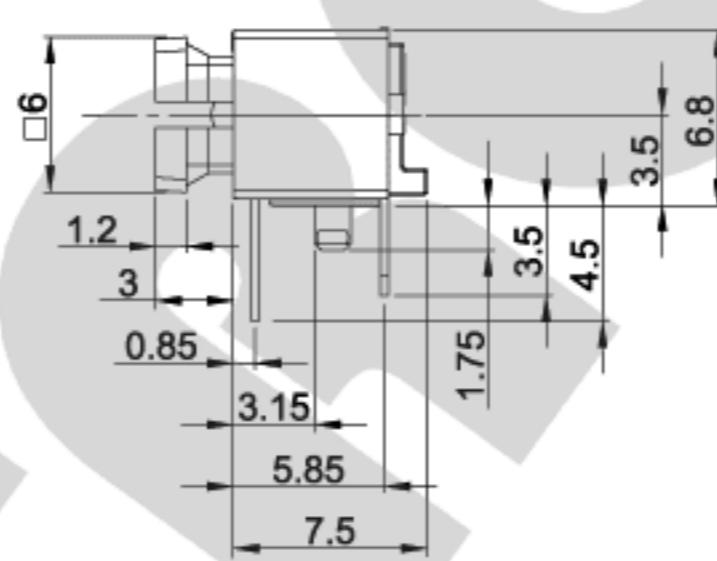
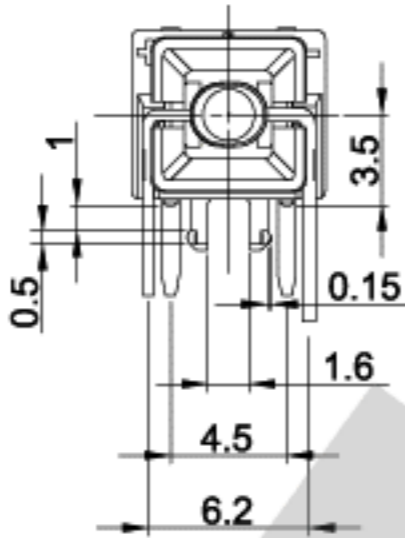
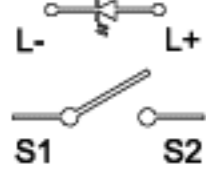


NEW

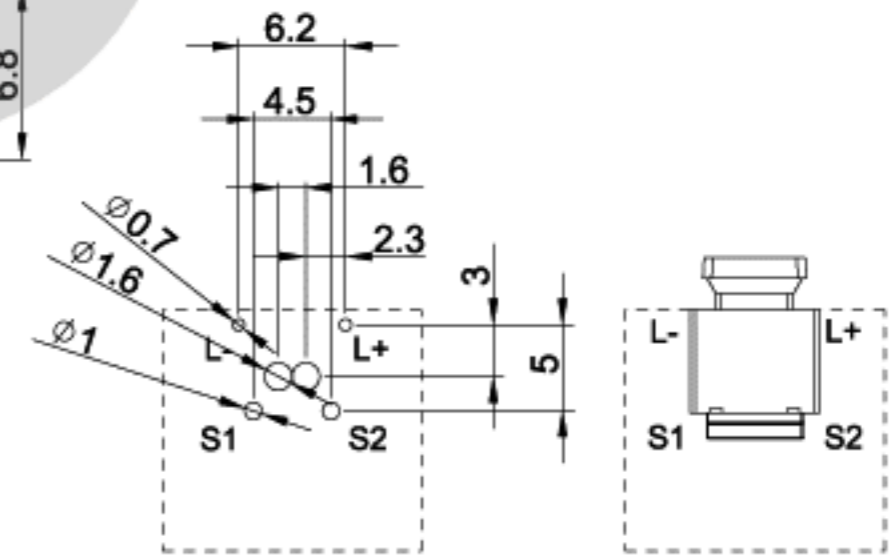


SPJ-P-1-N

CONTACT CONFIGURATION

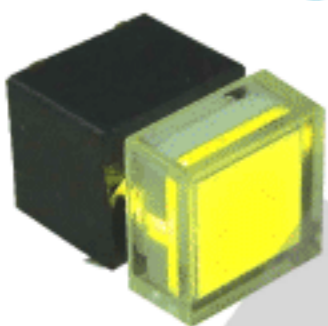


P.C.B. LAYOUT



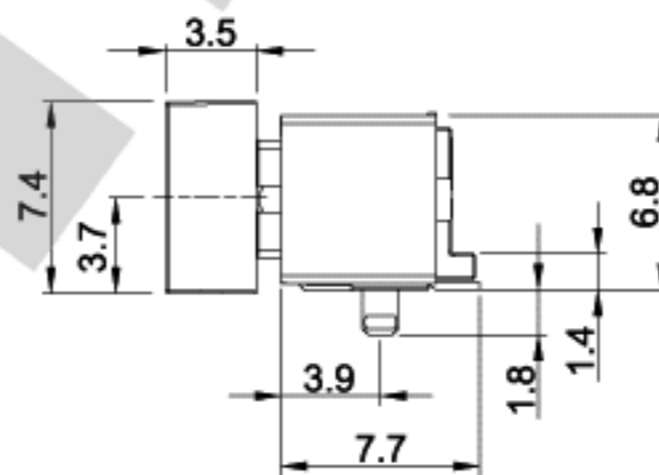
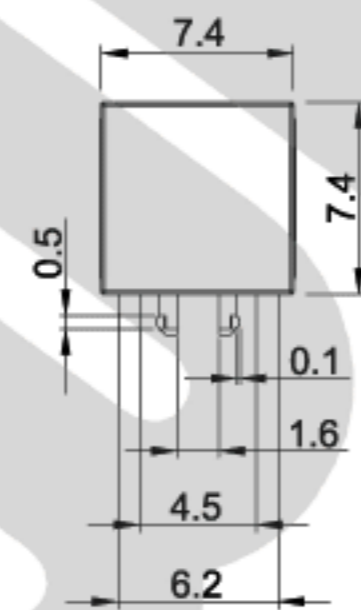
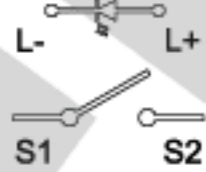
NEW

SMD

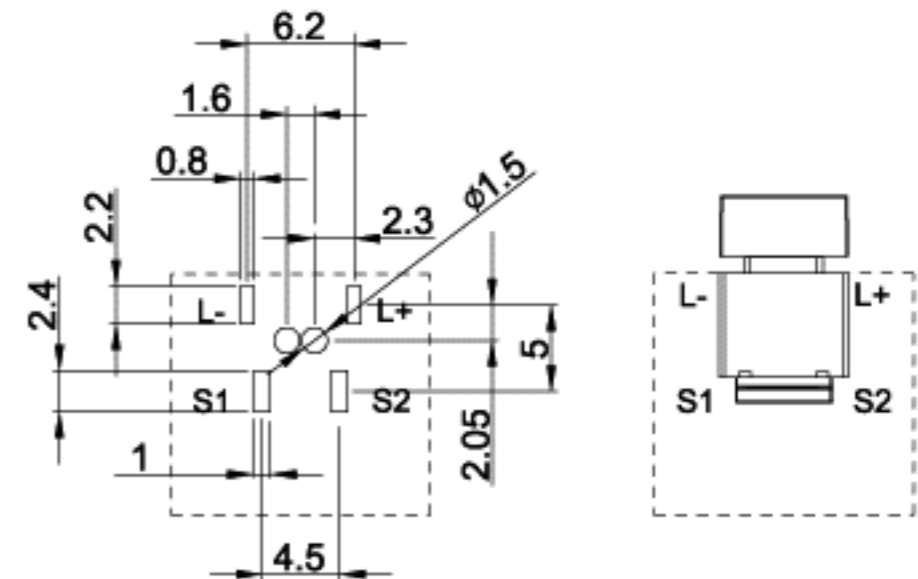


SPJ-S-3-FC-T

CONTACT CONFIGURATION



P.C.B. LAYOUT



HOW TO ORDER

| | | | | | | | | |
|-----|---|------------------------------|---|--|---|---------------------------------|---|------------------------------|
| SPJ | - | TERMINAL | - | LED COLOR | - | CAP TYPE | - | CAP COLOR |
| | | S : SMD TYPE P : DIP TYPE | | N : Without LED 1 : Red 2 : Yellow 3 : Green 4 : White 7 : Blue | | N : Without CAP FC : FC TYPE | | T : Transparent 7 : White |

LICO

LICO Electronics www.bauelemente.at office@lico.at office@lico.hu office@lico.ro

B40