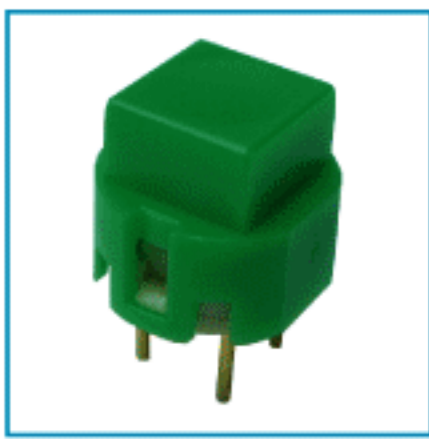
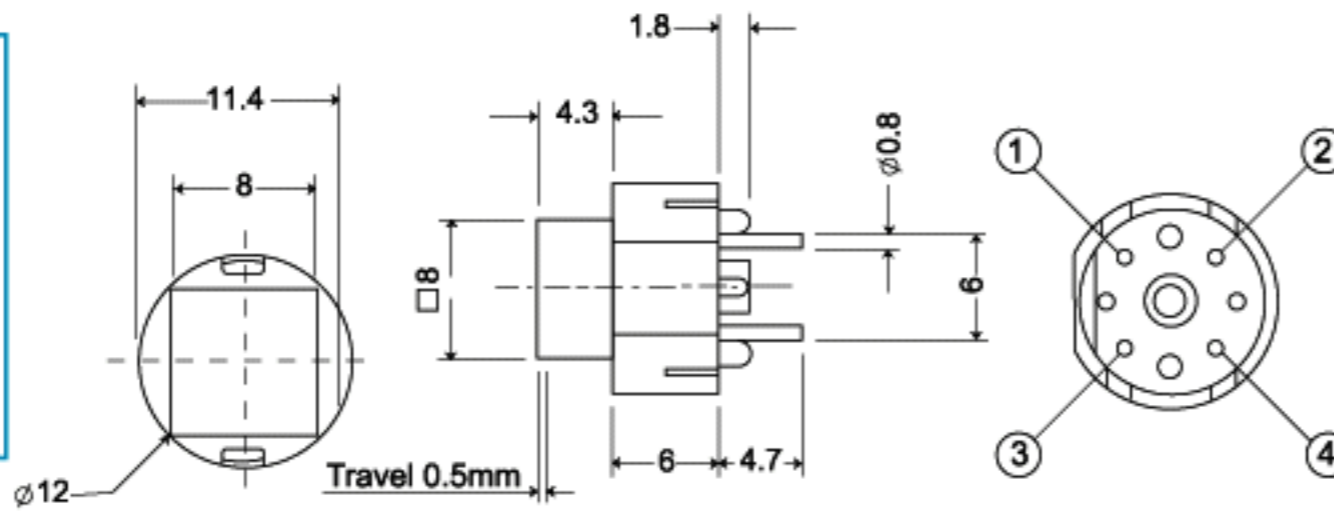


KS-505 Series Lightly-Touch Key Switches

LICO



KS-505A

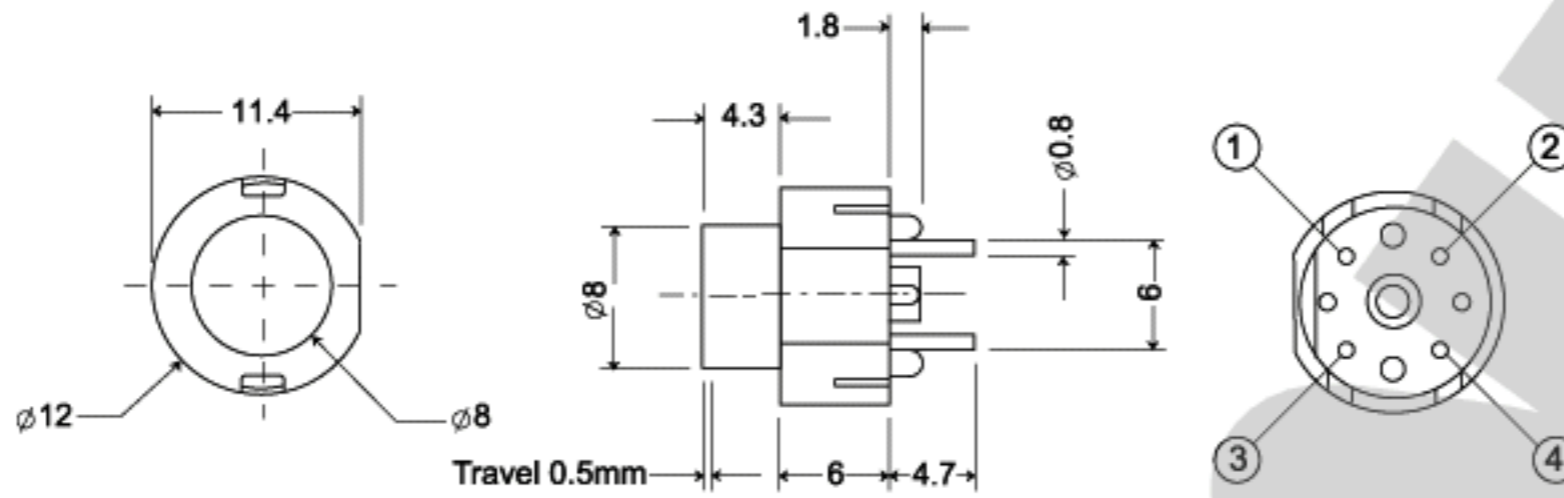


SPECIFICATION:

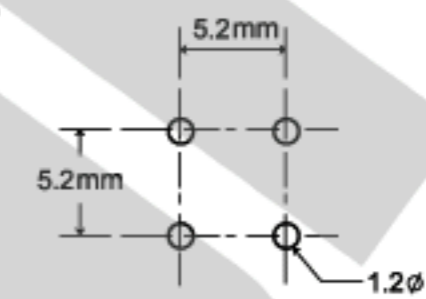
Circuit	: PUSH (ON)
Rating	: 0.25A 125V AC
Contact resistance	: 30mΩ
Insulation resistance	: 100MΩ at 500V DC.
Withstand voltage	: 500V AC for 1 minute
Operating force	: 100±50g
Mechanical life	: 100,000 Cycles.
Operating temperature	: -20°C to +60°C



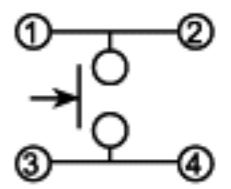
KS-505B



P.C.B. LAYOUT



Schematic



HOW TO ORDER

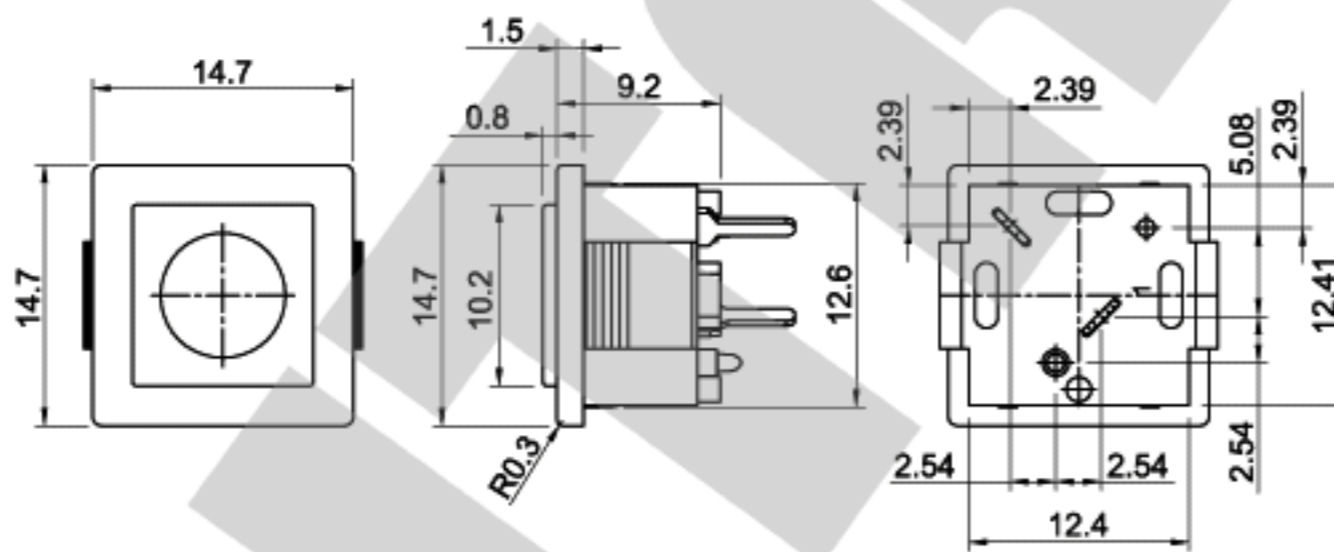
MODEL NO.	+	CAP TYPE	+	CAP COLOR	+	CONTACT & TERMINAL MATERIAL	-	OPERATING FORCE
KS-505		A : SQUARE B : ROUND		BU : BLUE Y : YELLOW GN : GREEN O : ORANGE B : BLACK G : GRAY R : RED		R : GOLD		L : 100±50g * H : 180±50g (std.) (Click Sound)

TS3-B PB-04 Pushbutton Key Switches

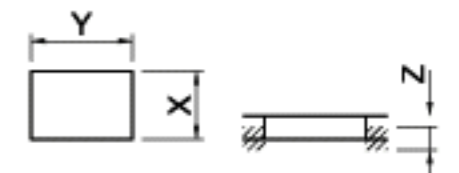
NEW SNAP-IN TYPE



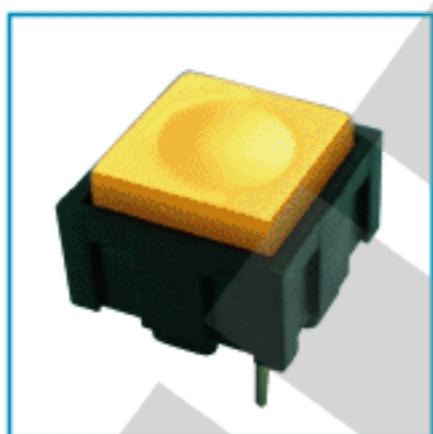
TS3-B



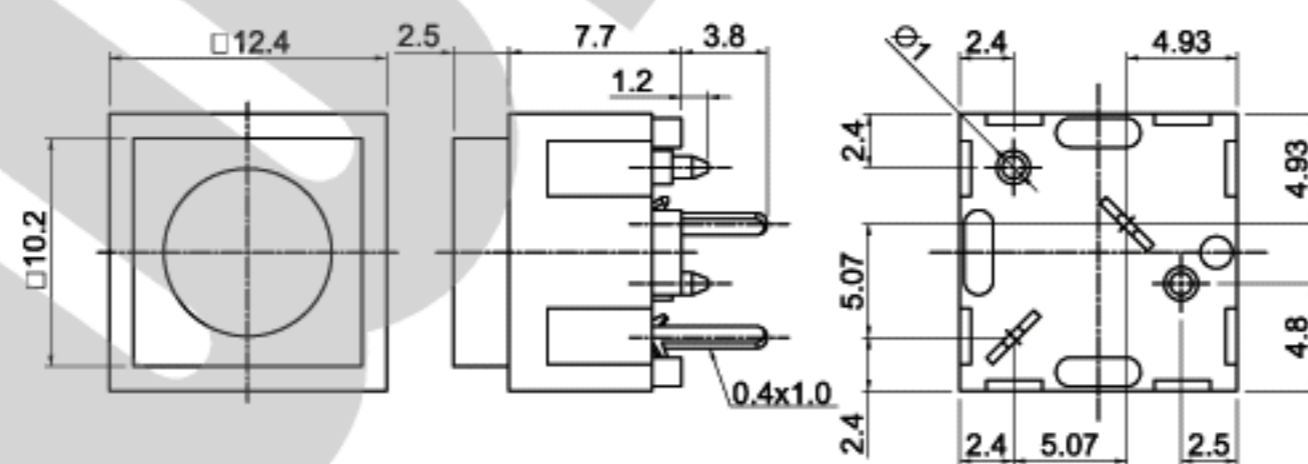
PANEL OUT-CUT		
Z	X	Y
1.0~1.2	12.5~12.6	14.0~14.1



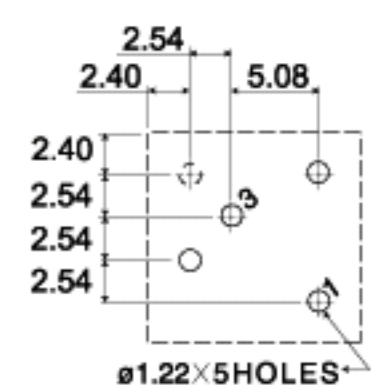
Circuit: OFF-(ON).
 Rating: 0.5A 30V DC 10,000 cycles
 0.25A 50V DC / 125V AC 100,000 cycles.
 Insulation resistance: 100MΩ Min.
 Travel: 0.45±0.15mm.
 Contact resistance: 150mΩ Max.
 Withstand voltage: 1,000V AC for 1 minute.
 Operating temperature range: -25 °C ~ +65 °C.
 Operating humidity range: 85 %RH.
 Terminals: Silver or Gold plated.



PB-04



P.C.B. LAYOUT



Circuit: OFF-(ON).
 Rating: 0.25A 125V AC Max.
 Operating force: 250±50g.
 Contact resistance: 30mΩ @1A 5V DC.
 Withstand voltage: 500V AC for 1 minute.
 Insulation resistance: 100MΩ at 500V DC Min.
 Mechanical life: 40,000 Cycles.
 Terminals: Tin or Gold plated.

HOW TO ORDER

MODEL NO.	+	BUTTON COLOR	+	MOVABLE CONTACT AND TERMINAL MATERIAL
TS3-B PB-04		R : RED BU : BLUE B : BLACK Y : YELLOW O : ORANGE G : GRAY GN : GREEN W : WHITE		Q : SILVER or TIN PLATED R : GOLD PLATED

LICO

LICO Electronics www.bauelemente.at office@lico.at office@lico.hu office@lico.ro