

SK Series Slide Switches

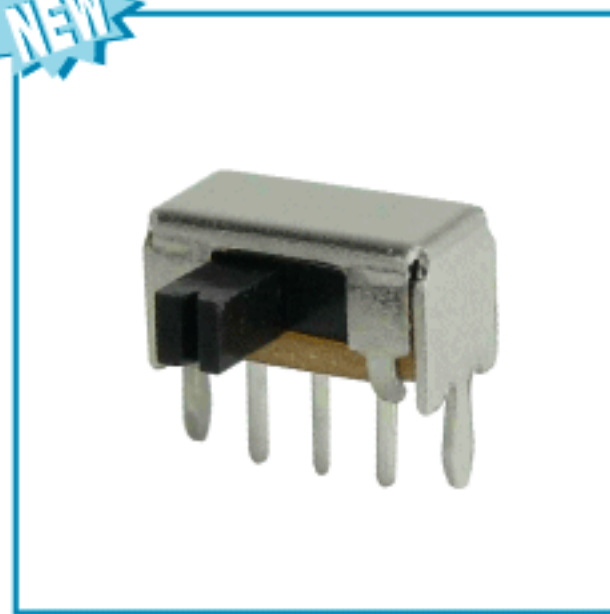
LICO

SPECIFICATION:

Rating	: 0.3A 50V DC
Contact resistance	: 30mΩ. (initial)
Insulation resistance	: 100MΩ at 500V DC
Withstand voltage	: 500V AC for 1 minute
Mechanical life	: 10,000 Cycles (unloading/15-18 Cycles per minute)

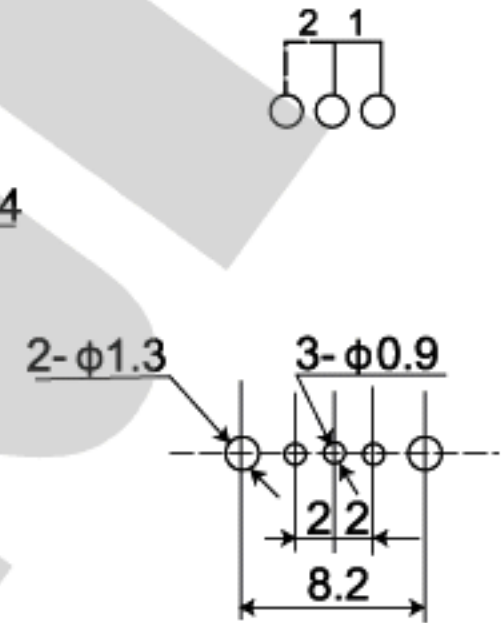
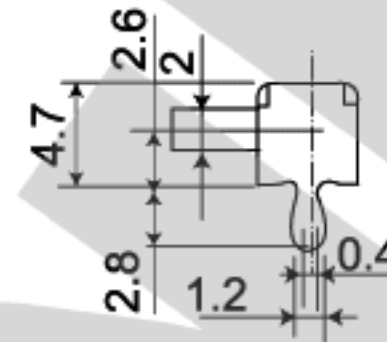
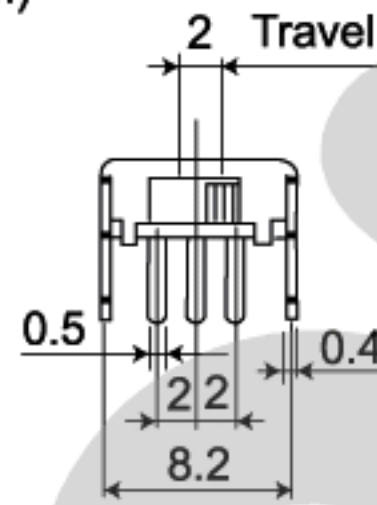
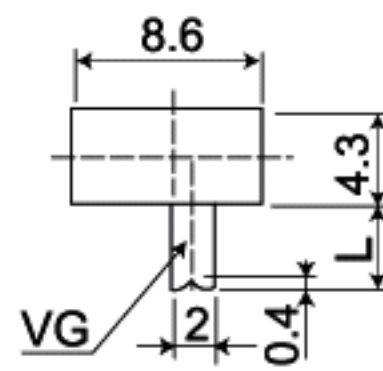
NEW

1P2T



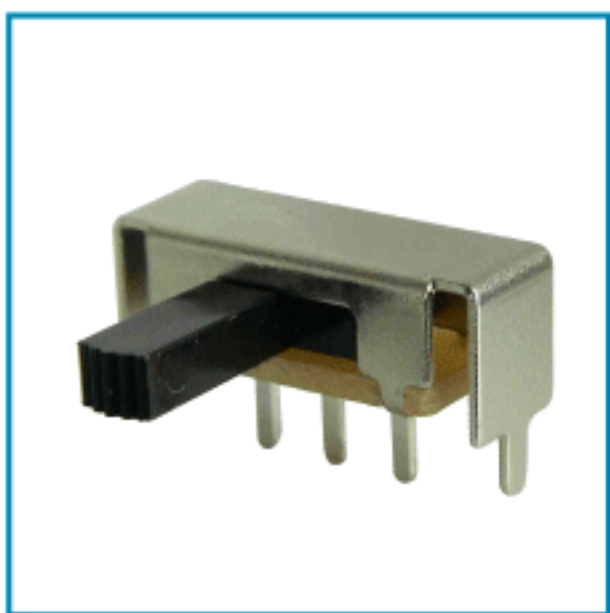
SK12D07VG

Optional knob size (L)
VG : 2-12mm (Standard 2, 4, 6mm)



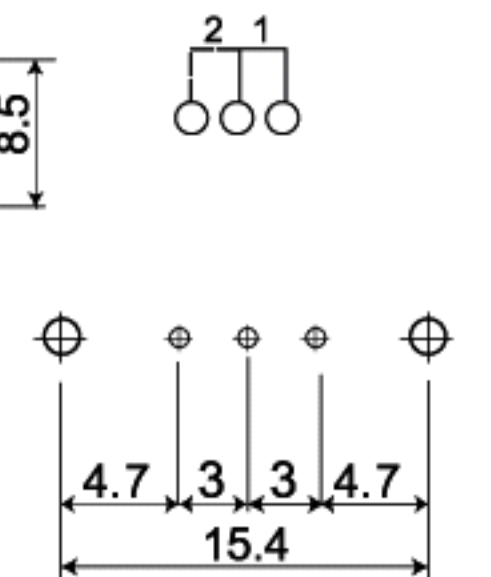
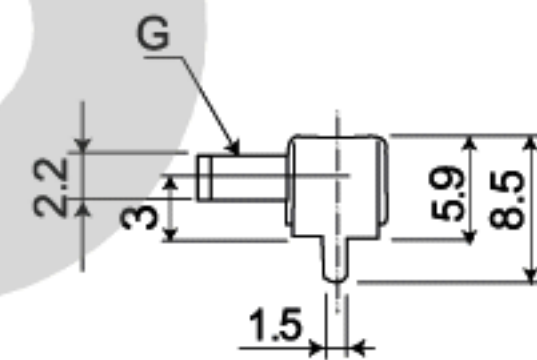
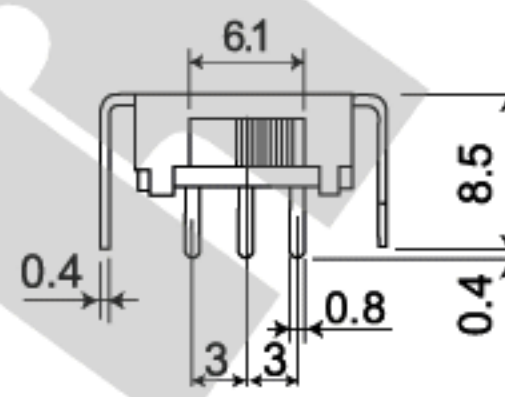
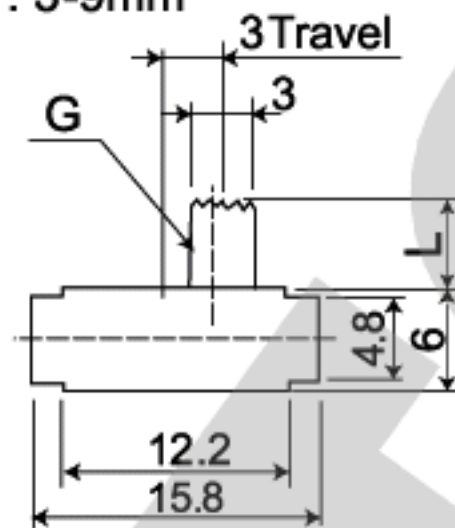
P.C.B. LAYOUT $\oplus 0.05$

1P2T



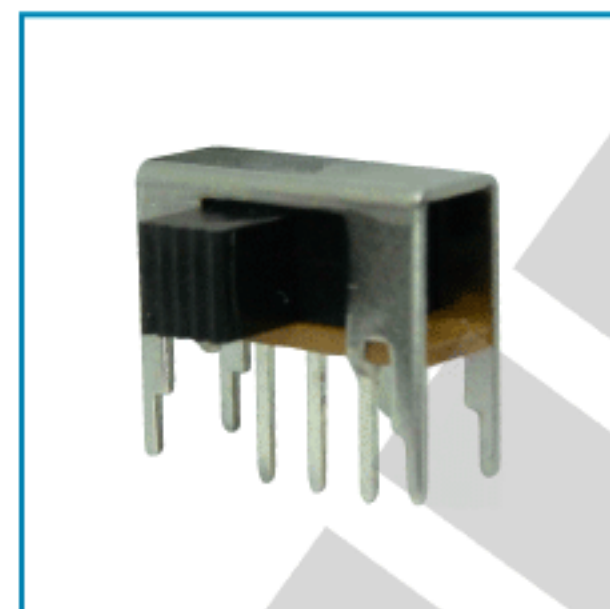
SK12F02G

Optional knob size (L)
G : 3-9mm



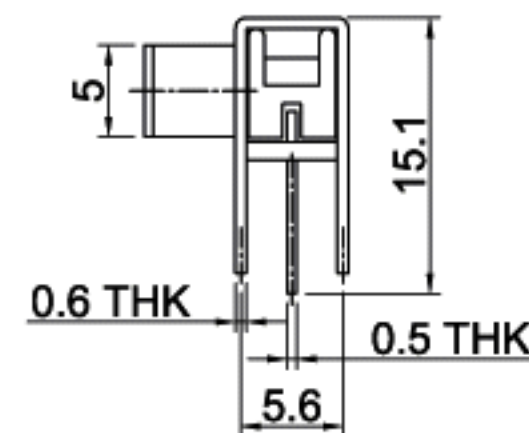
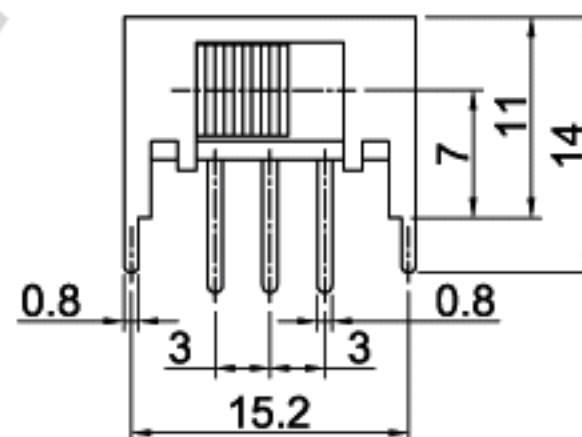
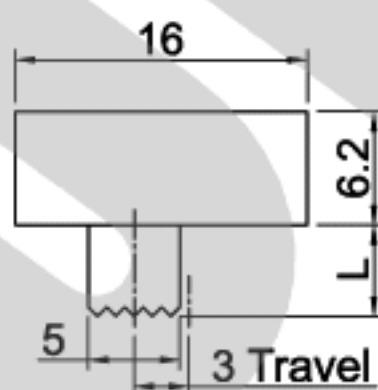
P.C.B. LAYOUT $\oplus 0.05$

1P2T

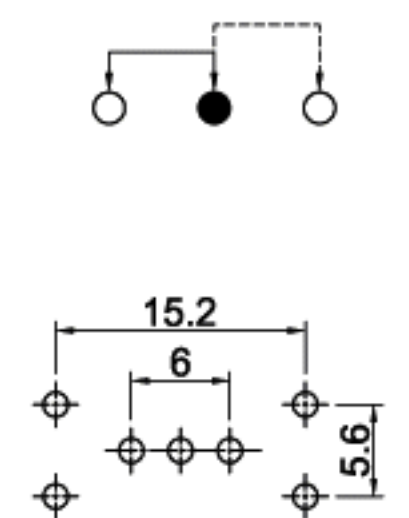


SK12F05G

Optional knob size (L)
G : 2 - 10mm

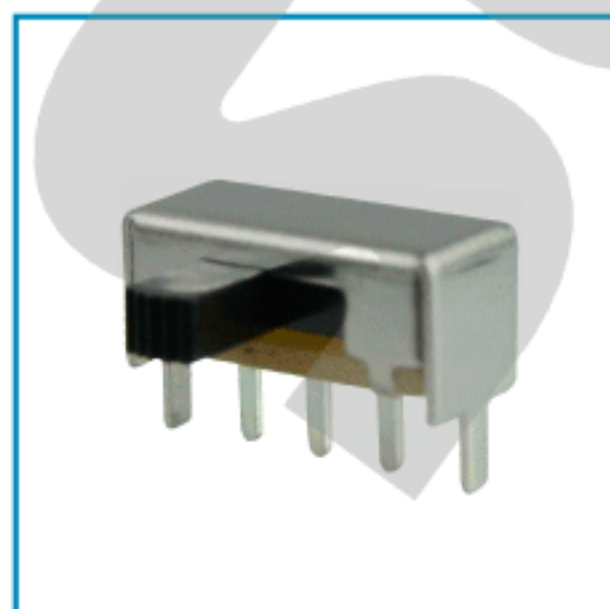


SCHEMATIC (NON-SHORTING)



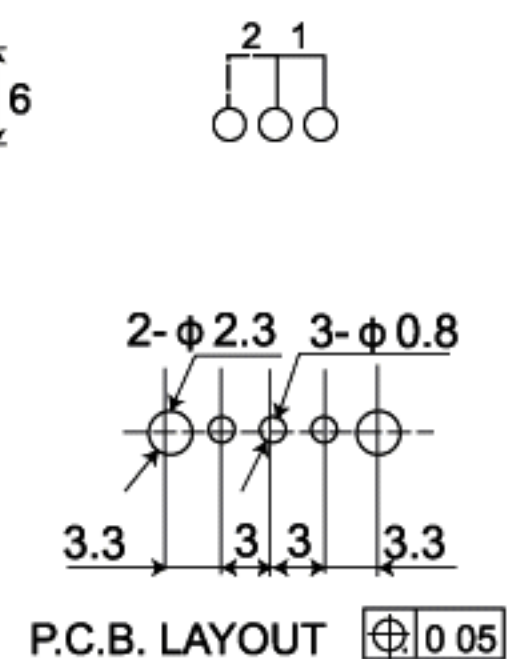
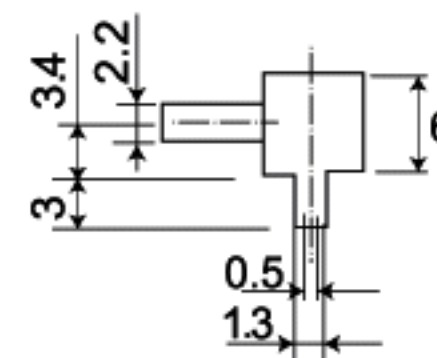
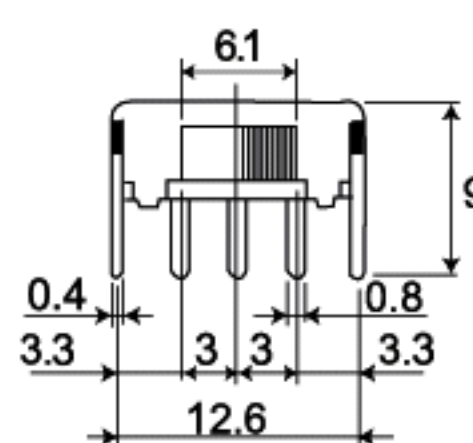
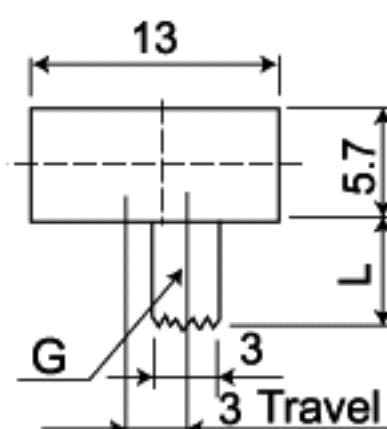
P.C.B. LAYOUT

1P2T



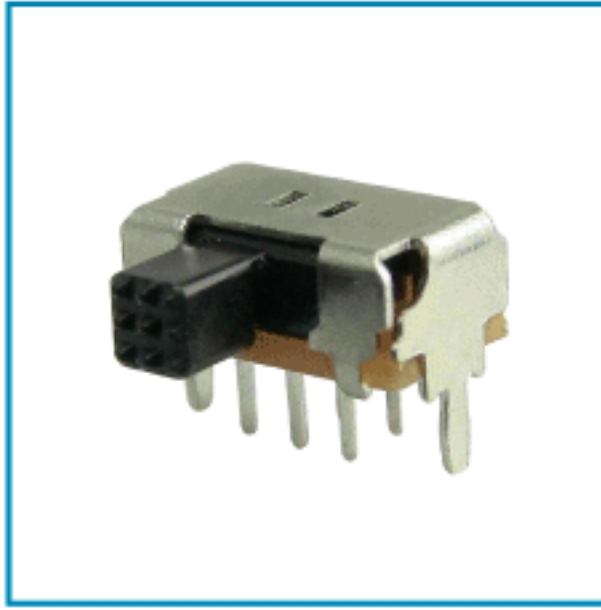
SK12F14G

Optional knob size (L)
G : 3-9mm

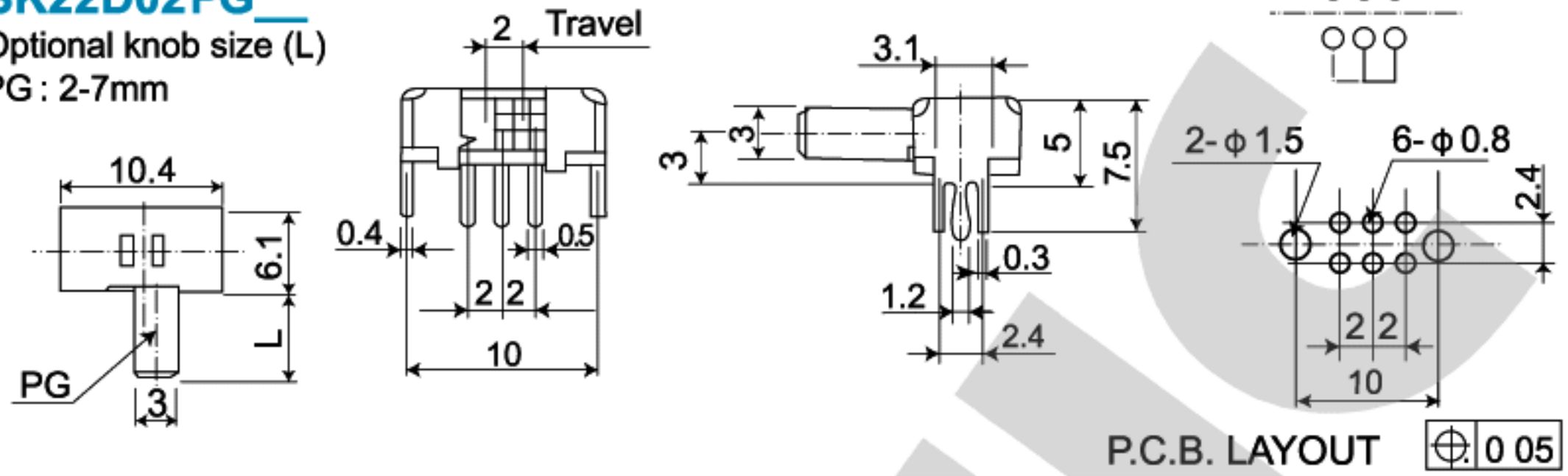


P.C.B. LAYOUT $\oplus 0.05$

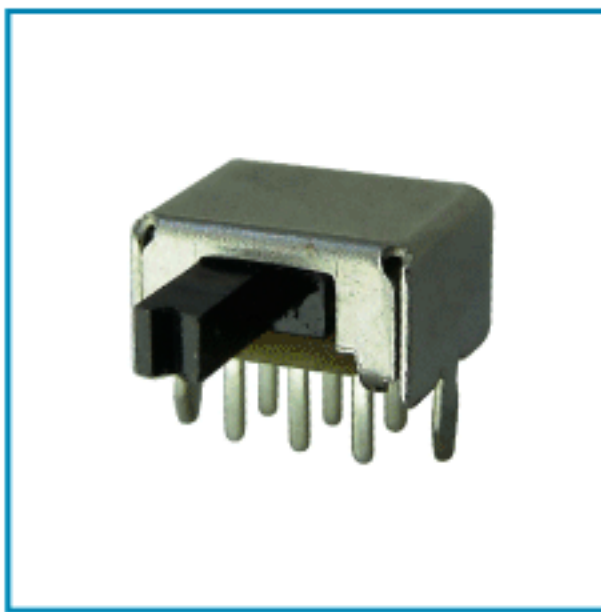
2P2T



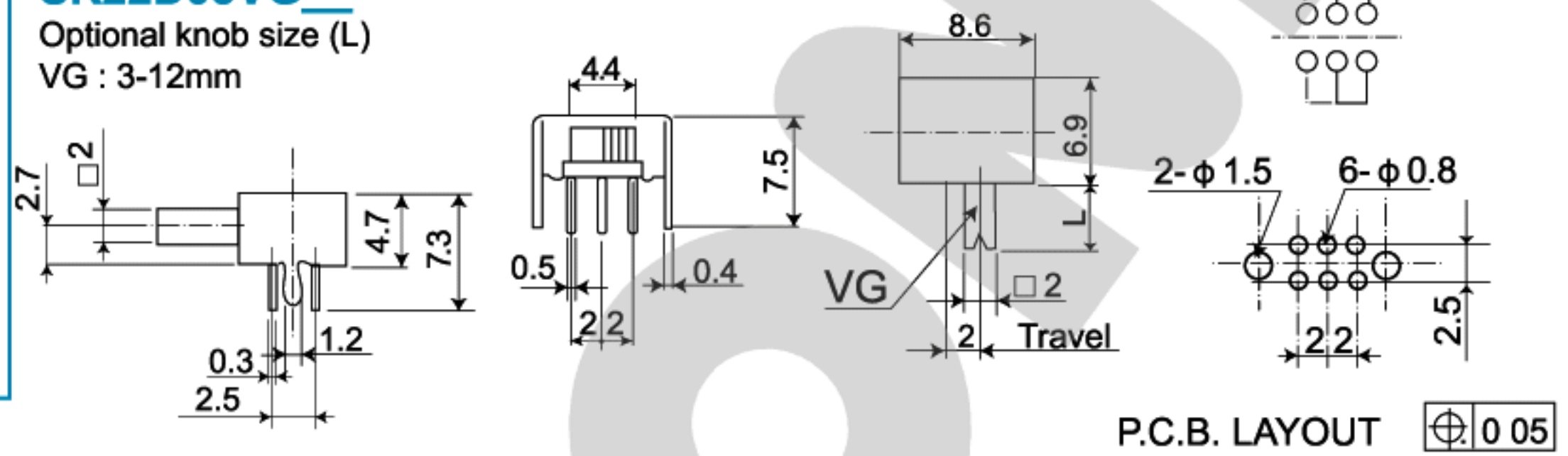
SK22D02PG
Optional knob size (L)
PG : 2-7mm



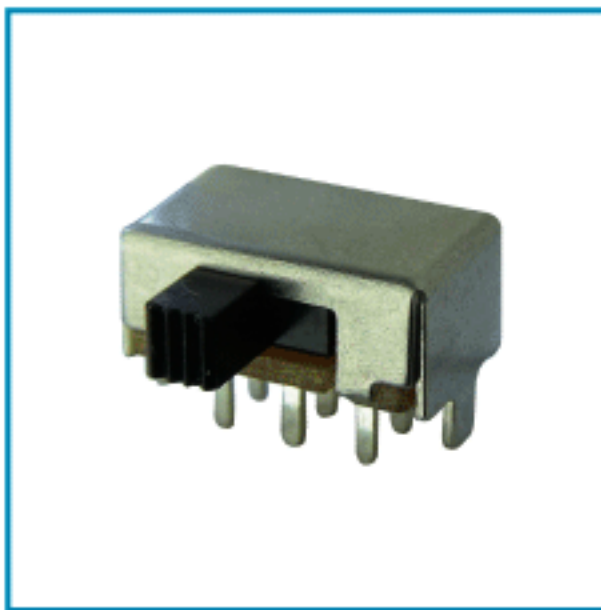
2P2T



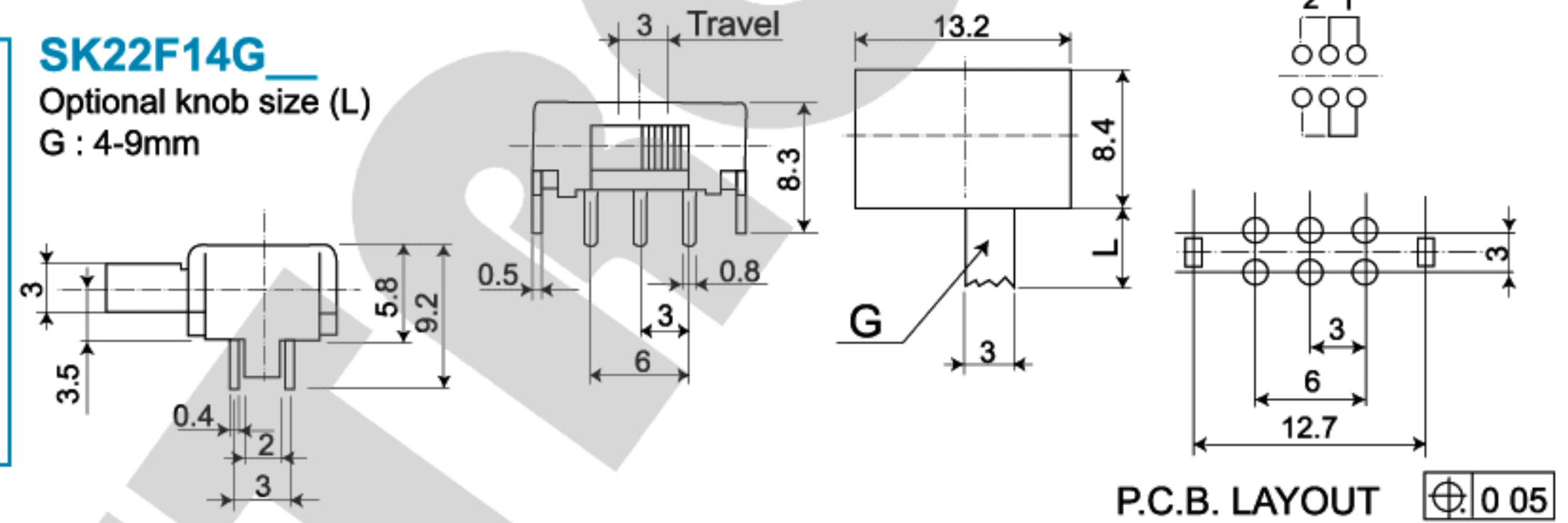
SK22D03VG
Optional knob size (L)
VG : 3-12mm



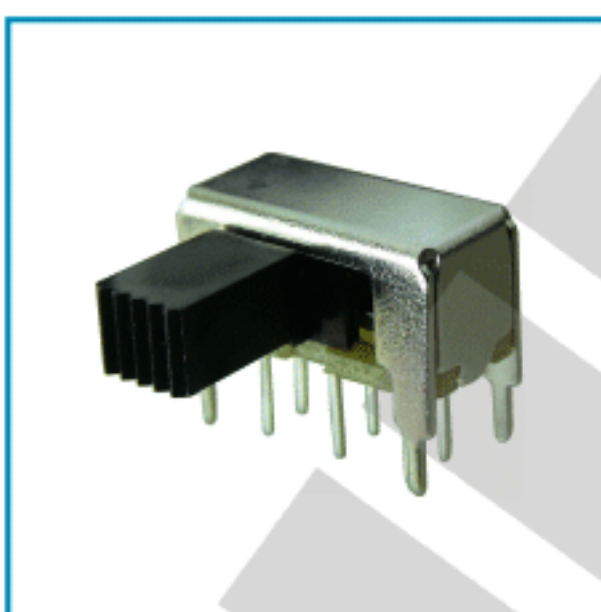
2P2T



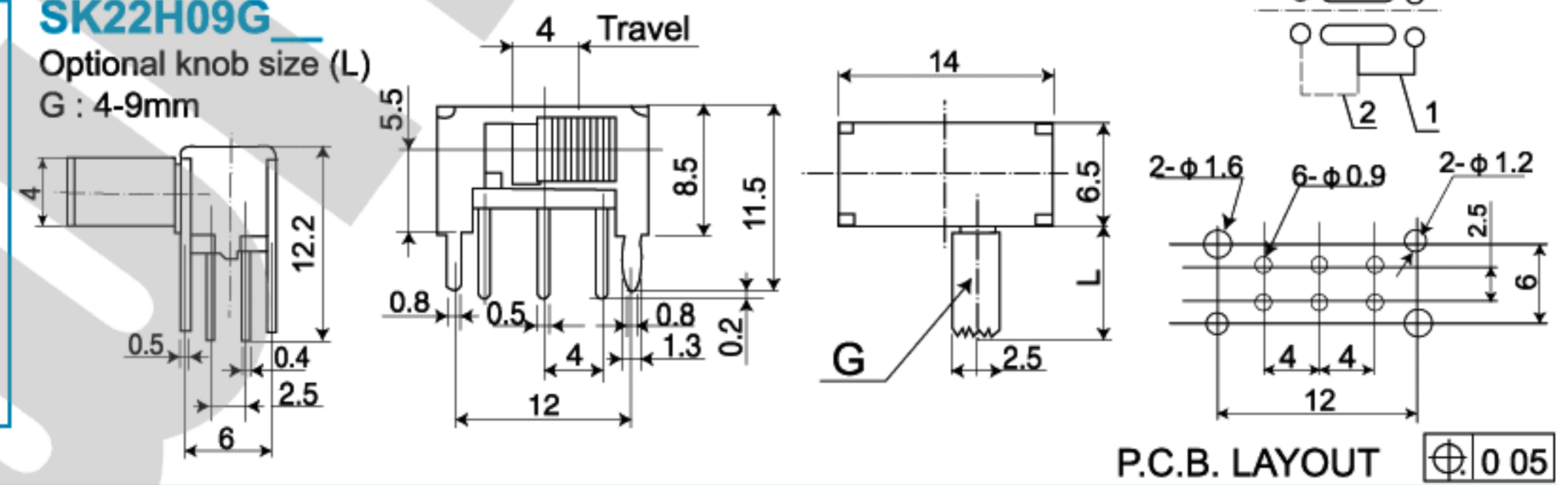
SK22F14G
Optional knob size (L)
G : 4-9mm



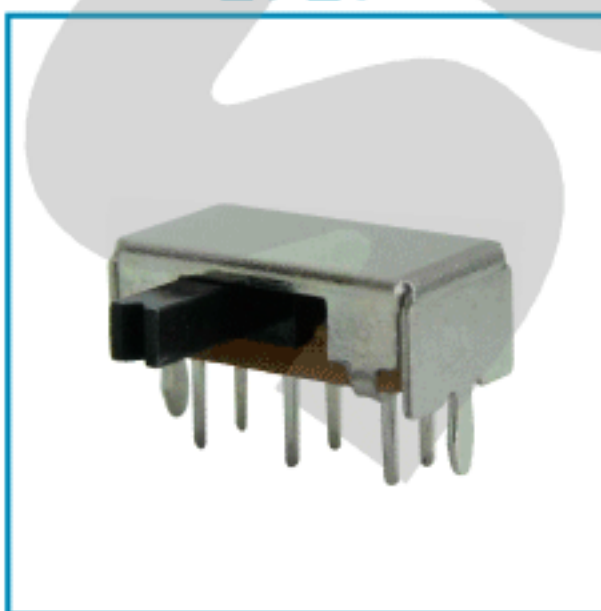
2P2T



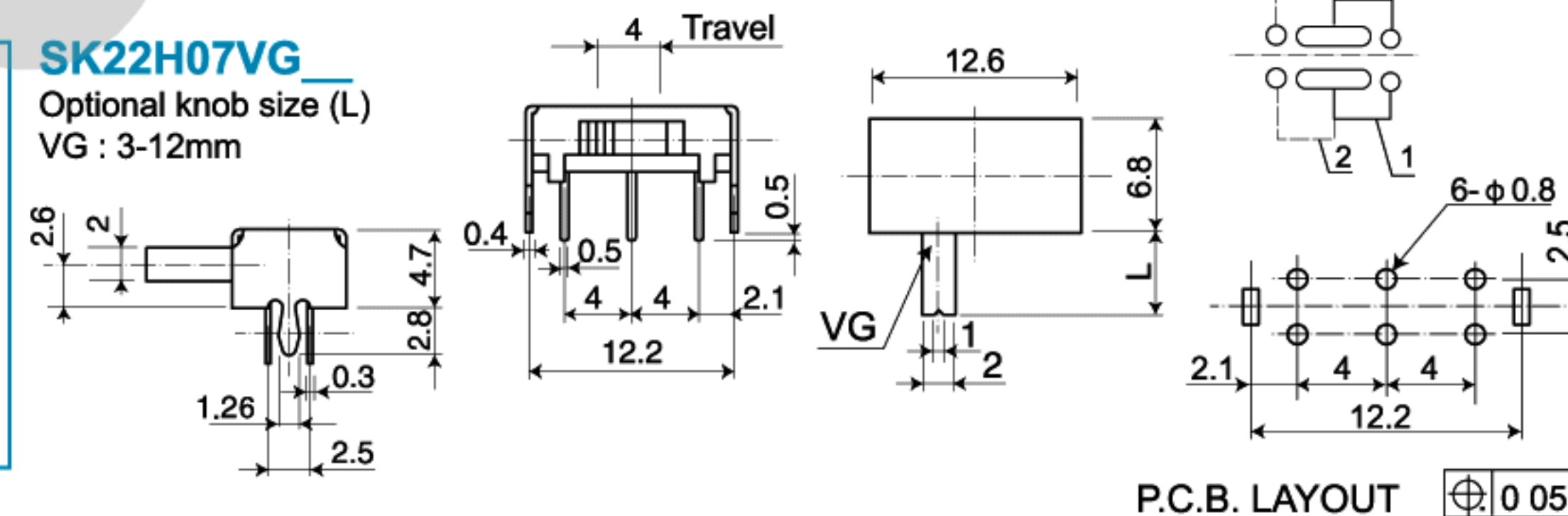
SK22H09G
Optional knob size (L)
G : 4-9mm



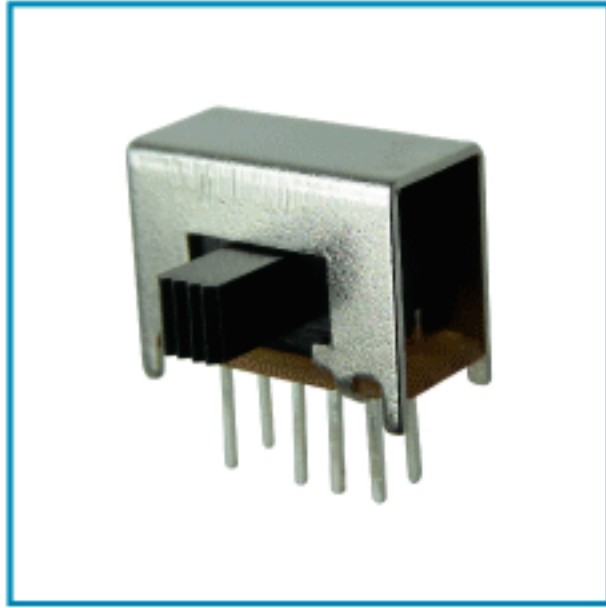
2P2T



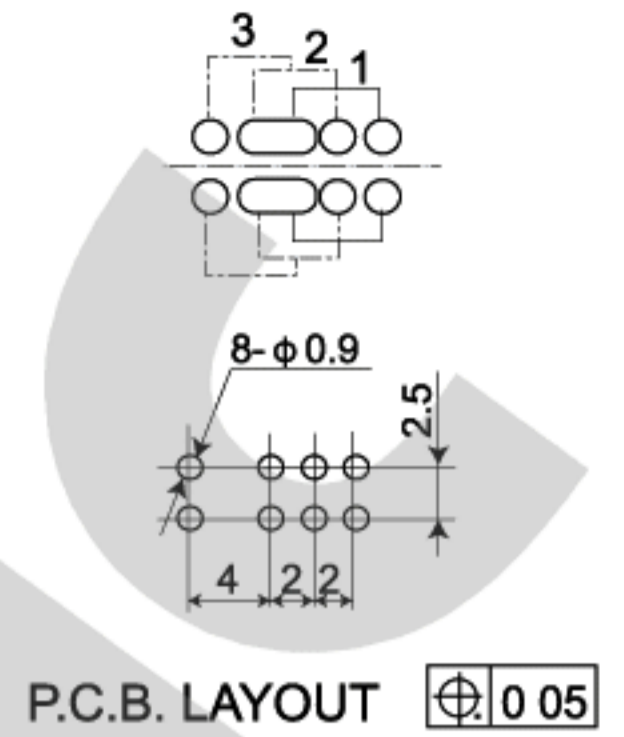
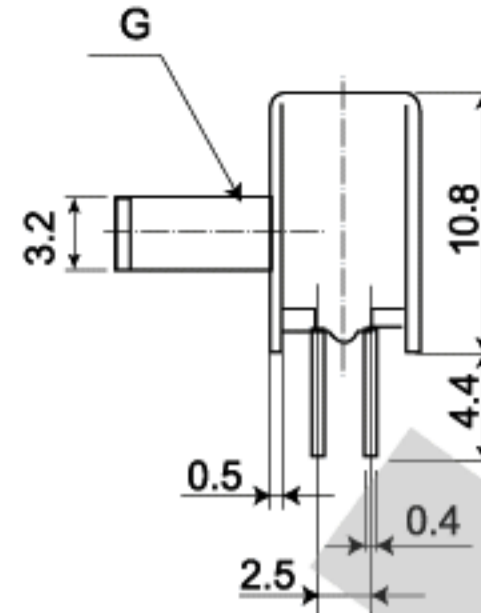
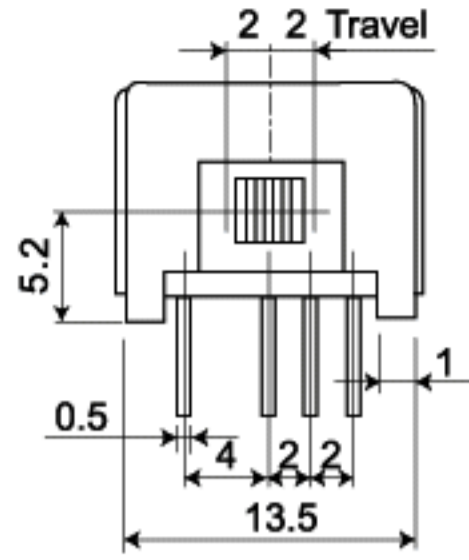
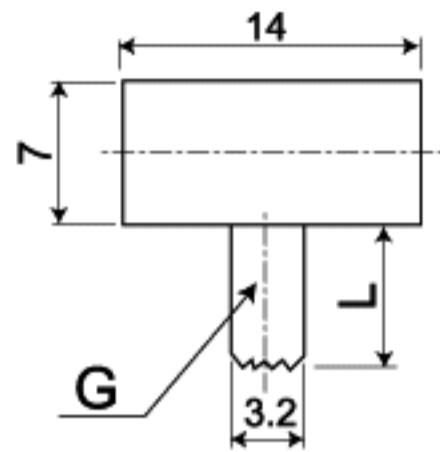
SK22H07VG
Optional knob size (L)
VG : 3-12mm



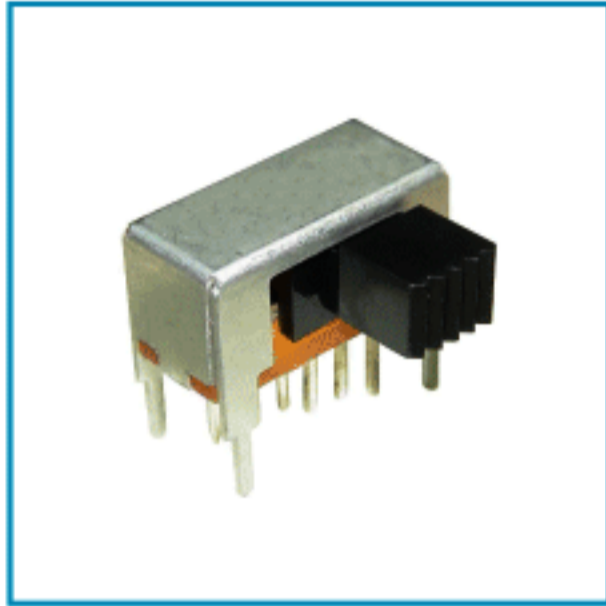
2P3T



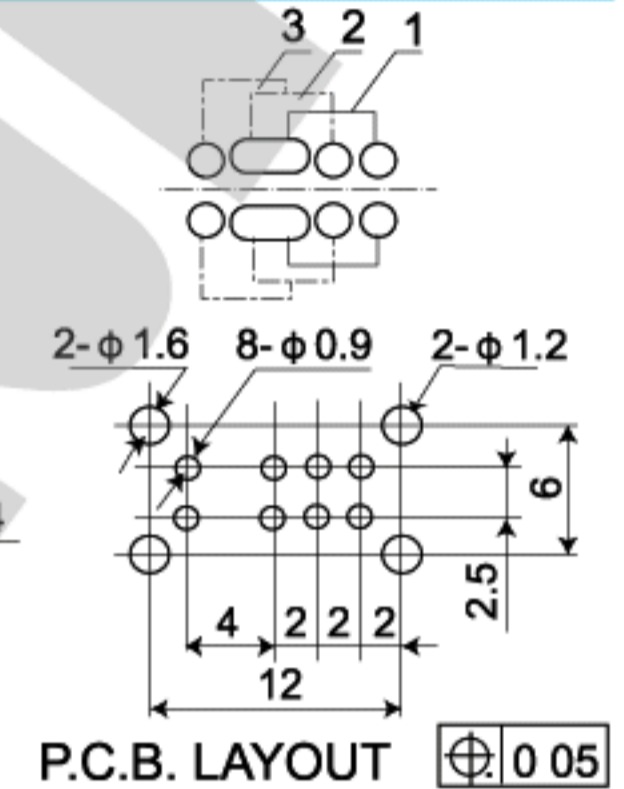
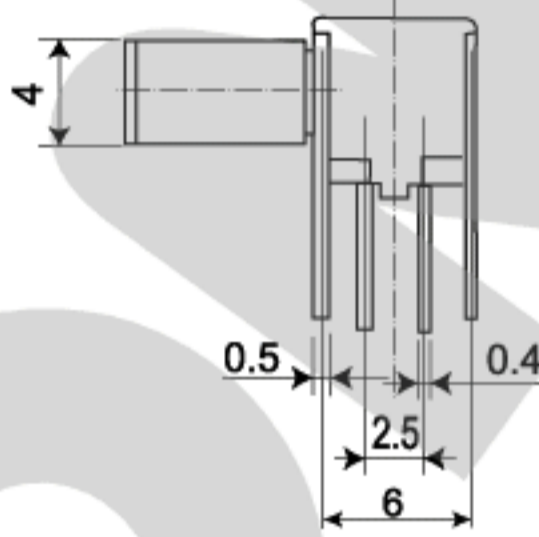
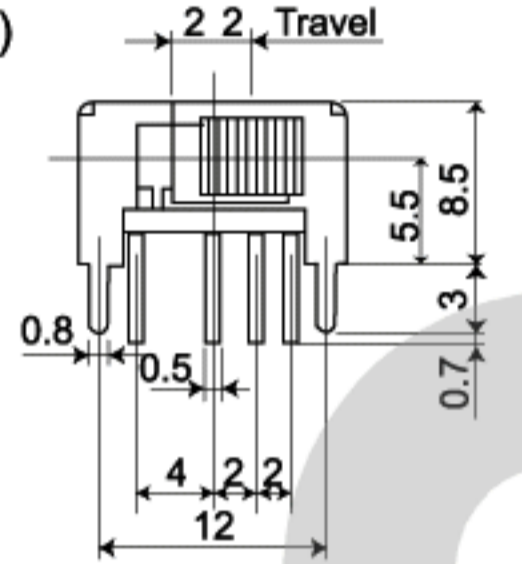
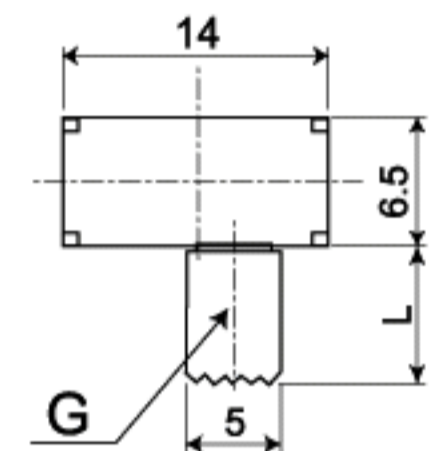
SK23D01G
Optional knob size (L)
G : 4-9mm



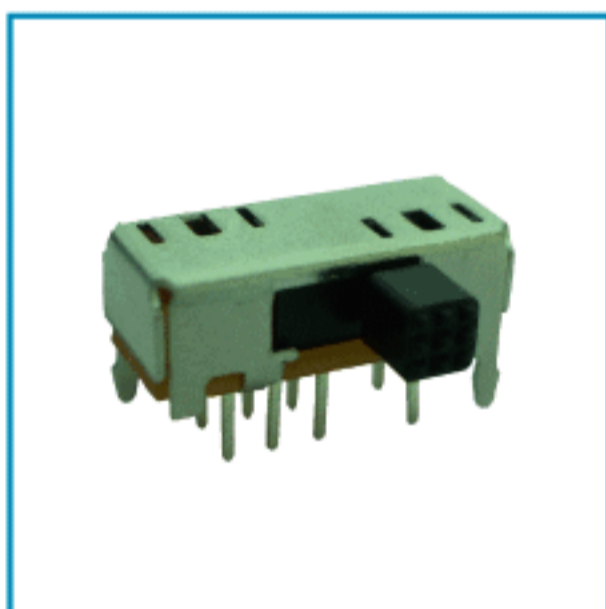
2P3T



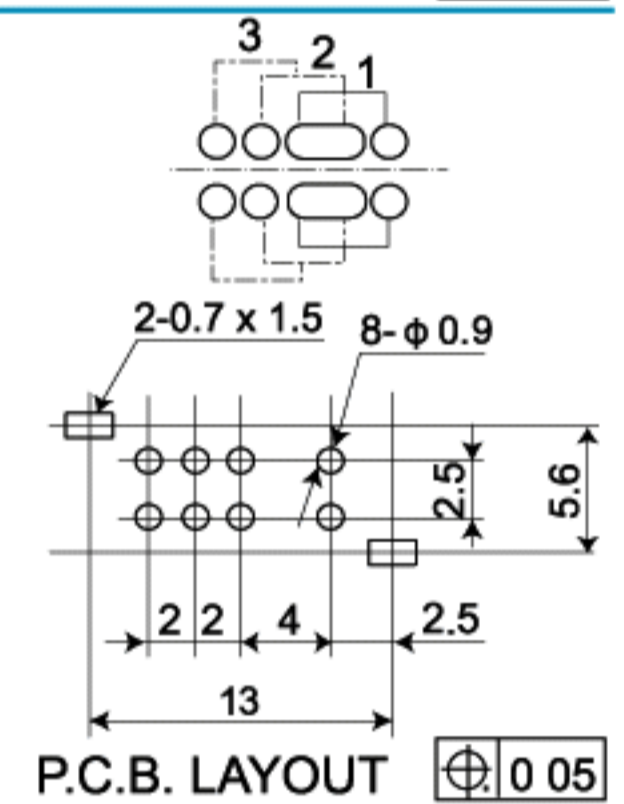
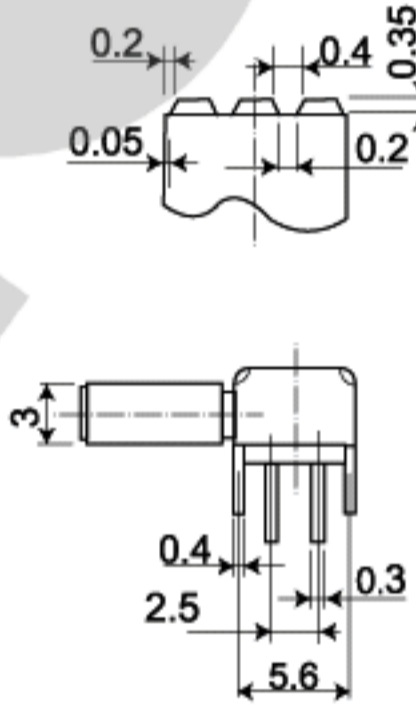
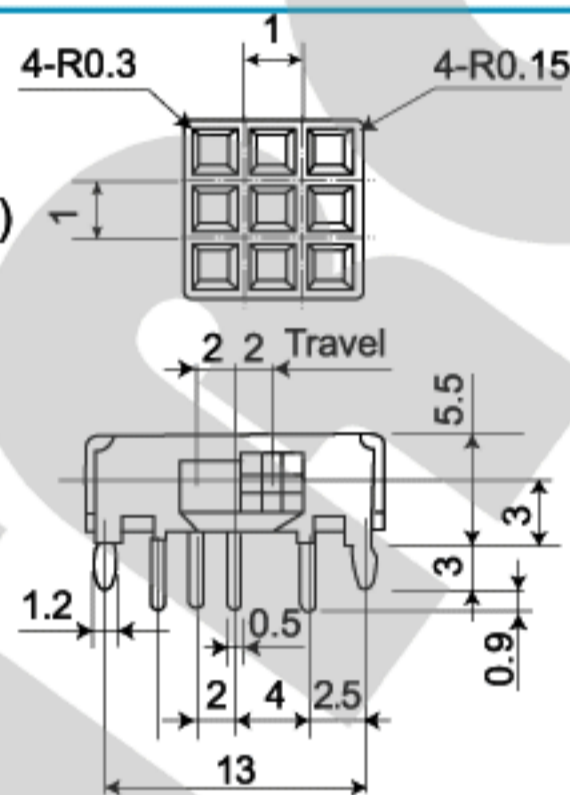
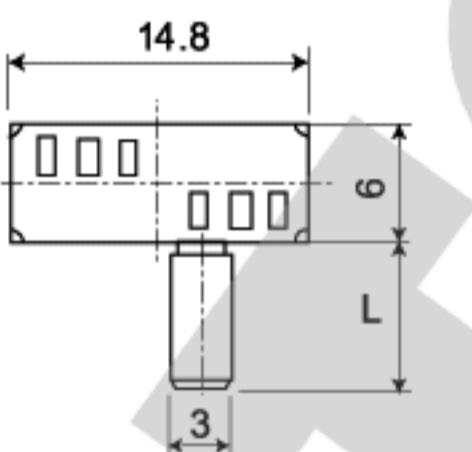
SK23D29G
Optional knob size (L)
G : 4-9mm



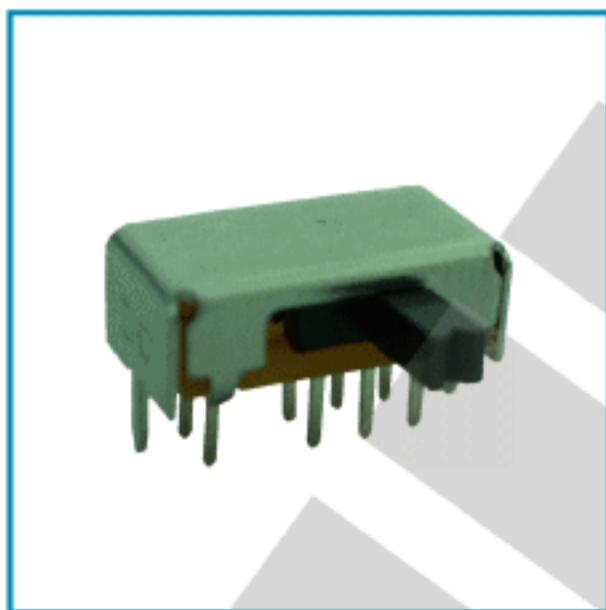
2P3T



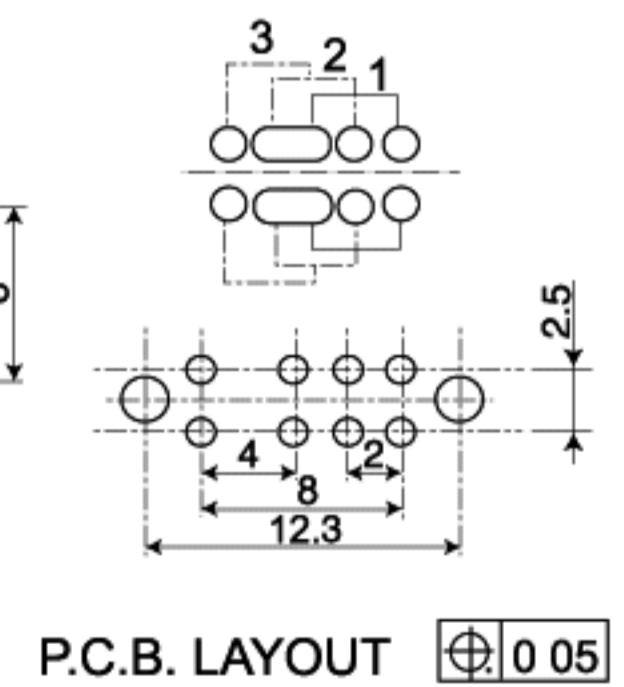
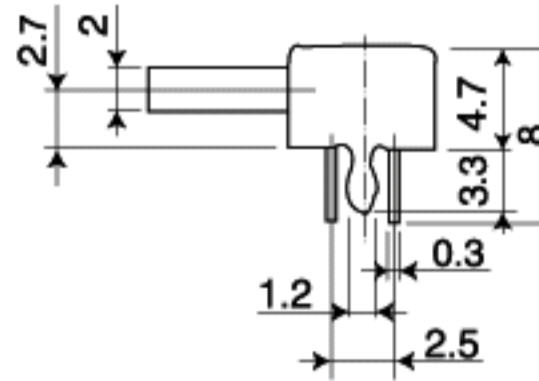
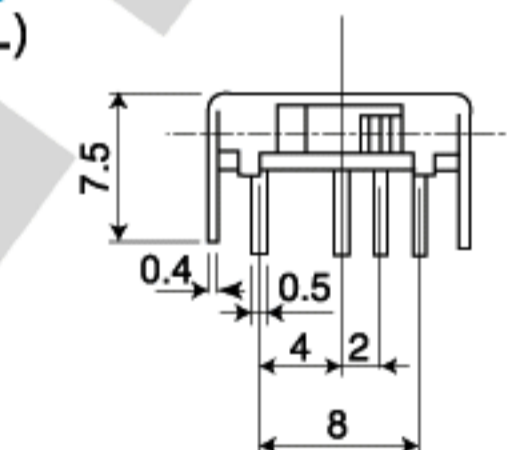
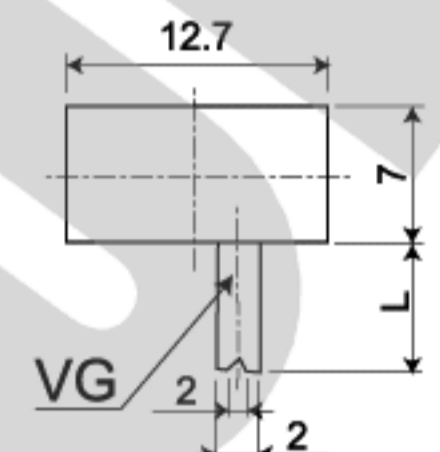
SK23D06PG
Optional knob size (L)
PG : 2-9mm



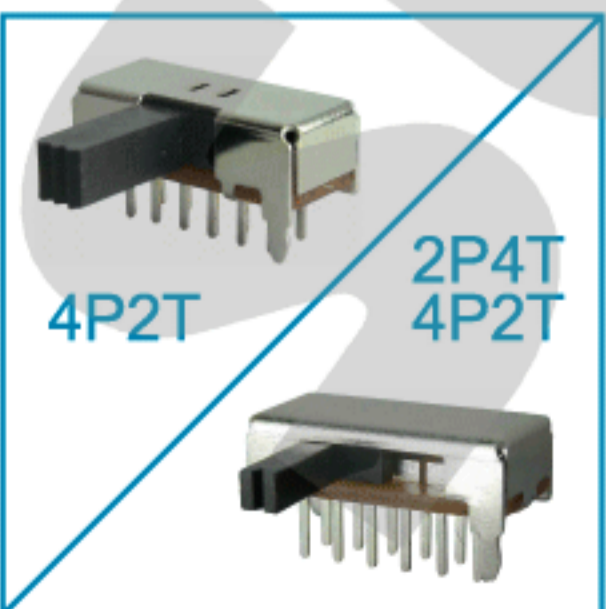
2P3T



SK23D07VG
Optional knob size (L)
VG : 3-12mm



SK42D01G

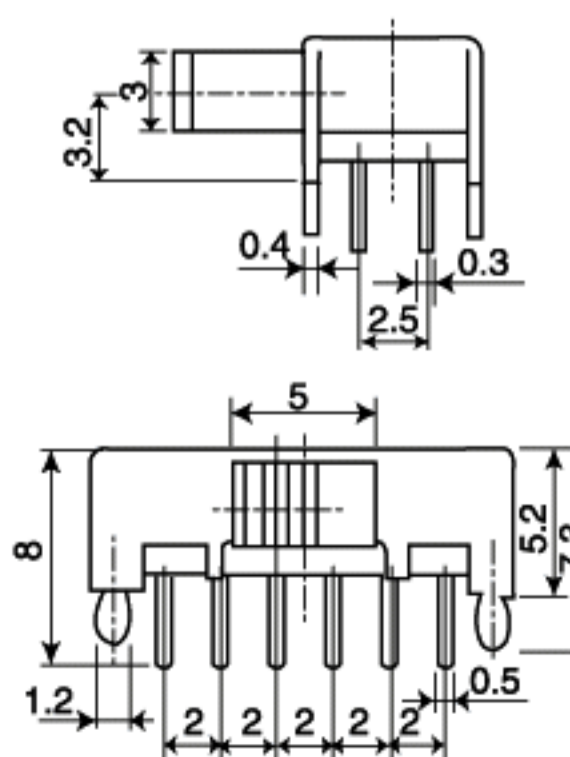
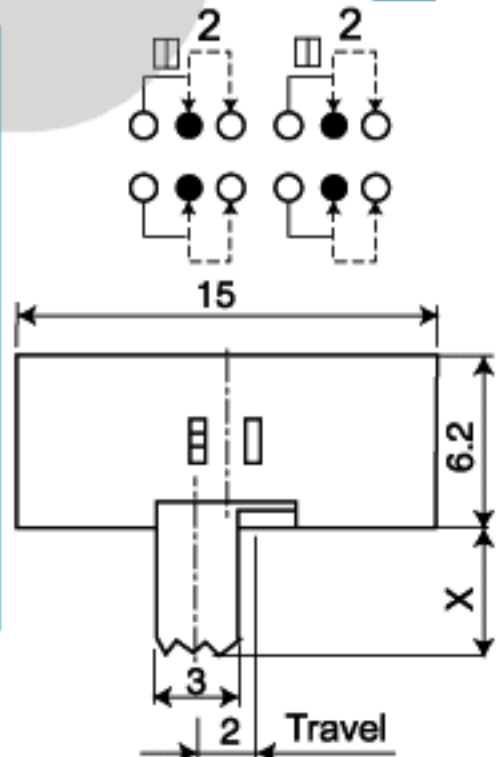


4P2T

2P4T
4P2T

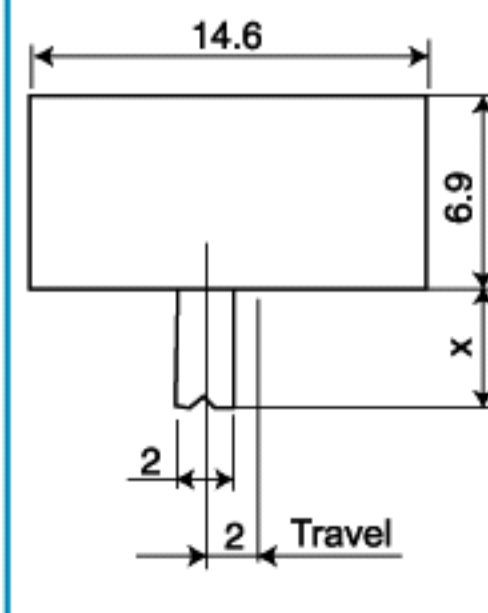
SK24D02VG
SK42D02VG

SK42D01G (4P2T) Knob: G (3x3)



SK42D02VG (4P2T)

Knob: G or VG (2x2)



SK24D02VG (2P4T)

