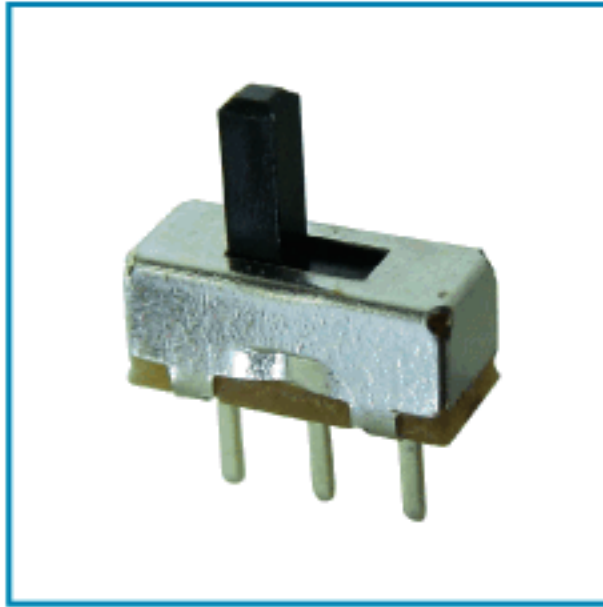


SS Series Slide Switches

SPECIFICATION:

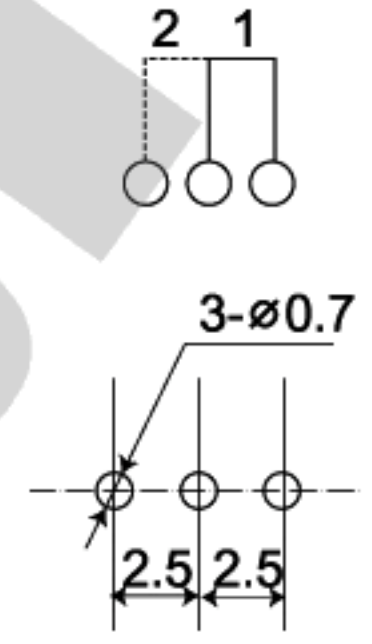
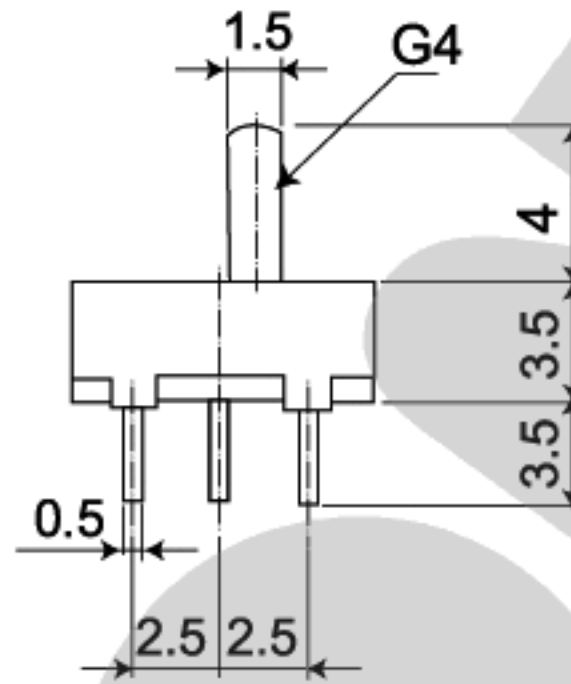
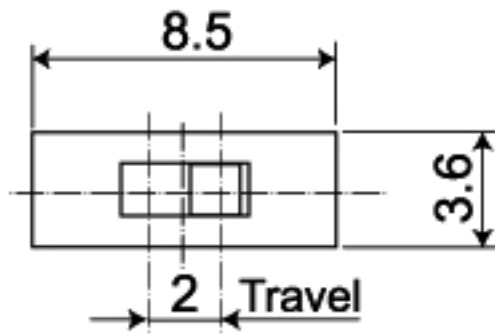
Rating	: 0.3A, 50V DC
Contact resistance	: 30mΩ. (initial)
Insulation resistance	: 100MΩ at 500V DC
Withstand voltage	: 500V AC for 1 minute
Mechanical life	: 10,000 Cycles (unloading/15-18 Cycles per minute)

1P2T



SS12D01G4

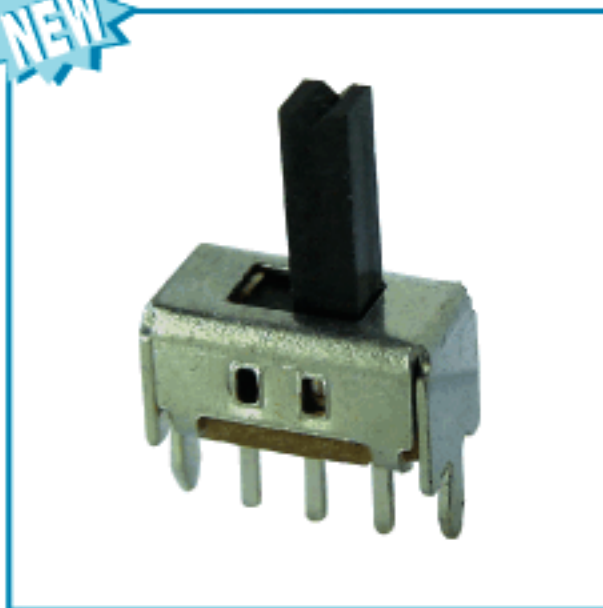
Optional knob 0size (L)
G : 2 - 7mm



P.C.B. LAYOUT $\oplus 0.05$

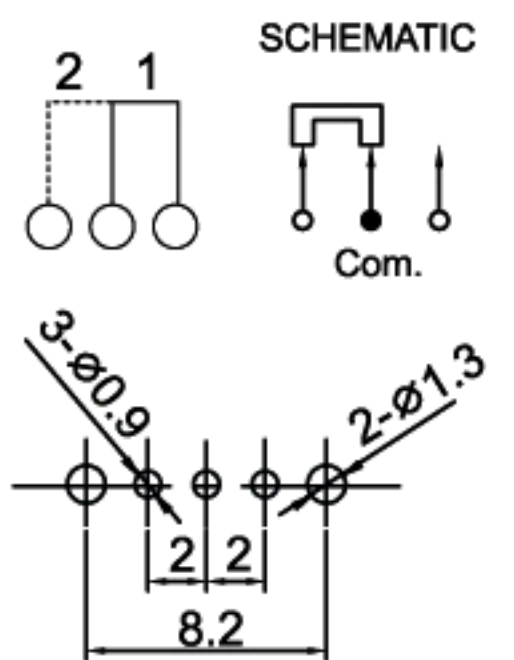
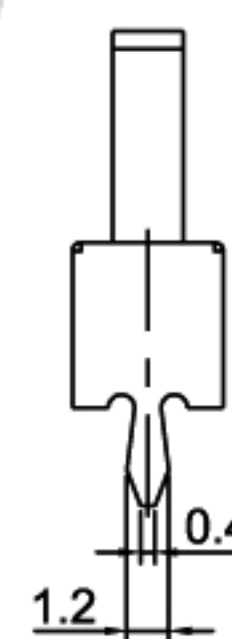
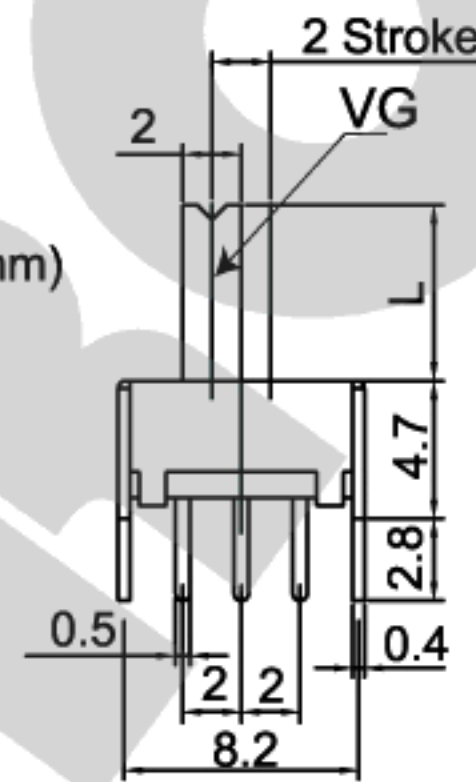
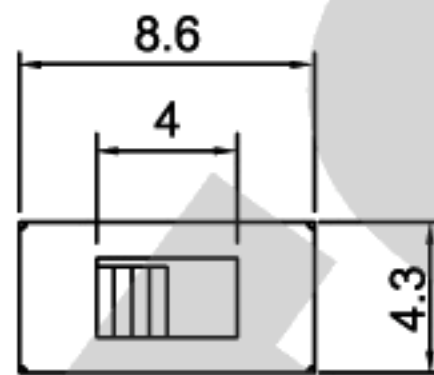


1P2T



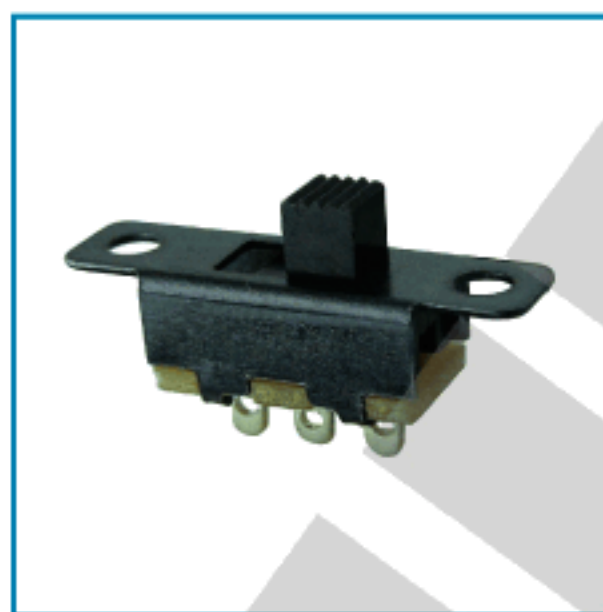
SS12D07VG

Optional knob size (L)
VG : 2 - 6mm (standard : 2, 4, 6mm)



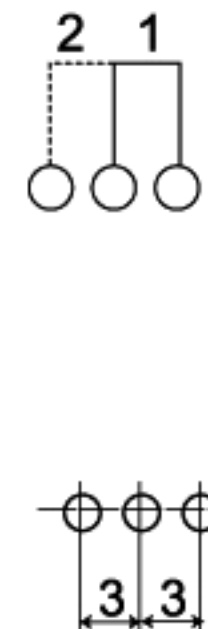
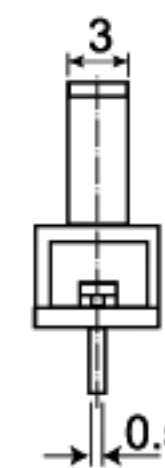
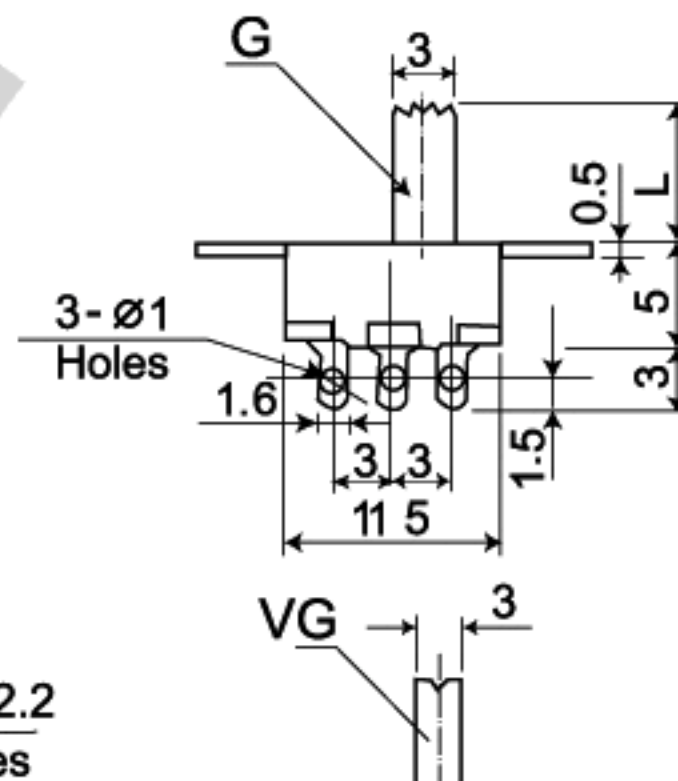
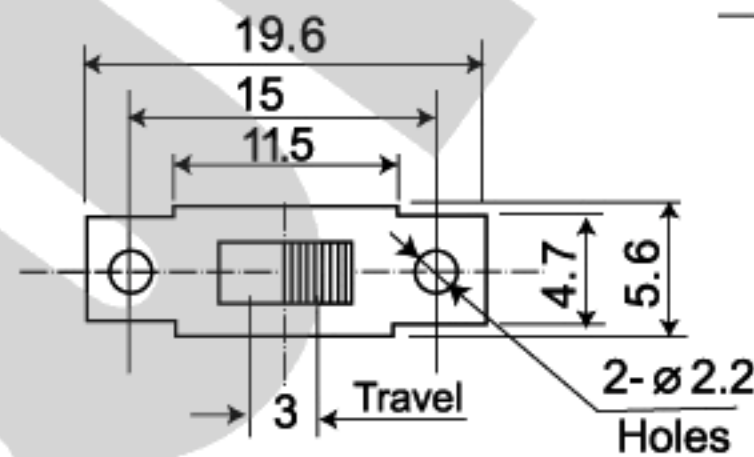
P.C.B. LAYOUT

1P2T



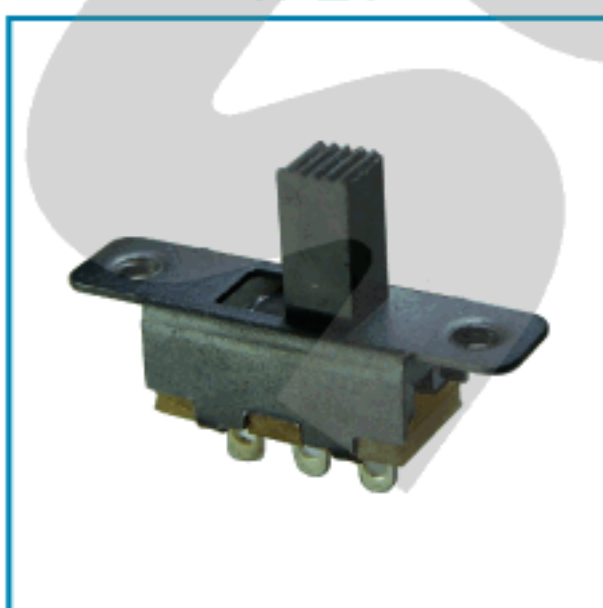
SS12F15G

Optional knob size (L)
G : 2-11mm



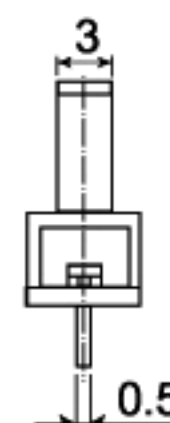
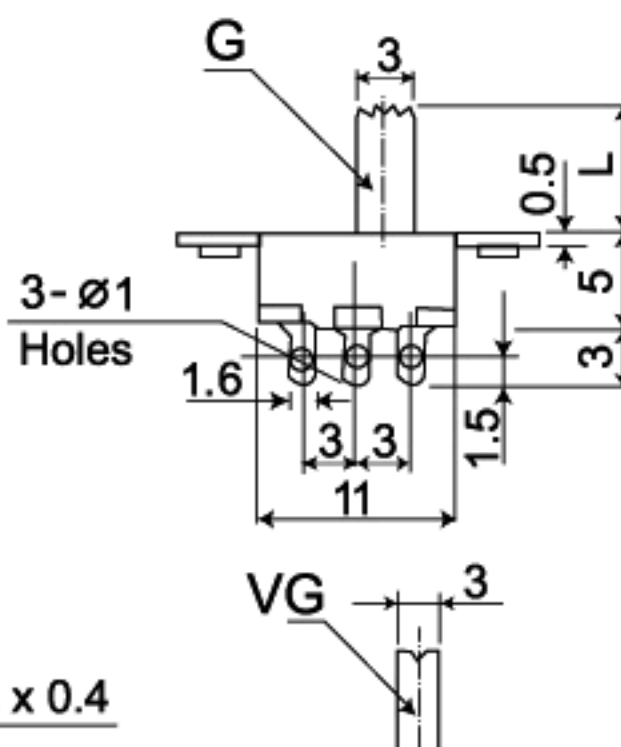
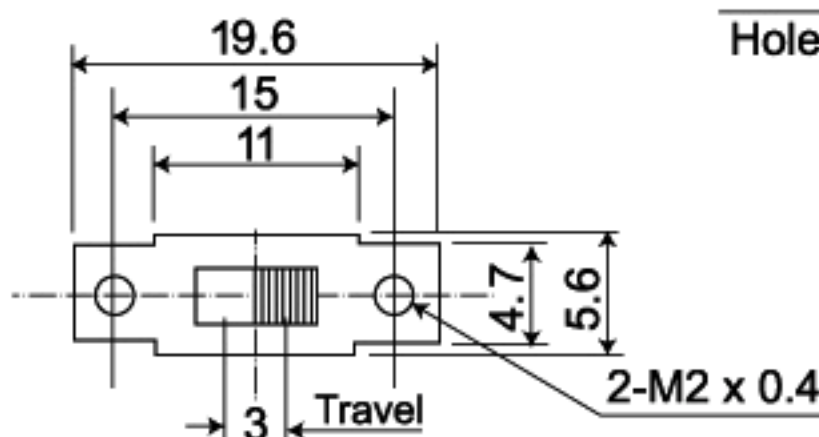
P.C.B. LAYOUT $\oplus 0.05$

1P2T

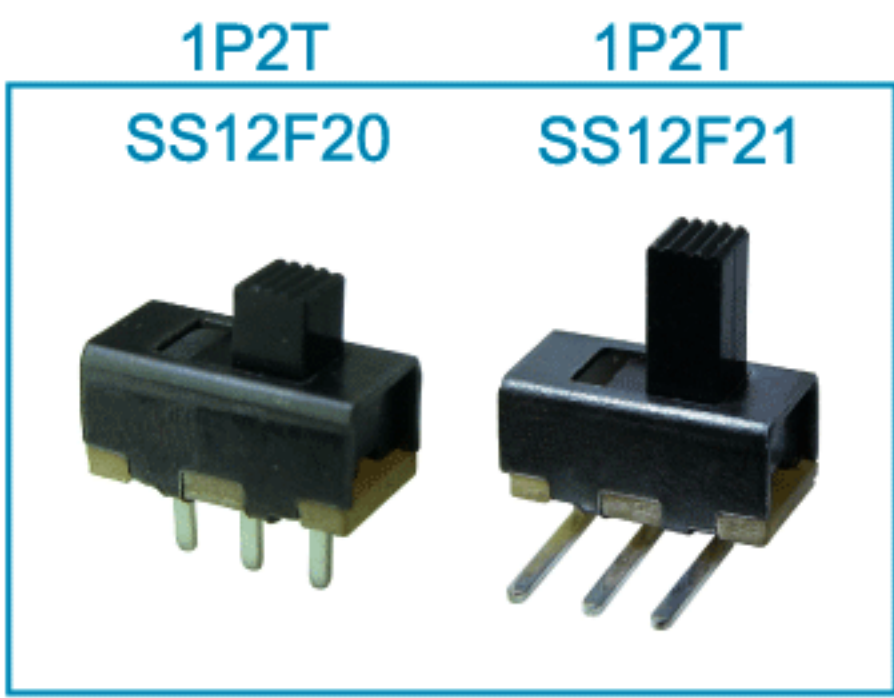


SS12F16G

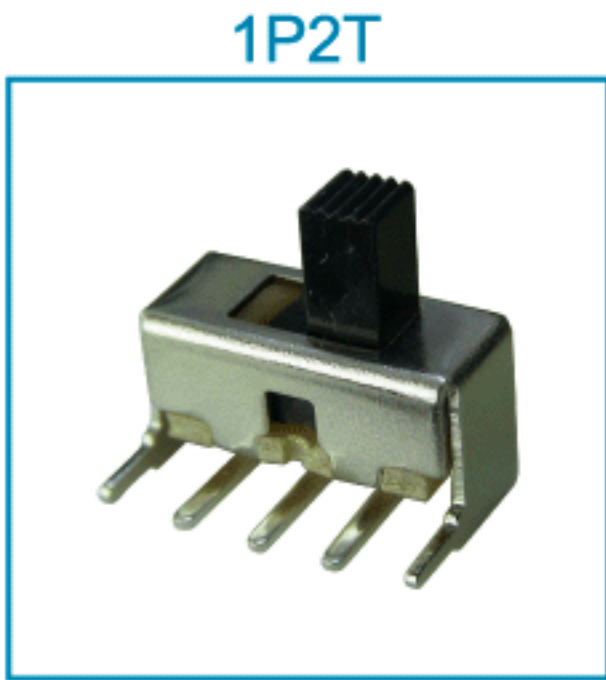
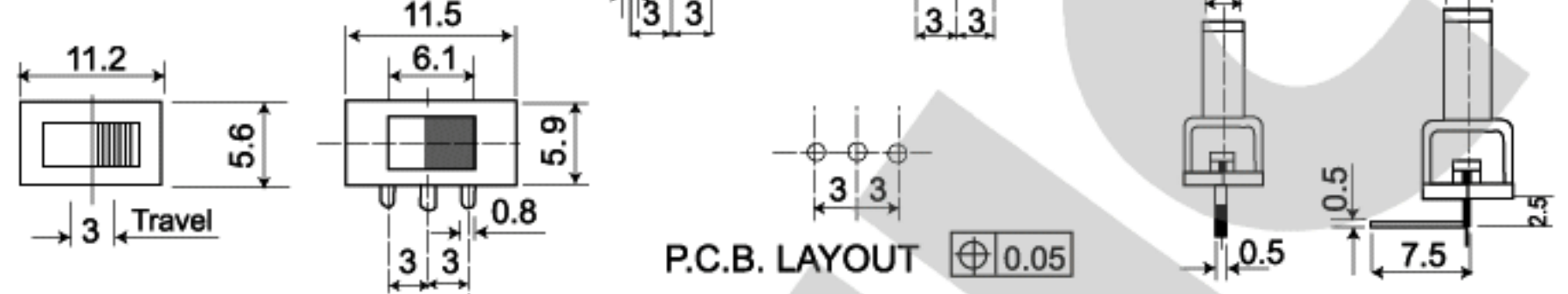
Optional knob size (L)
G : 3-12mm
VG : 3-12mm



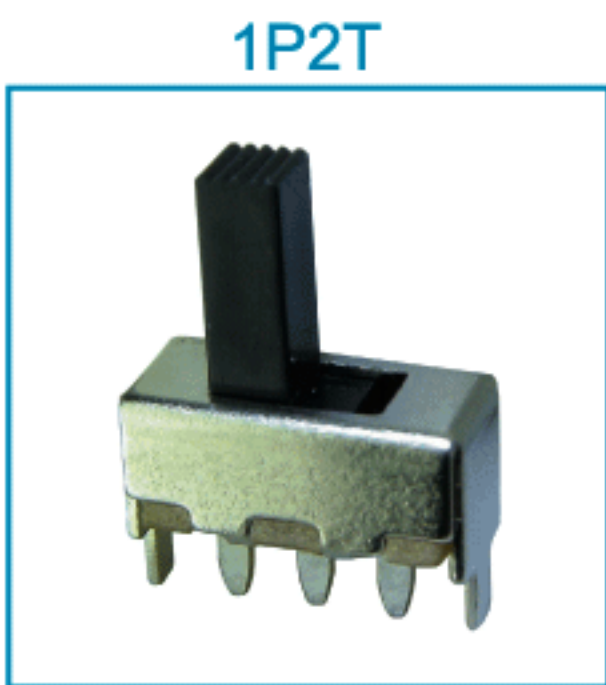
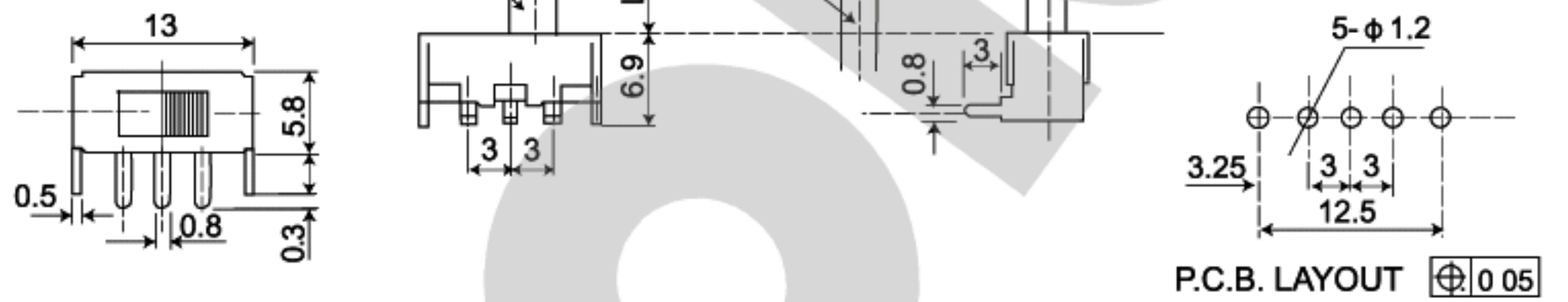
P.C.B. LAYOUT $\oplus 0.05$



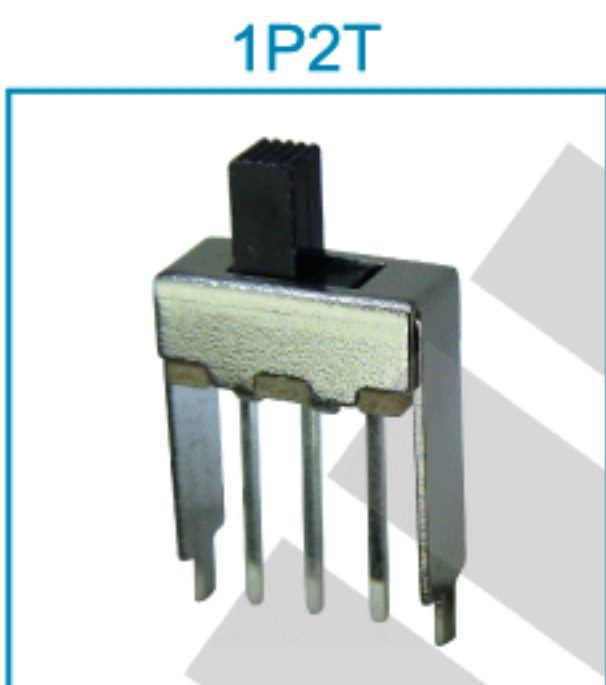
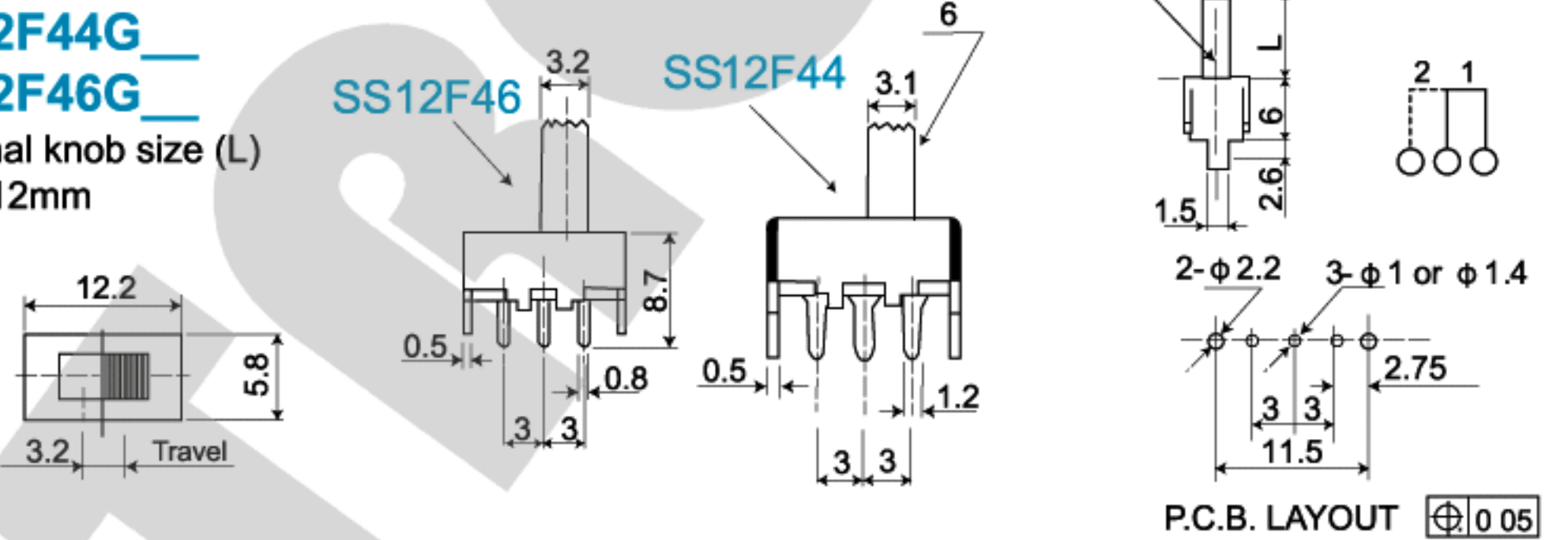
SS12F20G__ (VG__)
SS12F21G__ (VG__)
 Optional knob size (L)
 G : 2-10mm
 VG : 2-10mm



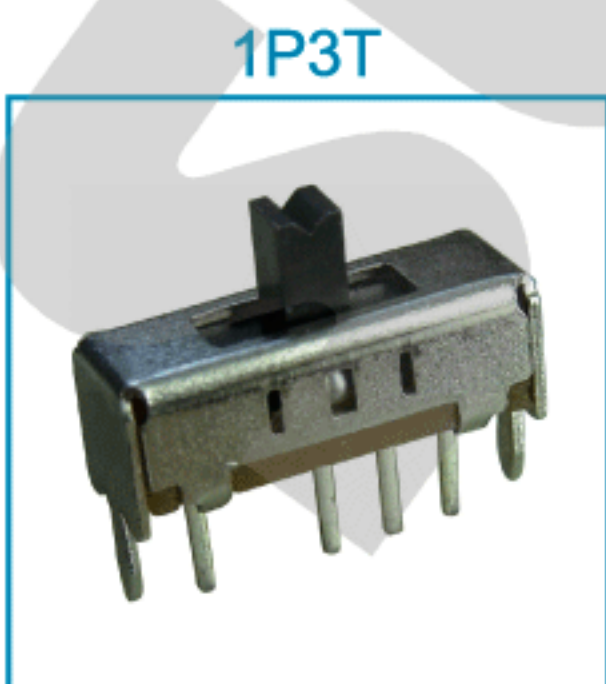
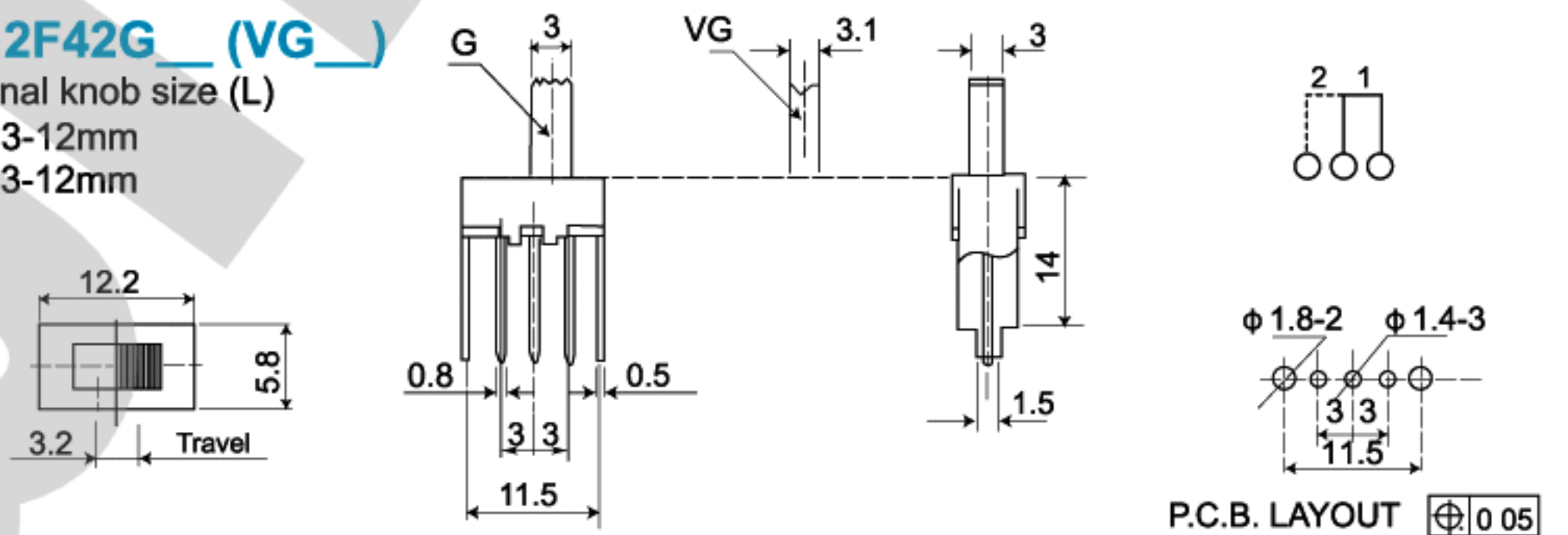
SS12F23EG__ (VG__)
 Optional knob size (L)
 G : 3-12mm
 VG : 3-12mm



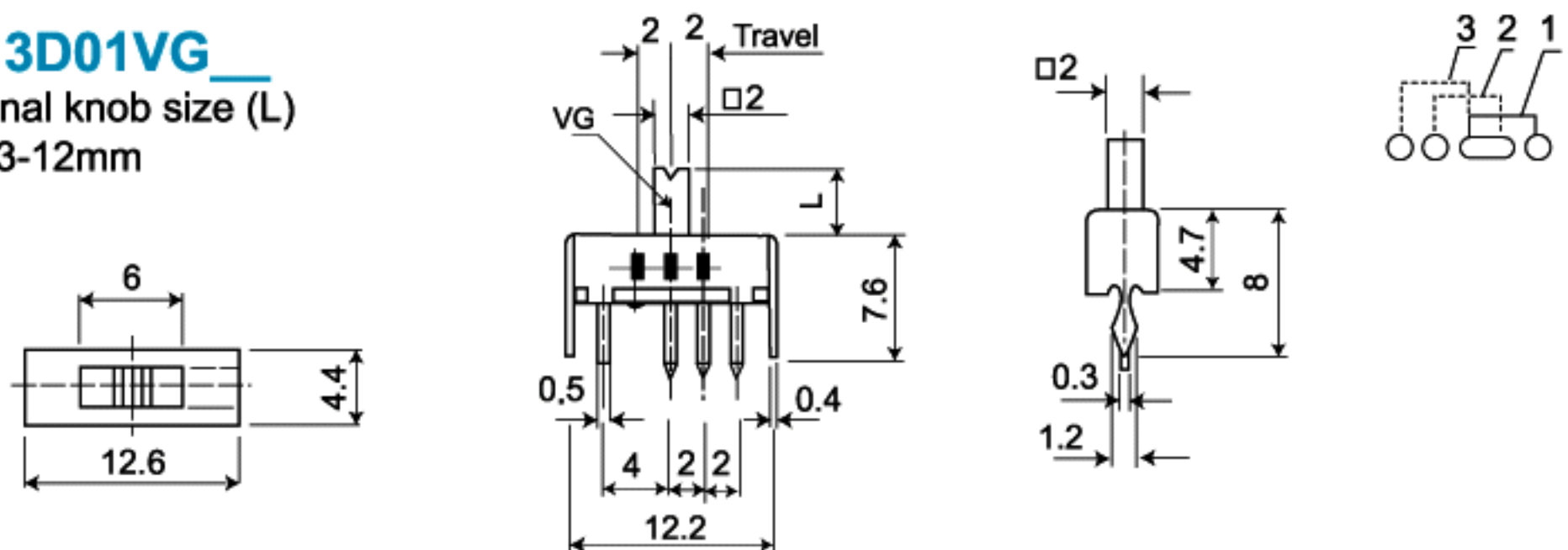
SS12F44G__
SS12F46G__
 Optional knob size (L)
 G : 3-12mm



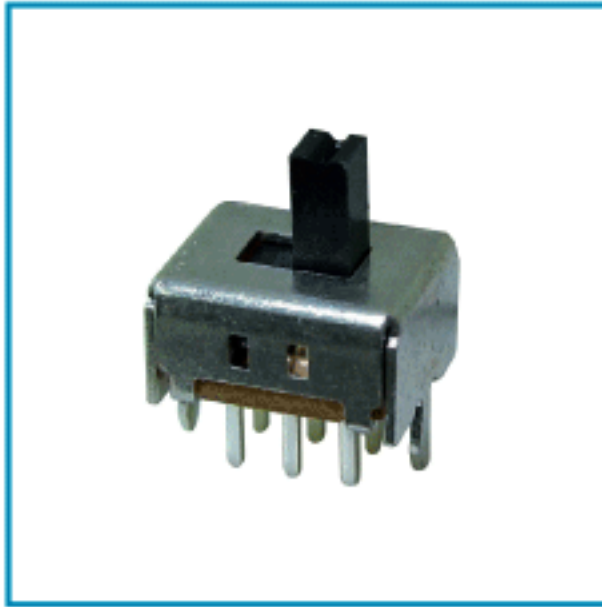
SS12F42G__ (VG__)
 Optional knob size (L)
 G : 3-12mm
 VG : 3-12mm



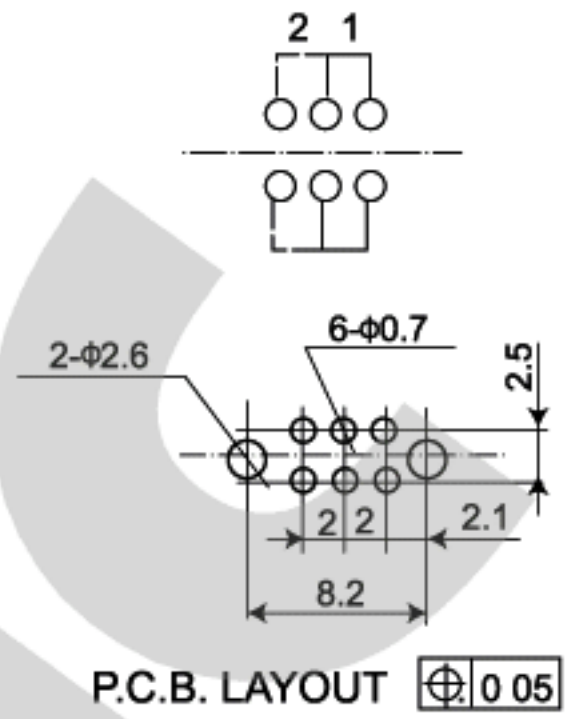
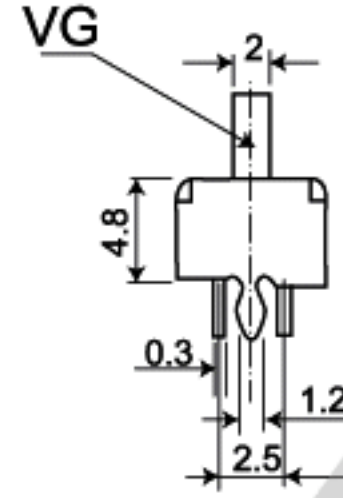
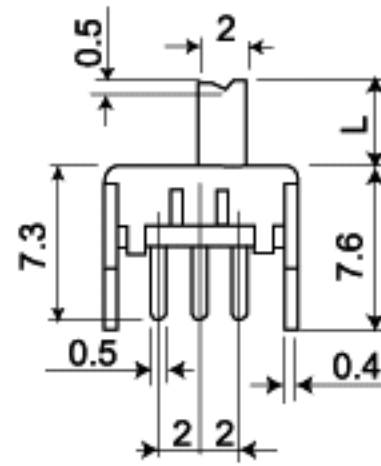
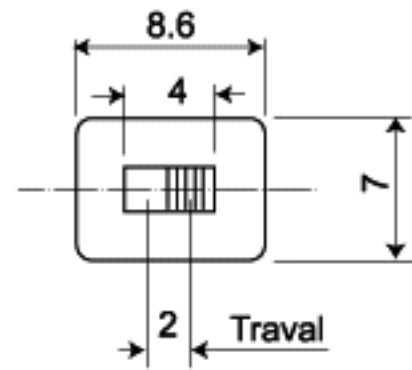
SS13D01VG__
 Optional knob size (L)
 VG : 3-12mm



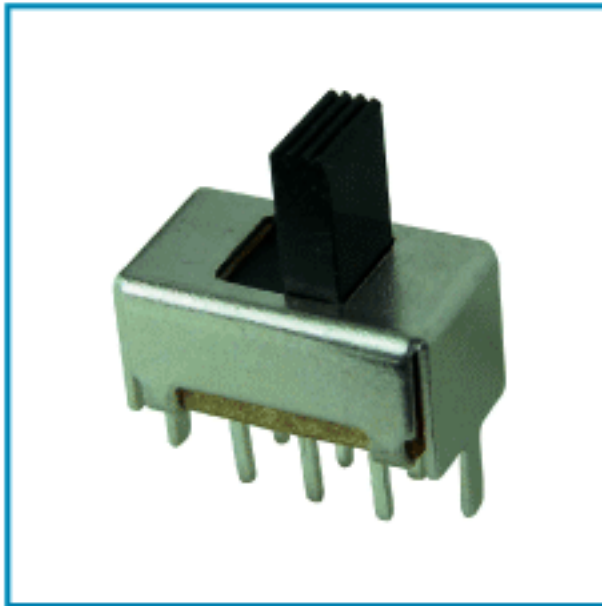
2P2T



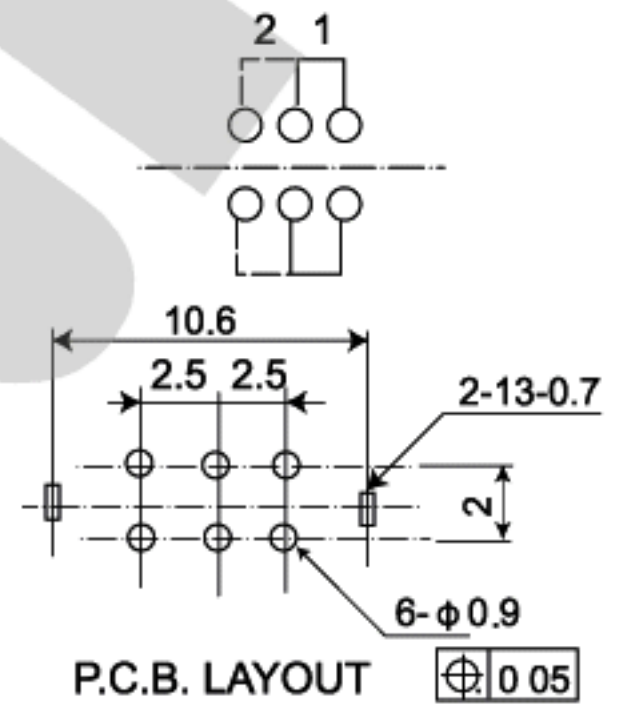
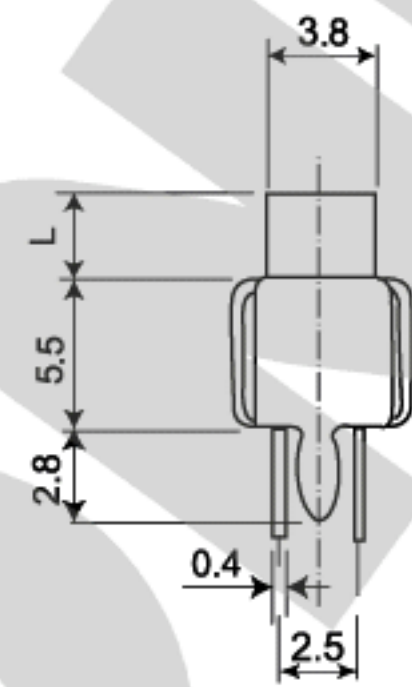
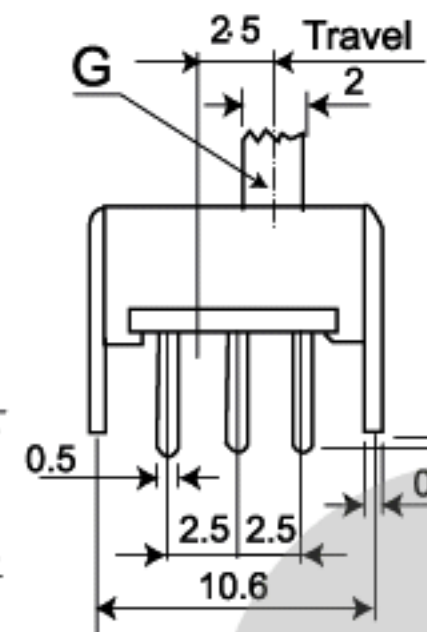
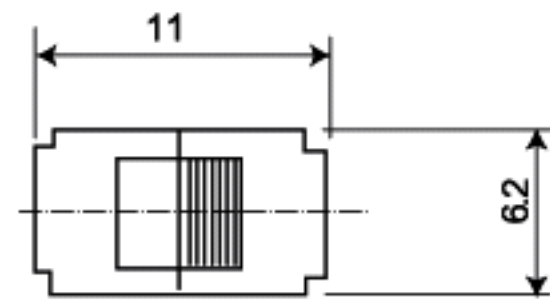
SS22D03VG
Optional knob size (L)
VG : 3-12mm



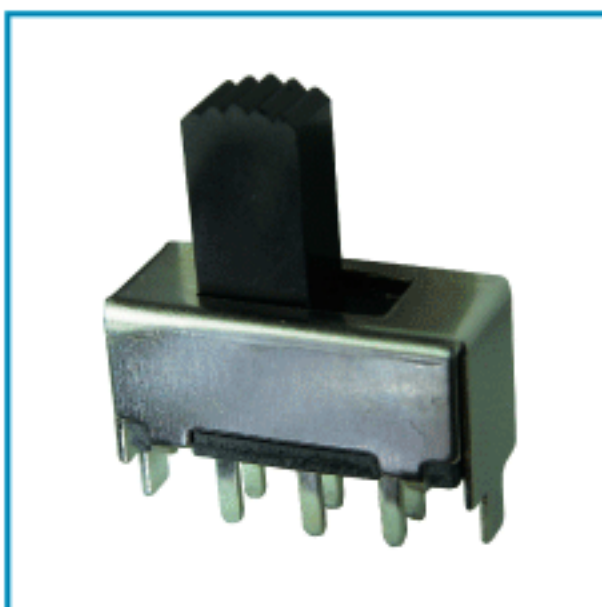
2P2T



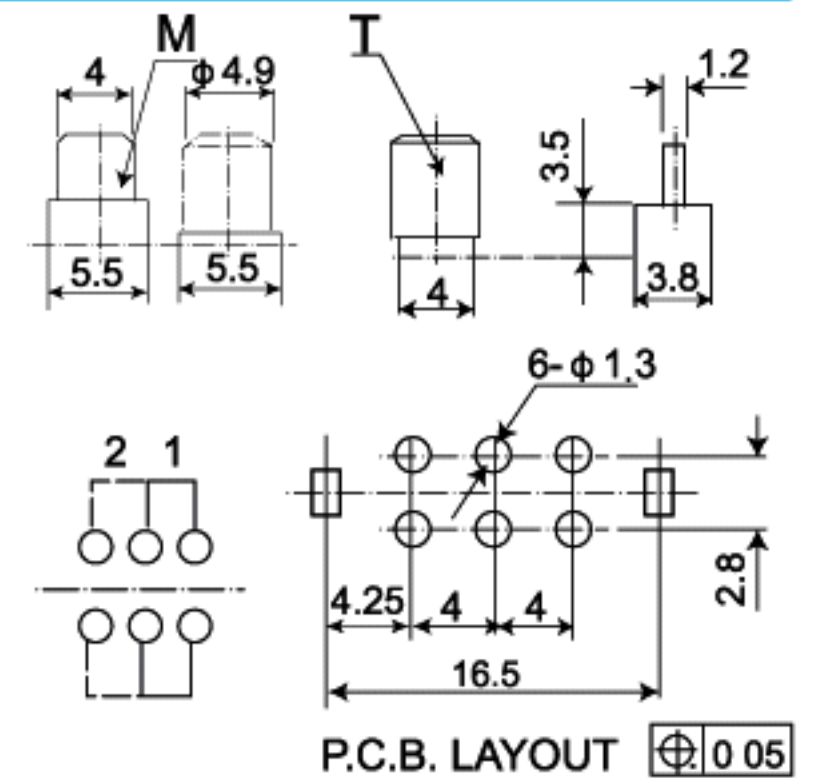
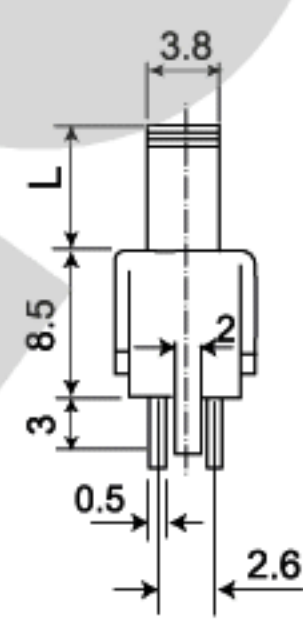
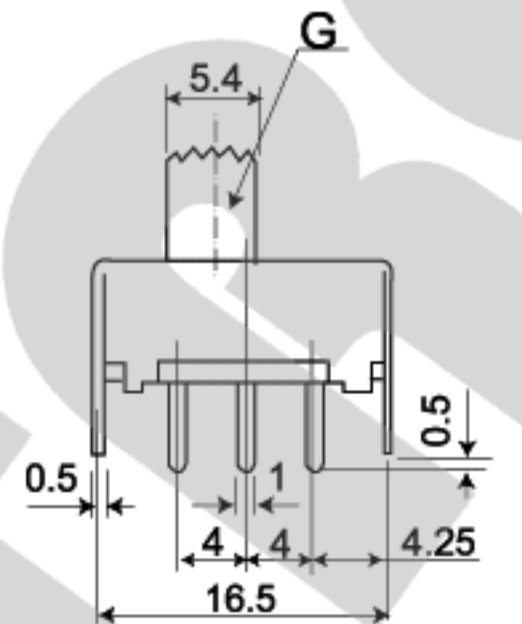
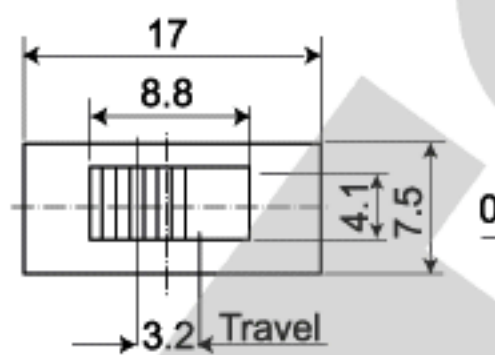
SS22E01G
Optional knob size (L)
G : 2-9mm



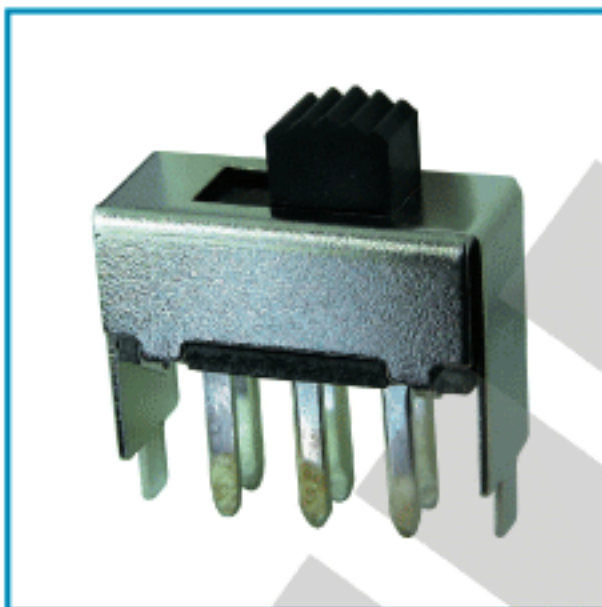
2P2T



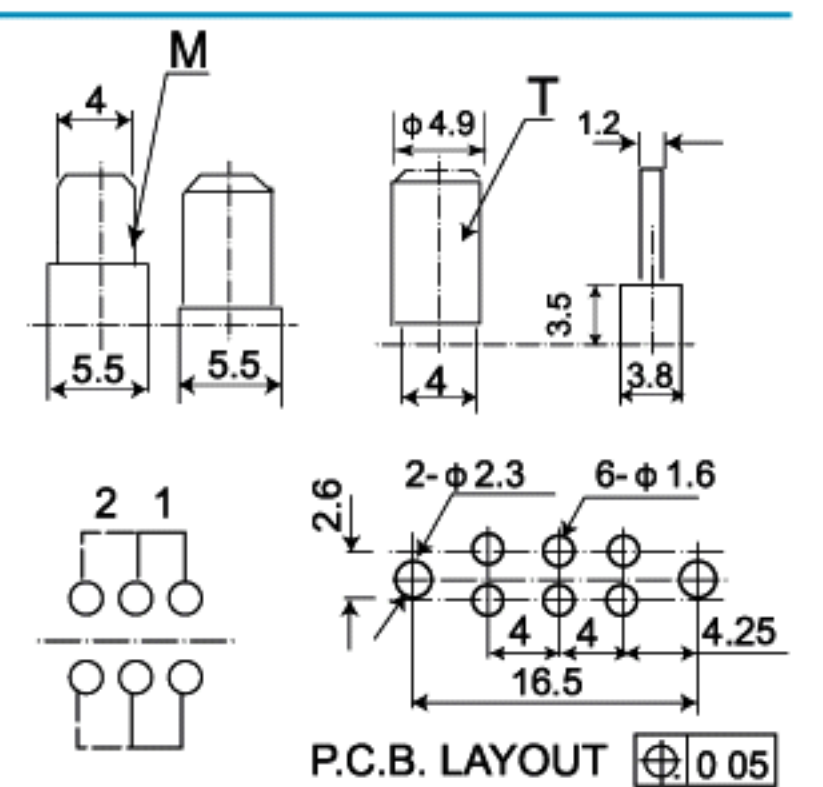
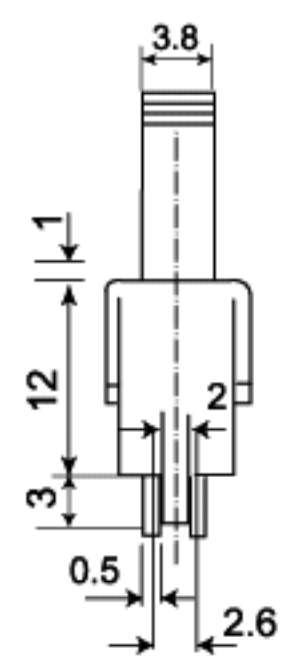
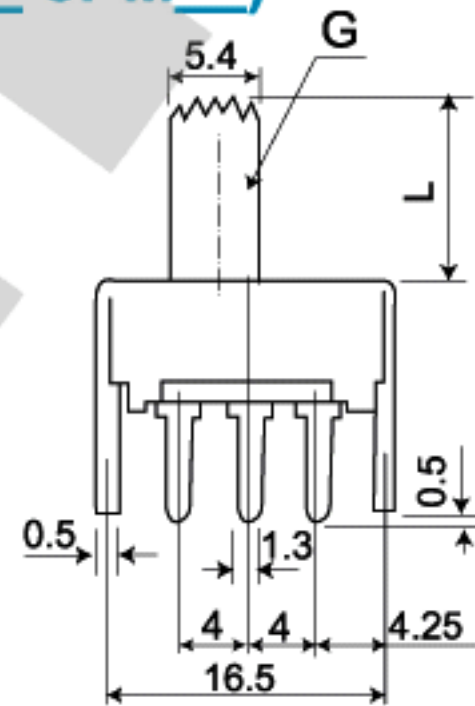
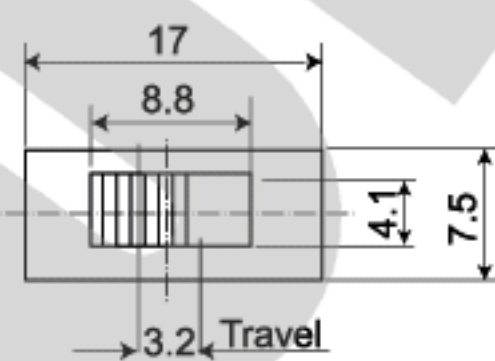
SS22F07G (T or M)
Optional knob size (L)
G : 4-18mm
T : 4-18mm
M : 7-16mm



2P2T



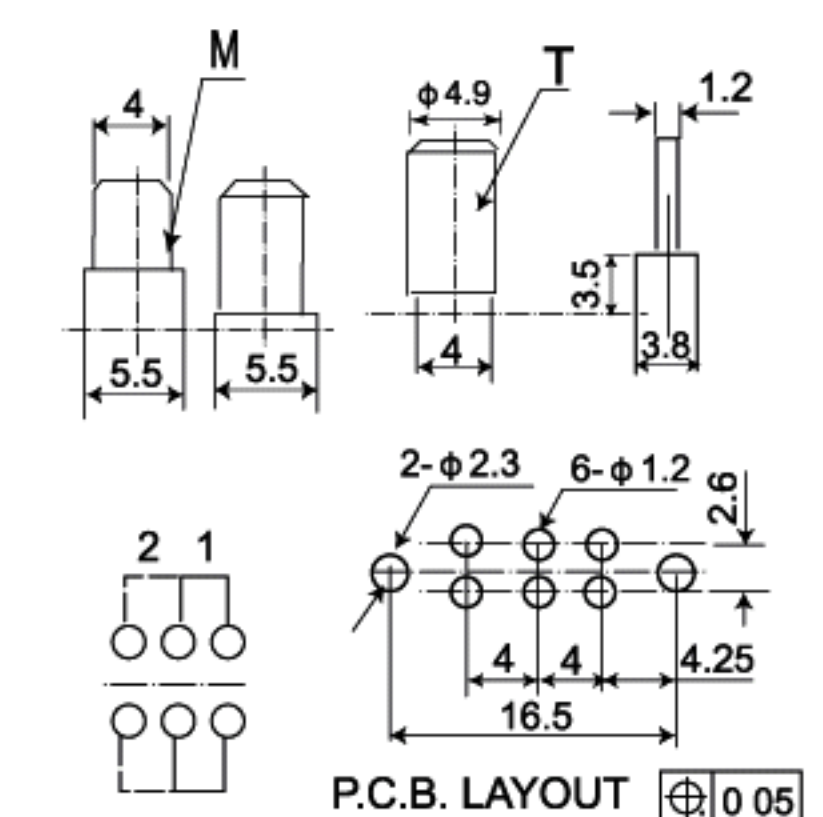
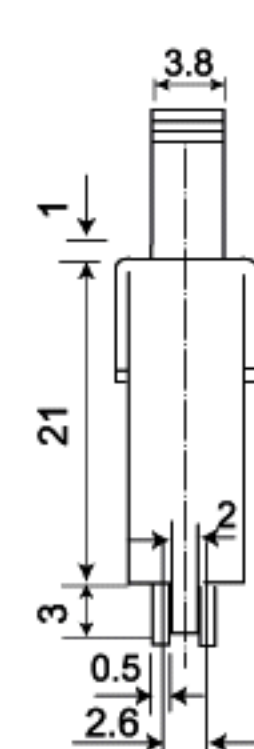
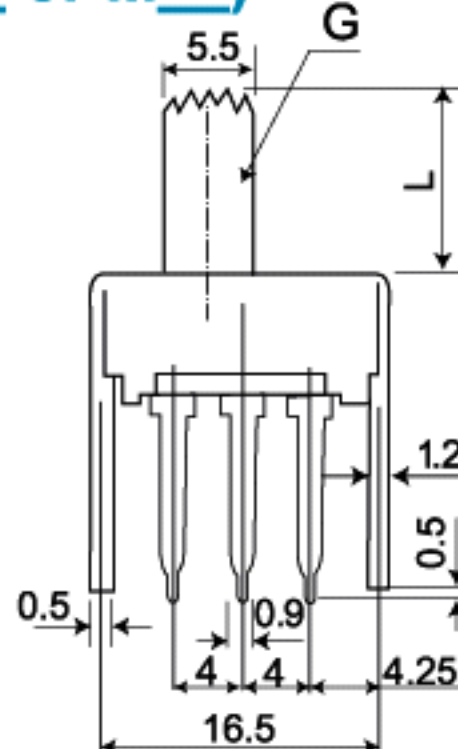
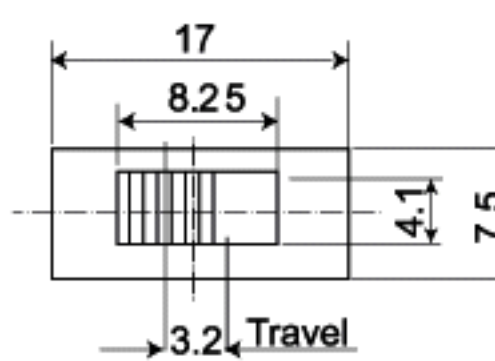
SS22F48G (T or M)
Optional knob size (L)
G : 4-18mm
T : 4-18mm
M : 7-16mm



2P2T



SS22F51G (T or M)
Optional knob size (L)
G : 4-18mm
T : 4-18mm
M : 7-16mm

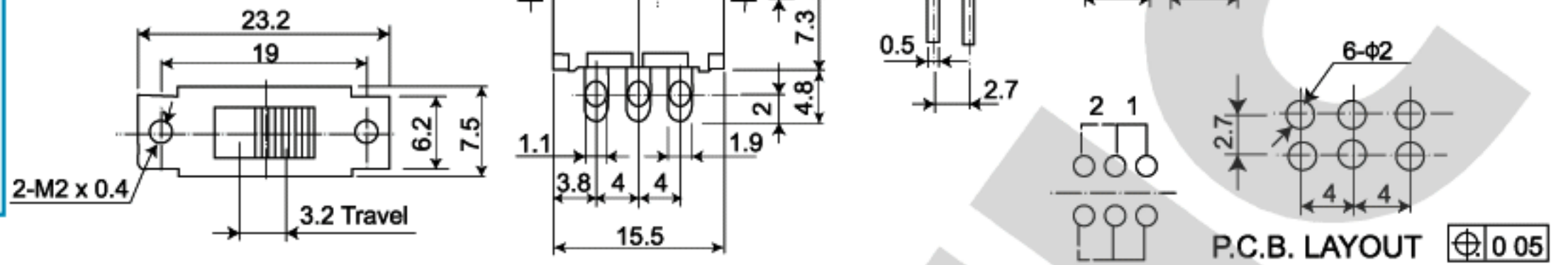


2P2T



SS22F25G__ (T__ or M__)

Optional knob size (L)
 G : 4-18mm
 T : 4-18mm
 M : 7-16mm

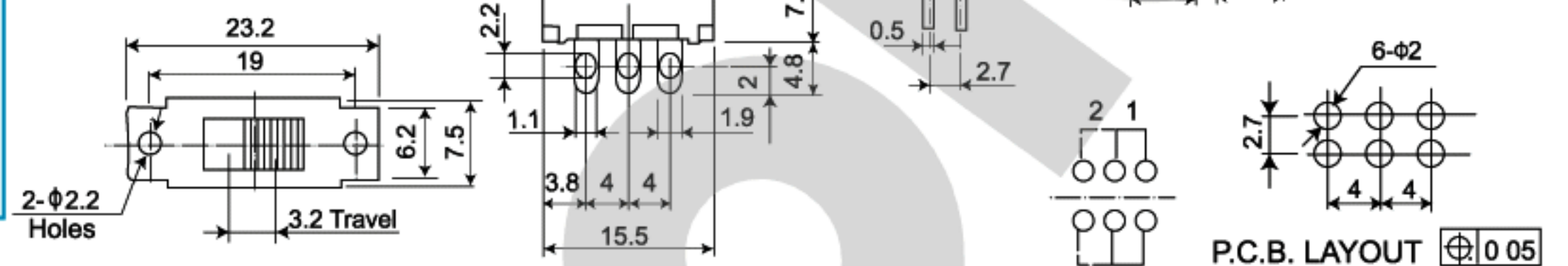


2P2T

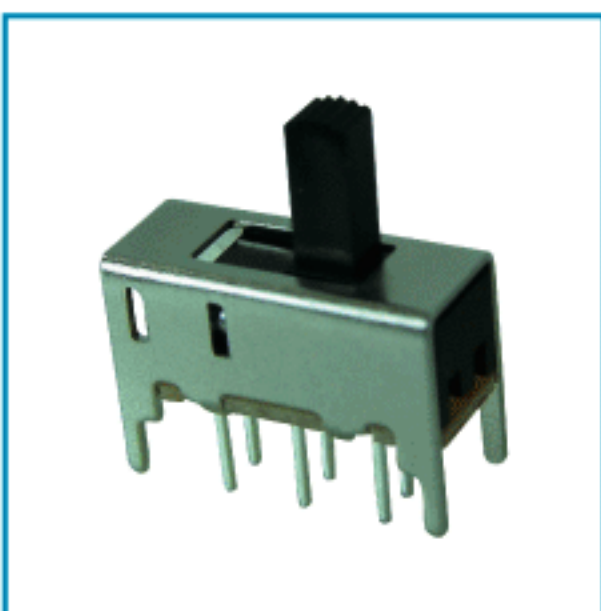


SS22F32G__ (T__ or M__)

Optional knob size (L)
 G : 4-18mm
 T : 4-18mm
 M : 7-16mm

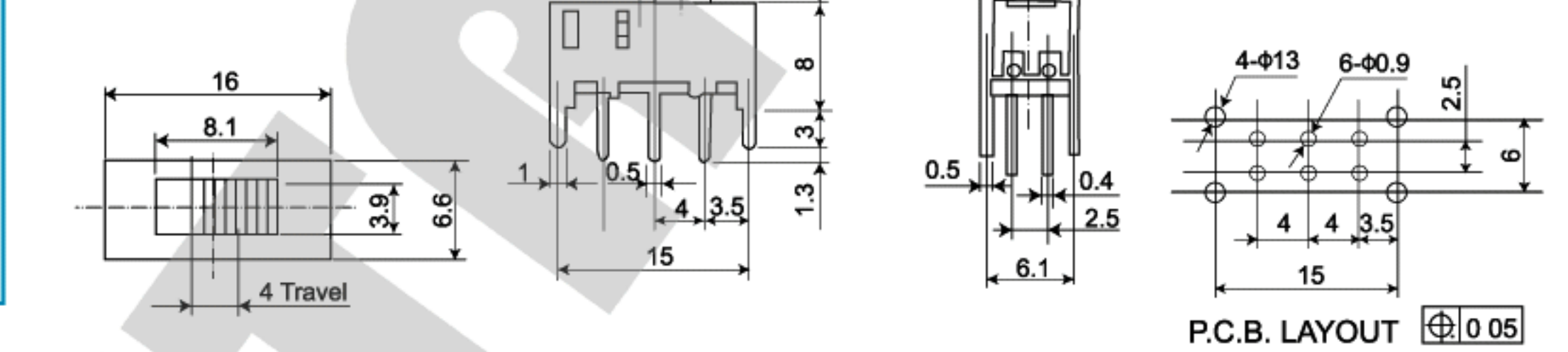


2P2T

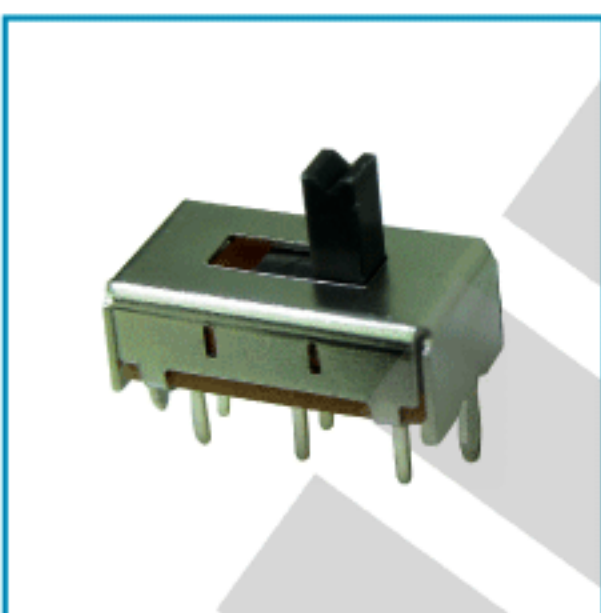


SS22H05G__

Optional knob size (L)
 G : 3-12mm

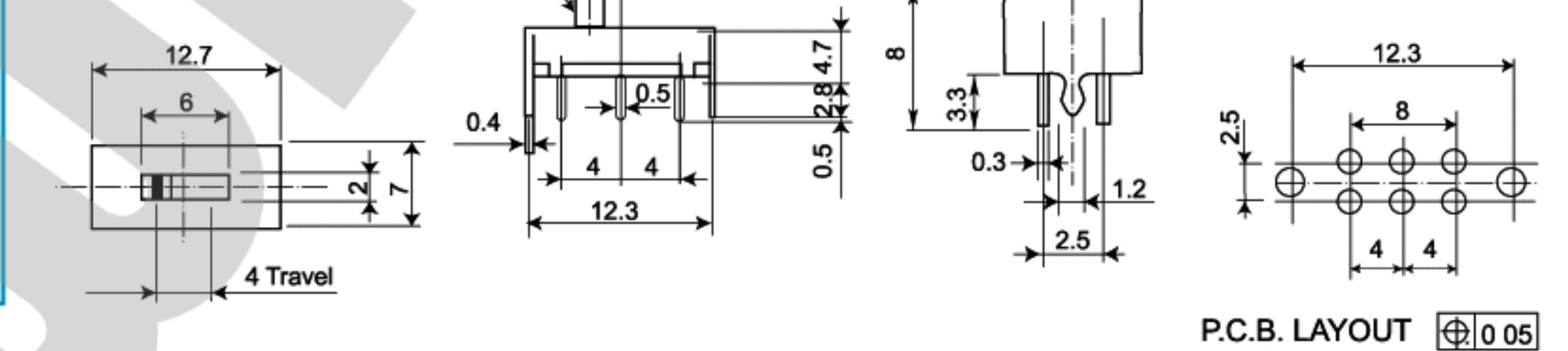


2P2T

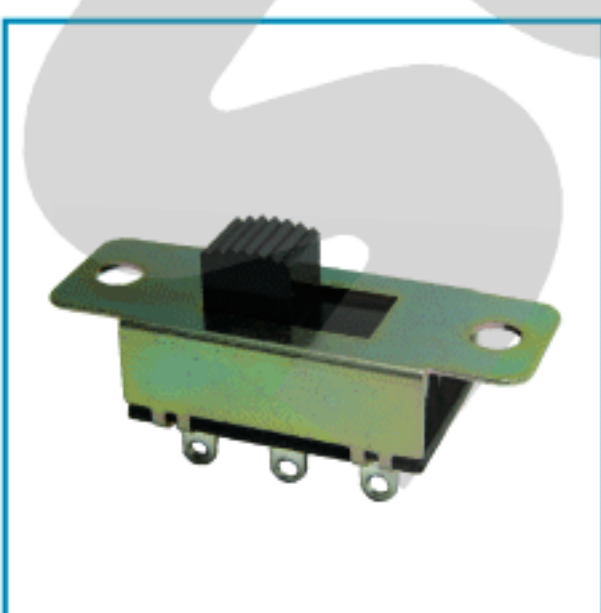


SS22H06VG__

Optional knob size (L)
 VG : 3-12mm



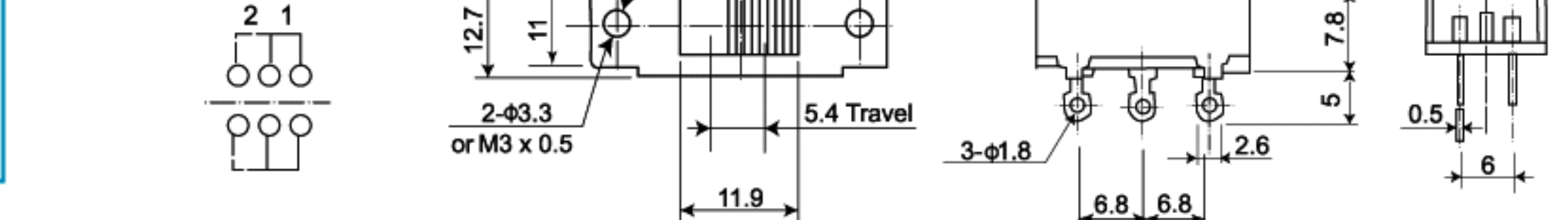
2P2T



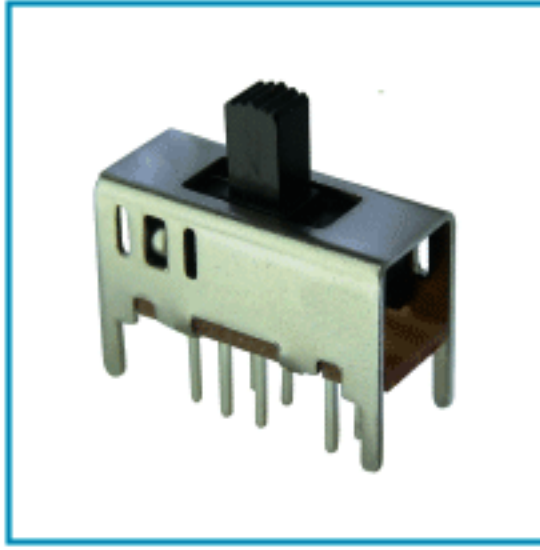
SS23E28 (φ3.0), SS23E26 (W/O BRACKET) ON OFF ON

SS23E29 (M3)
 SS22K28 (φ3.3)
 SS22K29 (M3)

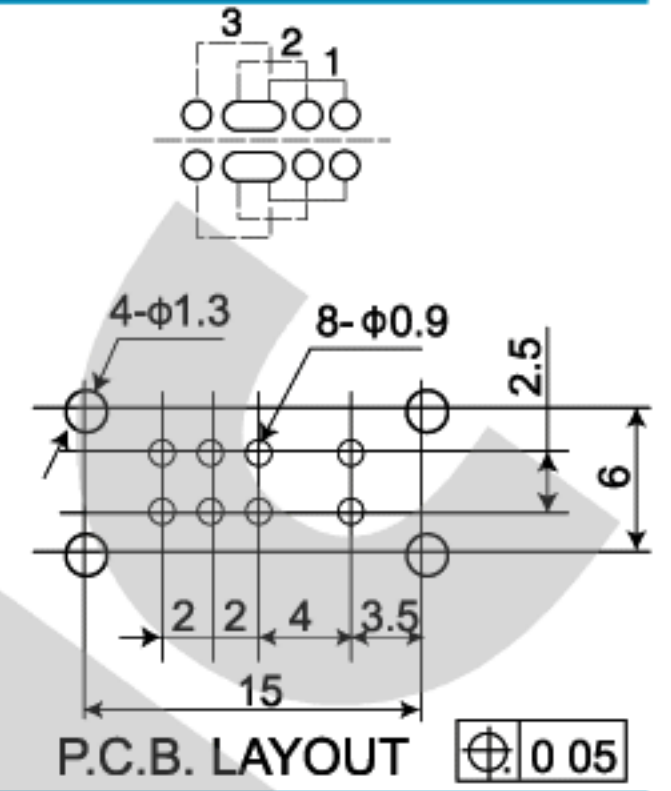
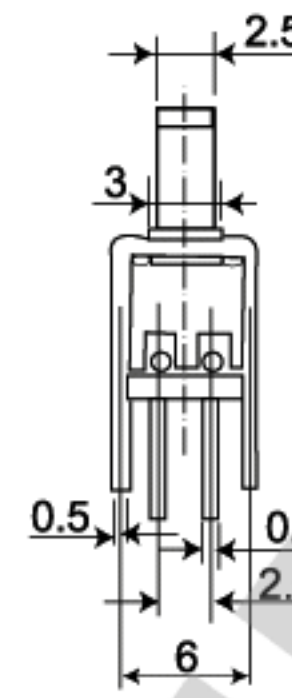
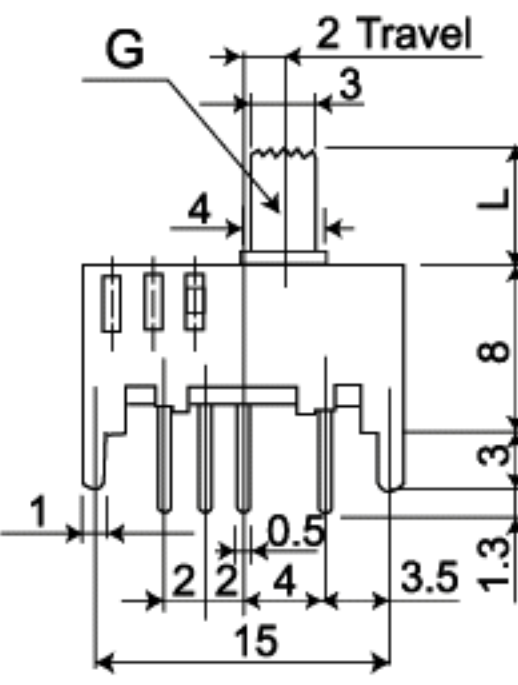
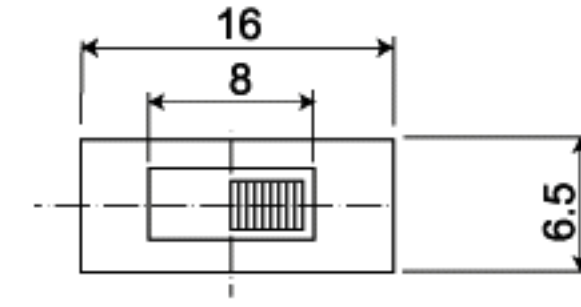
3A 125V



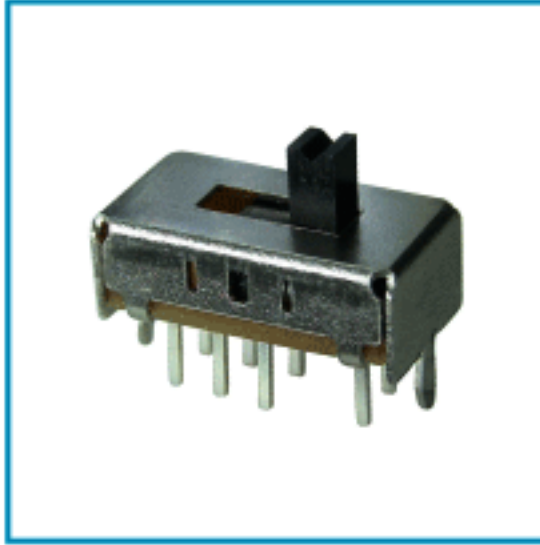
2P3T



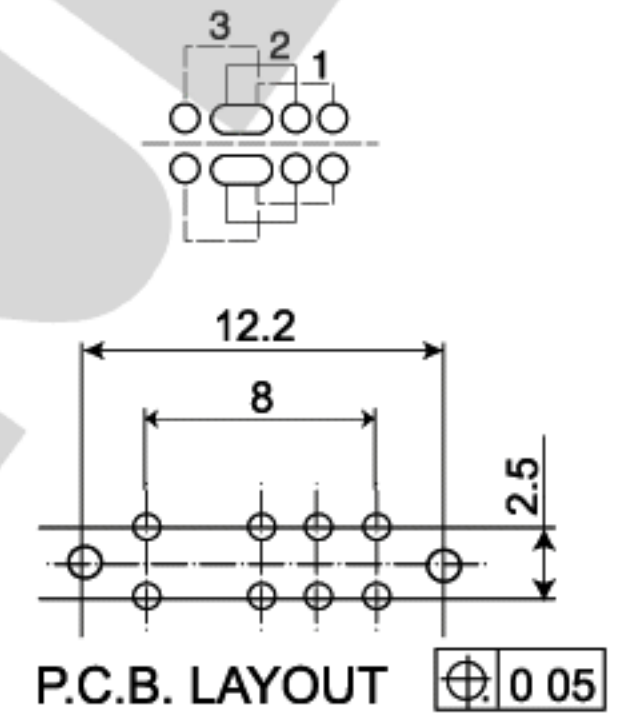
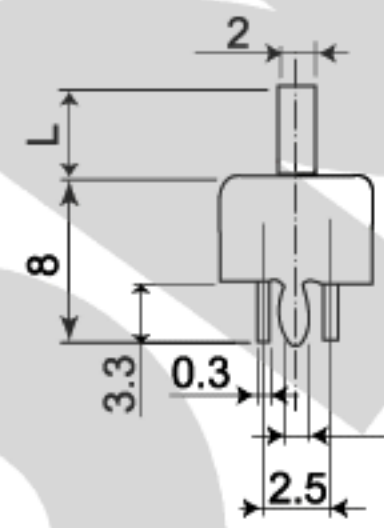
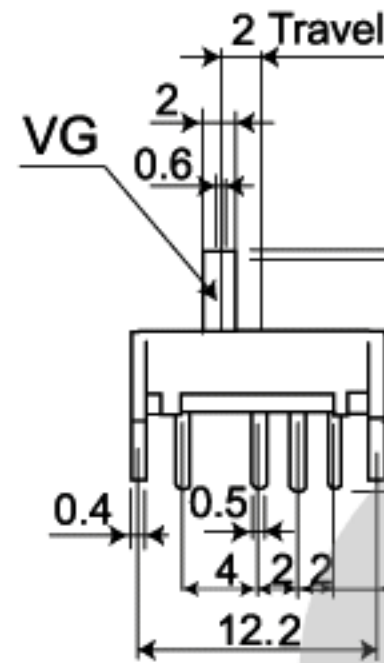
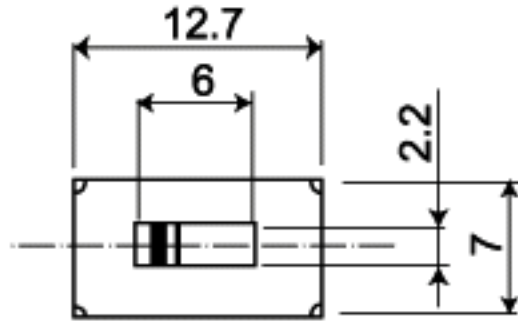
SS23D03G
Optional knob size (L)
G : 2-10mm



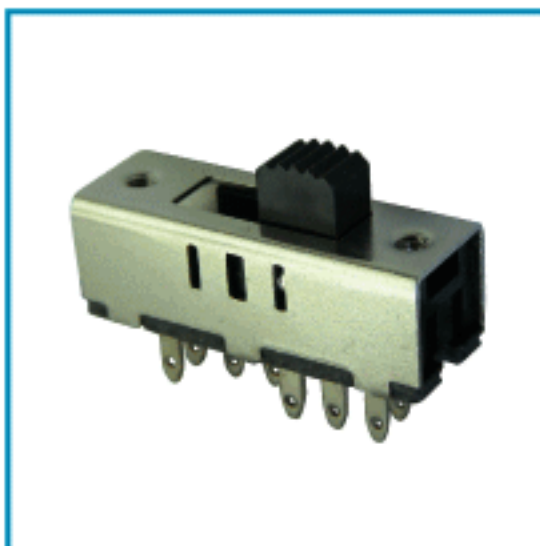
2P3T



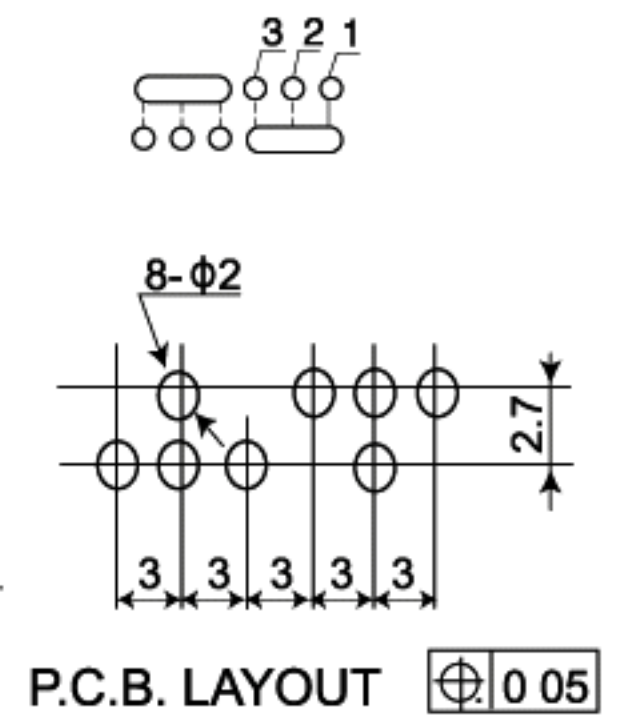
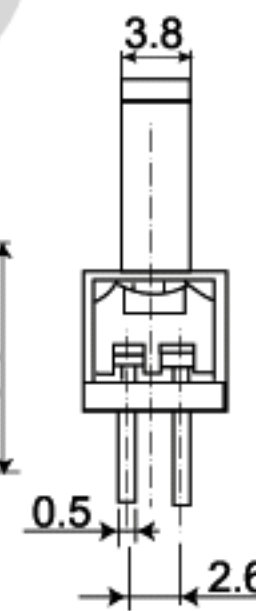
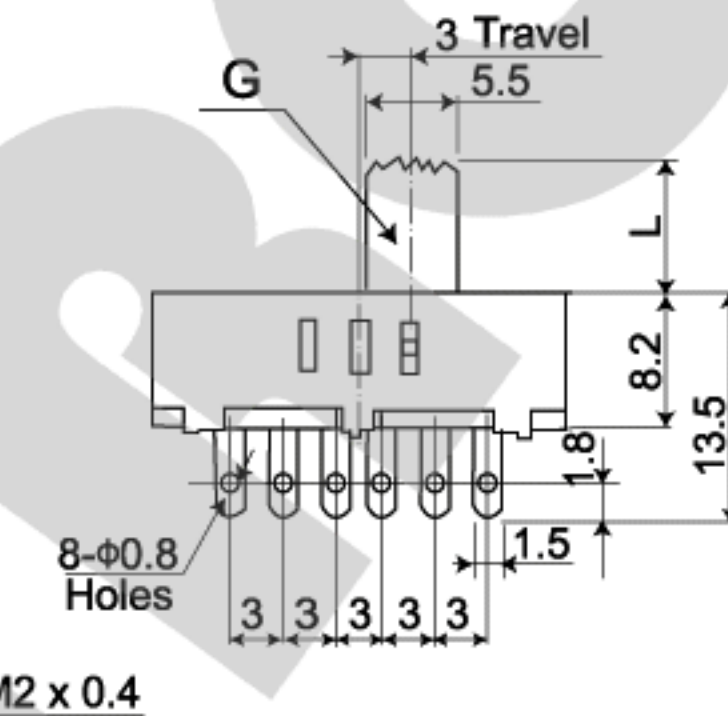
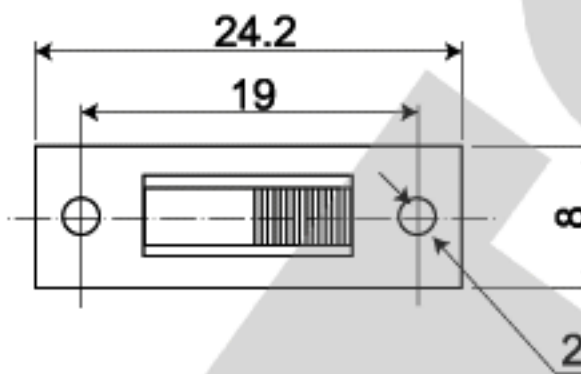
SS23D06VG
Optional knob size (L)
VG : 3-12mm



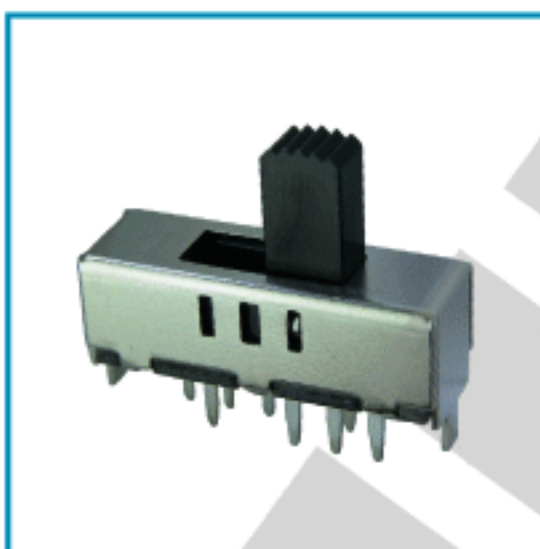
2P3T



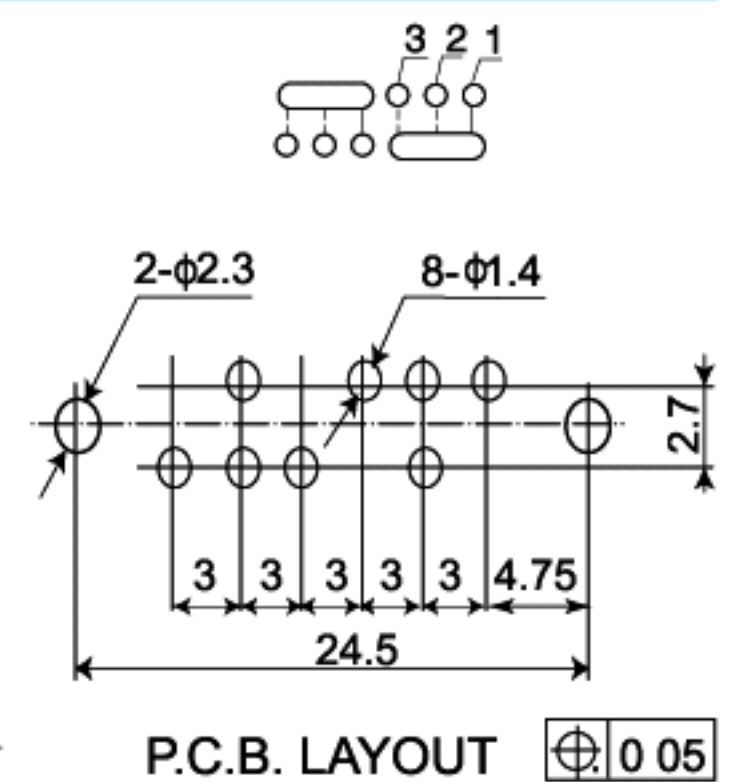
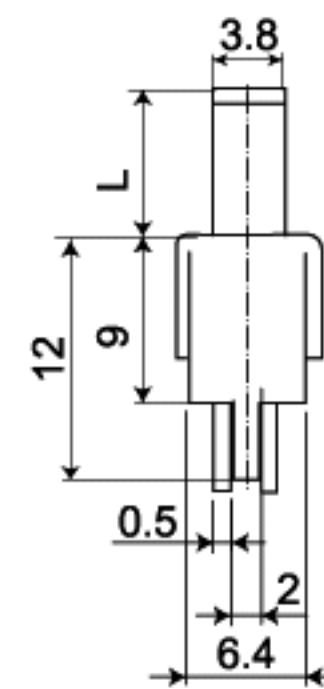
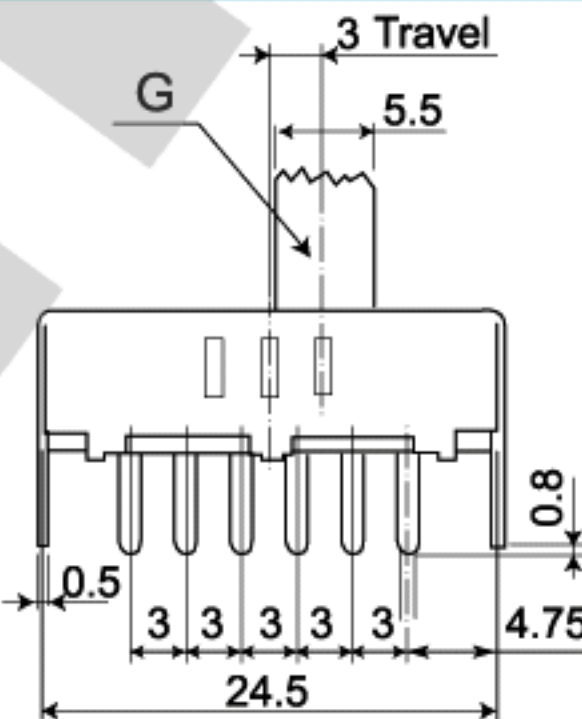
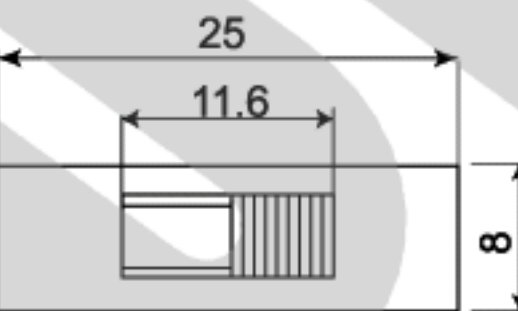
SS23F02G
Optional knob size (L)
G : 2-14mm



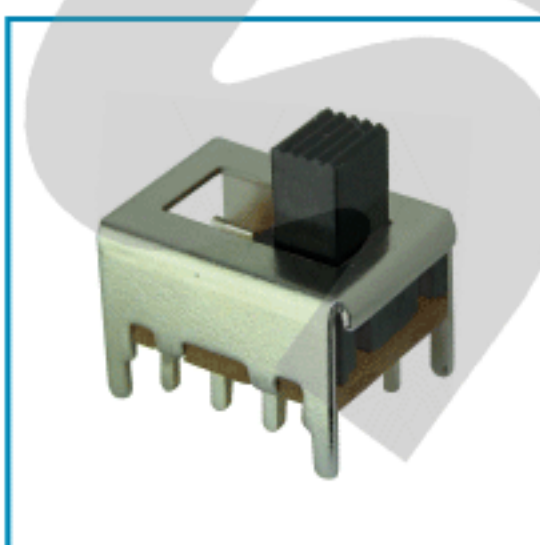
2P3T



SS23F07G
Optional knob size (L)
G : 4-18mm



2P3T



SS23F06G
Optional knob size (L)
G : 3-15mm

