

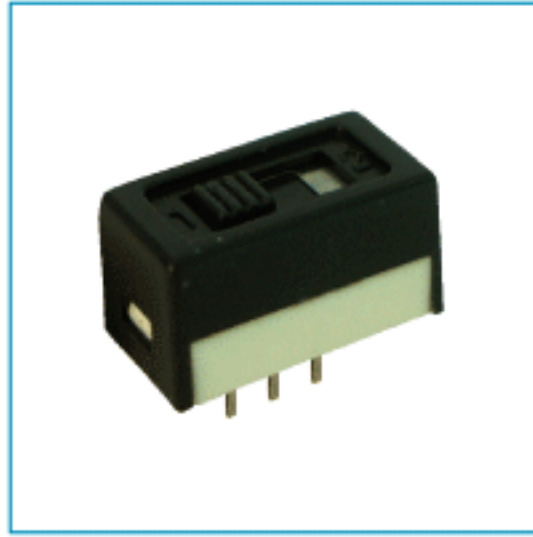
600 Series Miniature Slide Switches for P.C. Board

LICO

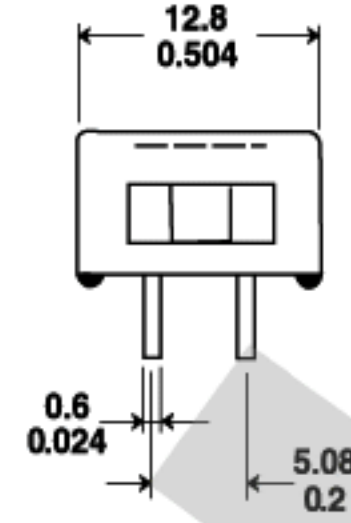
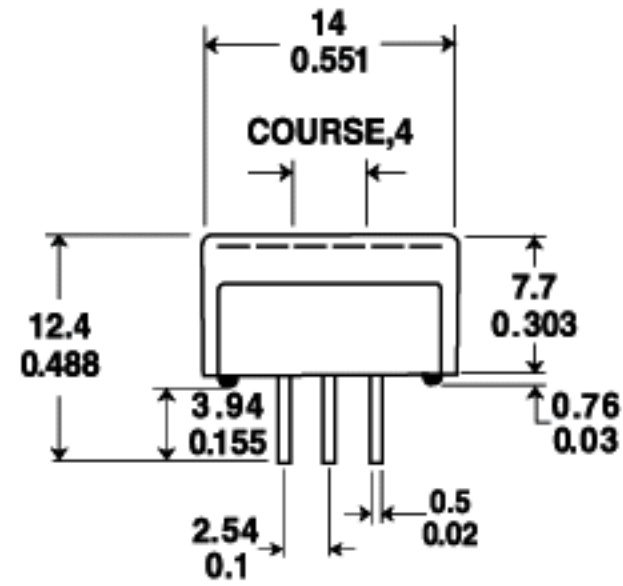
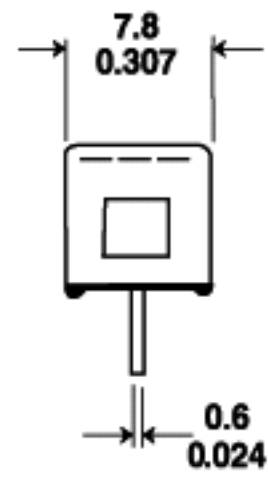
SPDT

S1 : Recessed Actuator, Vertical

DPDT



6011S1M1□E

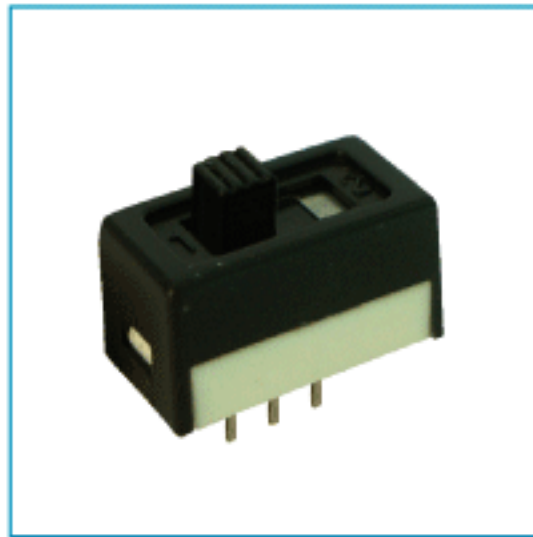


6021S1M2□E

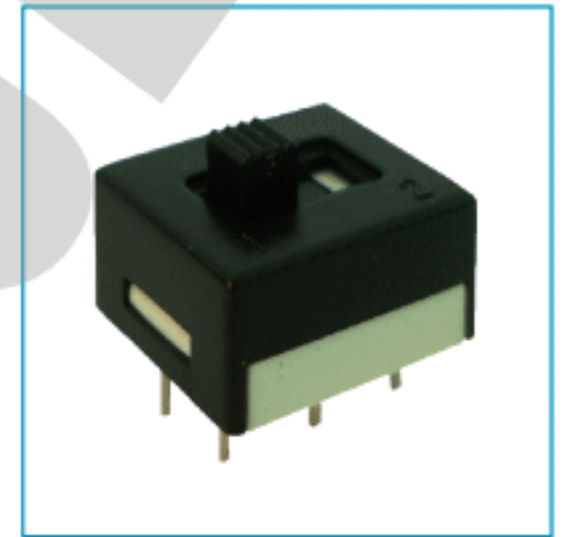
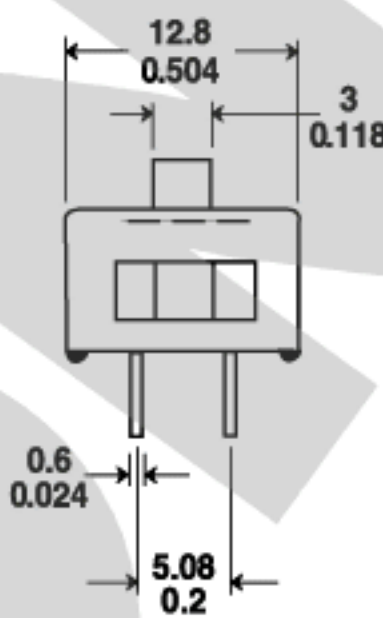
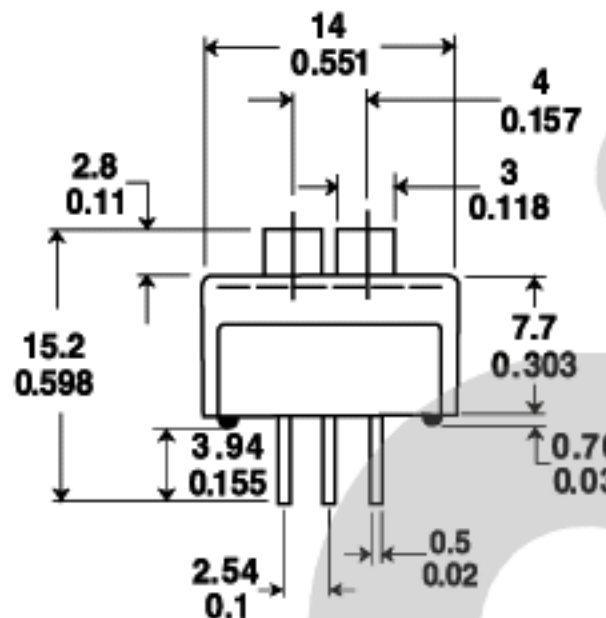
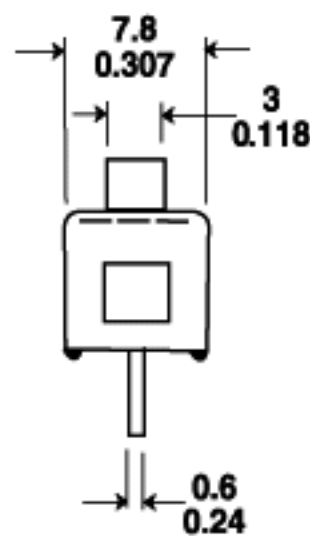
SPDT

S2 : 2.8mm Actuator, Vertical

DPDT



6011S2M1□E

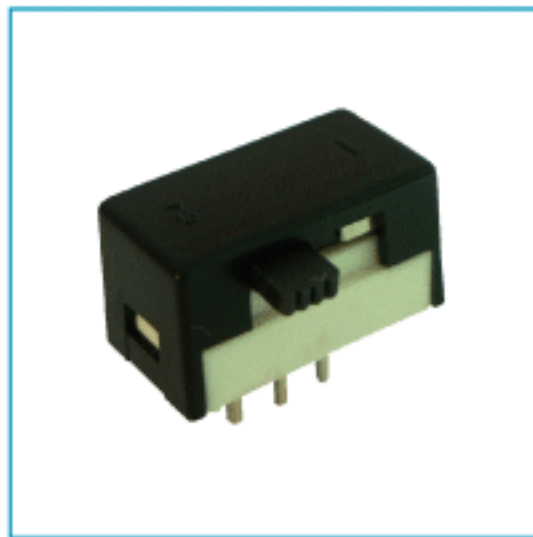


6021S2M2□E

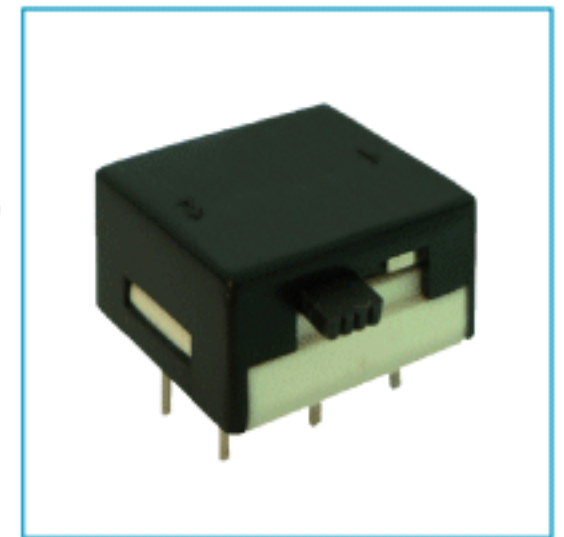
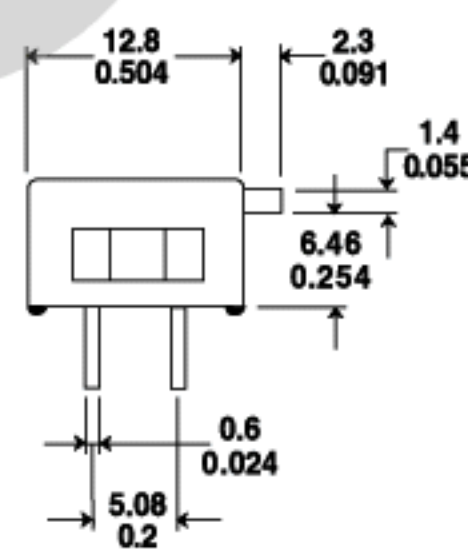
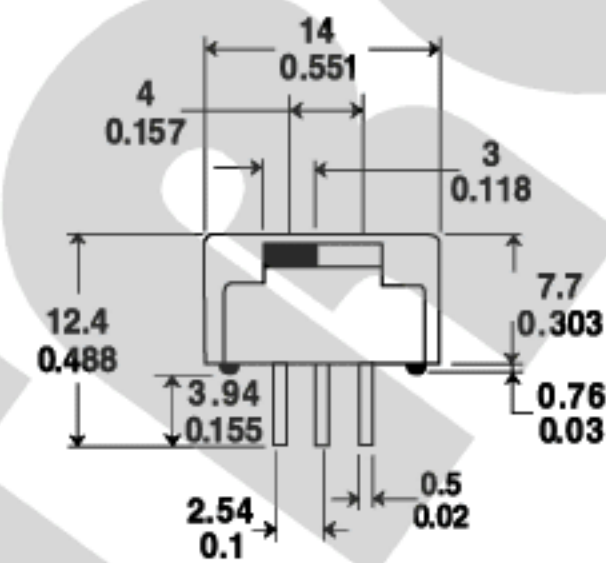
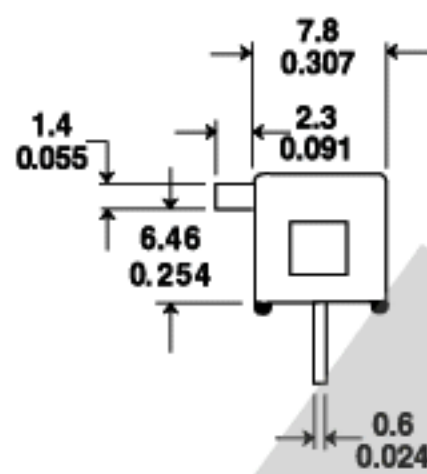
SPDT

S3 : 2.3mm Actuator, Horizontal

DPDT



6011S3M1□E



6021S3M2□E

TERMINAL OPTIONS (SPACING)

SPDT

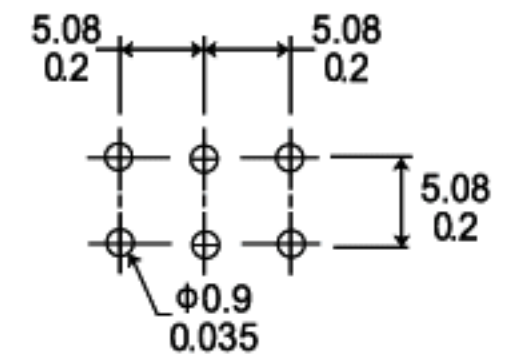
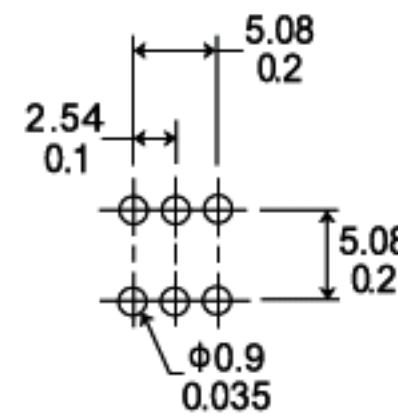
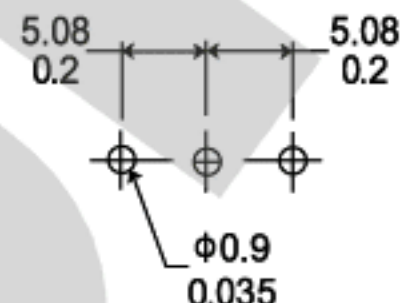
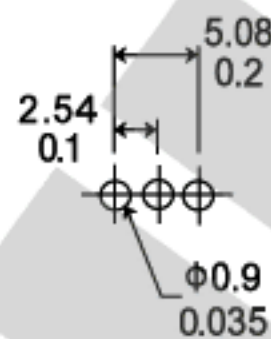
M1

M3

DPDT

M2

M4



CONTACT MATERIAL OPTIONS

Q:

FIXED TERMINAL: Silver plated copper alloy.
MOVABLE CONTACT: Silver plated copper alloy.
RATING: 3A resistive load @120V AC or 28V DC.
 1A with resistive load @250V AC.
CONTACT RESISTANCE: 20mΩ initial.

R:

FIXED TERMINAL: Gold plated over Nickel plated copper alloy.
MOVABLE CONTACT: Gold plated over Nickel plated copper alloy.
RATING: 0.4VA Max. @20V Max. (AC or DC)
CONTACT RESISTANCE: 50mΩ initial.

INSULATION RESISTANCE: 1,000MΩ Min.

WITHSTAND VOLTAGE: 1,000V RMS @sea level between contacts.

MINIMUM LOAD: Silver: 100mA 10V DC; Gold: 10mA 50mV DC.

OPERATING TEMPERATURE: -40°C ~ +80°C.

MECHANICAL LIFE: 20,000 Cycles.

LICO

LICO Electronics www.bauelemente.at

B27

office@lico.at

office@lico.hu

office@lico.ro