

Power Toggle Switches (3PDT 4PDT Optional)



LICO

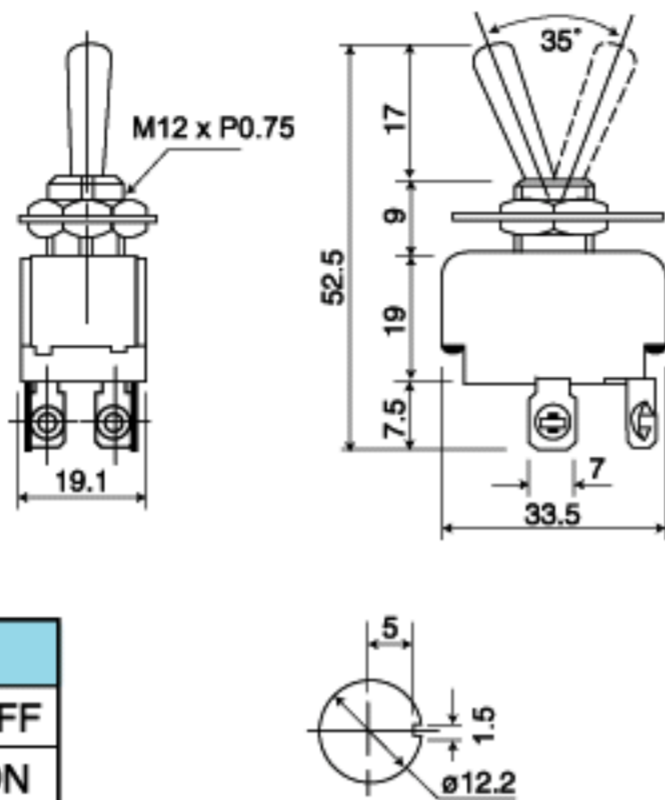
SPECIFICATION:

RATING : T509 : 6A 250V, 10A 125V AC.
 T901, T902 : 10A 250V, 15A 125V AC.
 T903, T904 : 15A 250V, 20A 125V AC.
 CONTACT RESISTANCE : 20mΩ Max.(initial)
 INSULATION RESISTANCE : 200MΩ Min. at 500V DC
 WITHSTAND VOLTAGE : 1,500V AC for 1 minute.

MATERIALS:

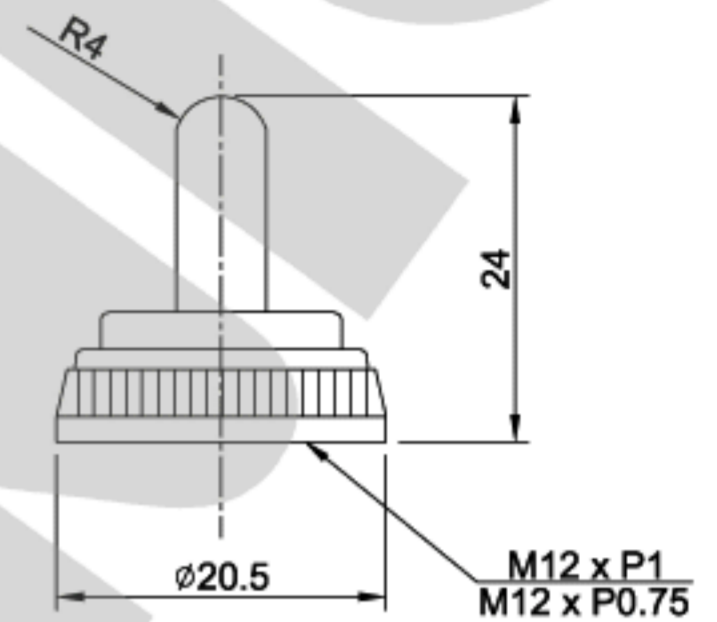
HOUSING : Phenolic.
 CONTACT : Silver Alloy Silver plated.
 TERMINAL : Copper Alloy Tin plated,
 or Nickel.
 HANDLE : Brass Chroms plated or Nickel.

T509

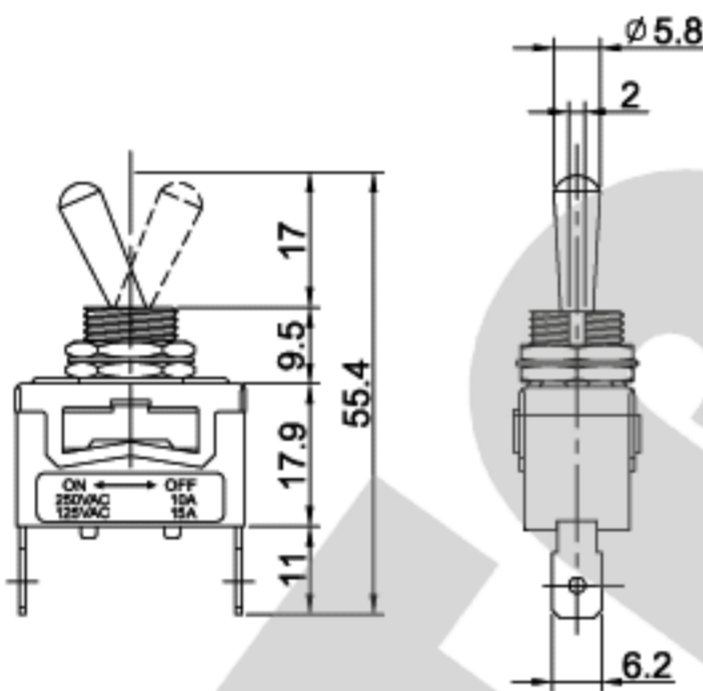


MODEL NO.	TYPE
T509A	DPST ON -- OFF
T509B	DPDT ON -- ON
T509C	DPDT ON OFF ON

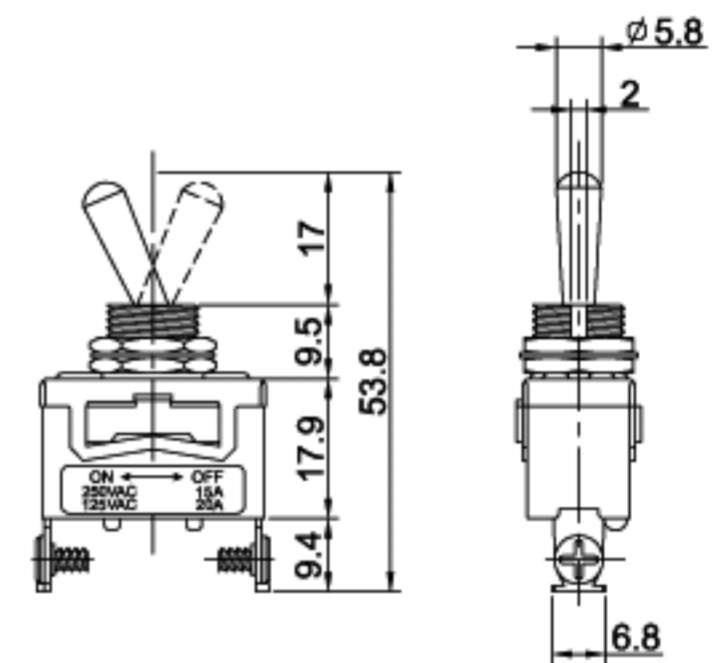
T900 SEAL CAP



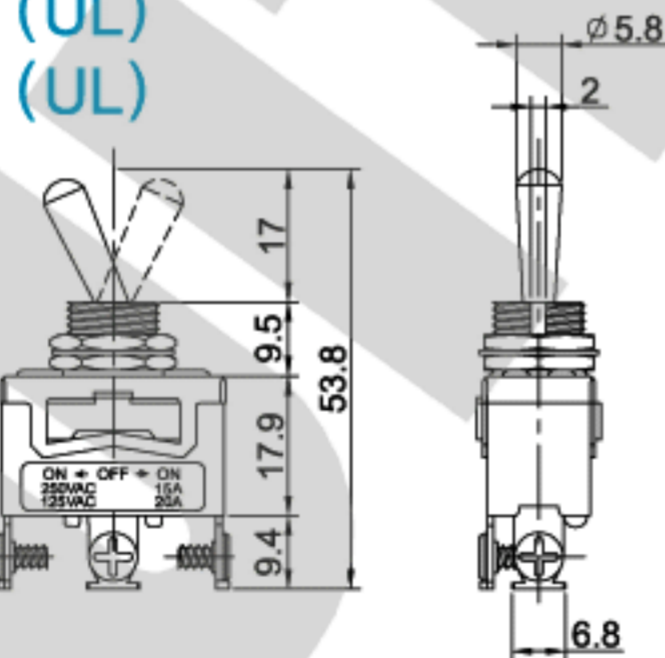
T901A1T (UL)



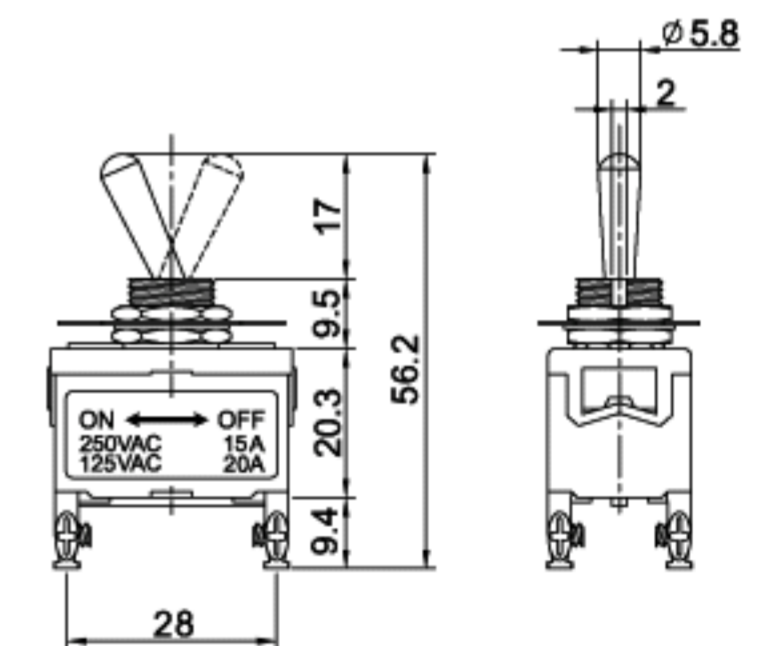
T901A5W (UL)



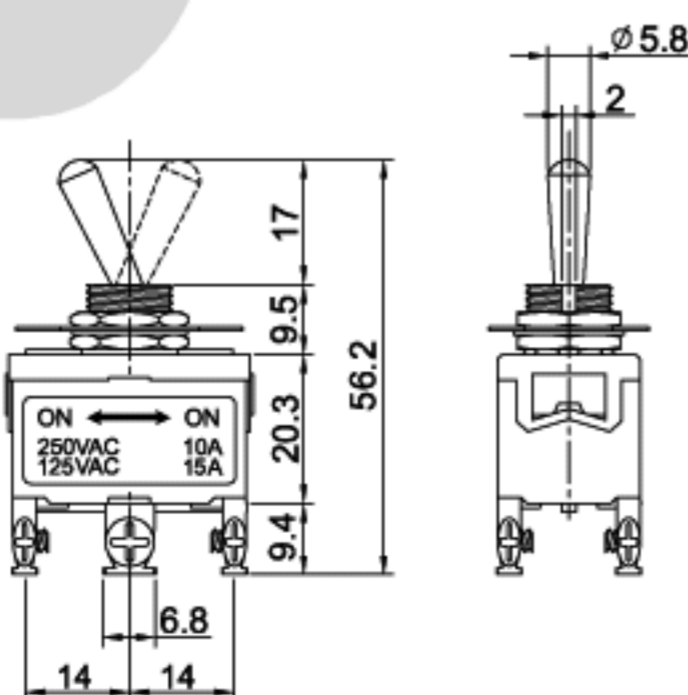
T901B5W ON ON (UL)
 T901C5W ON OFF ON (UL)



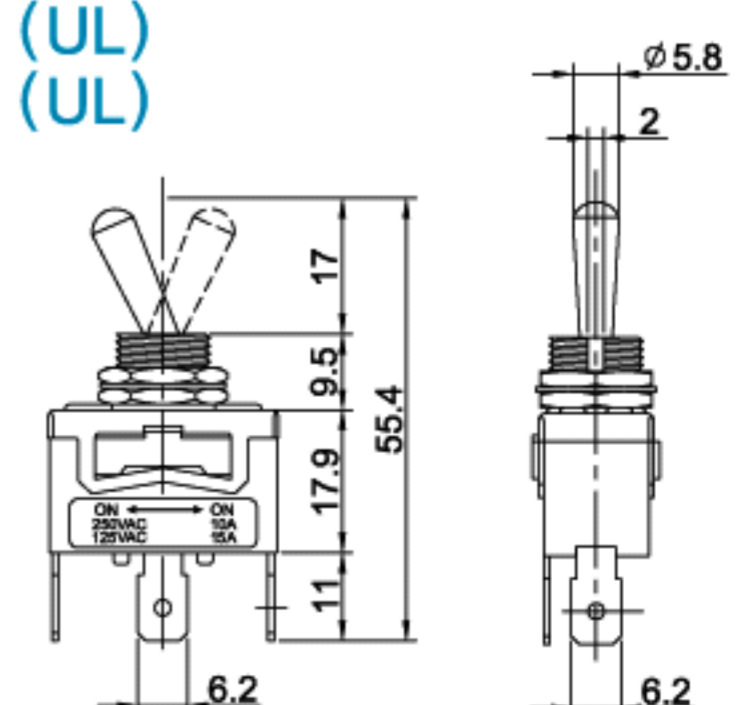
T902A5W (UL)



T902B1W (UL)
 T902D1W



T901B1T ON ON (UL)
 T901C1T ON OFF ON (UL)



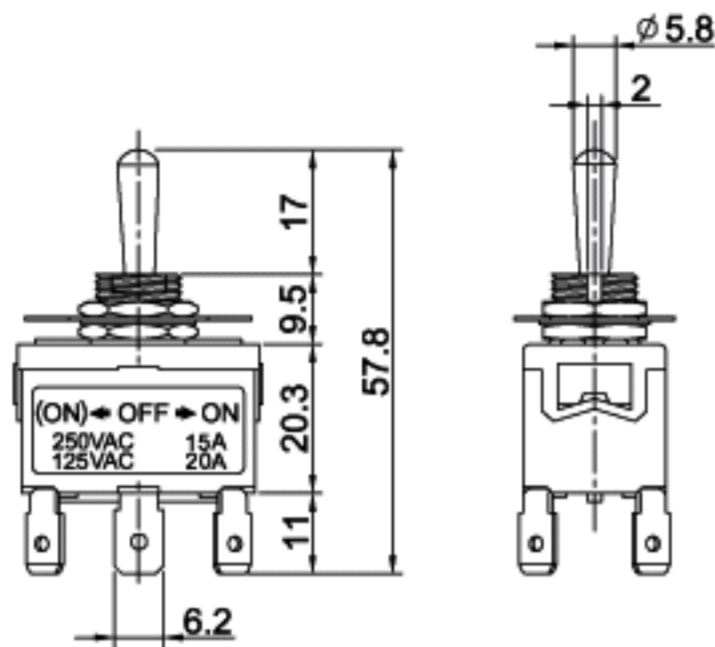
Power Toggle Switches (3PDT 4PDT Optional)



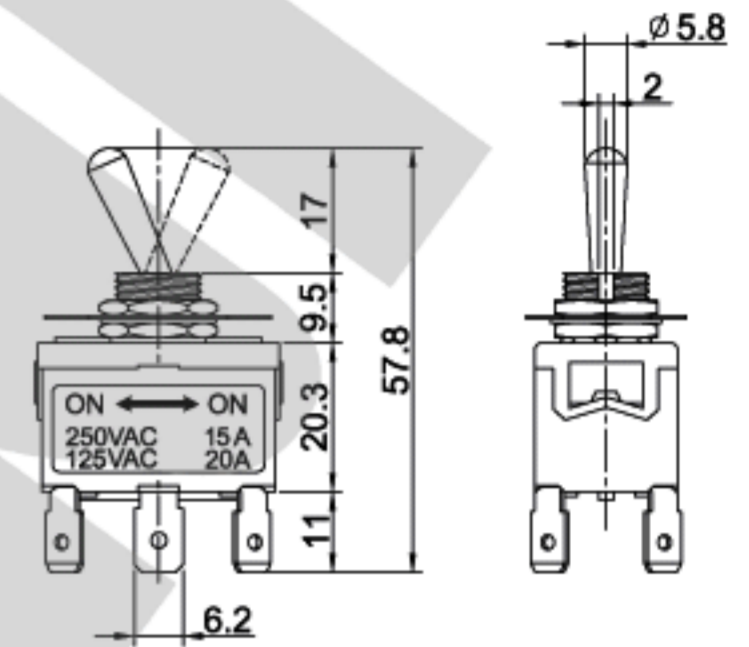
LICO

MODEL NO.	TYPE	MODEL NO.	TYPE	MODEL NO.	TYPE	MODEL NO.	TYPE
T901A (UL)	SPST ON --- OFF	T902A (UL)	DPST ON -- OFF	T903A	3PST ON -- OFF	T904A	4PST ON -- OFF
T901B (UL)	SPDT ON --- ON	T902B (UL)	DPDT ON -- ON	T903B	3PDT ON -- ON	T904B	4PDT ON -- ON
T901C (UL)	SPDT ON OFF ON	T902C (UL)	DPDT ON OFF ON	T903C	3PDT ON OFF ON	T904C	4PDT ON OFF ON
T901D	SPDT ON --- (ON)	T902D	DPDT ON -- (ON)	T903D	3PDT ON -- (ON)	T904D	4PDT ON -- (ON)
T901F	SPST (ON) --- OFF	T902F	DPST (ON) -- OFF	T903F	3PST (ON) -- OFF	T904F	4PST (ON) -- OFF
T901M	SPDT (ON) OFF (ON)	T902M	DPDT (ON) OFF (ON)	T903M	3PDT (ON) OFF (ON)	T904M	4PDT (ON) OFF (ON)
T901R	SPDT ON OFF (ON)	T902R	DPDT ON OFF (ON)	T903R	3PDT ON OFF (ON)	T904R	4PDT ON OFF (ON)

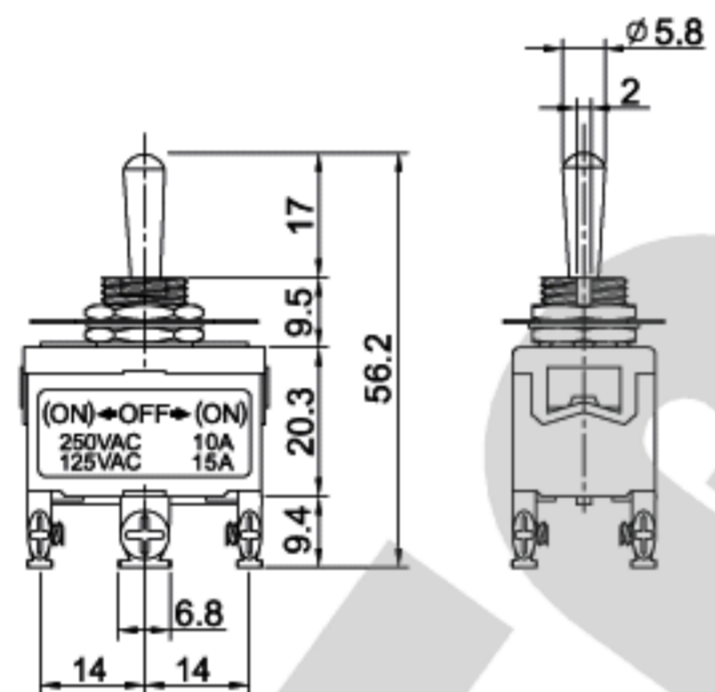
T902C5T
T902R5T



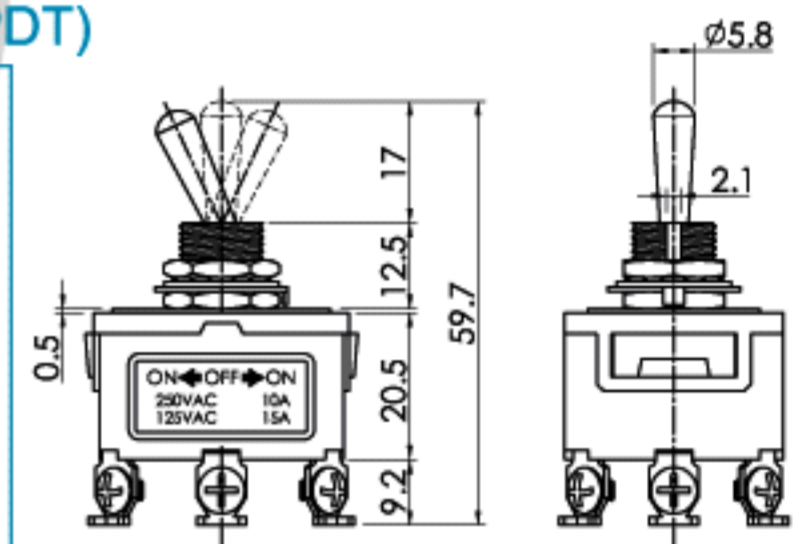
T902B5T (UL)
T902D5T



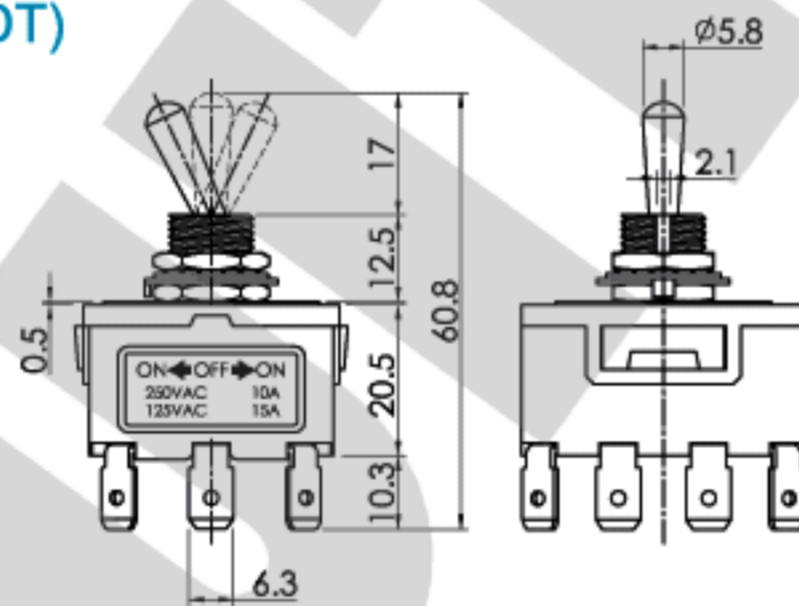
T902C1W
T902M1W



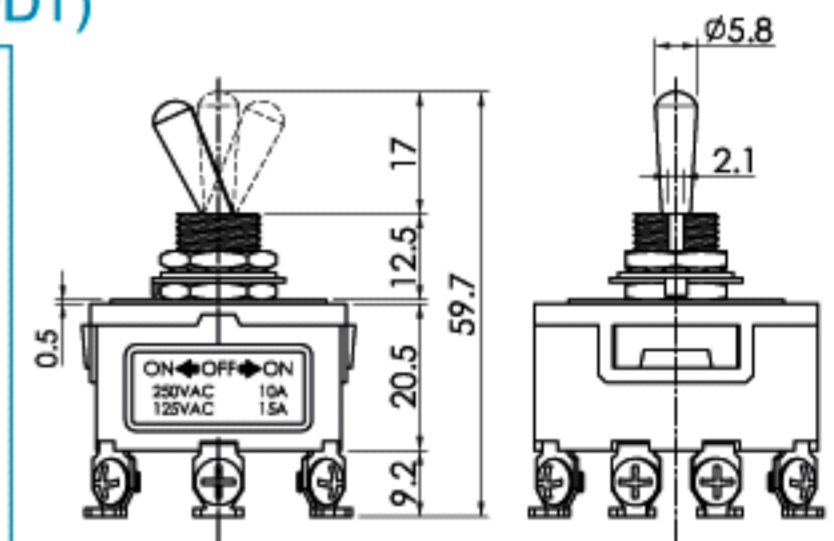
T903C1W (3PDT)
T903R1W (3PDT)



T904C1T (4PDT)
T904R1T (4PDT)



T904C1W (4PDT)
T904D1W (4PDT)



HOW TO ORDER

LICO	MODEL NO.	RATING	TERMINAL	INDICATED PLATE	NUTS & WASHER	SCREWS
□: NON L7:	T901 : 1 POLE T902 : 2 POLES T903 : 3 POLES T904 : 4 POLES	1 : 10A 250V AC 5 : 15A 250V AC 7 : 20A 250V AC	T S W	1: ON OFF 2: ON ON 3: ON OFF ON N: WITHOUT	1: FIXED ON S/W 2: SEPARATE PACKING 3: WITHOUT	1: FIXED ON S/W 2: SEPARATE PACKING 3: WITHOUT