

SPECIFICATION:

Contact rating	: Silver : 5A 120V AC, 2A 250V AC. Gold : 0.4VA, 20V DC Max.
Mechanical life	: 30,000 Make-and-break cycles.
Contact resistance	: 10mΩ Max.initial @2-4V DC. 100mA for both Silver and Gold plated contacts.
Insulation resistance	: 1,000MΩ Min.
Withstand voltage	: 1,000V RMS @sea level.
Operating temperature	: -30°C ~ +85°C.

MATERIALS:

Case & Bushing	: Glass filled NYLON 66, flame retardant, heat stabilized. (UL94V-0)
Actuator	: Brass, chrome plated, with internal O-ring seal standard.
Switch support	: Brass or Steel, Tin plated.
Switch support retainer	: Stainless Steel.
Contact / Terminals	: Copper alloy, with Silver or Gold plated.

() : MOMENTARY

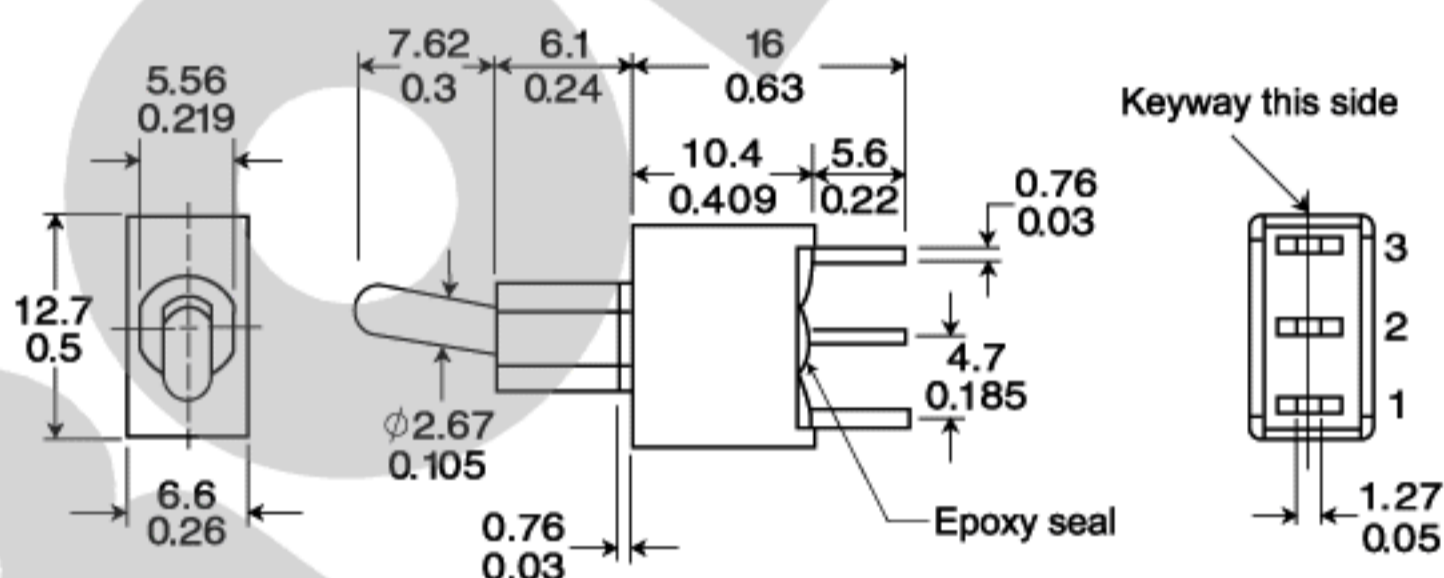
SPDT



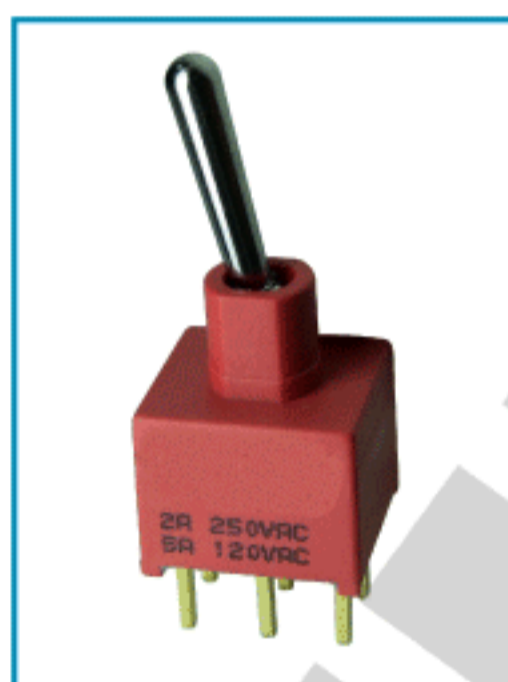
1AS1T2B4M2QE

MODEL NO.	TYPE		
1AS1	ON		ON
1AS2	ON		(ON)
1AS3	ON	OFF	ON
1AS4	(ON)	OFF	(ON)
1AS5	ON	OFF	(ON)
Term. Comm.	2 - 3	OPEN	2 - 1

Schematic



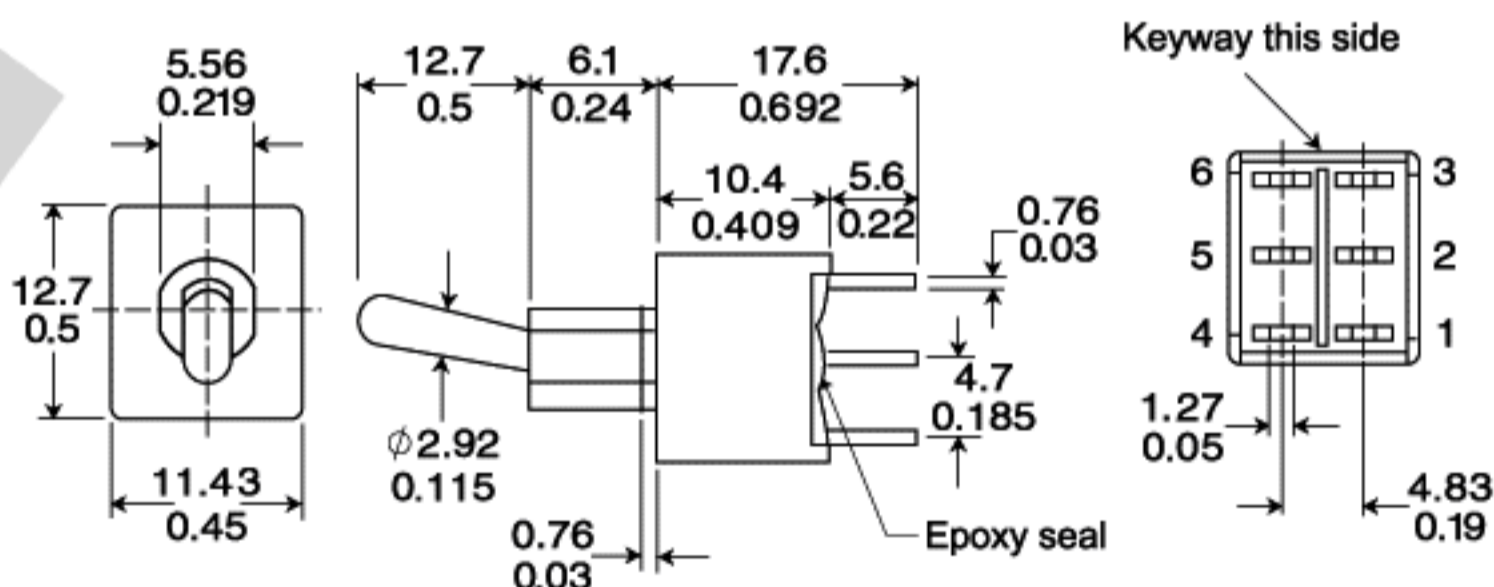
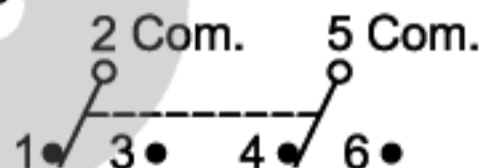
DPDT



1AD1T1B4M2QE

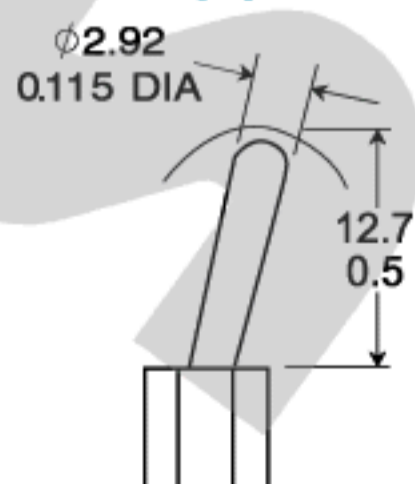
MODEL NO.	TYPE		
1AD1	ON		ON
1AD2	ON		(ON)
1AD3	ON	OFF	ON
1AD4	(ON)	OFF	(ON)
1AD5	ON	OFF	(ON)
1AD6	ON	ON	ON
Term. Comm.	2 - 3 5 - 6	OPEN	2 - 1 5 - 4

Schematic



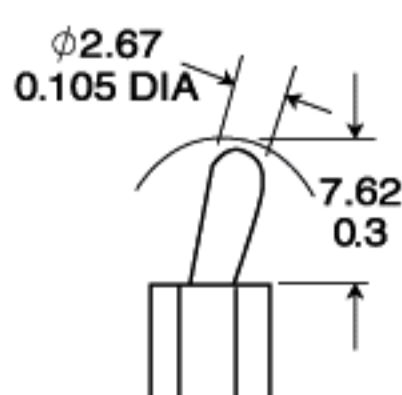
ACTUATOR OPTIONS

T1



Standard when order with M1, M2 terminations.

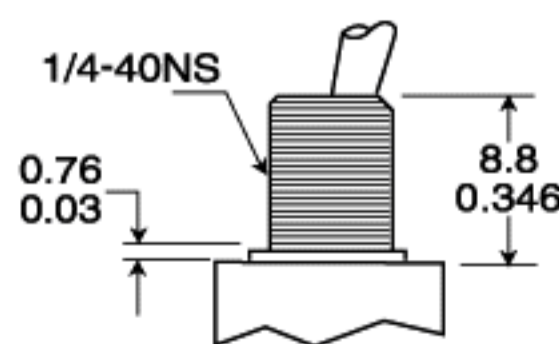
T2



Standard when order with M6, M7, VS terminations.

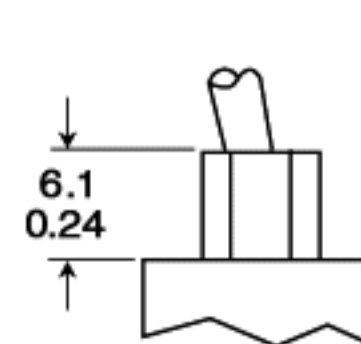
BUSHING OPTIONS

B1



Standard for M1

B4



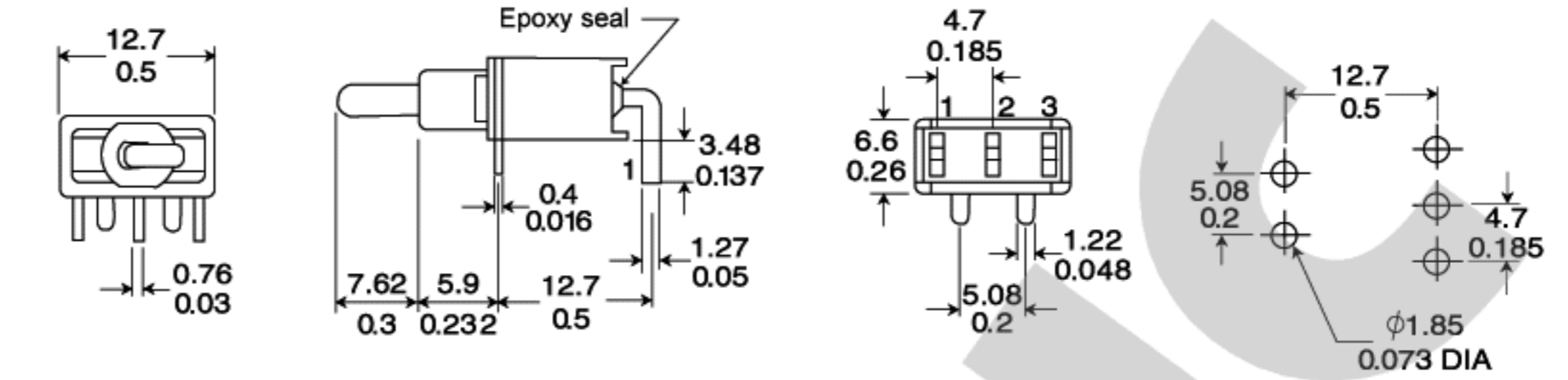
Standard for M2, M6, M7 VS termination

SPDT

M6

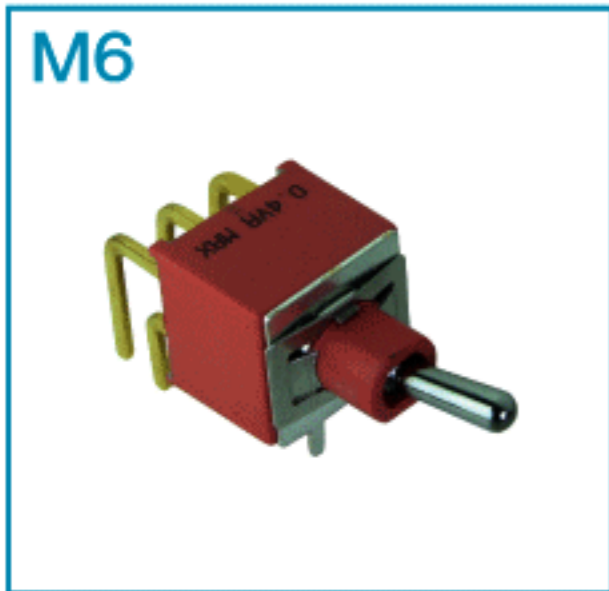


1AS1T2B4M6RE

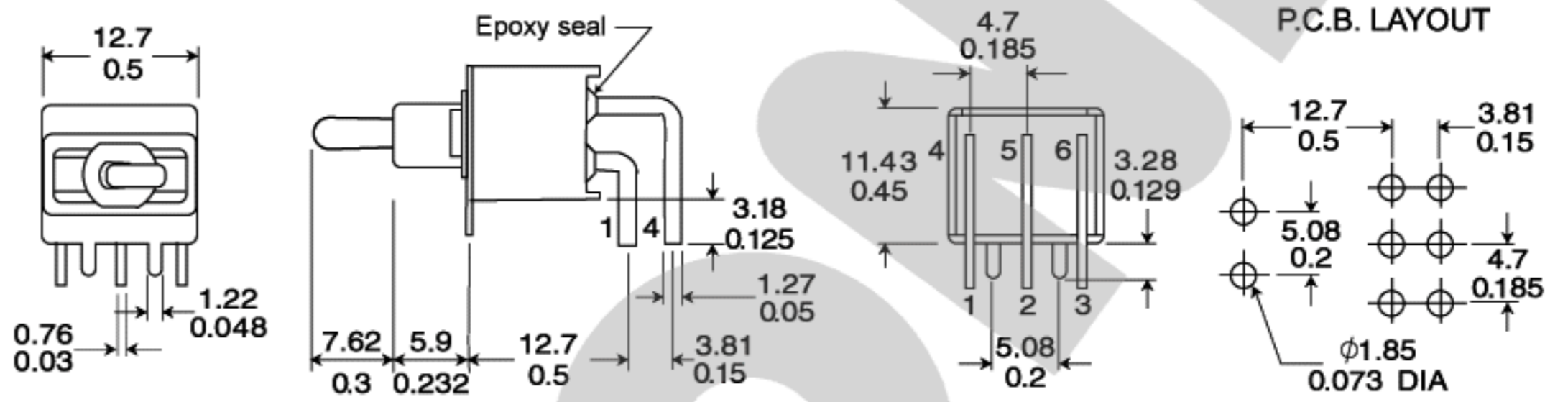


DPDT

M6

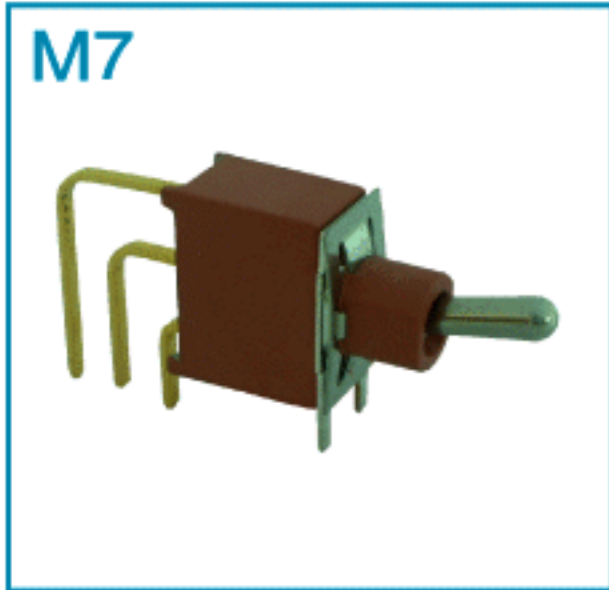


1AD1T2B4M6RE

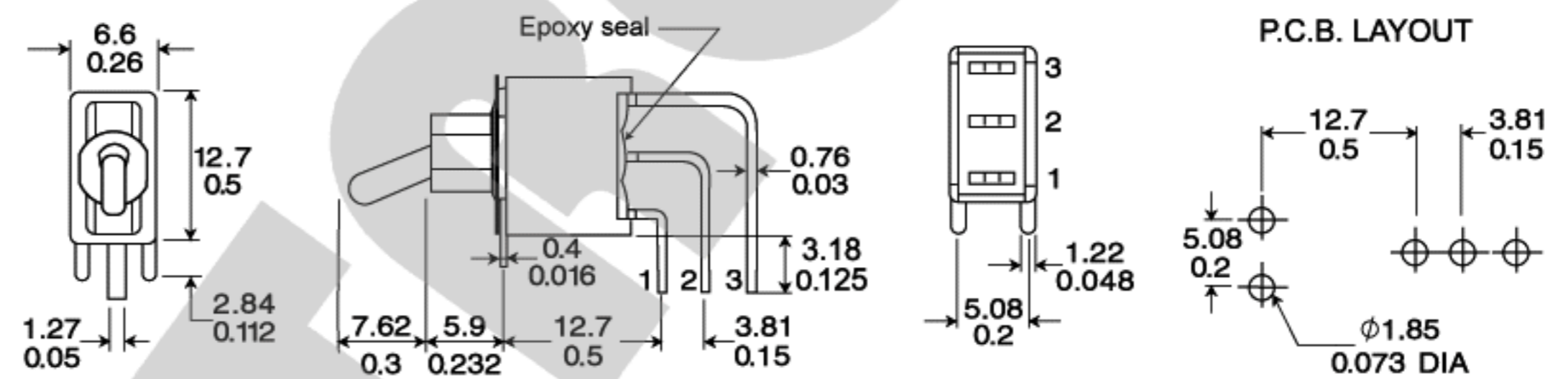


SPDT

M7

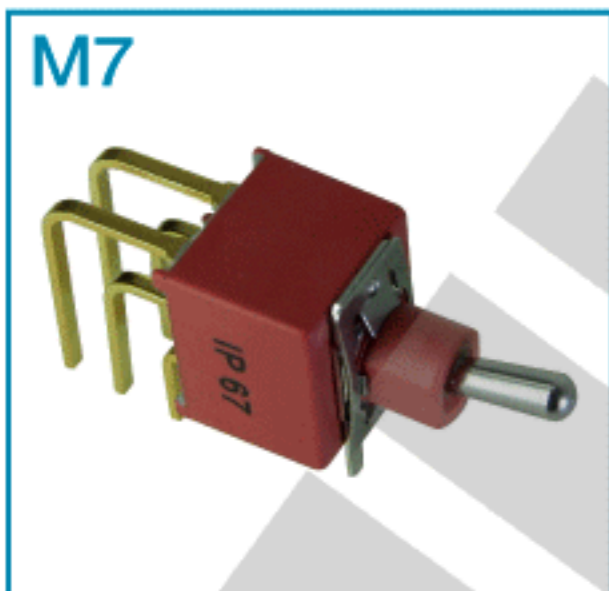


1AS1T2B4M7RE

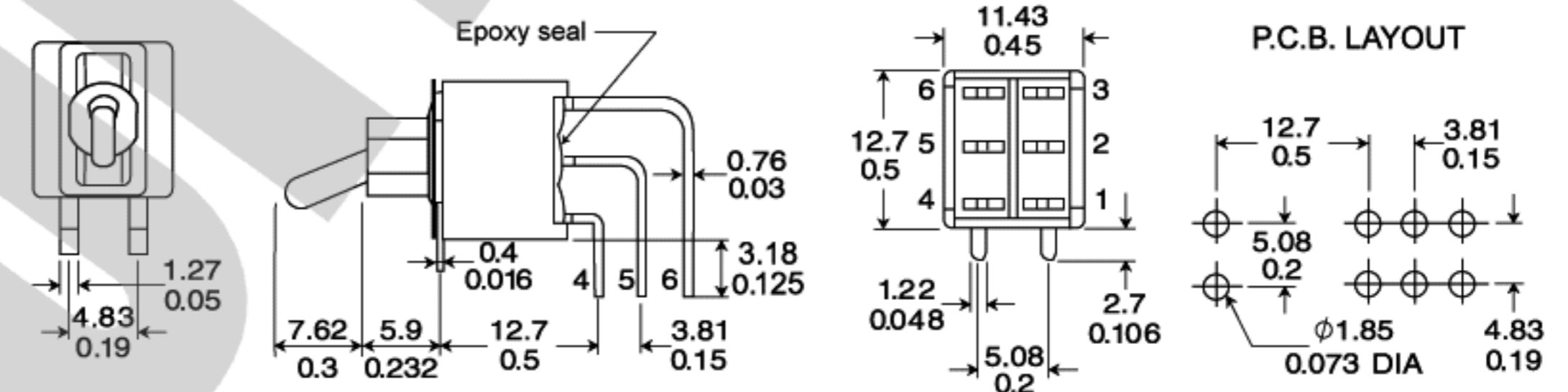


DPDT

M7

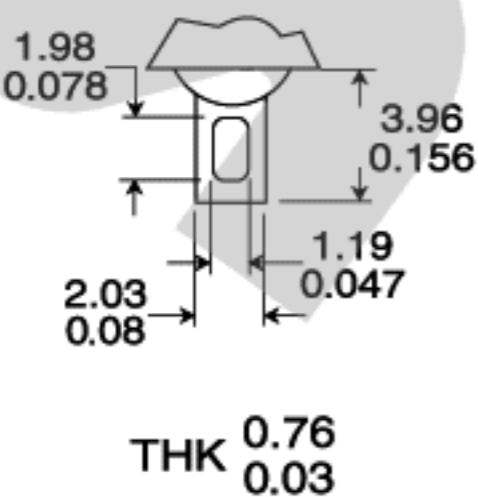


1AD1T2B4M7RE

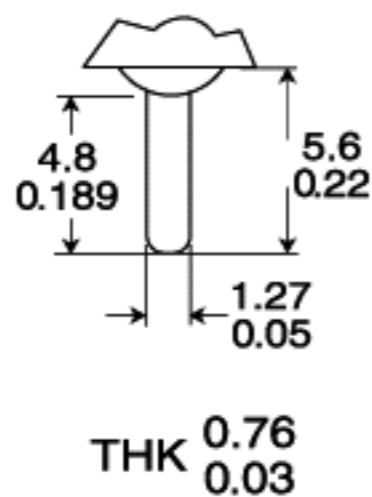


TERMINAL OPTIONS

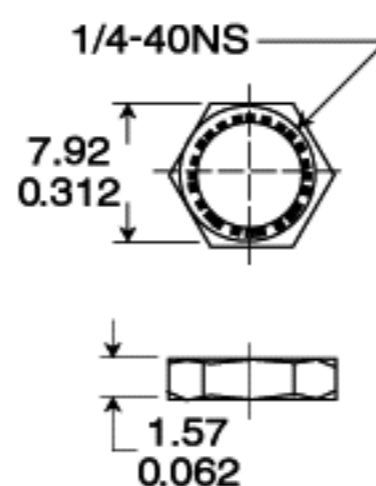
M1



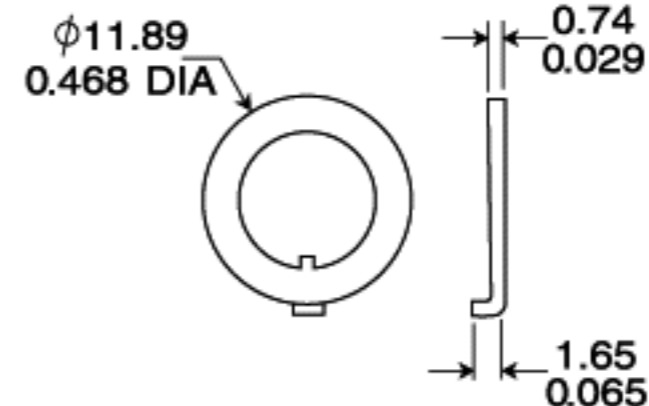
M2



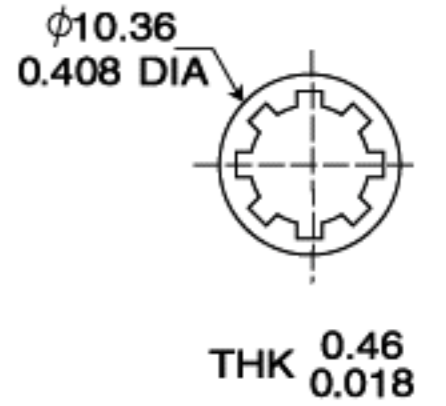
NUT



LOCKING RING

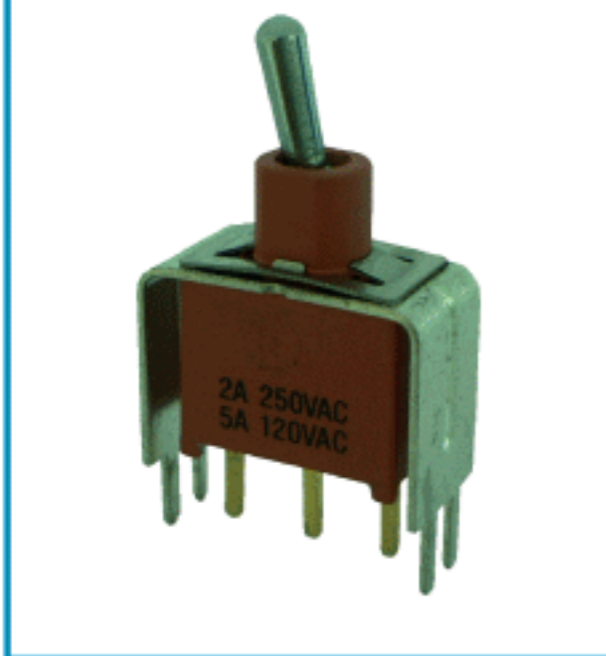


LOCKING WASHER

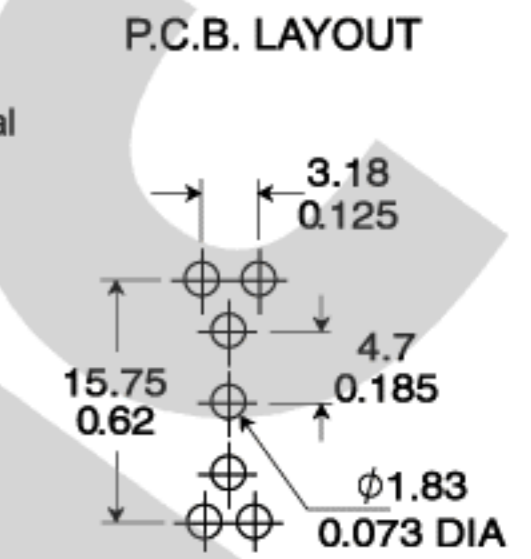
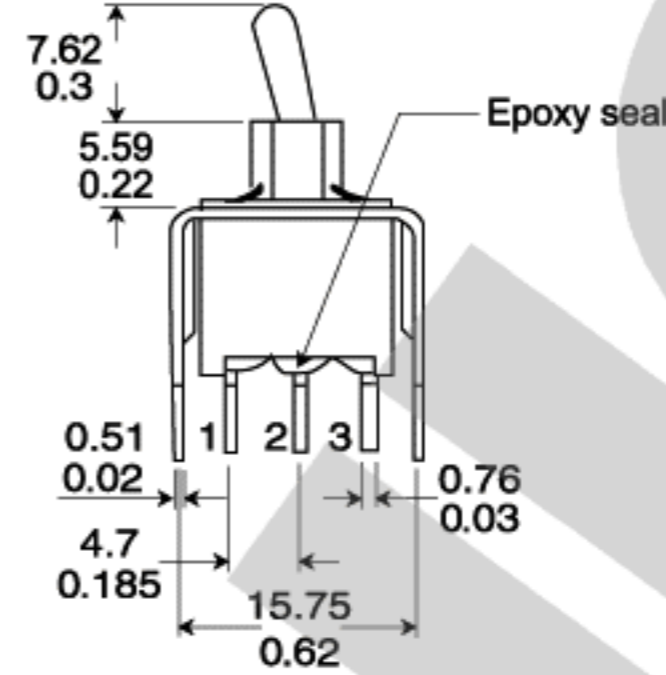
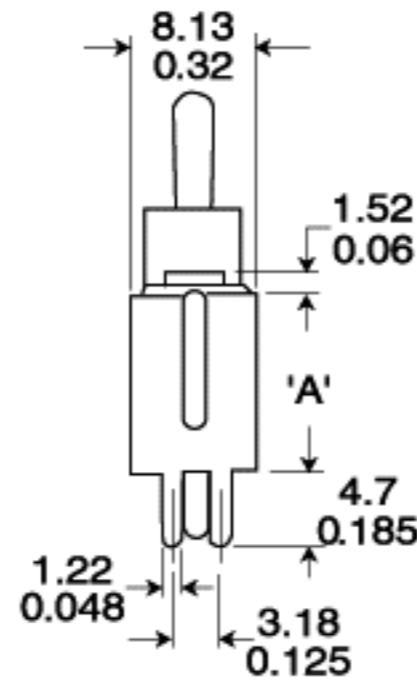


SPDT

VS2-VS3



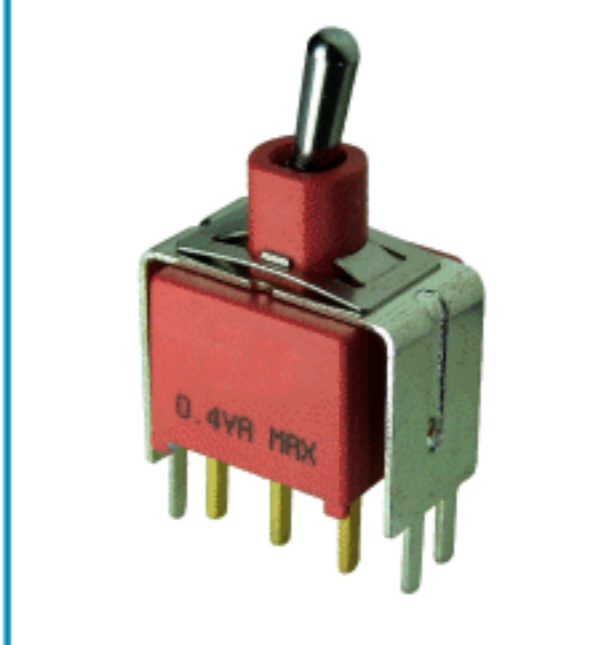
OPTION CODE	DIM.'A'
VS2	11.68 0.46
VS3	16 0.63



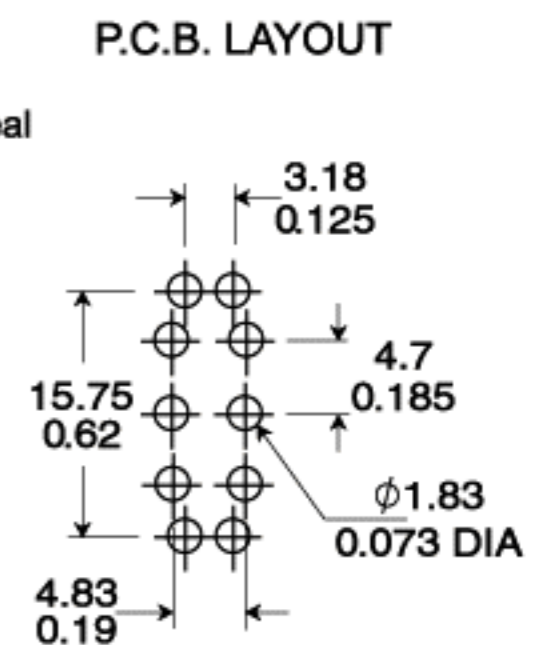
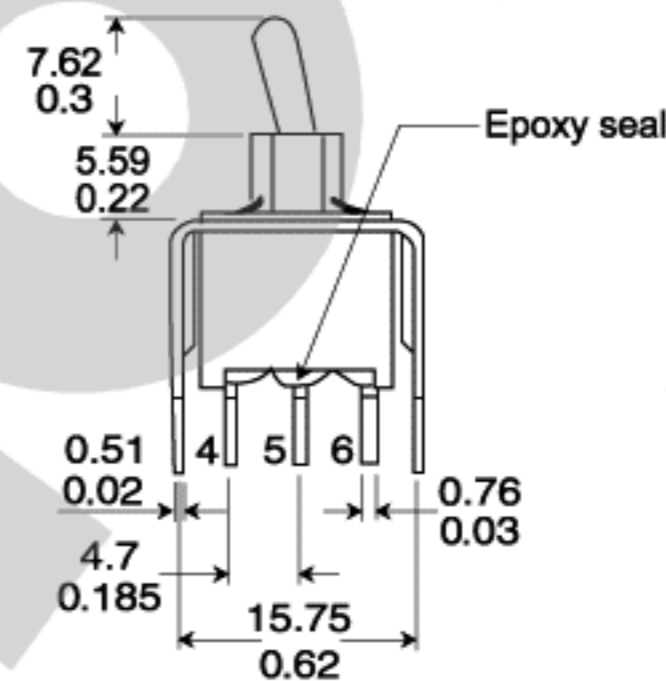
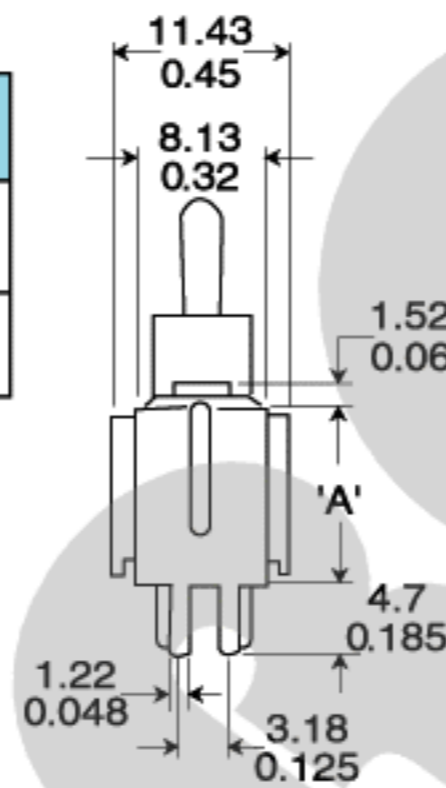
1AS2T2B4VS2RE

DPDT

VS2-VS3



OPTION CODE	DIM.'A'
VS2	11.68 0.46
VS3	16 0.63



1AD1T2B4VS3RE

CONTACT MATERIAL OPTIONS

Q:

FIXED TERMINAL: Gold over Silver plated, copper alloy
 MOVING CONTACT: Gold over Silver plated, copper alloy
 RATING: 5 Amps with resistive load @120V AC or 28V DC
 2 Amps with resistive load @250V AC

R:

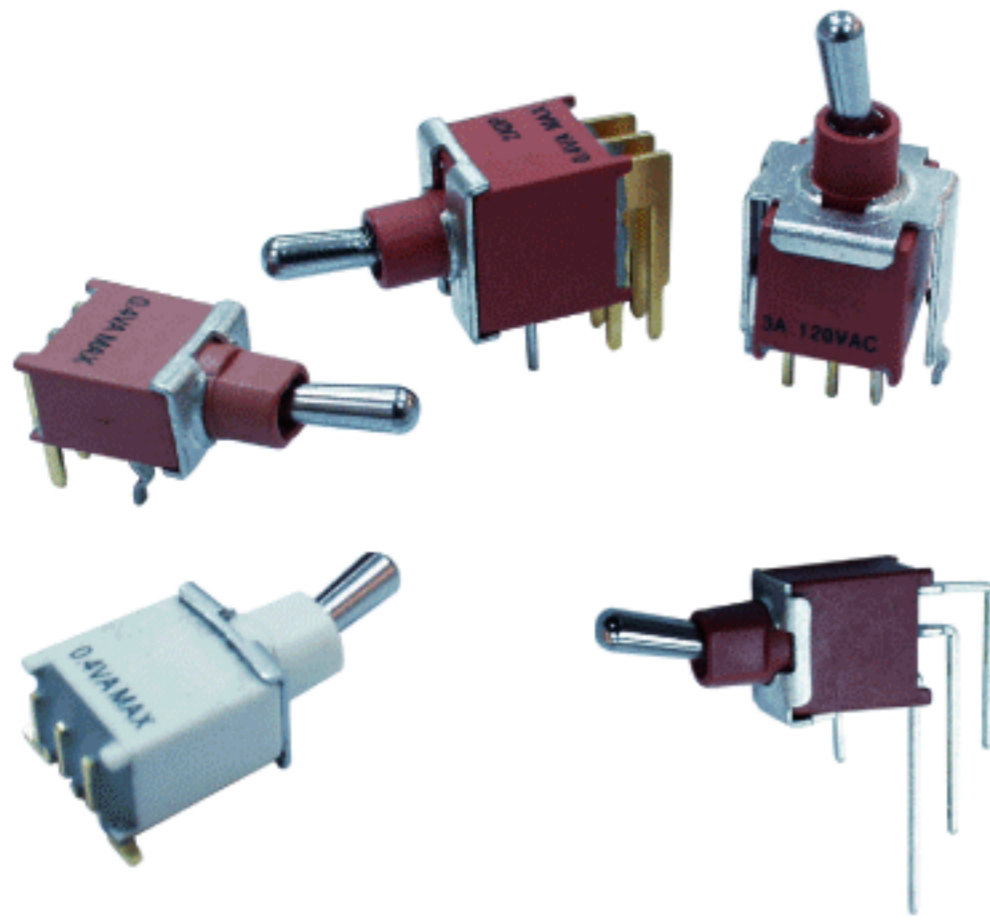
FIXED TERMINAL : Gold over Nickel plated, copper alloy
 MOVING CONTACT: Gold over Nickel plated, copper alloy
 RATING: 0.4 Volt-Amps(VA)max.@20Vmax.
 (AC or DC)

HOW TO ORDER

MODEL NO.	ACTUATOR (HANDLE)	BUSHING	TERMINAL TYPE	CONTACT & TERMINAL MATERIAL	SEAL
1AS1 SPDT	T1 : 12.7mm	B1 : Thread	M1	Q : Gold over Silver plated	E : Epoxy
1AS2 SPDT	T2 : 7.62mm	1/4-40ns	M2		
1AS3 SPDT		B4 : Non- thread	M6	R : Gold	
1AS4 SPDT			M7		
1AS5 SPDT			VS2		
1AD1 DPDT			VS3		
1AD2 DPDT					
1AD3 DPDT					
1AD4 DPDT					
1AD5 DPDT					
1AD6 DPDT					

2A Series Sealed Tiny Toggle Switches IP67 SMD Type

LICO



SPECIFICATION:

Contact rating	: Silver : 3A 120V AC/28V DC, 1A 250V AC. Gold : 0.4VA, 20V DC Max.
Mechanical life	: 30,000 Make-and-break cycles.
Contact resistance	: 20mΩ Max.initial @2-4V DC. 100mA for both Silver and Gold plated contacts.
Insulation resistance	: 1,000MΩ Min.
Withstand voltage	: 1,000V RMS @ sea level.
Operating temperature	: -30°C ~ +85°C.

MATERIALS:

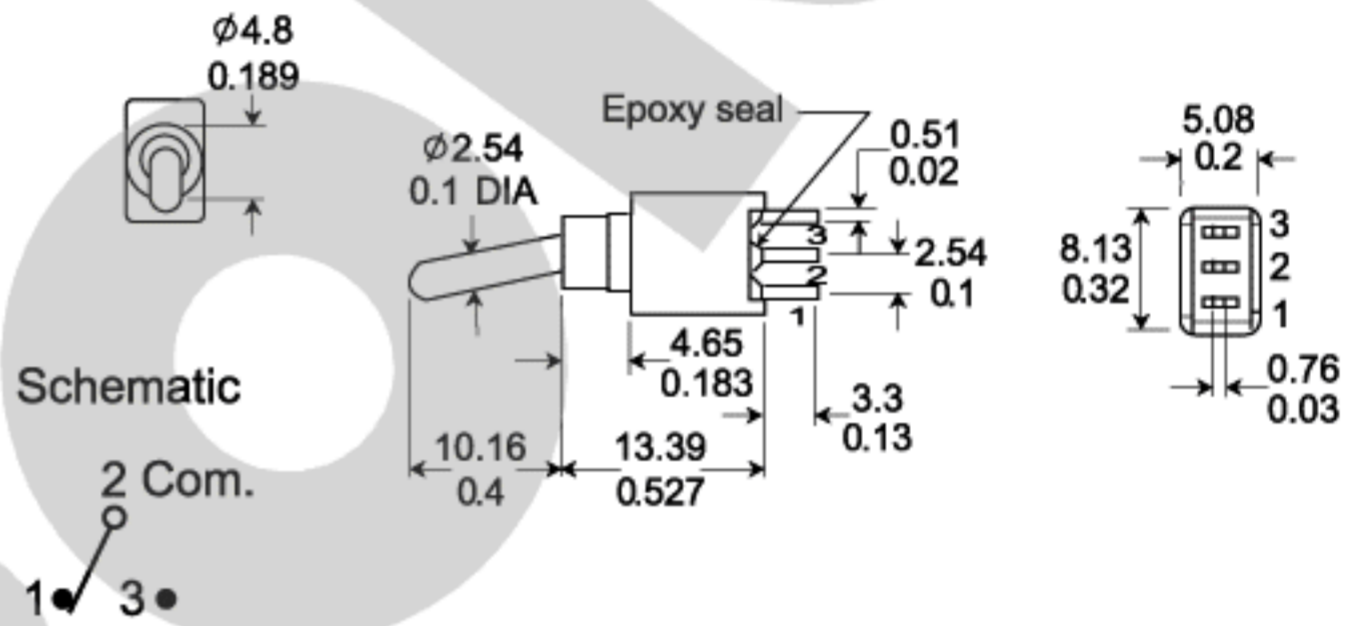
Case & Bushing	: Glass filled NYLON 66, flame retardant, heat stabilized. (UL94V-0)
Actuator	: Brass, chrome plated, with internal O-ring seal.
Switch support	: Brass or Steel, Tin plated.
Contact	: Silver or Gold plated Copper alloy.

(ON): MOMENTARY

SPDT

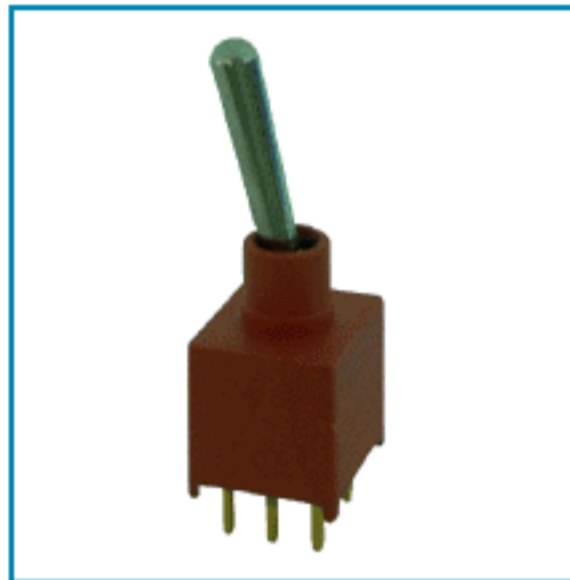


MODEL NO.	TYPE		
2AS1	ON		ON
2AS2	ON		(ON)
2AS3	ON	OFF	ON
2AS4	(ON)	OFF	(ON)
2AS5	ON	OFF	(ON)
Term. Comm.	2 - 3	OPEN	2 - 1

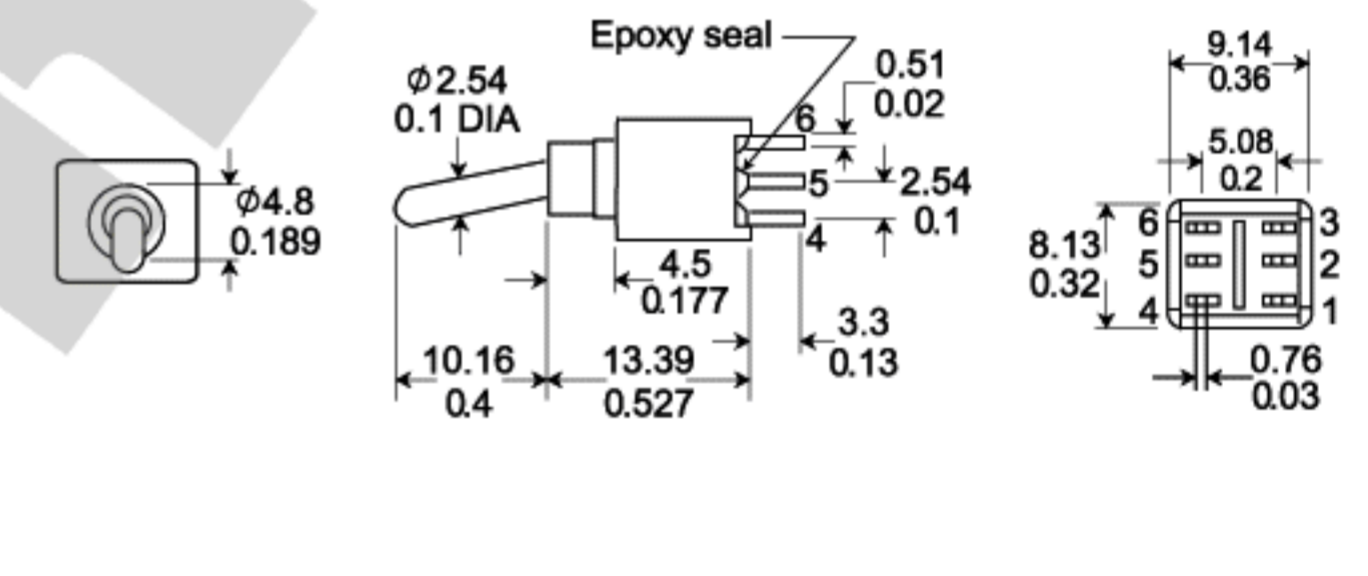


2AS1T1A1M2QE

DPDT



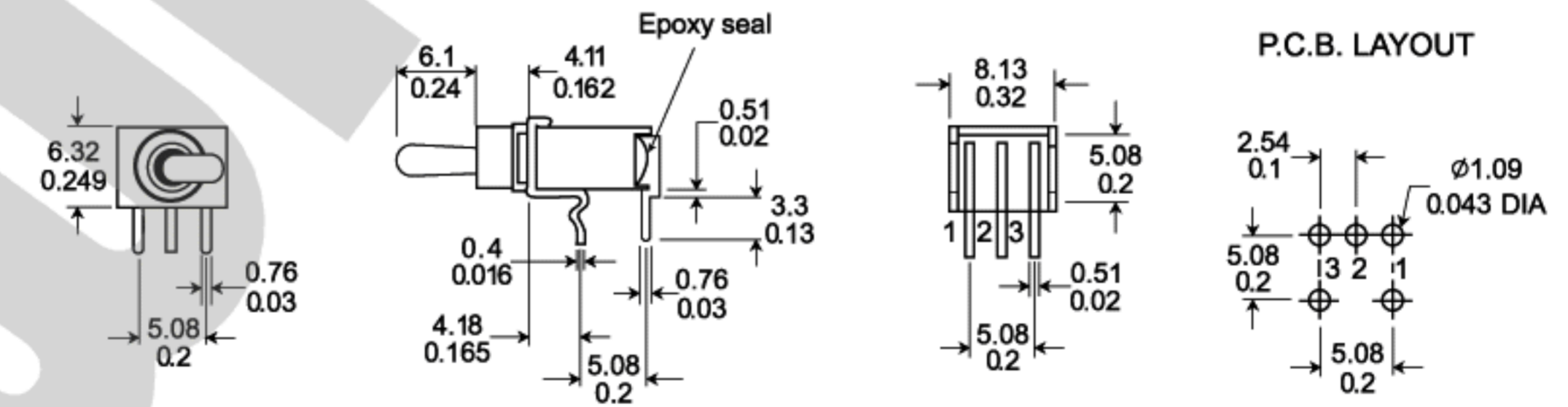
MODEL NO.	TYPE		
2AD1	ON		ON
2AD2	ON		(ON)
2AD3	ON	OFF	ON
Term. Comm.	2 - 3 5 - 6	OPEN	2 - 1 5 - 4



2AD1T1A2M2RE

SPDT

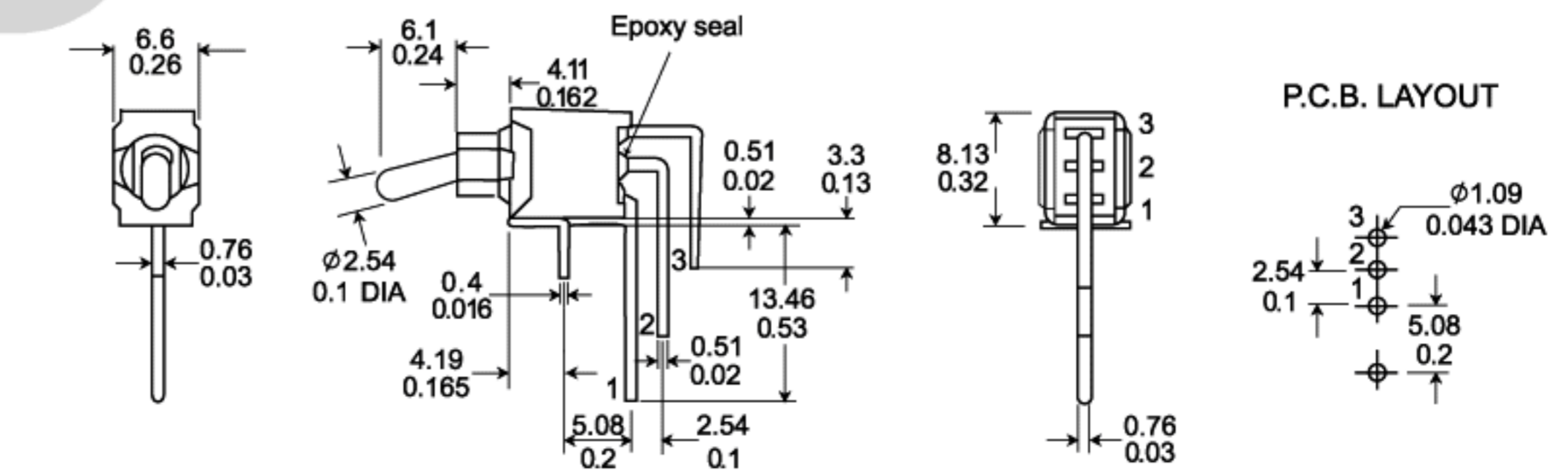
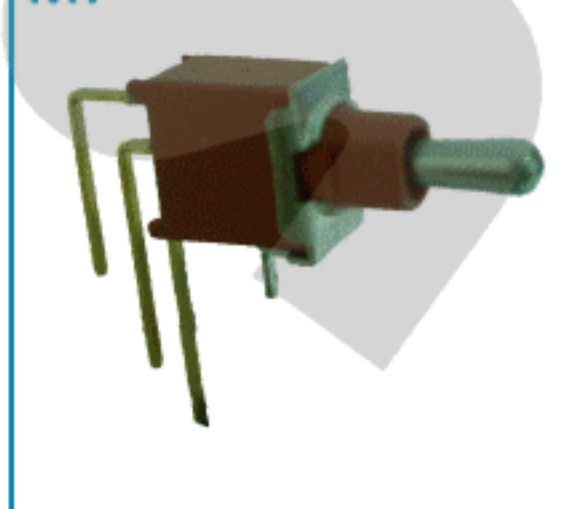
M6N (kink pin)



2AS1T2A1M6NRE

SPDT

M7



2AS3T2A1M7RE

LICO

LICO Electronics www.bauelemente.at

B20

office@lico.at

office@lico.hu

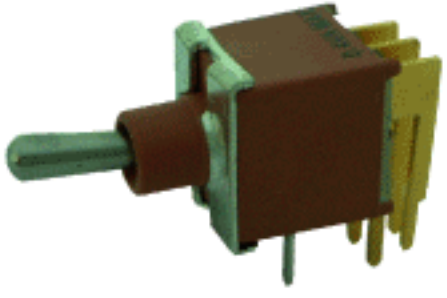
office@lico.ro

2A Series Sealed Tiny Toggle Switches IP67 SMD Type

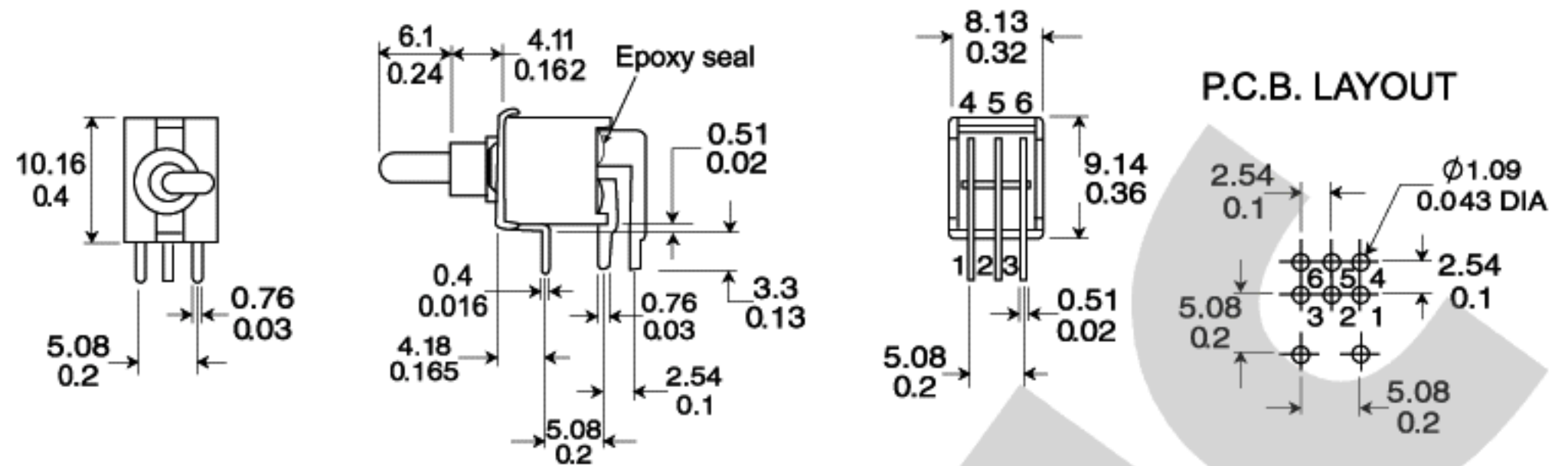
LICO

DPDT

M6

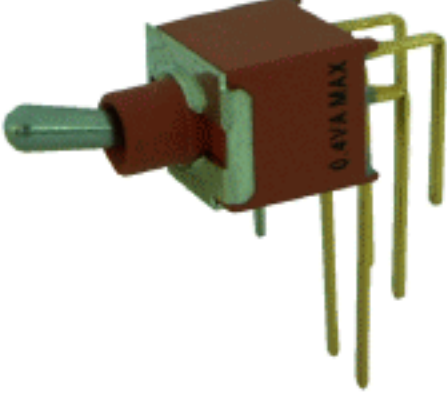


2AD1T1A2M6RE

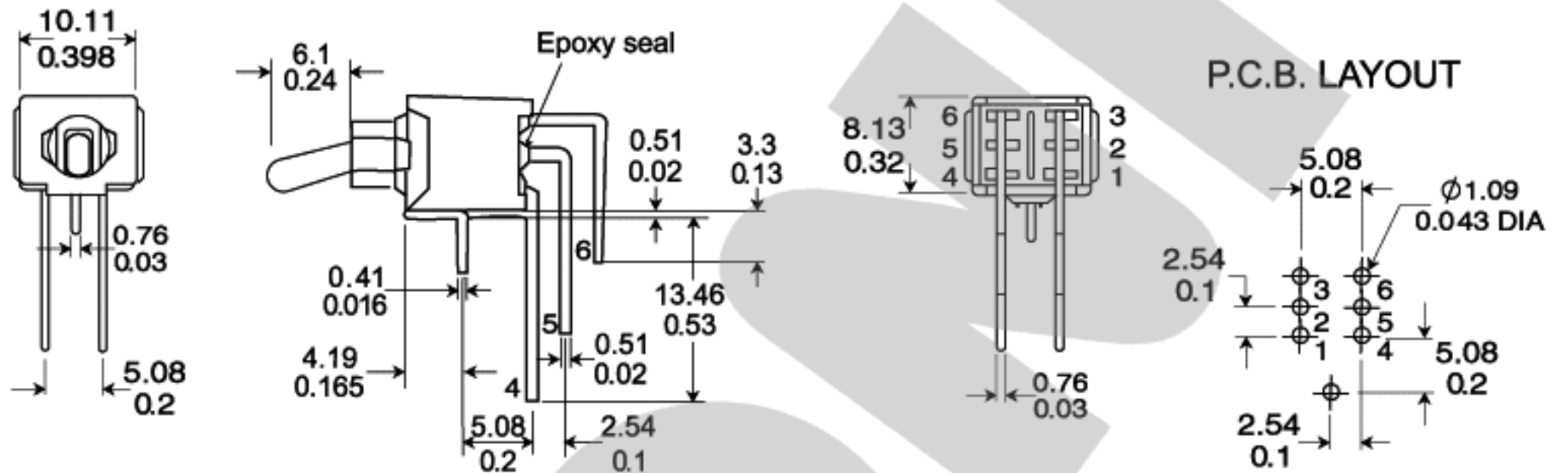


DPDT

M7



2AD1T2A2M7RE

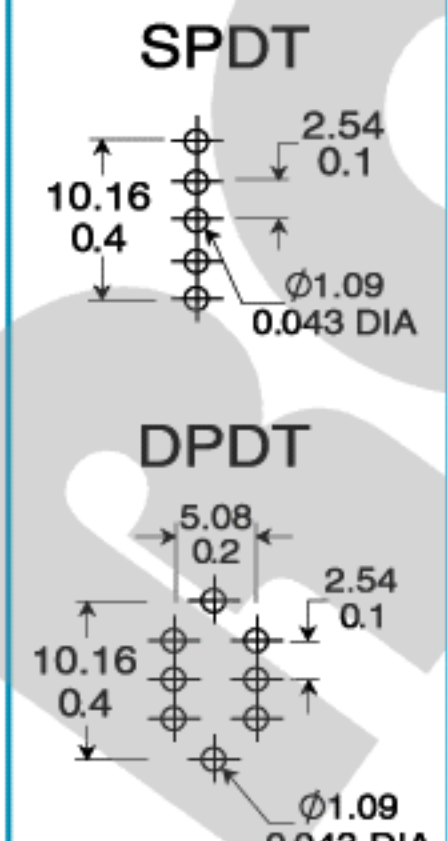
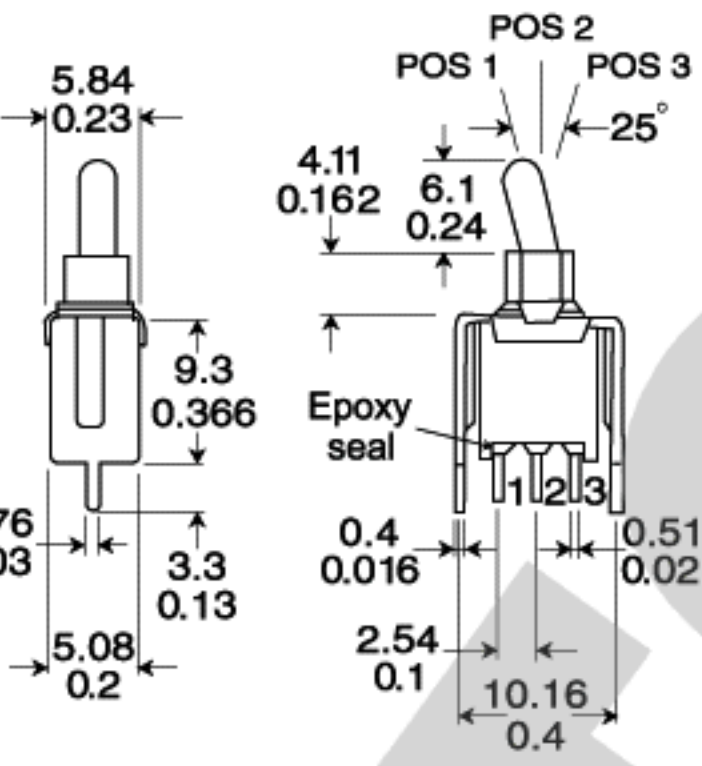


SPDT

VS2




2AS1T1A1VS2RE

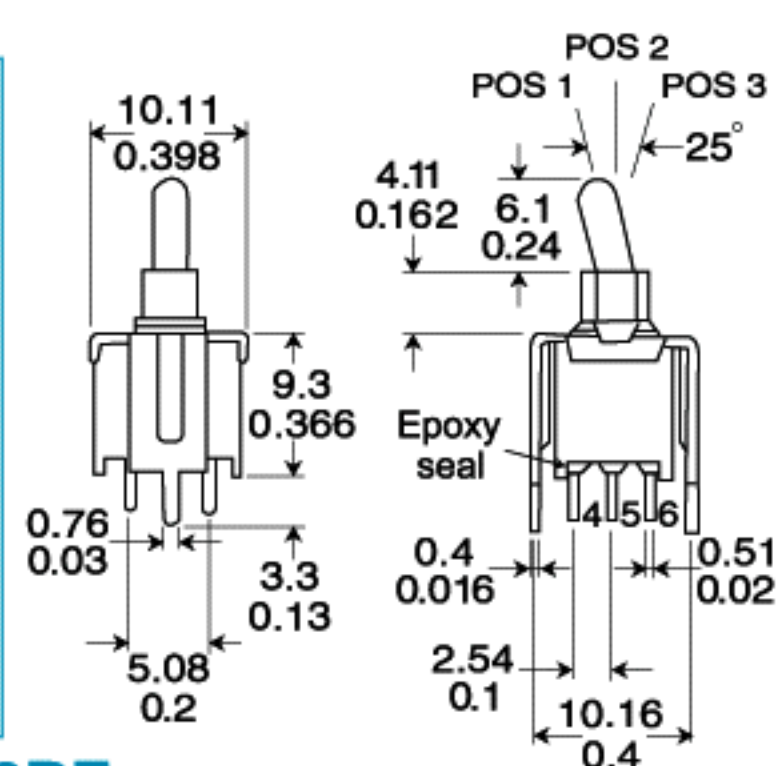


DPDT

VS2




2AD1T1A2VS2RE

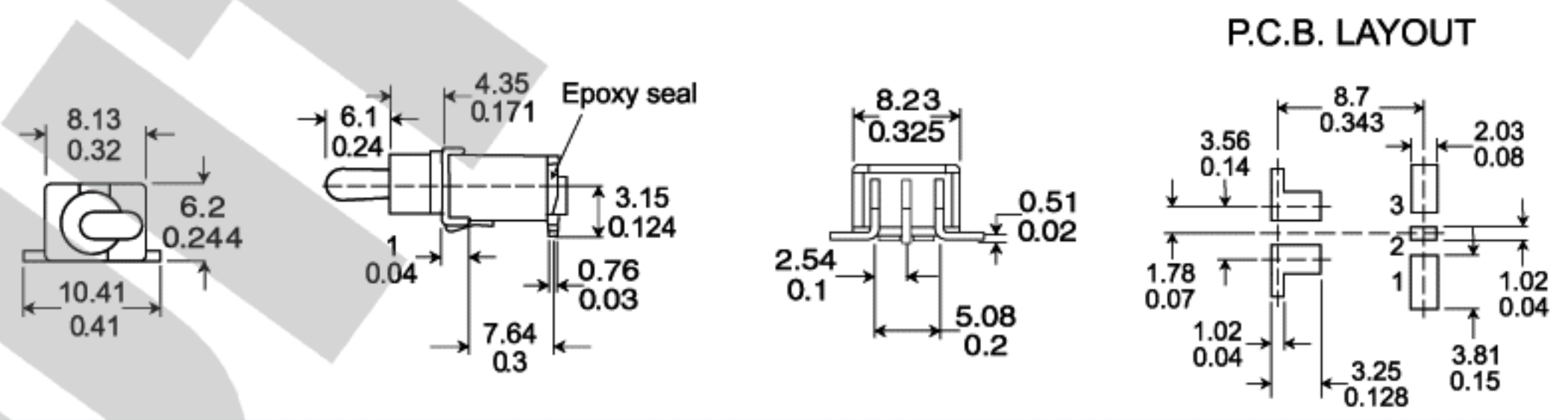


SPDT

SMD



2BS1T2A1MTRE



HOW TO ORDER

MODEL NO.	ACTUATOR (HANDLE)	BUSHING	TERMINAL TYPE	CONTACT & TERMINAL MATERIAL	SEAL
2AS1 SPDT	✳ T1 : 10.16mm	A1 for SPDT	M2	Q : Silver	E : Epoxy
2AS2 SPDT	✳ T2 : 6.10mm	A2 for DPDT	M6	3A 120V, 1A 250V	
2AS3 SPDT	T3 : 8.13mm		M6N	R : Gold	
2AS4 SPDT	T4 : 13.97mm		M7	0.4 VA 20V DC	
2AS5 SPDT	TA : Plastic, anti-static, 10.16 high		VS2		
2AS6 SPDT					
2AD1 DPDT	TB : Plastic, anti-static, 6.10 high				
2AD2 DPDT					
2AD3 DPDT					

