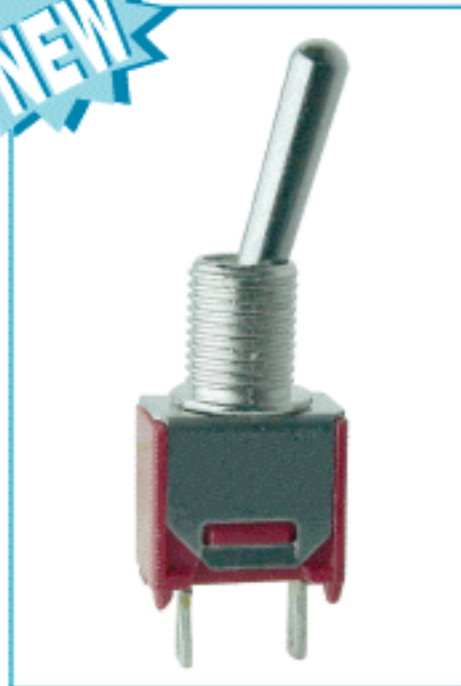


S-100 TS-4 Series Tiny Toggle Switches

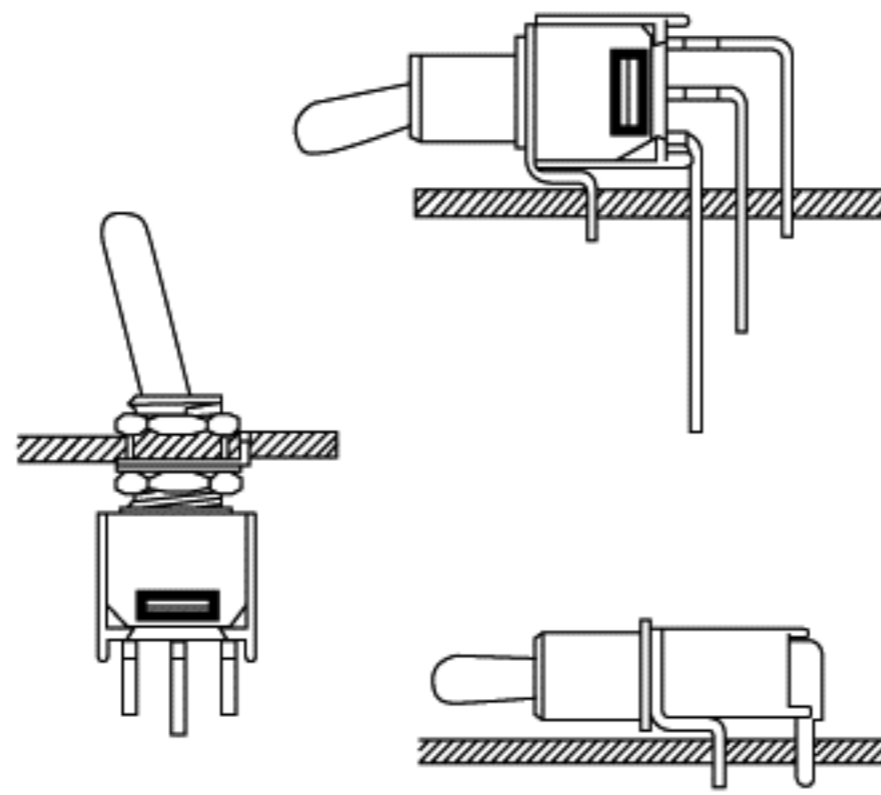


LICO

NEW



S-100 1,3PIN
3A 120V
1.5A 250V



SPECIFICATION:

Contact rating	: 3A 120V AC, 28V DC or 0.4VA
Mechanical life	: 30,000 Make-and-break cycles.
Contact resistance	: 20mΩ Max. initial @ 2-4V DC, 100mA for both coin silver and gold plated contacts.
Insulation resistance	: 1,000MΩ Min.
Withstand voltage	: 1,000 RMS @ sea level.
Operating temperature	: -30°C ~ +85°C

MATERIALS:

Case : Dially phthalate (DAP)
 Toggle handle : Brass, Nickel plated.
 Housing : Stainless Steel.
 Terminal / Switch support : Brass electro Tin plated.
 Contacts : Coin Silver, Silver plated, or Gold plated.
 Center Contact & Terminals : Brass, Silver plated, or Gold plated.

TS COLOR CAP

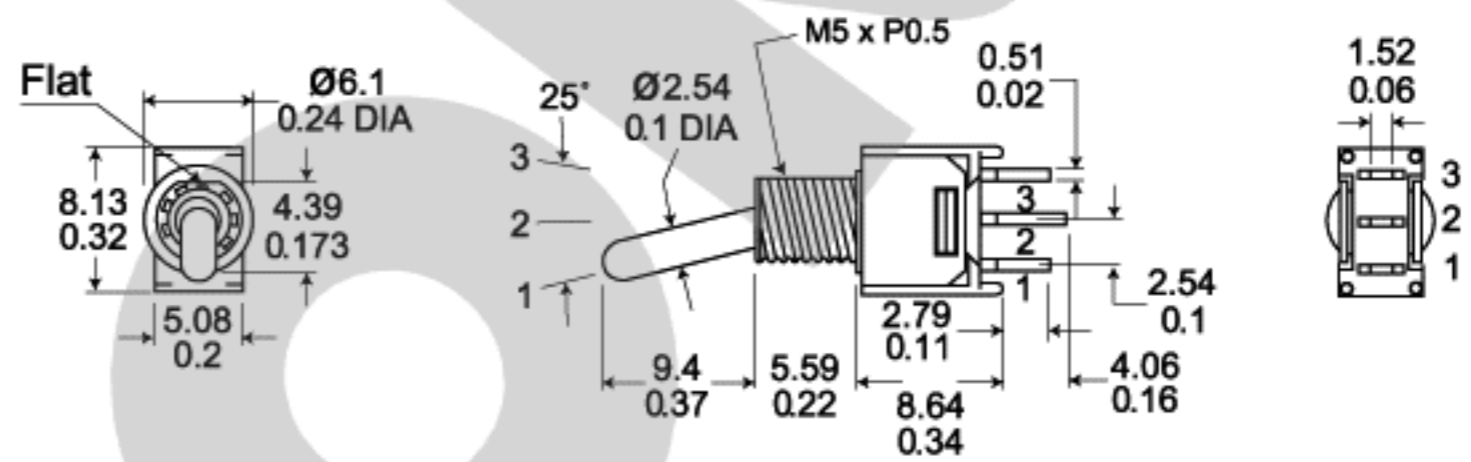
SPDT



TS-41BSTQ, S-100

MODEL NO.	SWITCHING POSITION		
TS - 40	ON		OFF
TS - 41	ON		ON
TS - 42	ON		(ON)
TS - 43	ON	OFF	ON
Term. Comm.	2 - 3	OPEN	2 - 1

Schematic



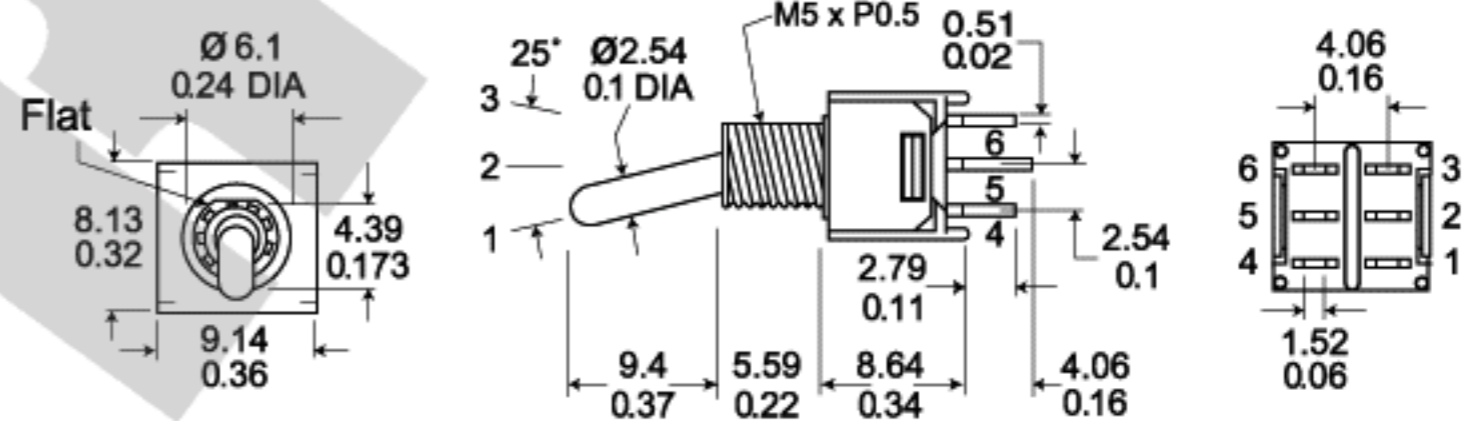
DPDT



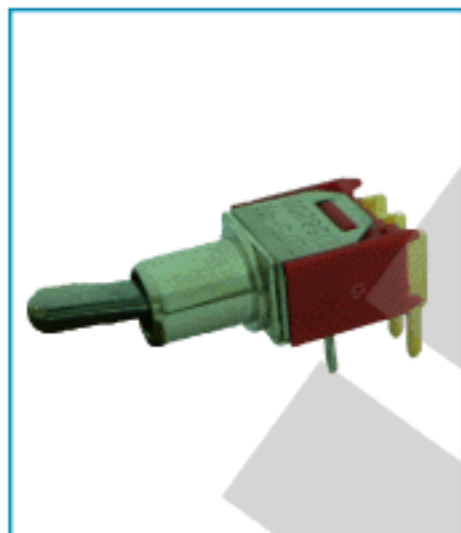
TS-51BSTQ

MODEL NO.	SWITCHING POSITION		
TS - 50	ON		OFF
TS - 51	ON		ON
TS - 52	ON		(ON)
TS - 53	ON	OFF	ON
Term. Comm.	2 - 3 5 - 6	OPEN	2 - 1 5 - 4

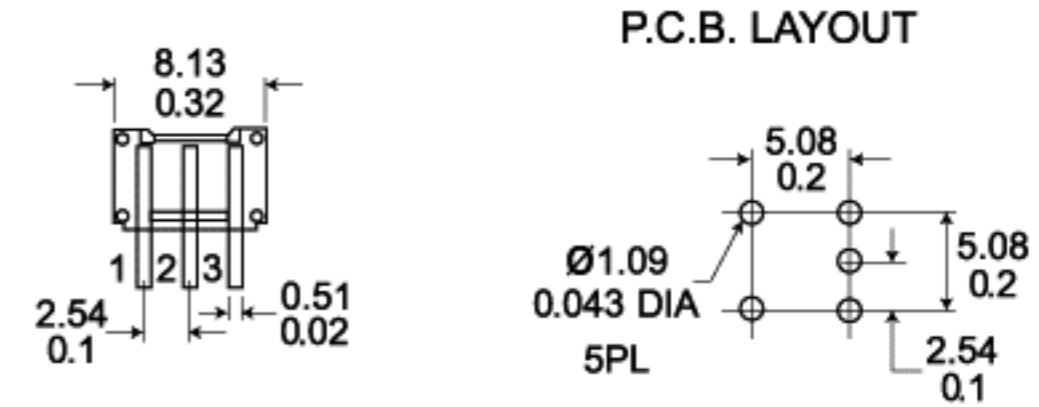
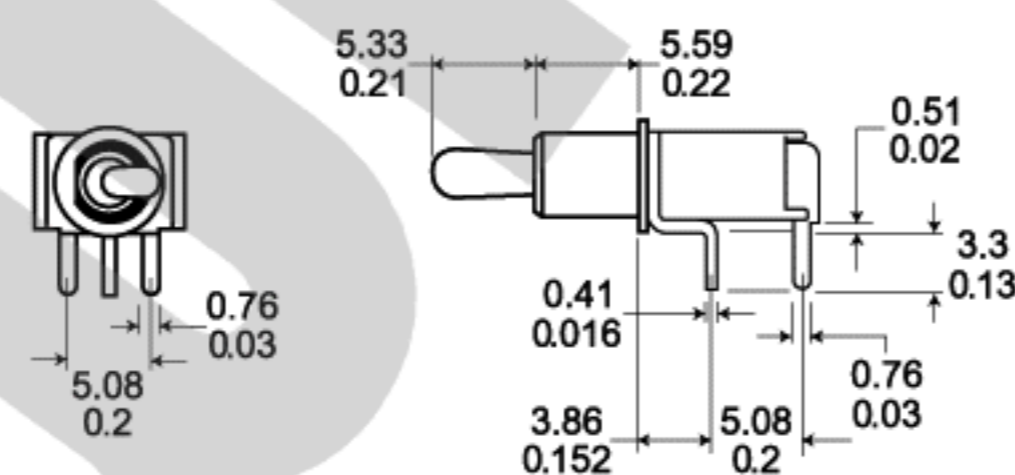
Schematic



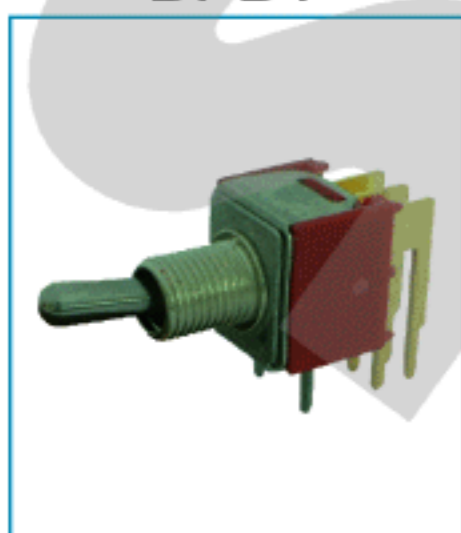
SPDT



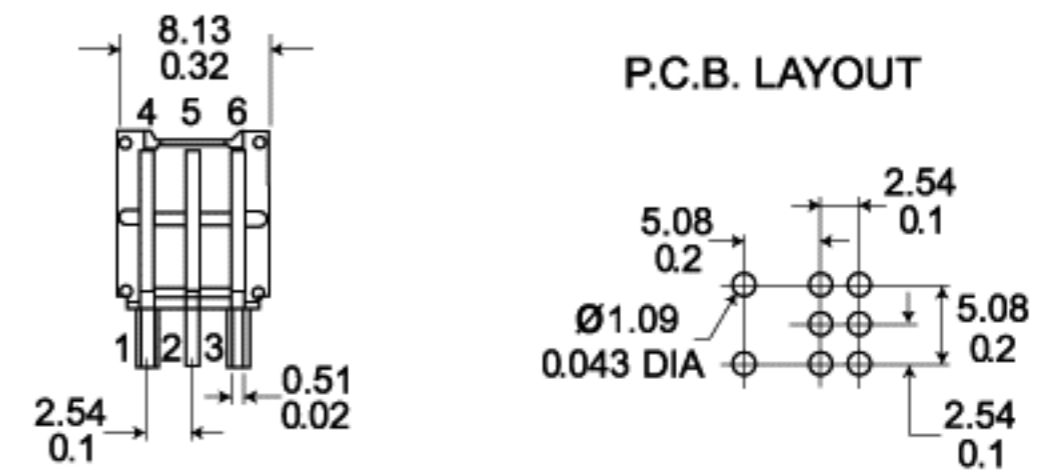
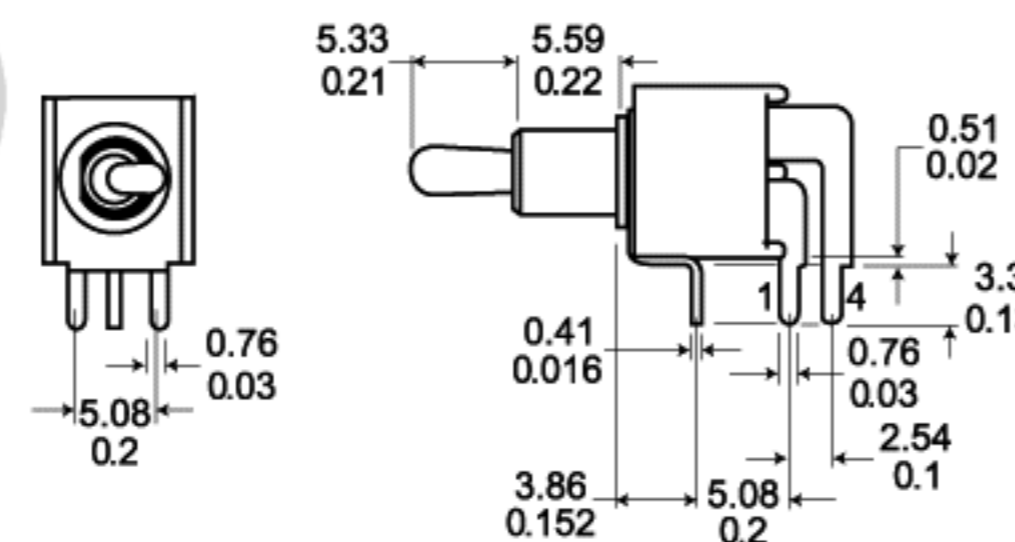
TS-41P



DPDT



TS-51P

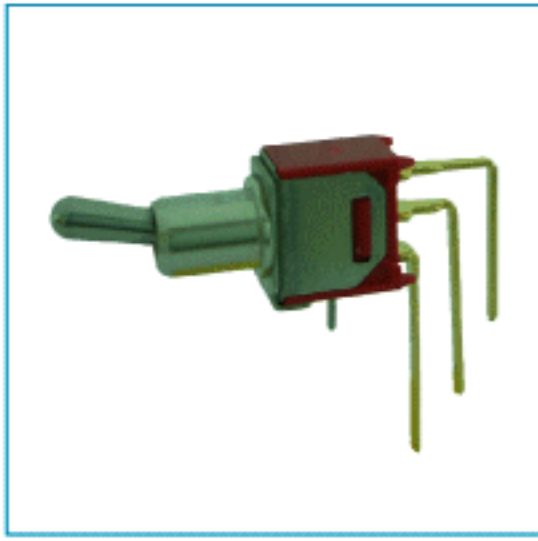


TS-4 Series Tiny Toggle, Tiny Rocker Switches

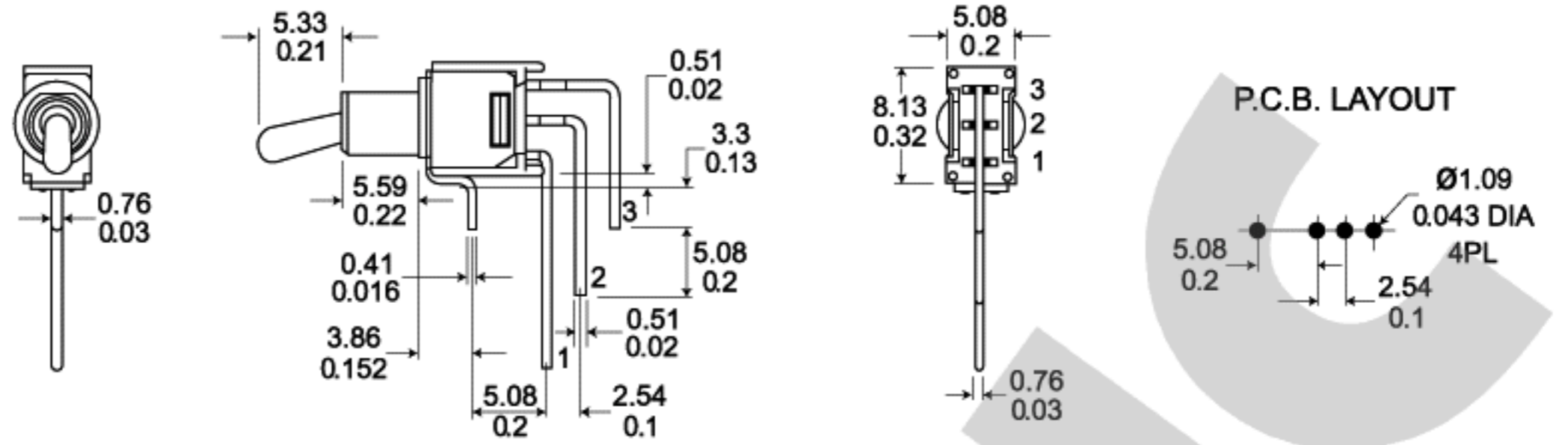


LICO

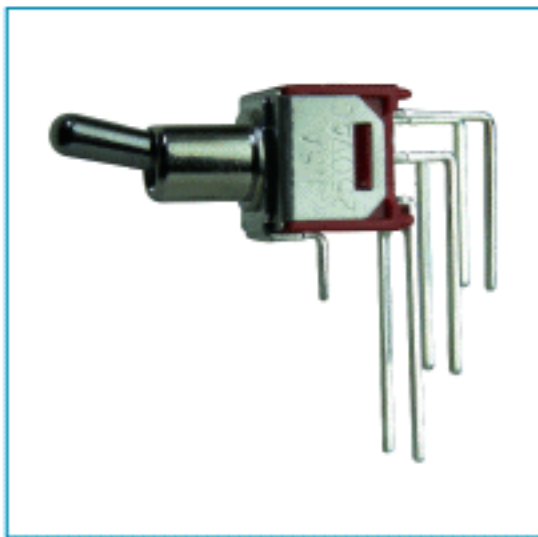
SPDT



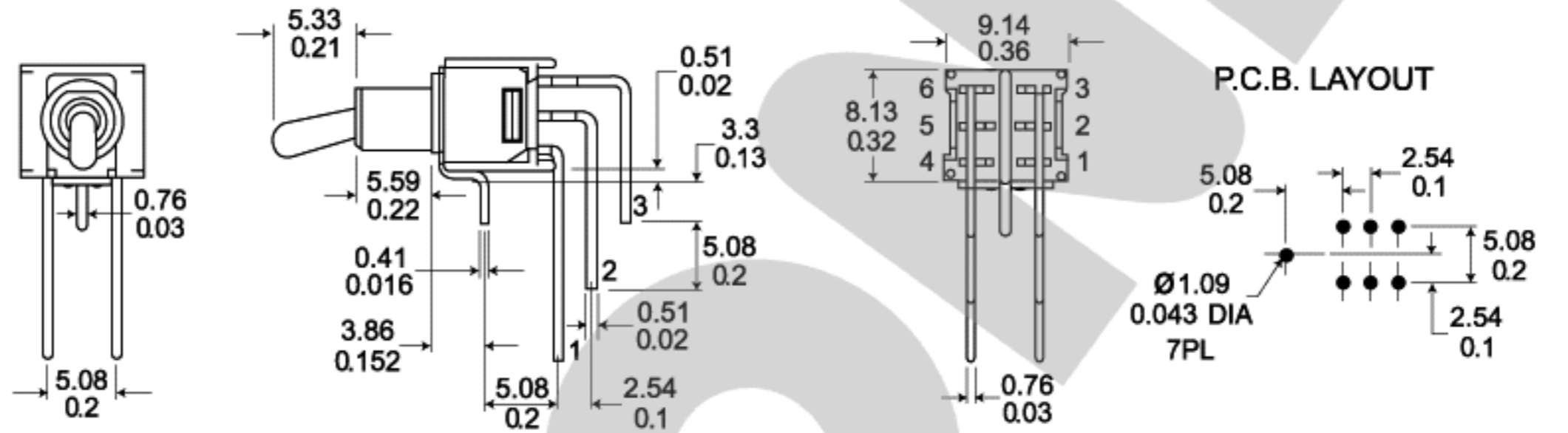
TS-41L



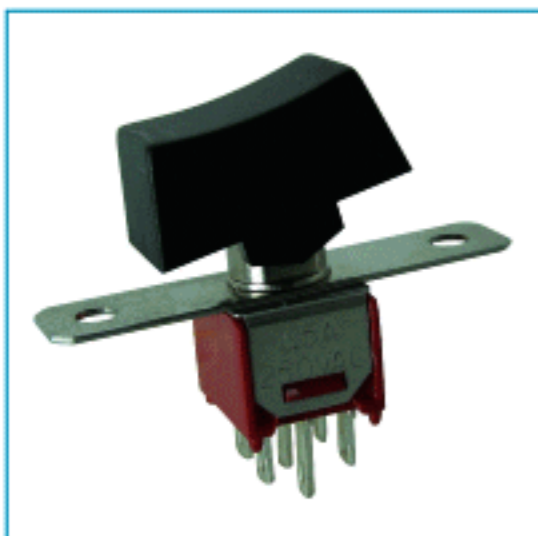
DPDT



TS-51L

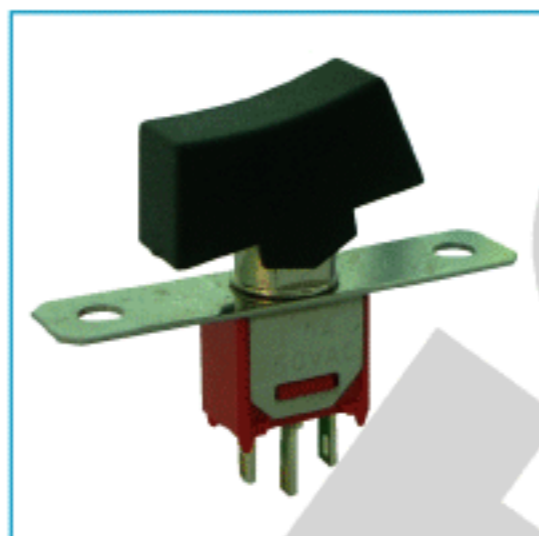


DPDT



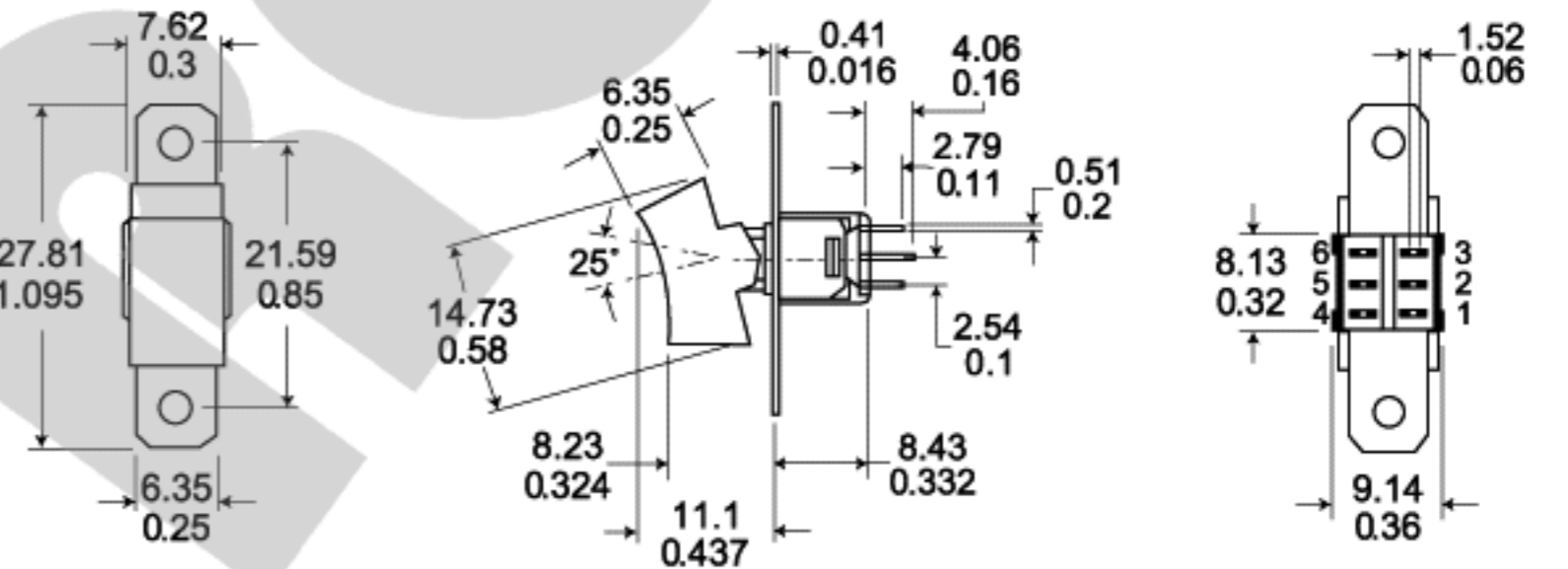
TS-51BR1NQNK

SPDT

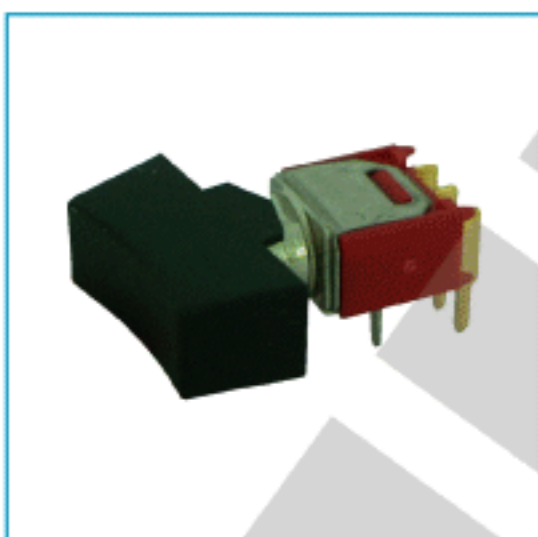


TS-41BR1NQNK

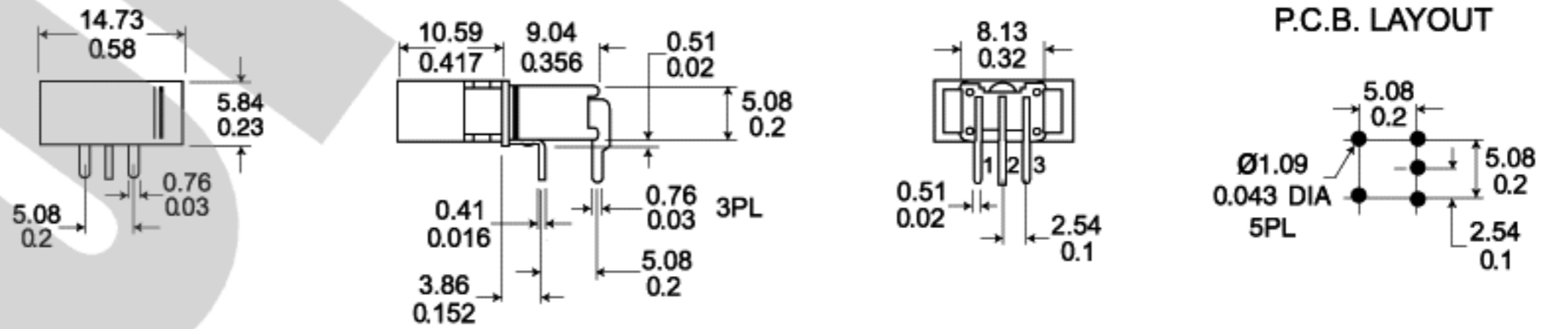
W/ SCREW BRACKET



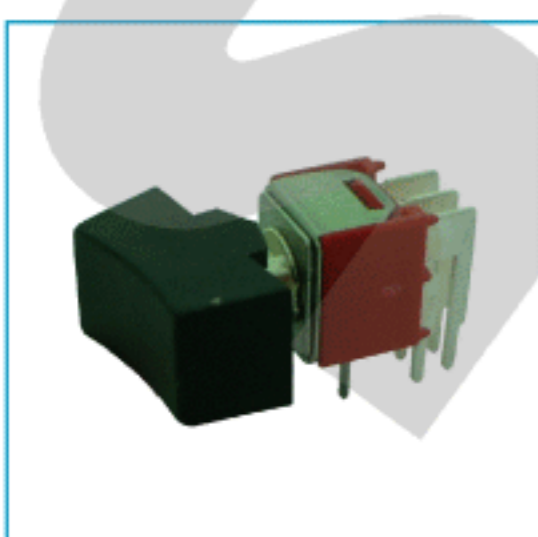
SPDT



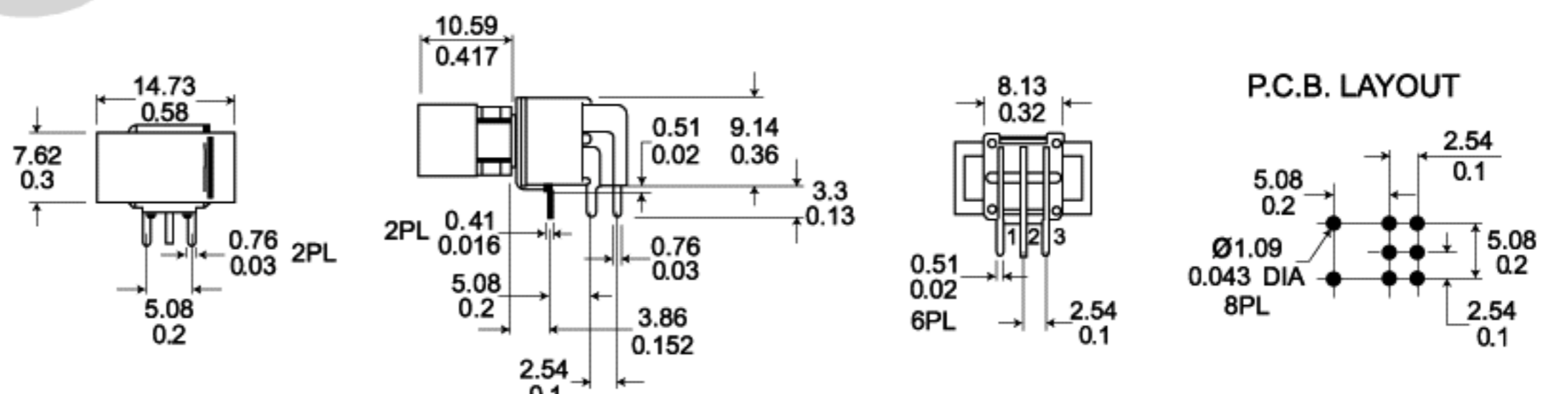
TS-41PR



DPDT



TS-51PR1

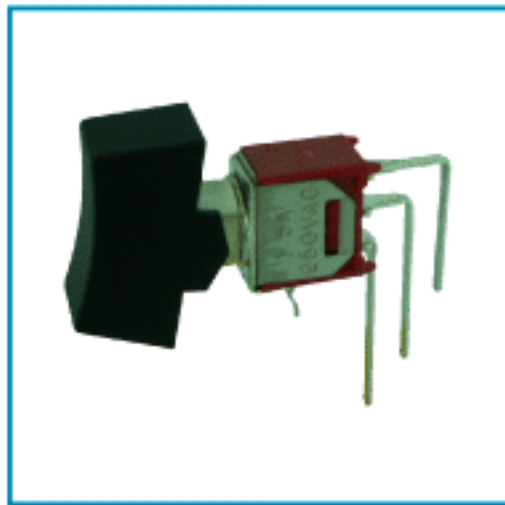


TS-4 Series Tiny Toggle, Tiny Rocker Switches

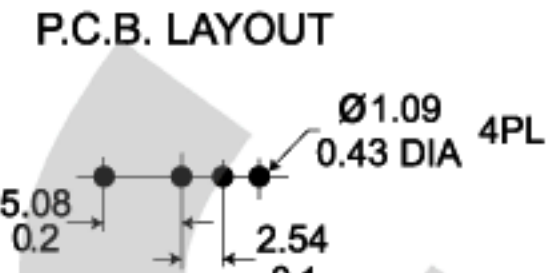
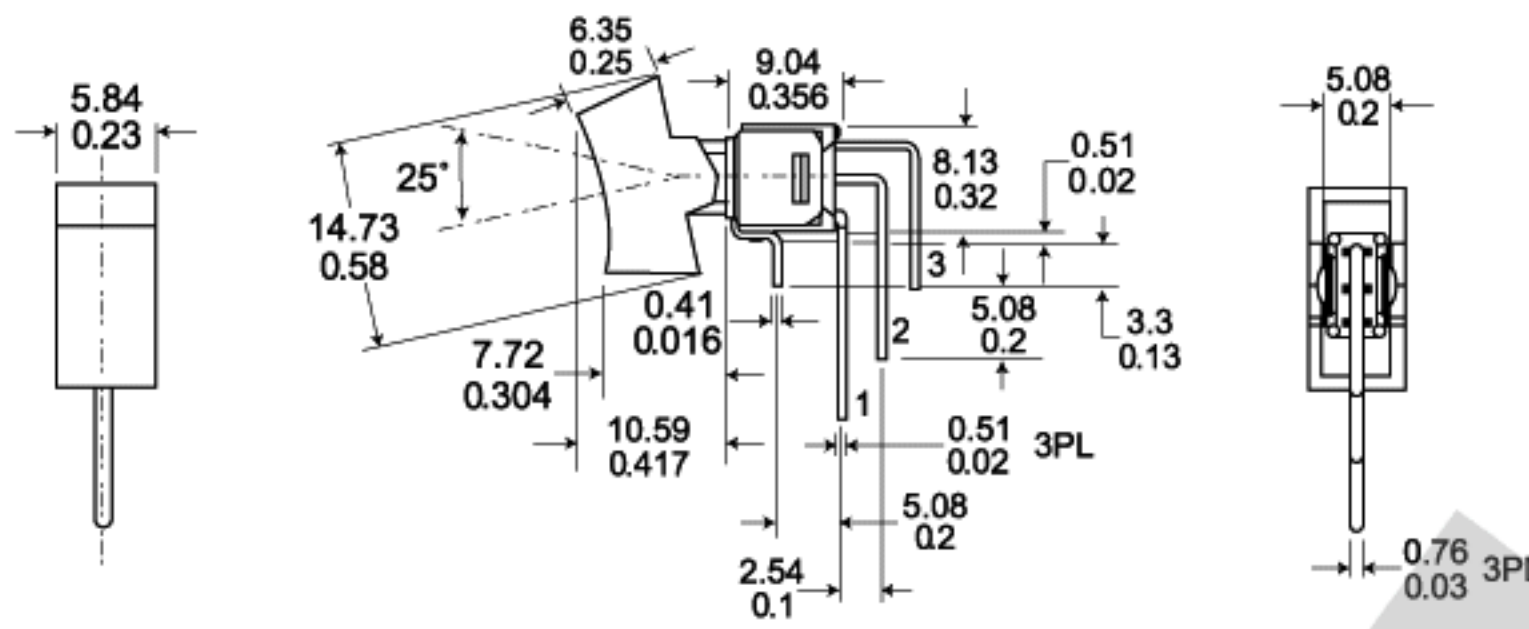


LICO

SPDT



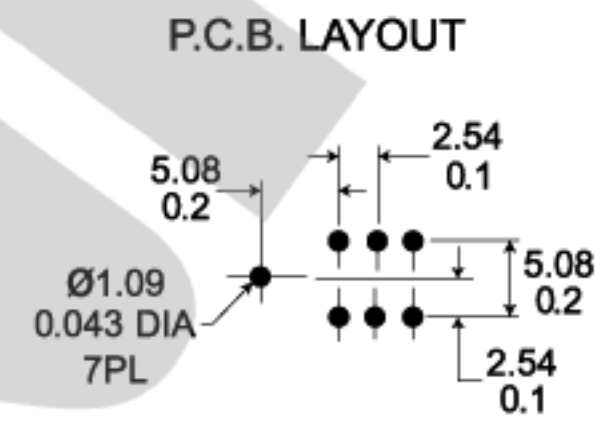
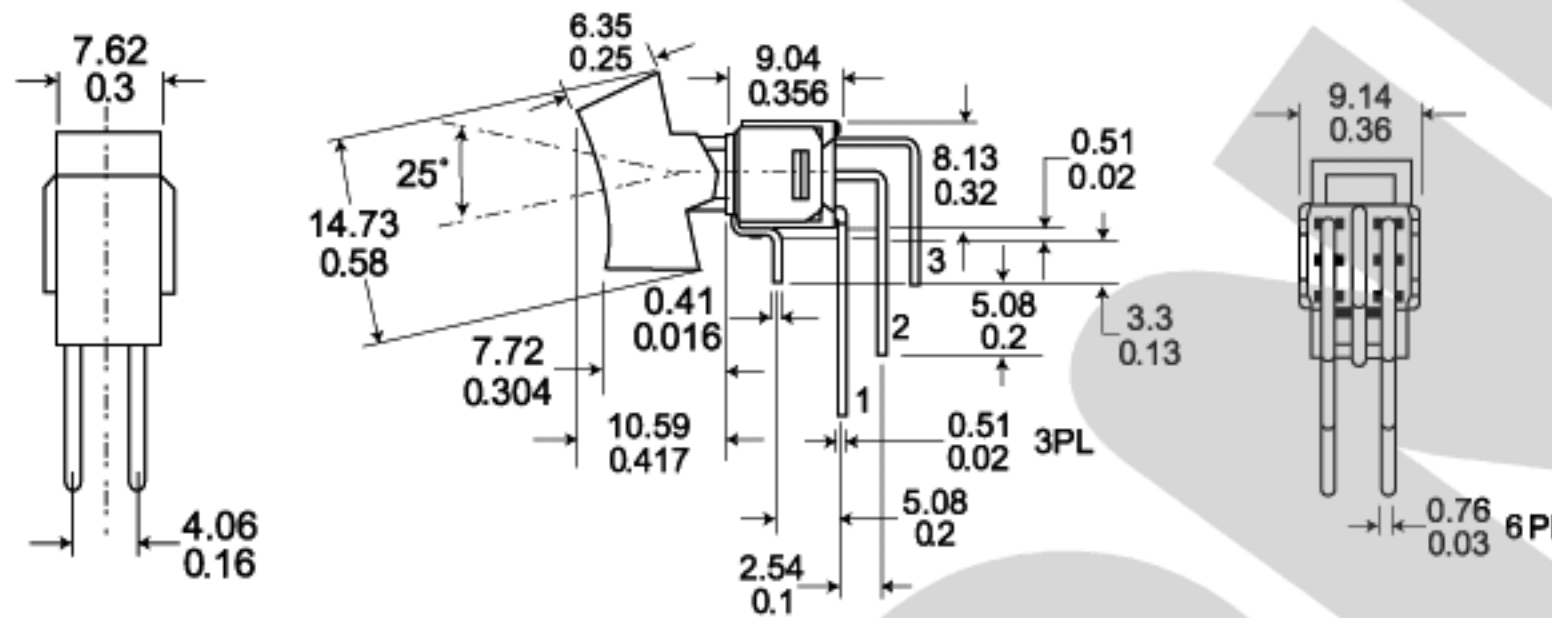
TS-41LRNQN



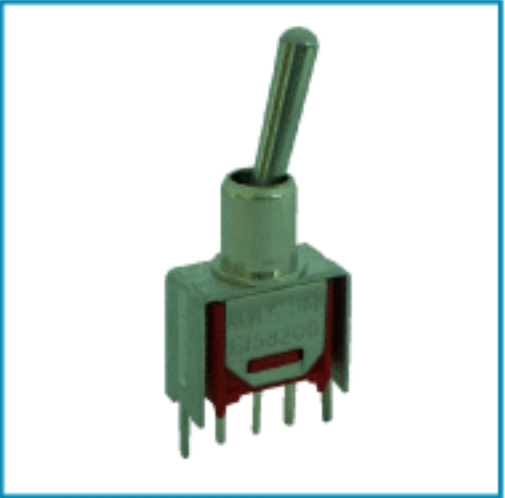
DPDT



TS-51LR1NQN

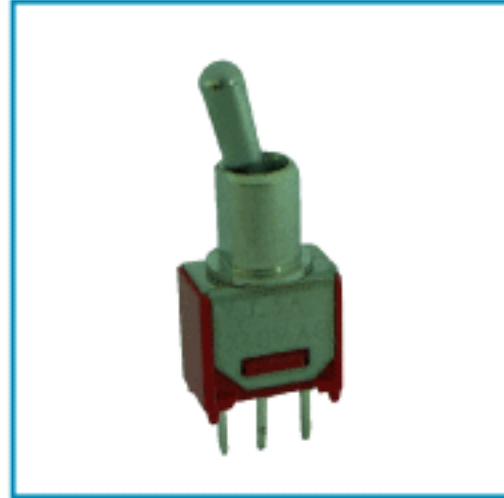


SPDT

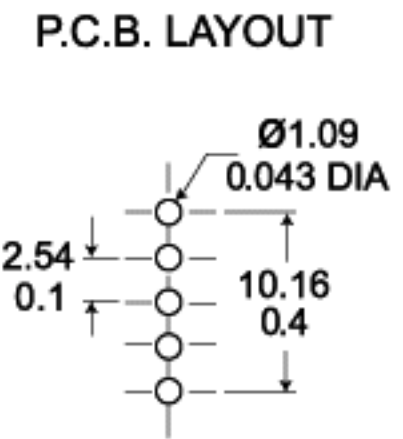
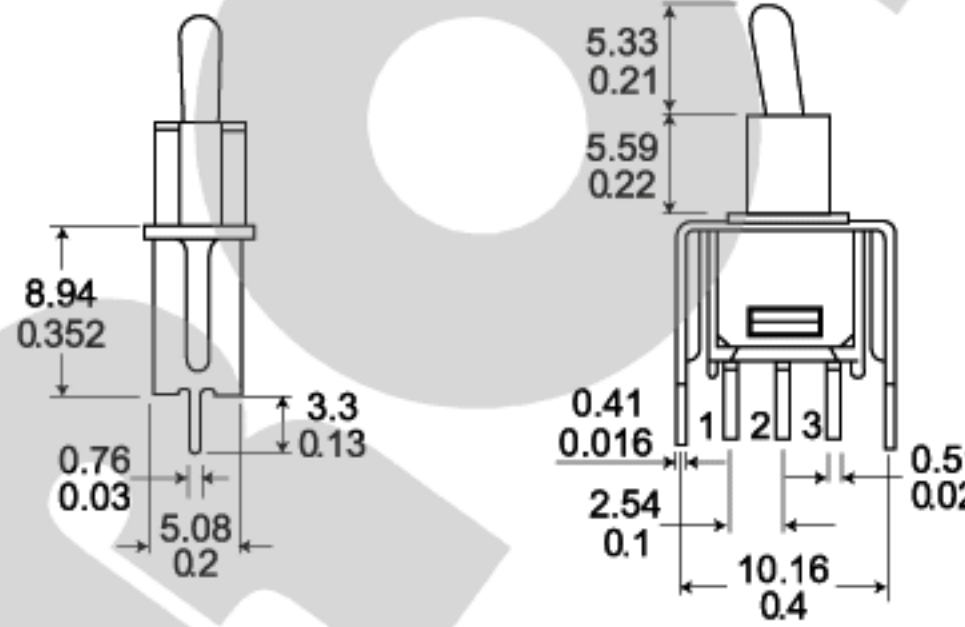


TS-41VSS

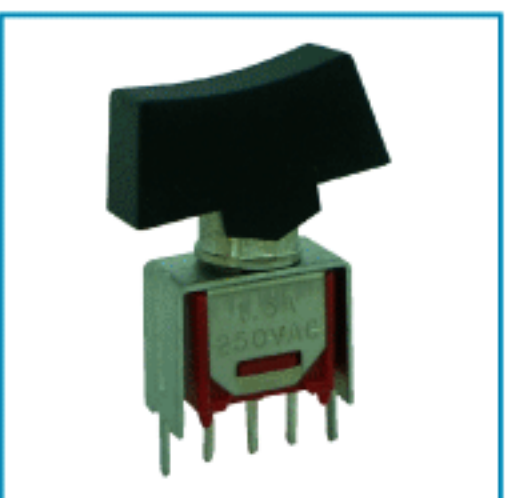
SPDT



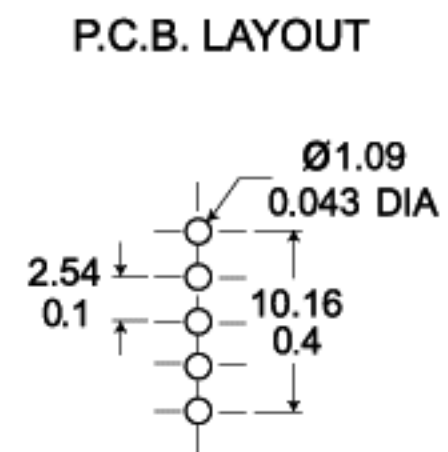
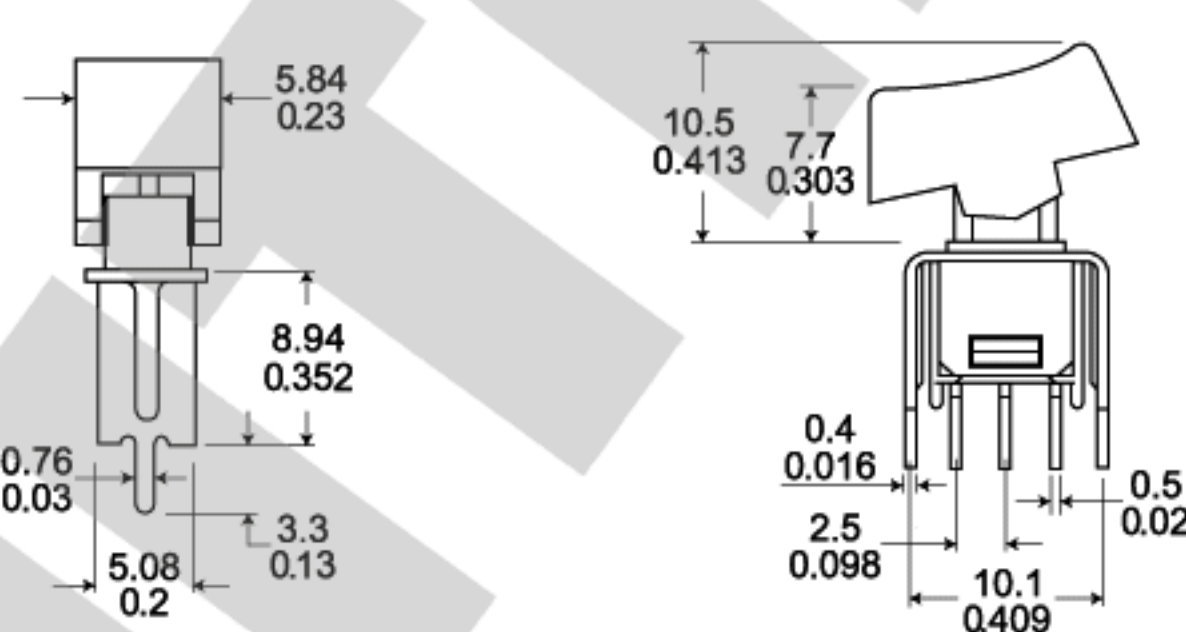
TS-41CTNQ
(W/O SUPPORT)



SPDT

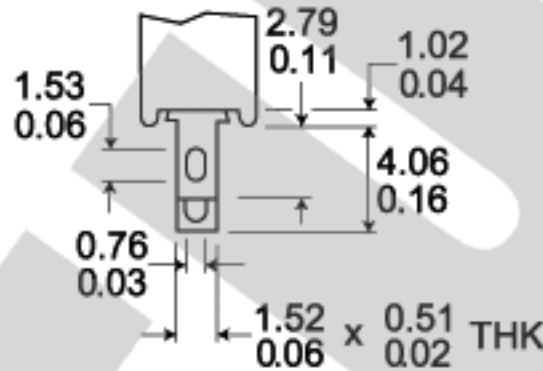


TS-41VSR



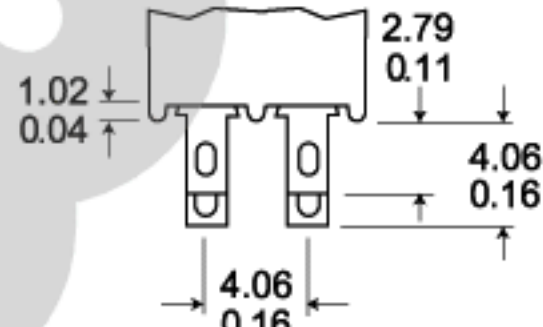
TERMINAL OPTIONS

SPDT

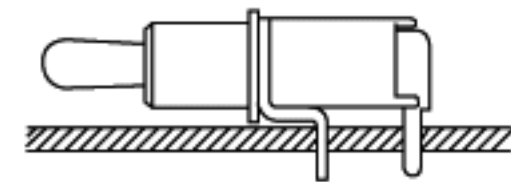


B

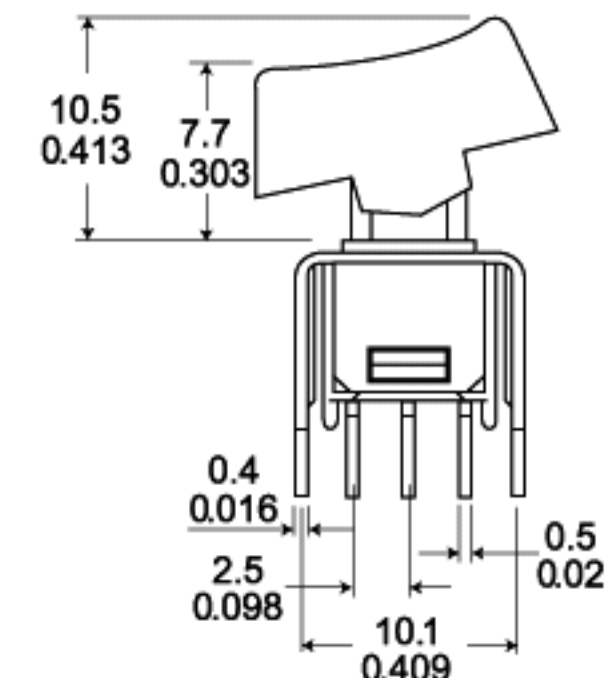
DPDT



B

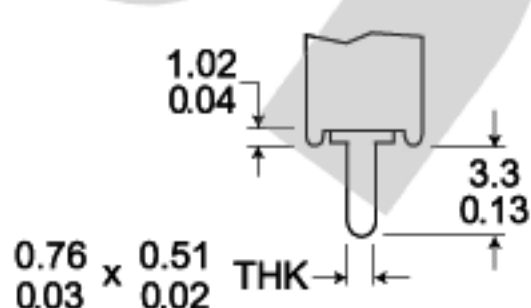


P



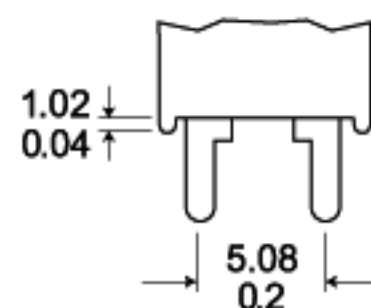
VS

SPDT

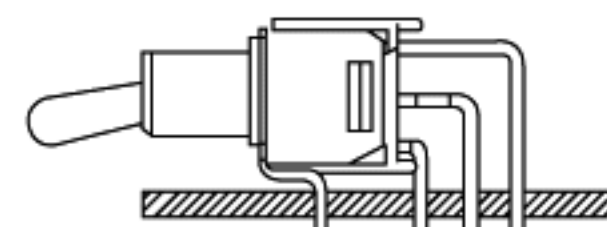


C

DPDT

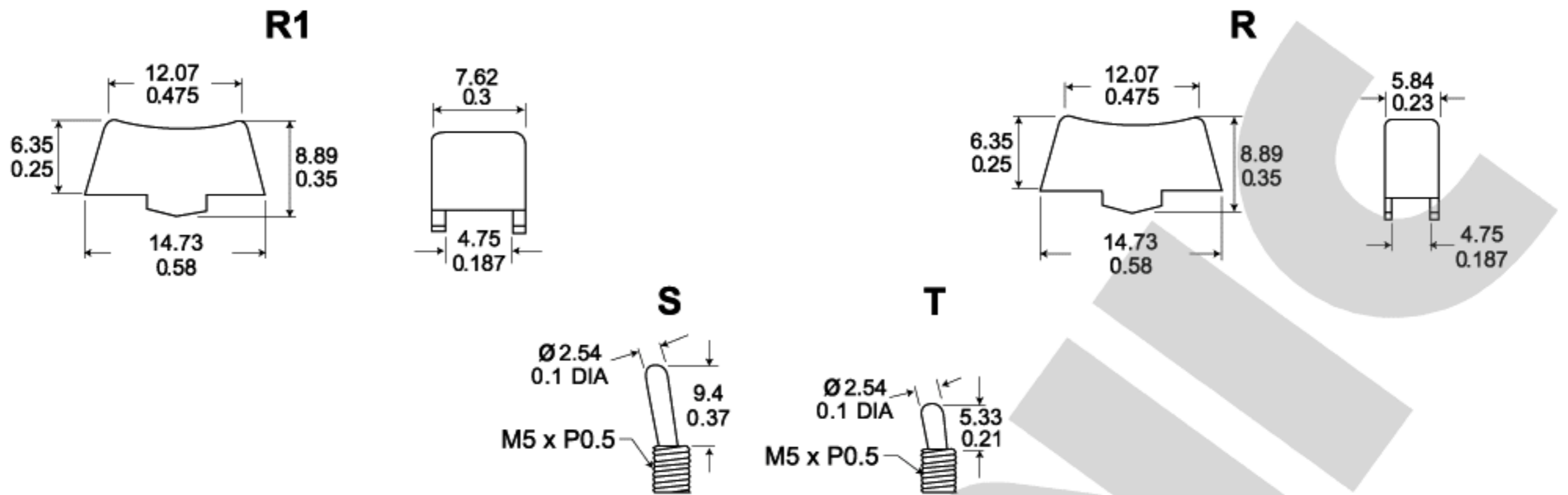


C



L

ACTUATOR OPTIONS



CONTACT MATERIAL

Q : Silver

END CONTACTS : Coin Silver, Silver plated.
 CENTER CONTACT & ALL TERMINAL : Brass, Silver plated.
 RATING : 3A@120V AC or 28V DC; 1.5A@250V AC.

R : Gold

CONTACTS & TERMINALS : Gold over Nickel plated, copper alloy
 RATING : 0.4 VA Max. 20V DC.

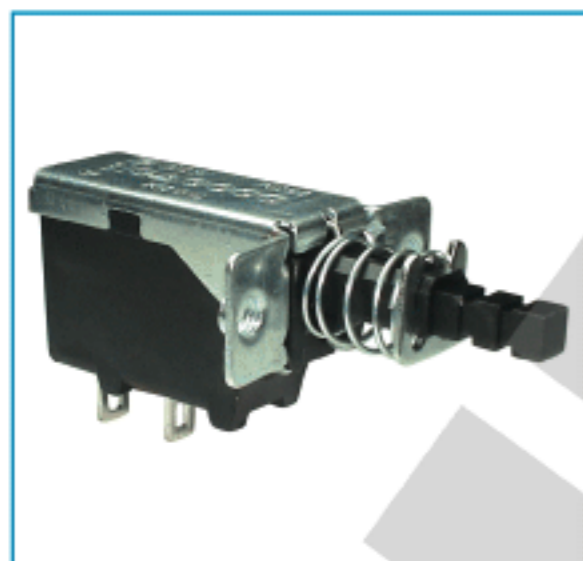
HOW TO ORDER



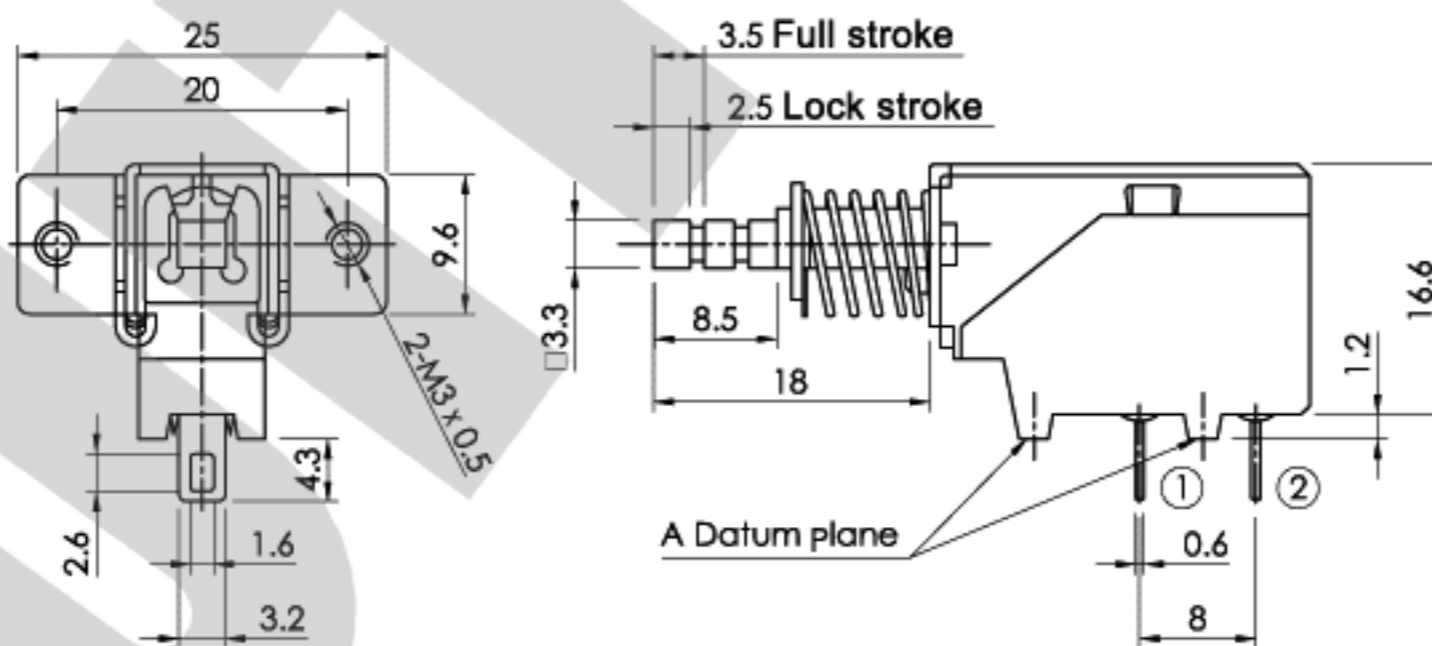
Power Pushbutton Switches



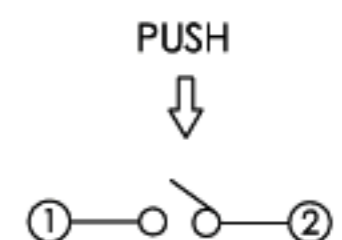
SPST



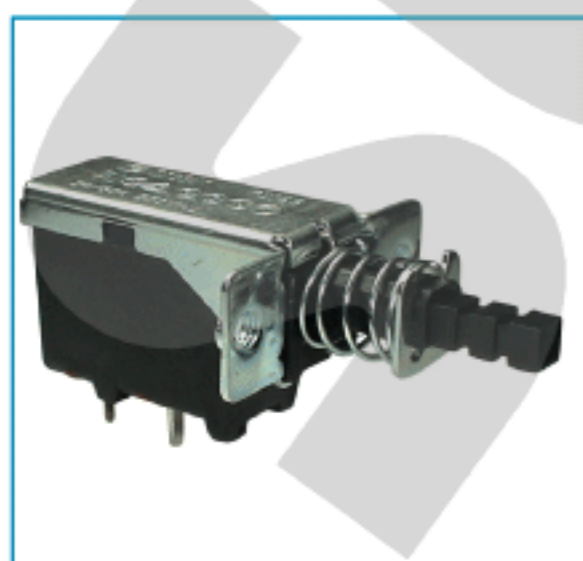
PS168L-N-M
5A 250V AC



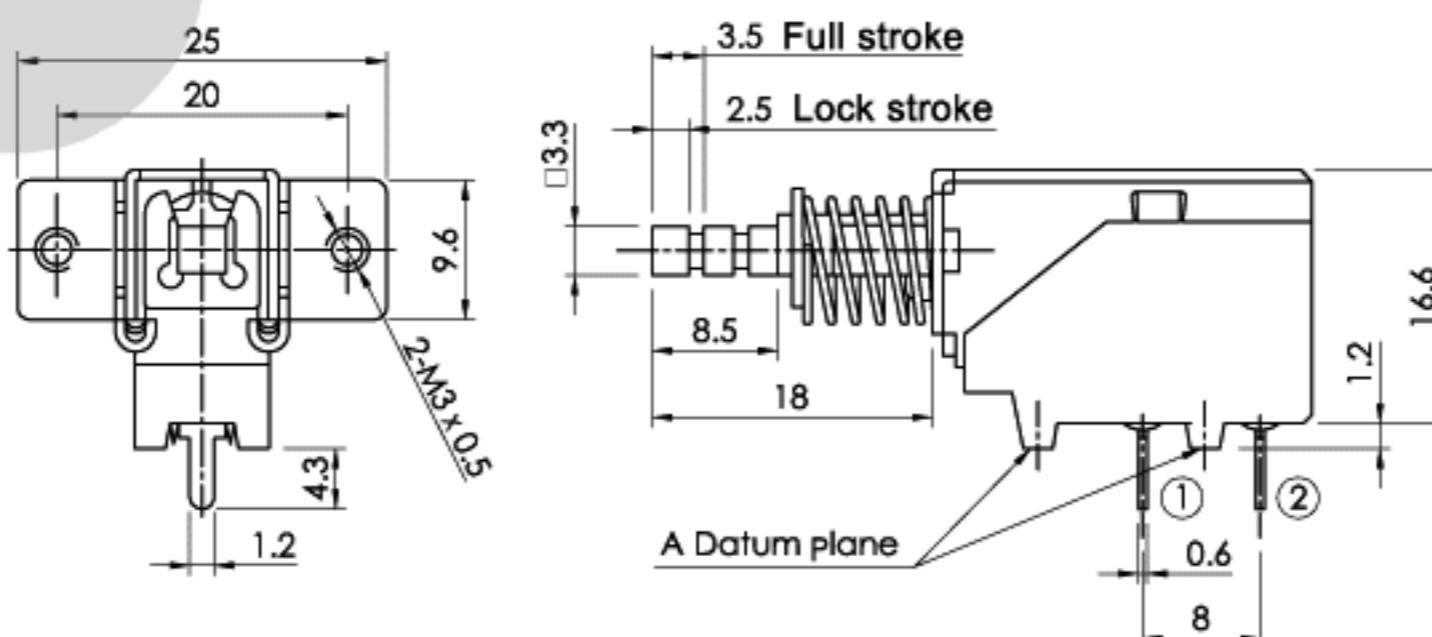
SCHEMATIC



SPST



PS168L-P-M
5A 250V AC



PS168X-X-M

FUNCTION	TERMINAL TYPE
L Lock	N
N Non-Lock	P