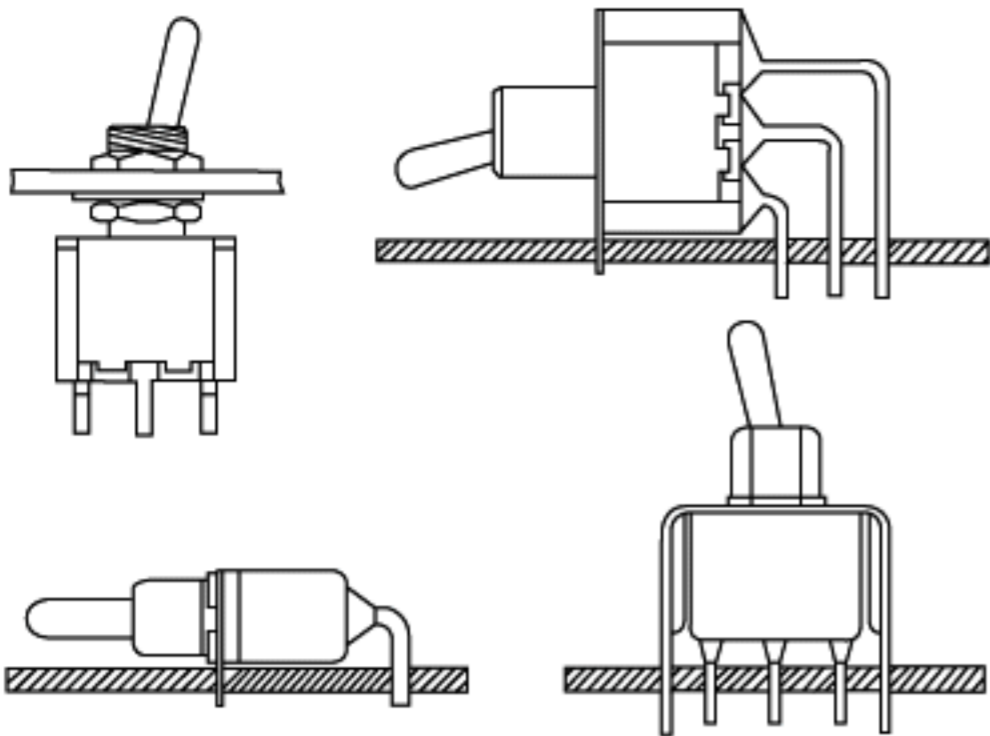


T Series Toggle Switches



LICO



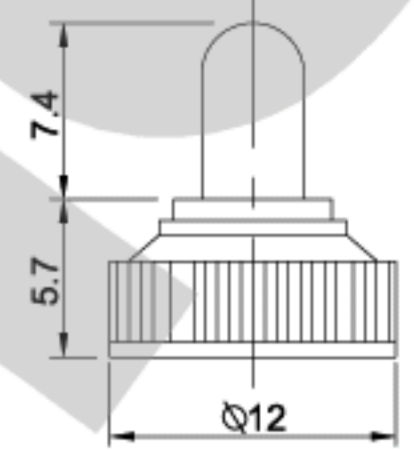
SPECIFICATION:

Contact rating : 5A with resistance load @120V AC or 28V DC or 0.4VA
 Mechanical life: 40,000 Make-and-break cycles.
 Contact resistance : 10mΩ Max. initial @2-4V DC.
 100mA for both coin silver and gold plated contact.
 Insulation resistance : 1,000MΩ Min.
 Withstand voltage : 1,000V RMS @sea level.
 Operating temperature: -30 °C to +85 °C

MATERIALS:

Case : Dially phthalate (DAP)
 Toggle handle : Brass, chrome Nickel plated.
 Bushing : Brass, Nickel plated.
 Housing : Stainless Steel.
 End Contact : Coin Silver, Silver plated, or Gold plated.
 End Terminal : Brass, Silver plated, or Gold plated.
 Center Contact & Terminal : Brass, Silver plated, or Gold plated.

T1000D SEAL CAP



T1000 COLOR CAP



T1000D SEAL CAP

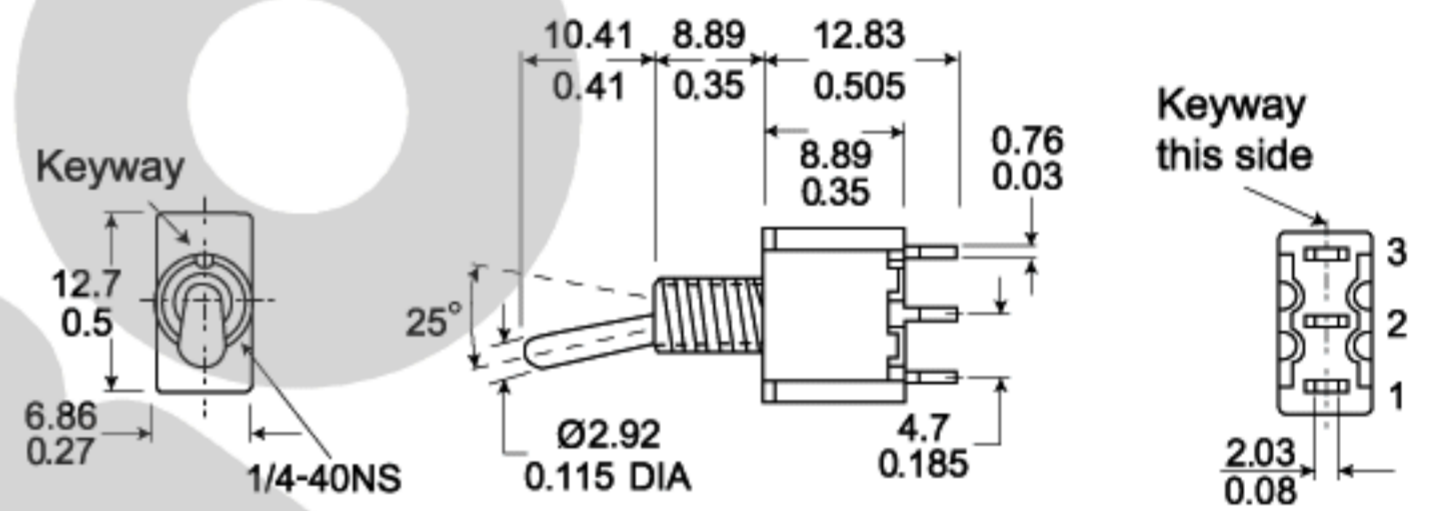
SPDT



T1011BSTQ

MODEL NO.	TYPE		
1010	ON		OFF
1011	ON		ON
1012	ON		(ON)
1013	ON	OFF	ON
1014	(ON)	OFF	(ON)
1015	ON	OFF	(ON)
Term. Comm.	2 - 3	OPEN	2 - 1

Schematic 2 Com.



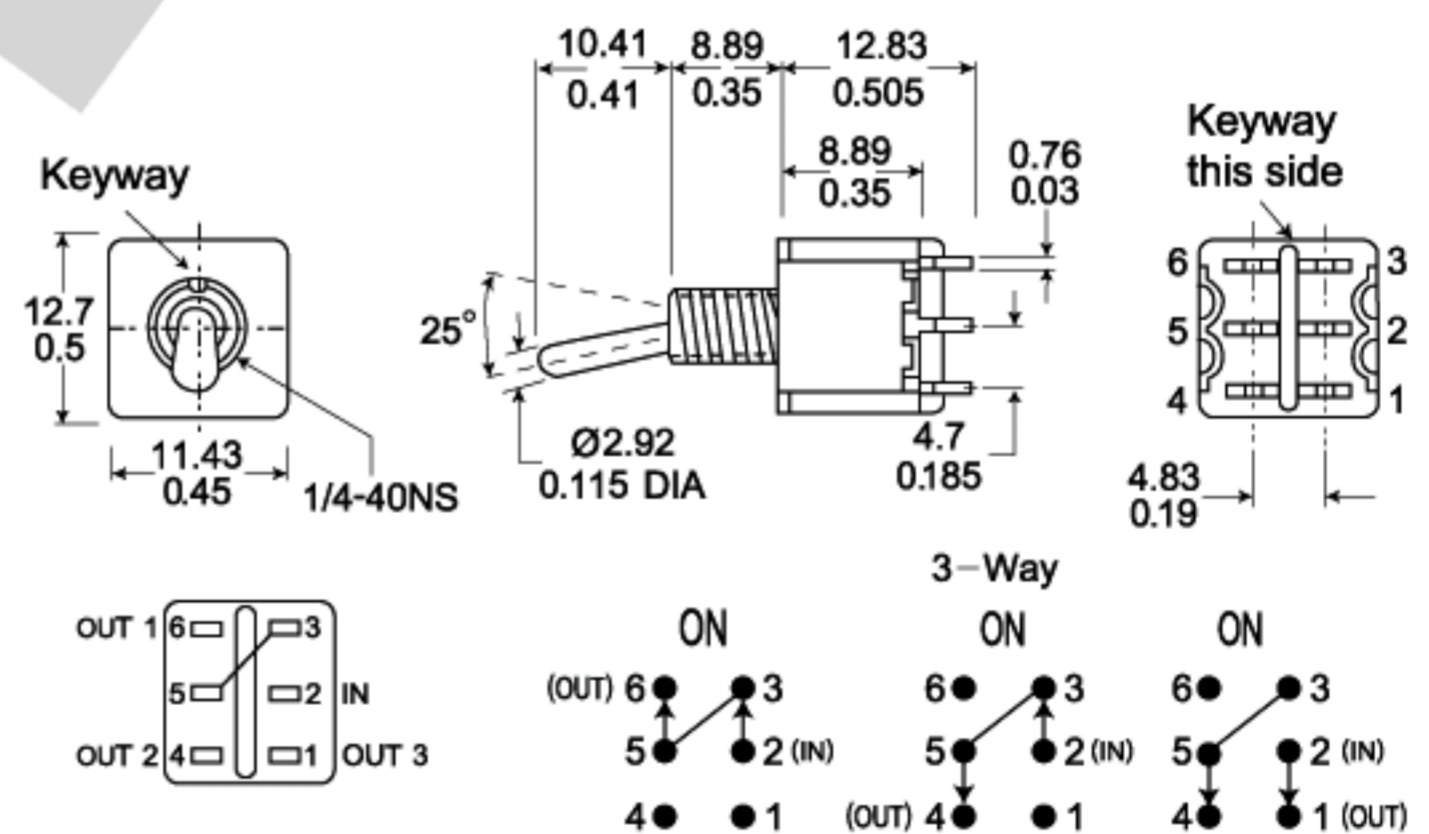
DPDT



T1021BSTQ

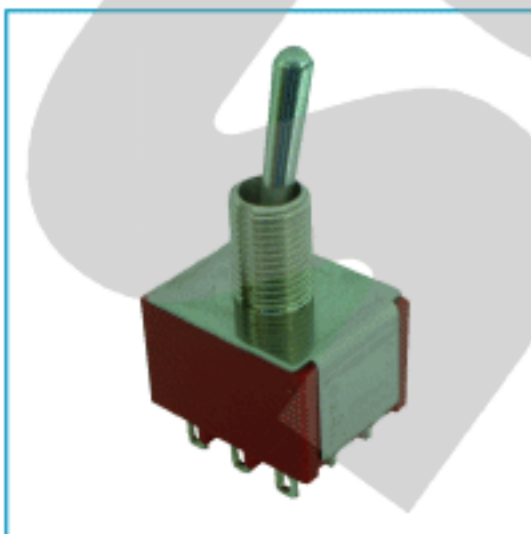
MODEL NO.	TYPE		
1020	ON		OFF
1021	ON		ON
1022	ON		(ON)
1023	ON	OFF	ON
1024	(ON)	OFF	(ON)
1025	ON	OFF	(ON)
1026	ON	ON	ON
Term. Comm.	2 - 3 5 - 6	OPEN	2 - 1 5 - 4

Schematic 2 Com. 5 Com.



1026 : SINGLE POLE, 3 POSITION, 3 WAY

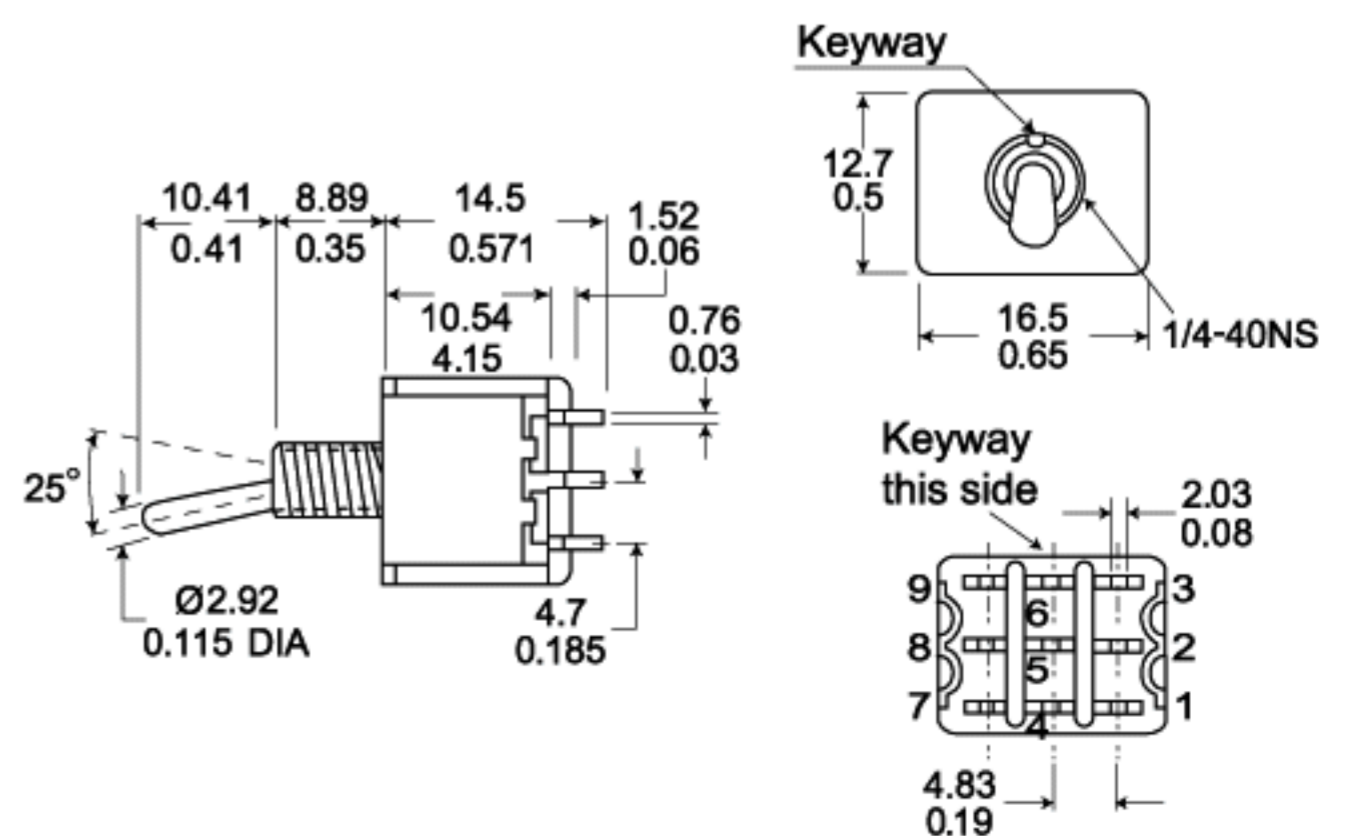
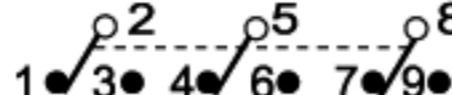
3PDT



T1031BSTQ

MODEL NO.	TYPE		
1030	ON		OFF
1031	ON		ON
1032	ON		(ON)
1033	ON	OFF	ON
1034	(ON)	OFF	(ON)
1035	ON	OFF	(ON)
Term. Comm.	2 - 3 5 - 6 8 - 9	OPEN	2 - 1 5 - 4 8 - 7

Schematic Com. Com. Com.

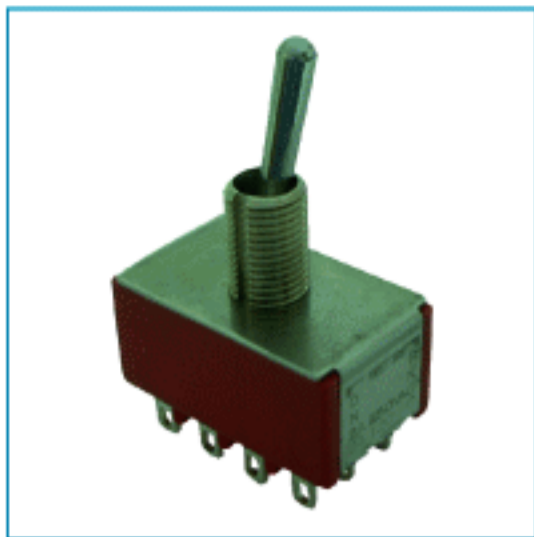


T Series Toggle Switches



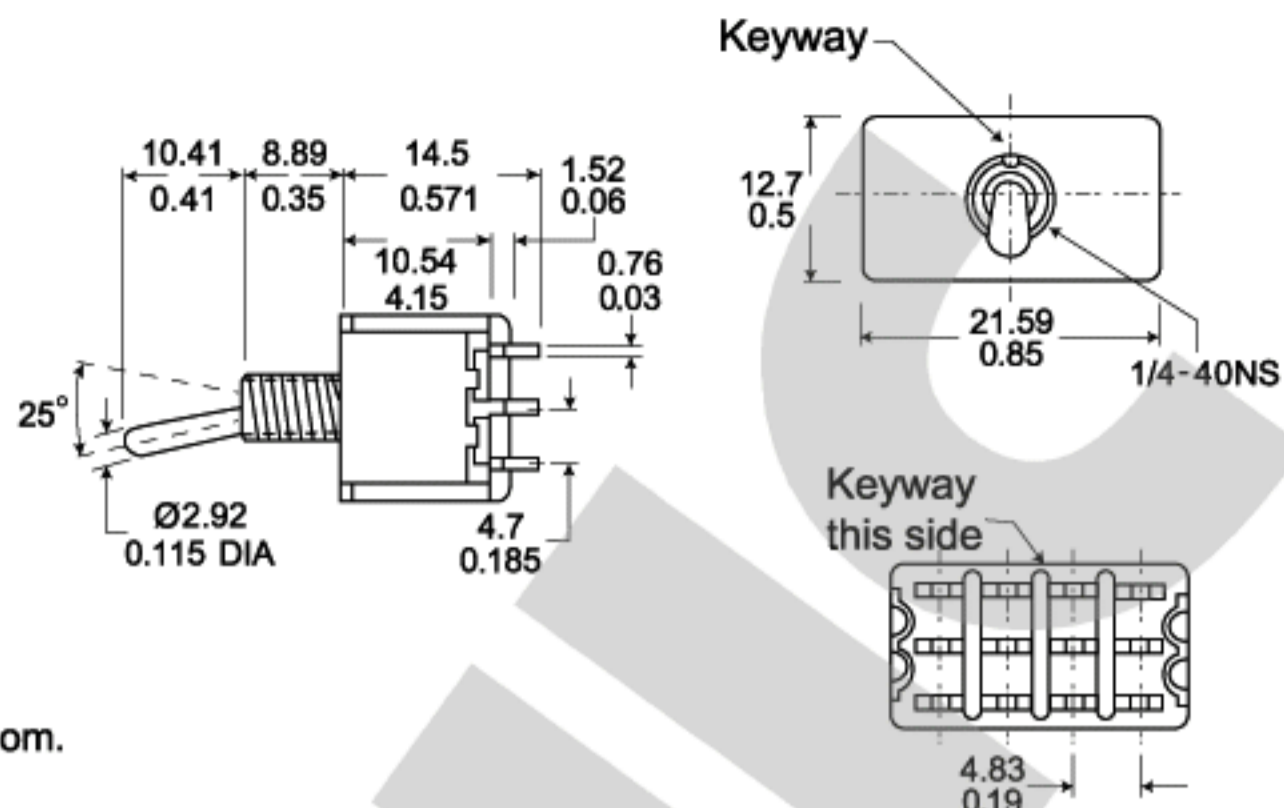
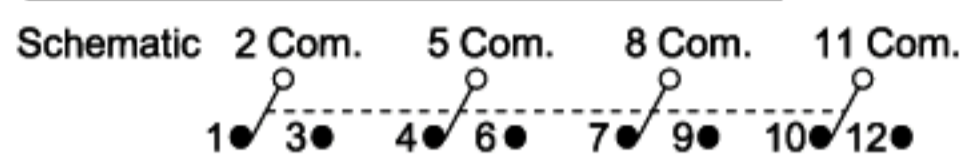
LICO

4PDT

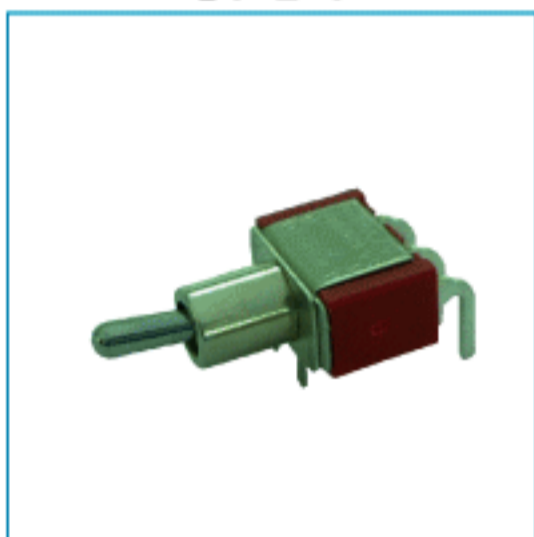


T1041BSTQ

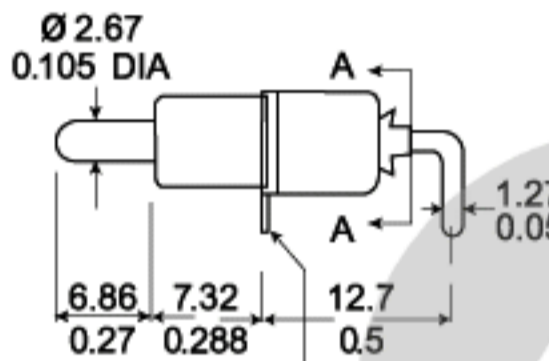
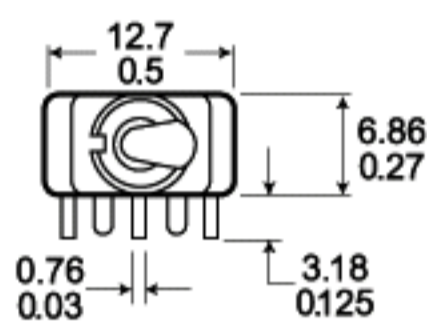
MODEL NO.	TYPE		
1041	ON		ON
1042	ON		(ON)
1043	ON	OFF	ON
1044	(ON)	OFF	(ON)
1045	ON	OFF	(ON)
1046	ON	ON	ON
Term. Comm.	2 - 3 5 - 6 8 - 9 11 - 12	OPEN	2 - 1 5 - 4 8 - 7 11 - 10



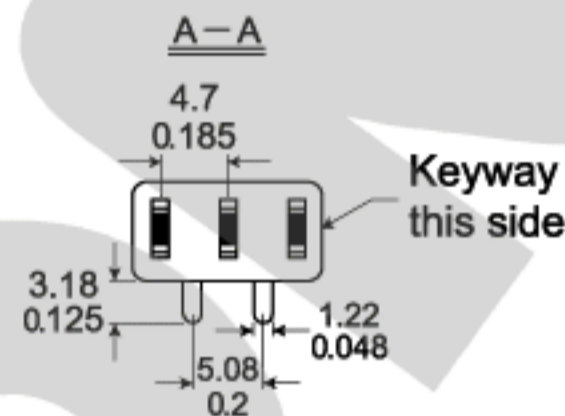
SPDT



T1011PTNQ

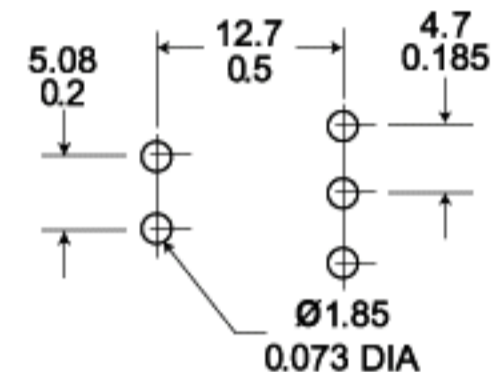


Switch support

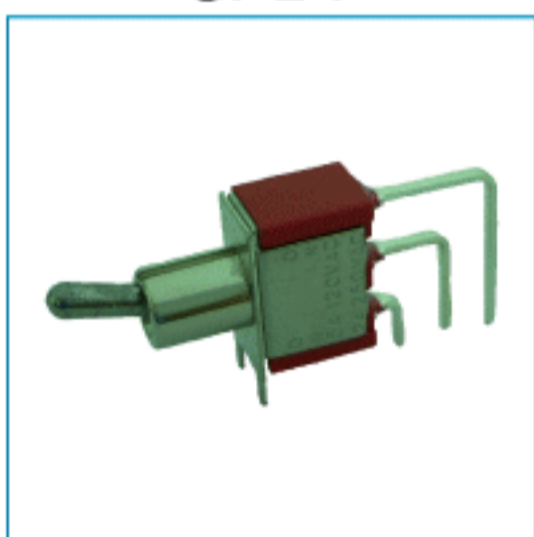


TERM. NOS. FOR REFERENCE ONLY

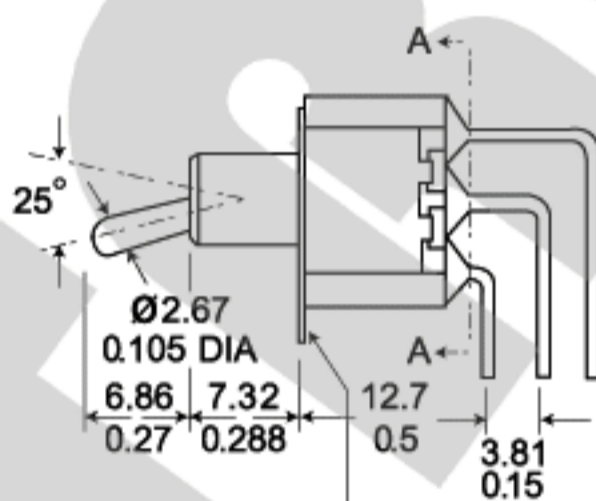
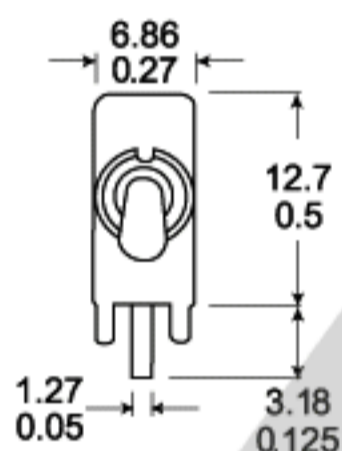
P.C.B. LAYOUT



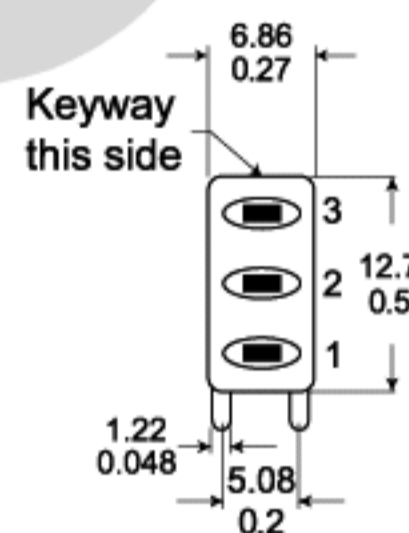
SPDT



T1011LTNQ

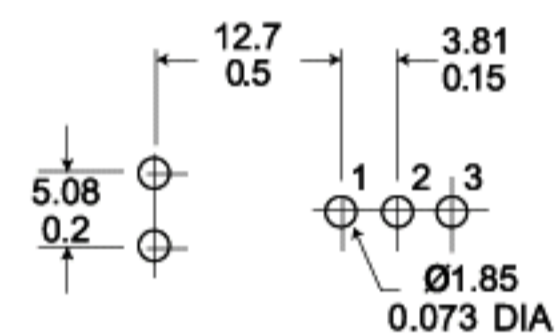


Switch support

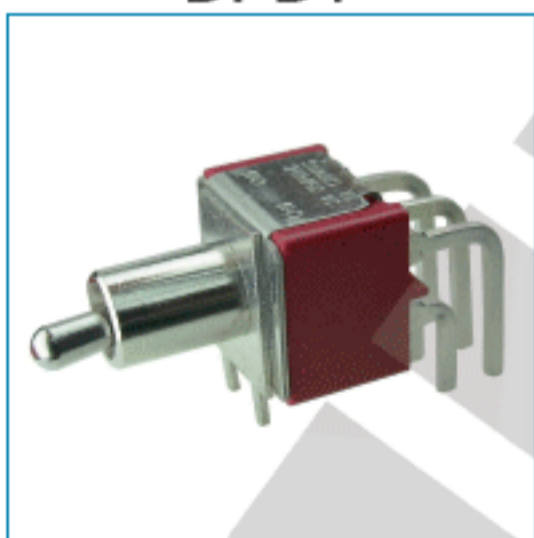


TERM. NOS. FOR REFERENCE ONLY

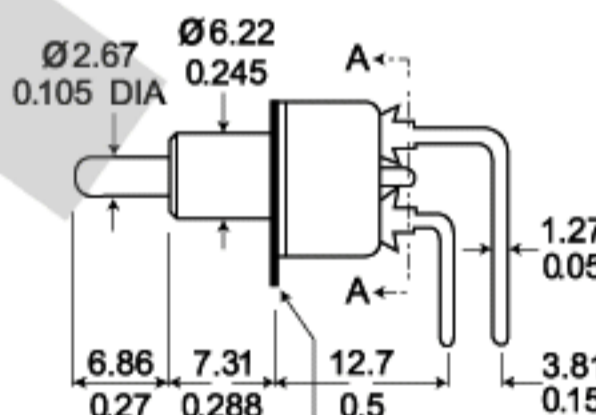
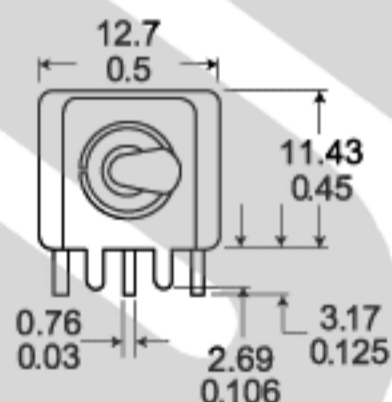
P.C.B. LAYOUT



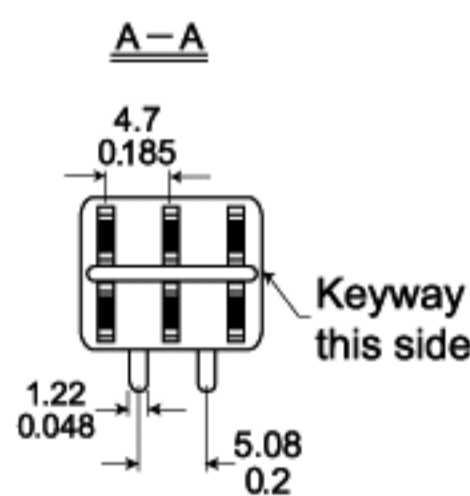
DPDT



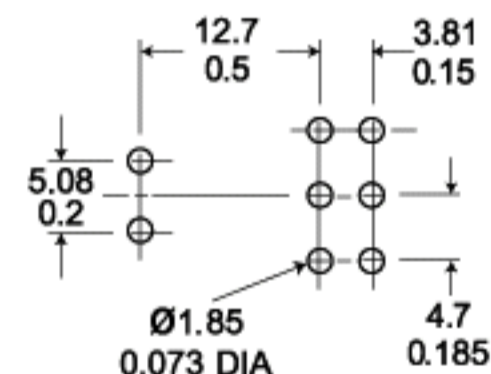
T1021PTNQ



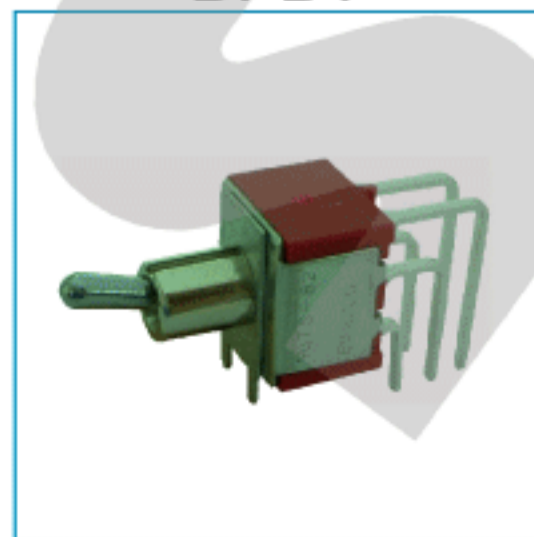
Switch support



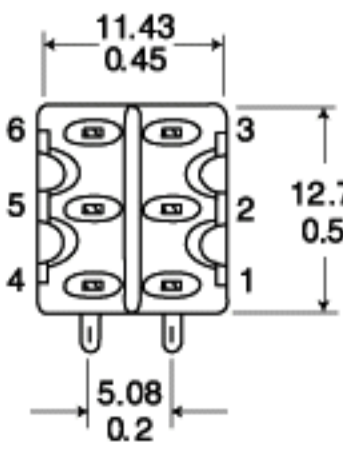
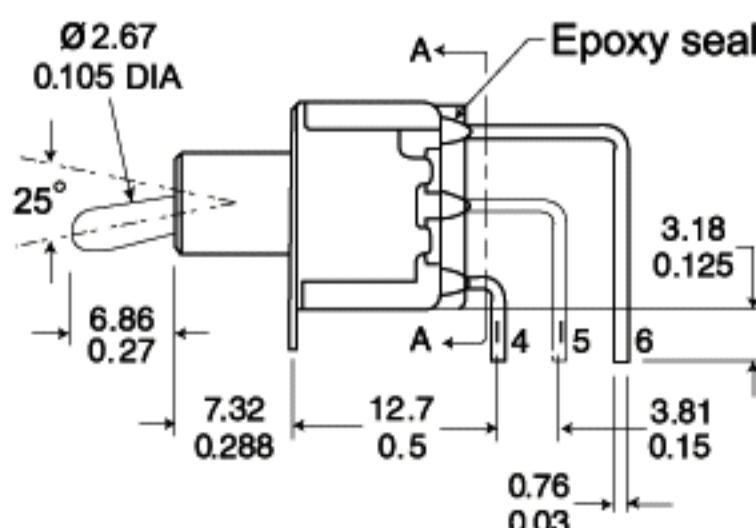
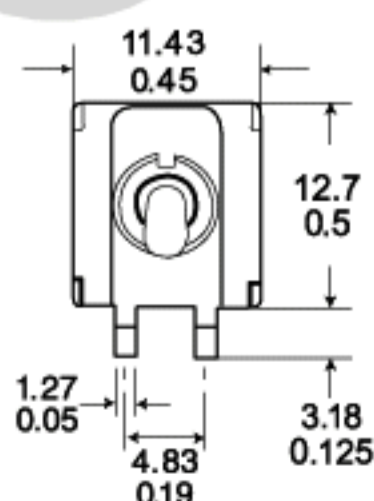
P.C.B. LAYOUT



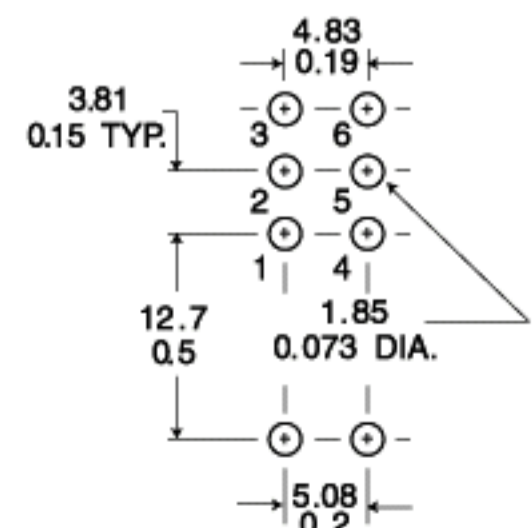
DPDT



T1021LTNQ



P.C.B. LAYOUT



B10



LICO Electronics www.bauelemente.at

office@lico.at

office@lico.hu

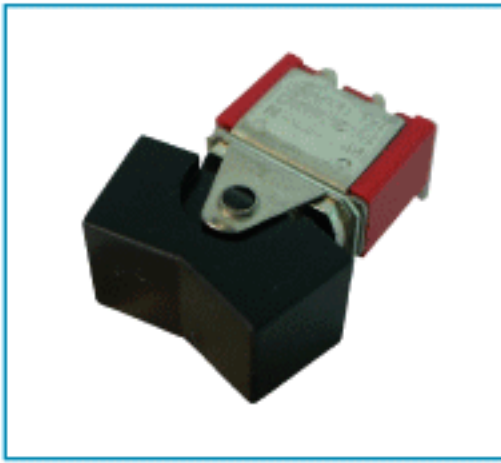
office@lico.ro

T Series Rocker Paddle Switches

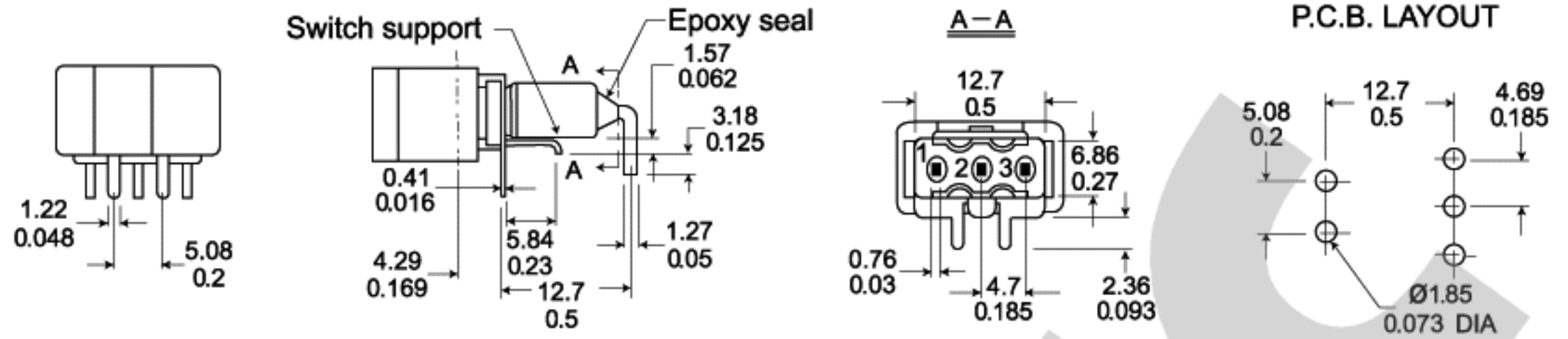


LICO

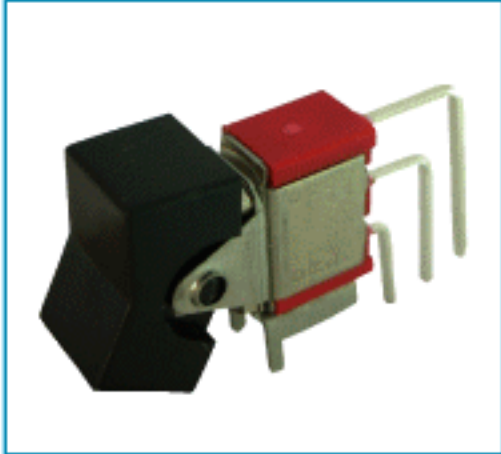
SPDT



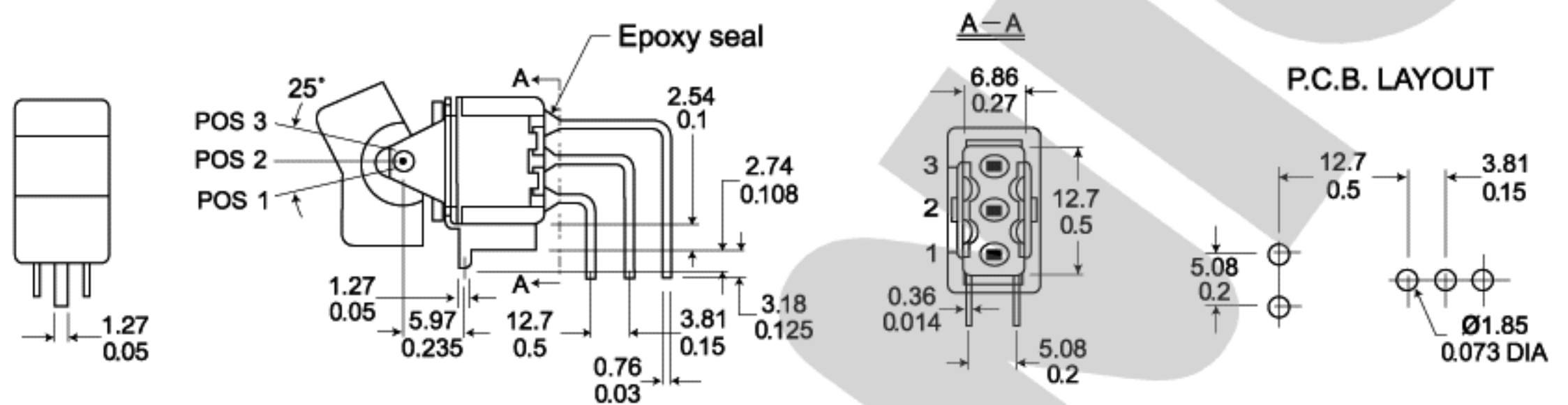
T1011PR



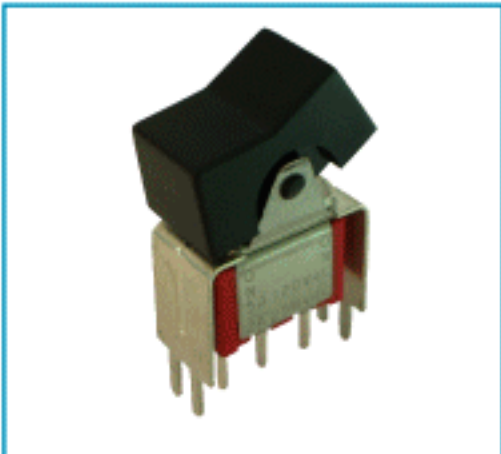
SPDT



T1011LR

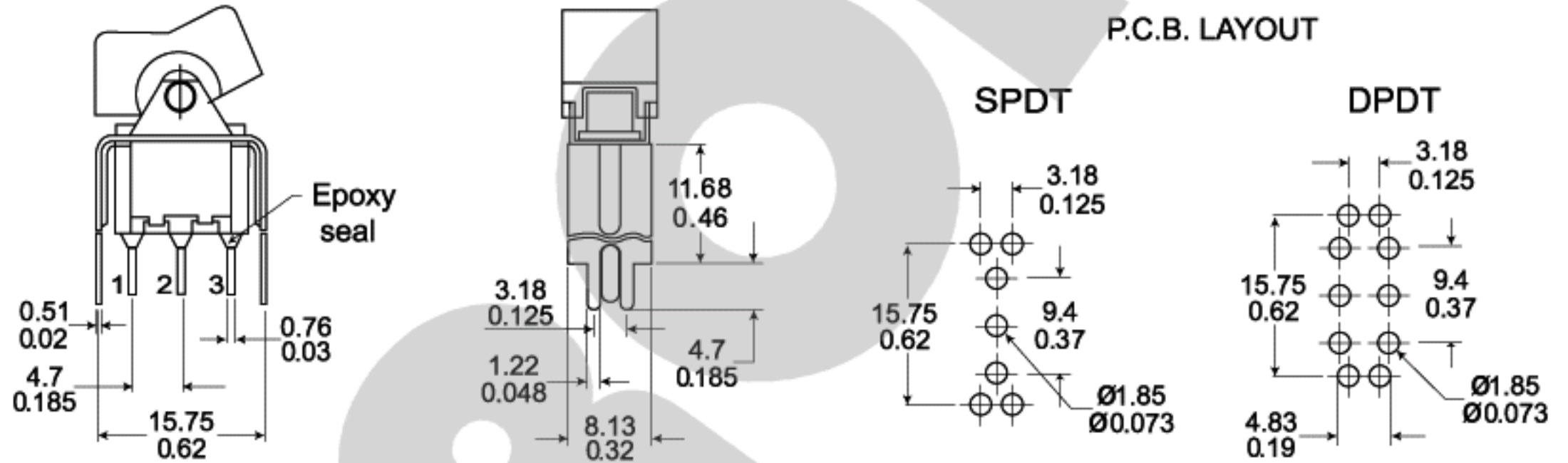


ACTUATOR: R

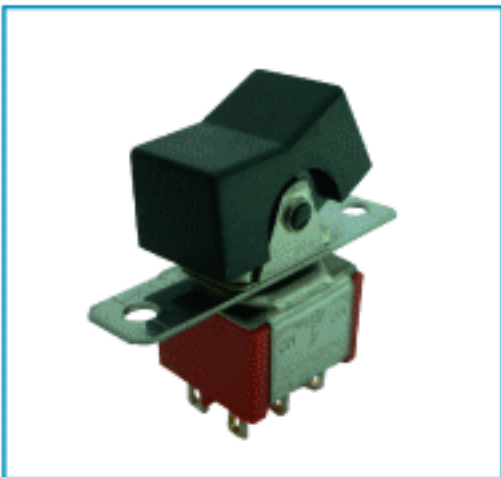


T1011VS2R

W/ PCB SUPPORT

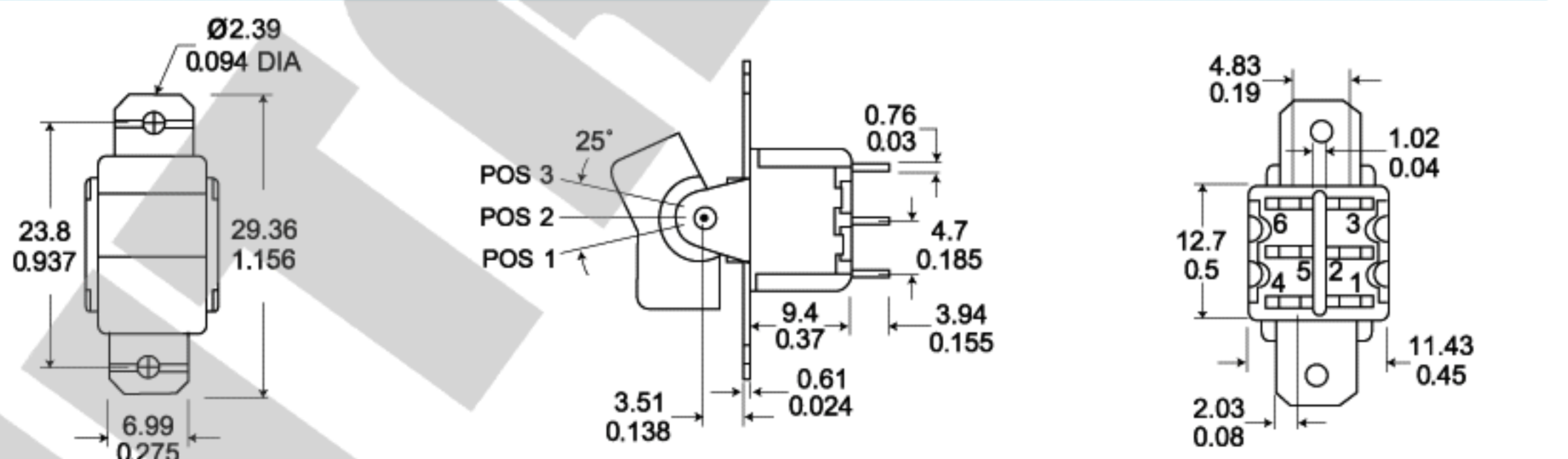


DPDT ACTUATOR: R

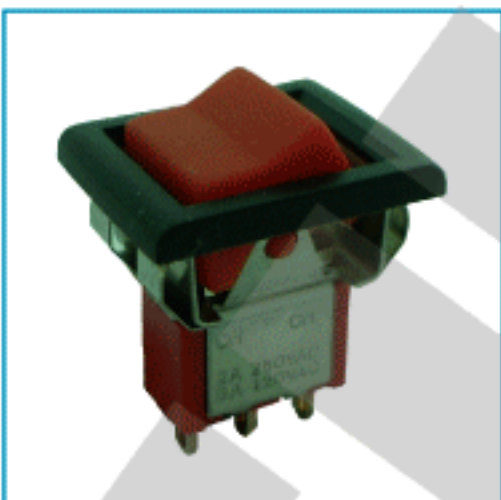


T1021BR

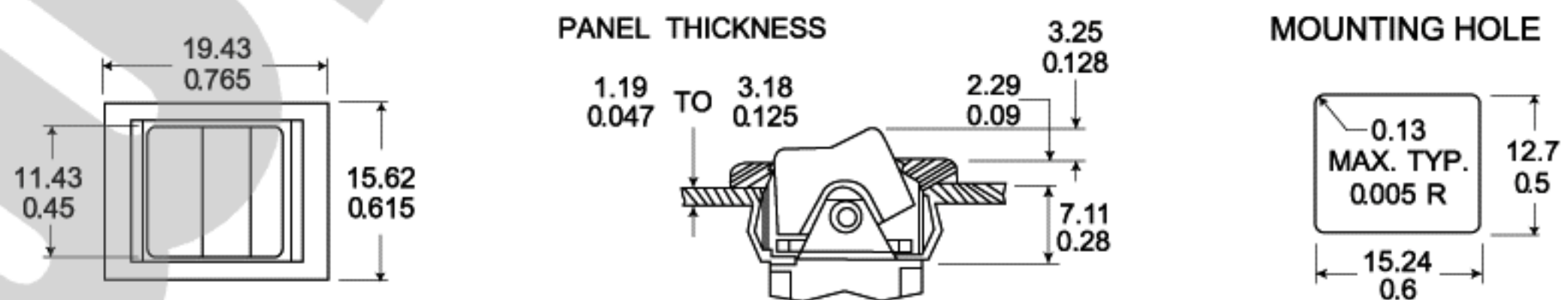
W/ SCREW BRACKET



ACTUATOR: R12



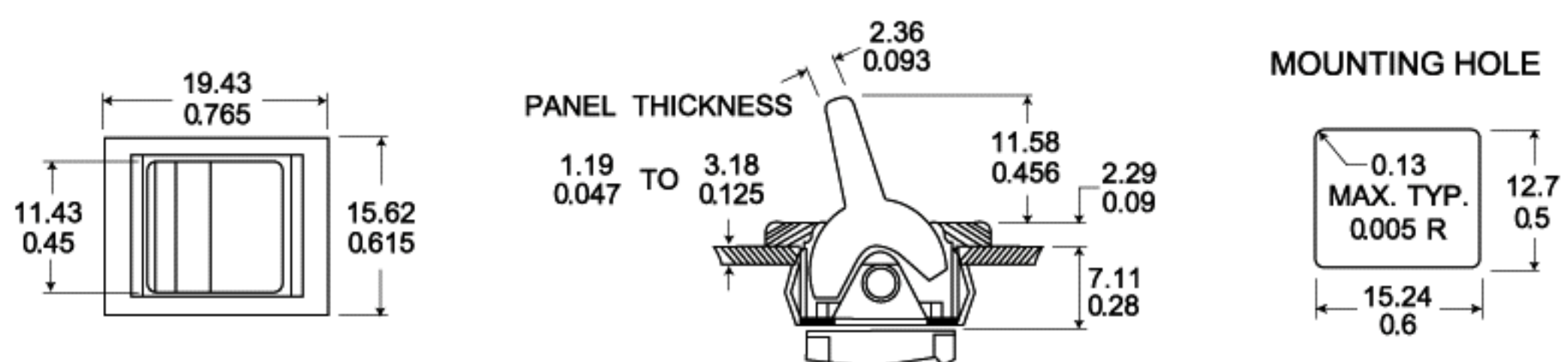
T1011BR12



ACTUATOR: P14



T1021BP14

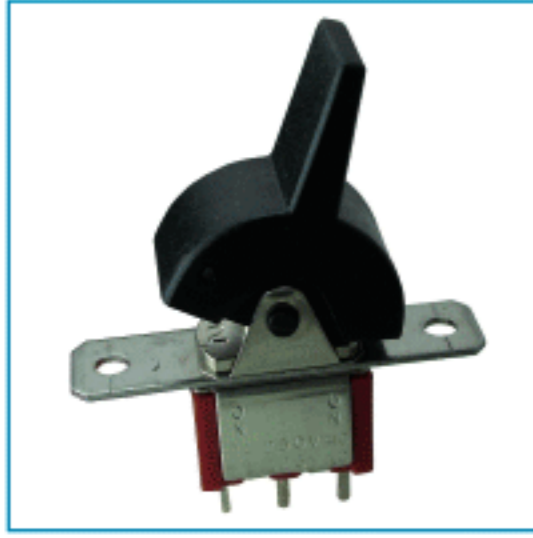


T Series Toggle, Rocker Paddle Switches



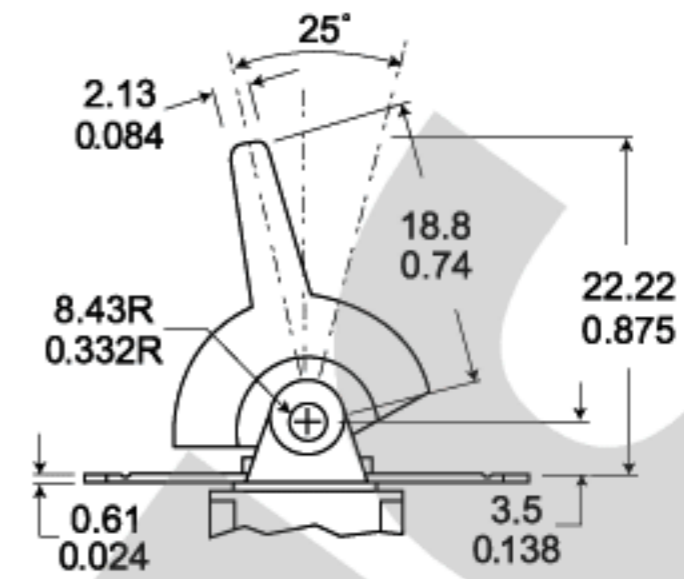
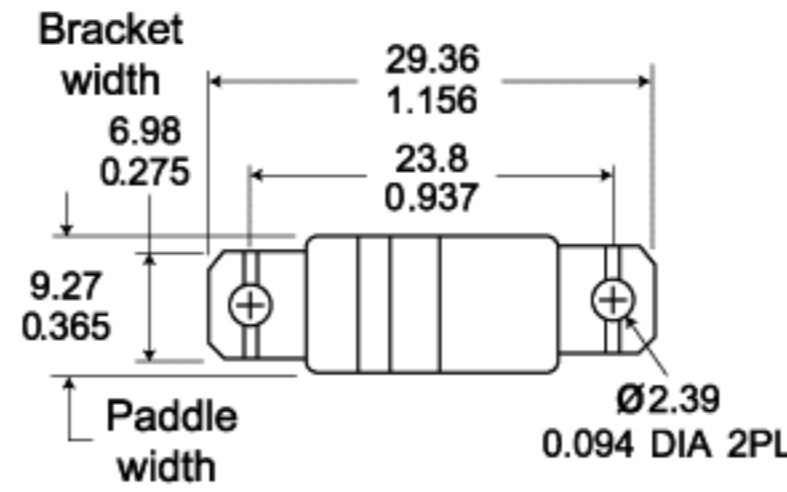
LICO

ACTUATOR: P13



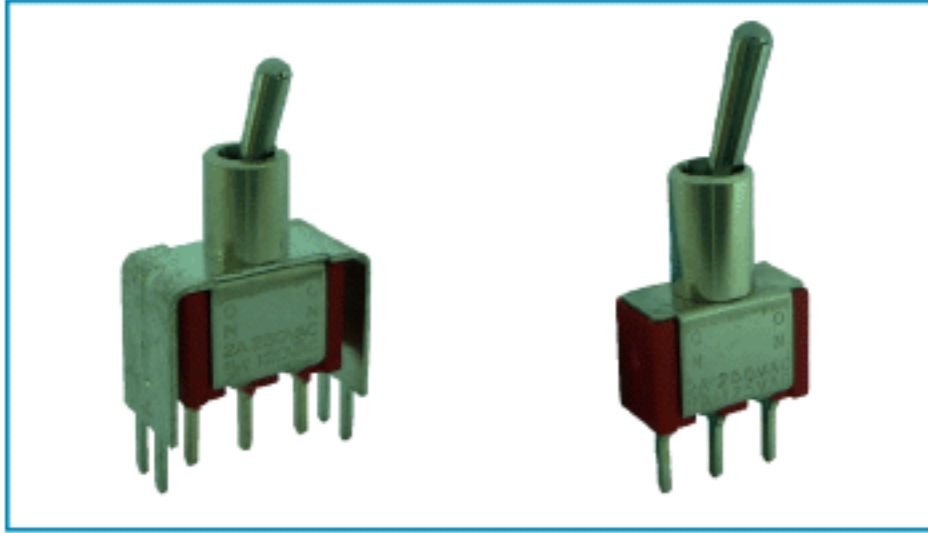
T1011BP13

W/ SCREW BRACKET



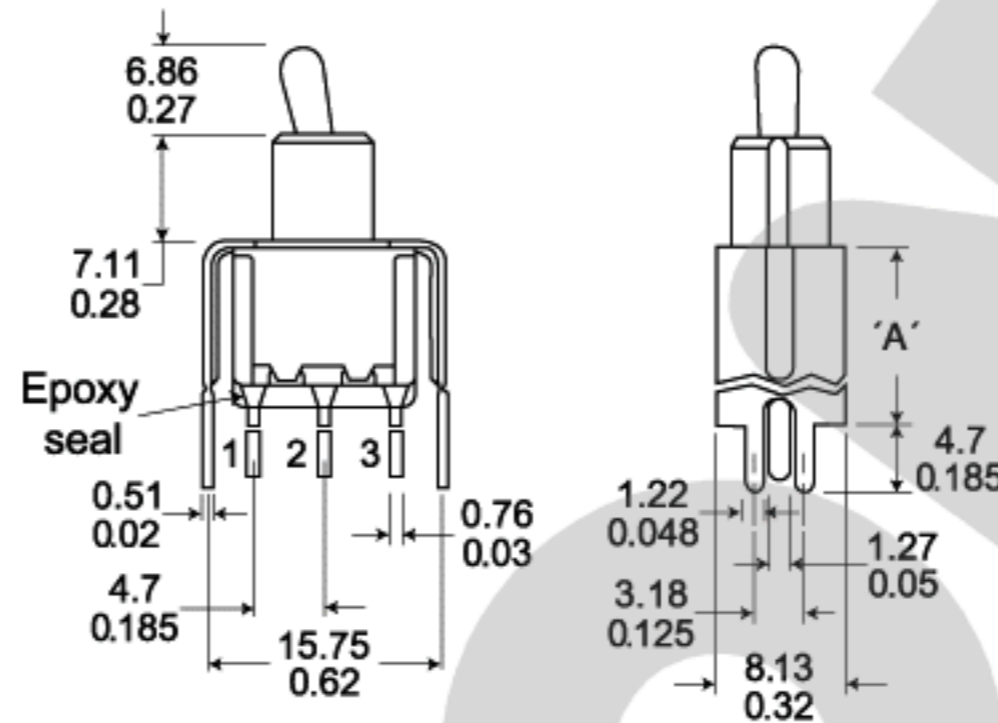
SPDT

SPDT



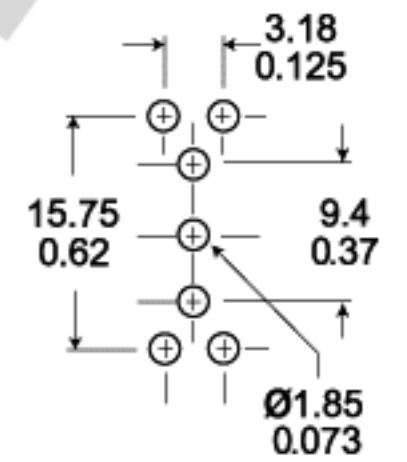
T1011VS2TNQ T1011CSNQ

W/O PCB SUPPORT



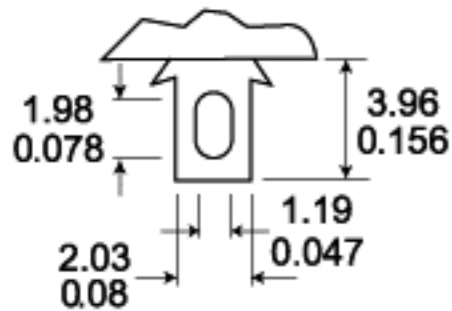
P.C.B. LAYOUT

OPTION CODE	DIM. 'A'
VS2	11.68 0.46
VS3	16 0.63

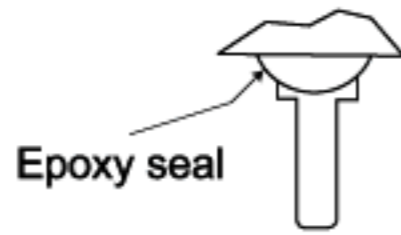


TERMINAL OPTIONS

CONTACT AND TERMINAL MATERIALS OPTIONS:



B

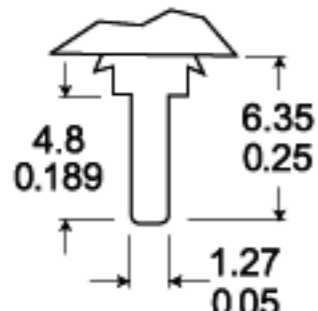


C

Q : Silver Plated. (Standard)

R : Gold Plated.

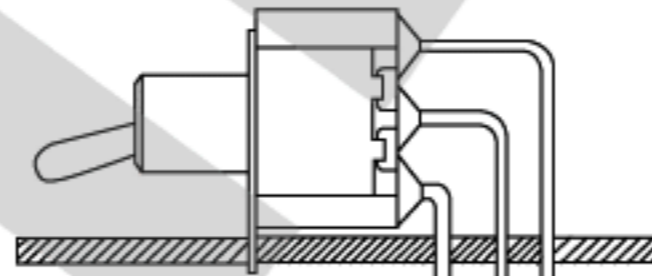
RATING : 0.4VA Max. @20V DC Max.



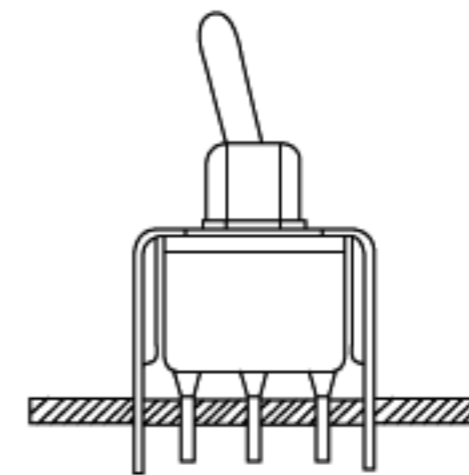
C



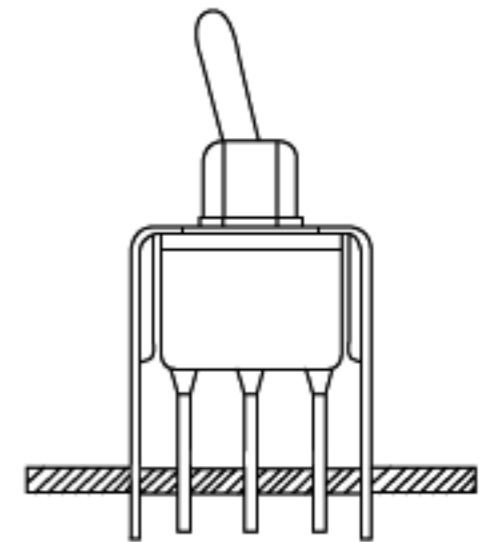
P



L



VS2



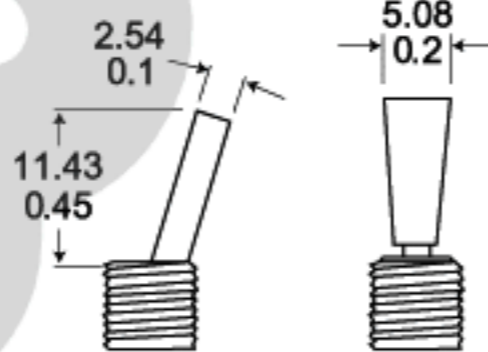
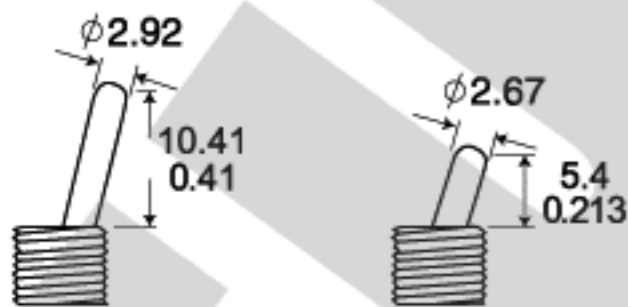
VS3

ACTUATOR OPTIONS

S (STANDARD)

T

P (FLATTED)



P



T1021BPTQ

R12



P14



HOW TO ORDER

T	+	MODEL NO.	+	TERMINAL TYPE	+	ACTUATOR (HANDLE)	+	BUSHING	+	CONTACT & TERMINAL MATERIAL	+	EPOXY SEAL	+	BRACKET	+	ACTUATOR COLOR	+	NUTS & WASHER
				B L C VS2 P VS3		S R12 T P13 P P14 R		T: THREAD N: NON-THREAD		Q: SILVER R: GOLD		Y: YES N: NO		□: NON-BRACKET K: SCREW BRACKET		B: BLACK R: RED Y: YELLOW BU: BLUE		□: SEPARATE PACKING 1: FIXED ON SW



LICO Electronics www.bauelemente.at

B12

office@lico.at office@lico.hu office@lico.ro