

R19 Series Rocker Switches / ILLUMINATED



R19 : 6A 250V AC

SS21: 12A 125/250V AC (CSA)

10A 125/250V AC (UL)

12(4)A 250V~T85

(VDE, SEMKO, NEMKO, DEMKO, FIMKO)

SPECIFICATION:

Rating : 6A 250V AC (Standard) , 12A 250V AC.

Contacts gap : >3mm.

Contact resistance : <20mΩ.

Insulation resistance : >1,000MΩ.

Withstand voltage : > 1,500V DC for 1 minute.

Mechanical life : > 30,000 Cycles.

Electrical life : > 10,000 Cycles.

LICO



R19 SEAL CAP



R19-20RL
SS21BBDRL



R19-20I
Illuminated



R19-20
SS21BBBT

MATERIALS:

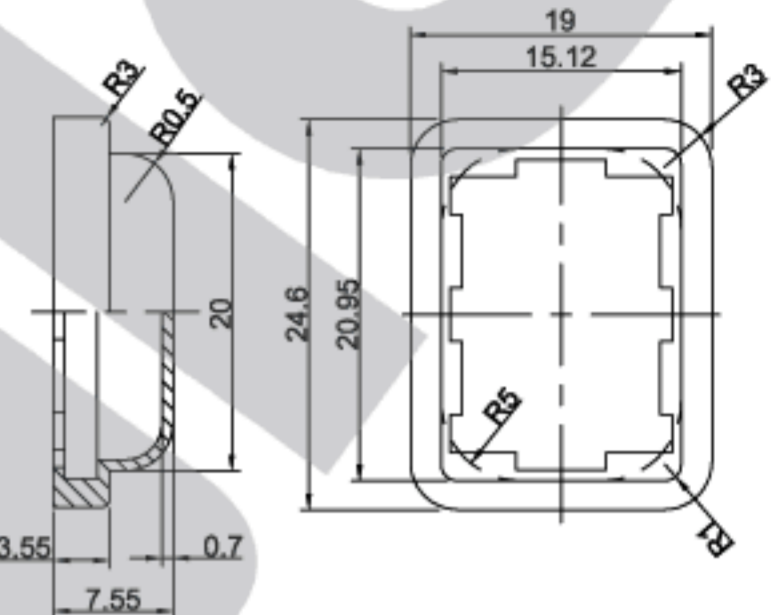
Body : Nylon 66.

Rocker : PC or Nylon 66.

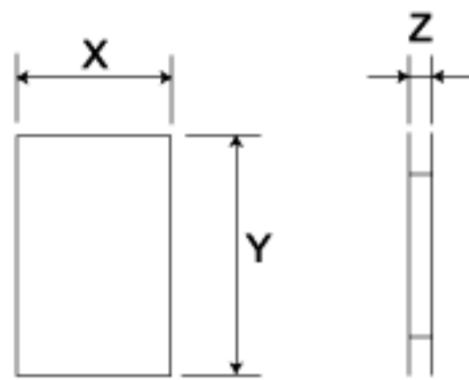
Contact surface : Alloy contact point
, Silver plated.

Illuminated rockers : 125V/250V Neon Lamp,
24V 12V 9V 6V Bulb.

Terminal : Brass, Silver plated.



MOUNTING HOLE

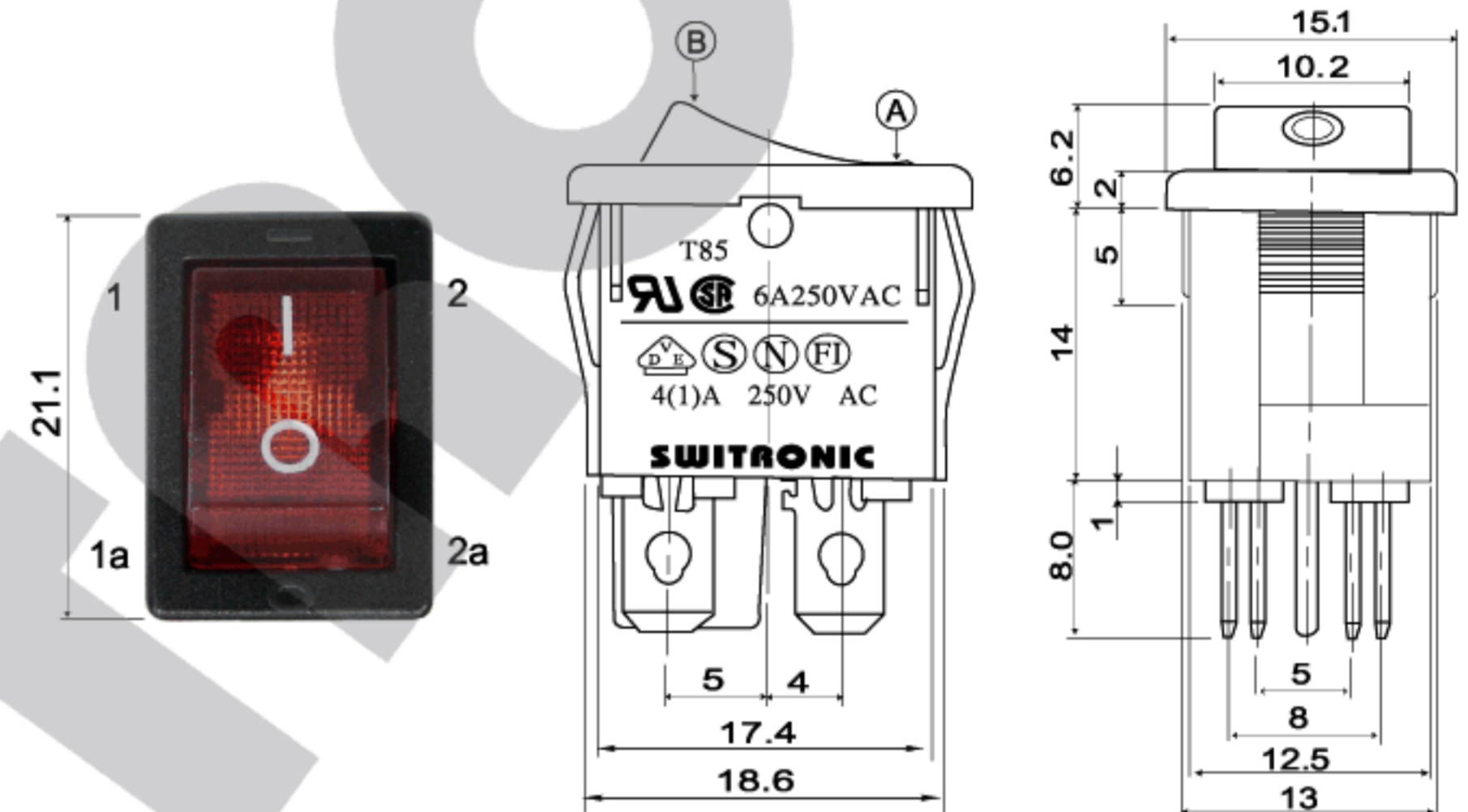


Z	X	Y
0.70 ~ 1.25	12.8 ~ 12.9	19.2 ~ 19.3
1.25 ~ 2.00	12.8 ~ 12.9	19.3 ~ 19.4
2.00 ~ 3.00	12.8 ~ 12.9	19.5 ~ 19.6

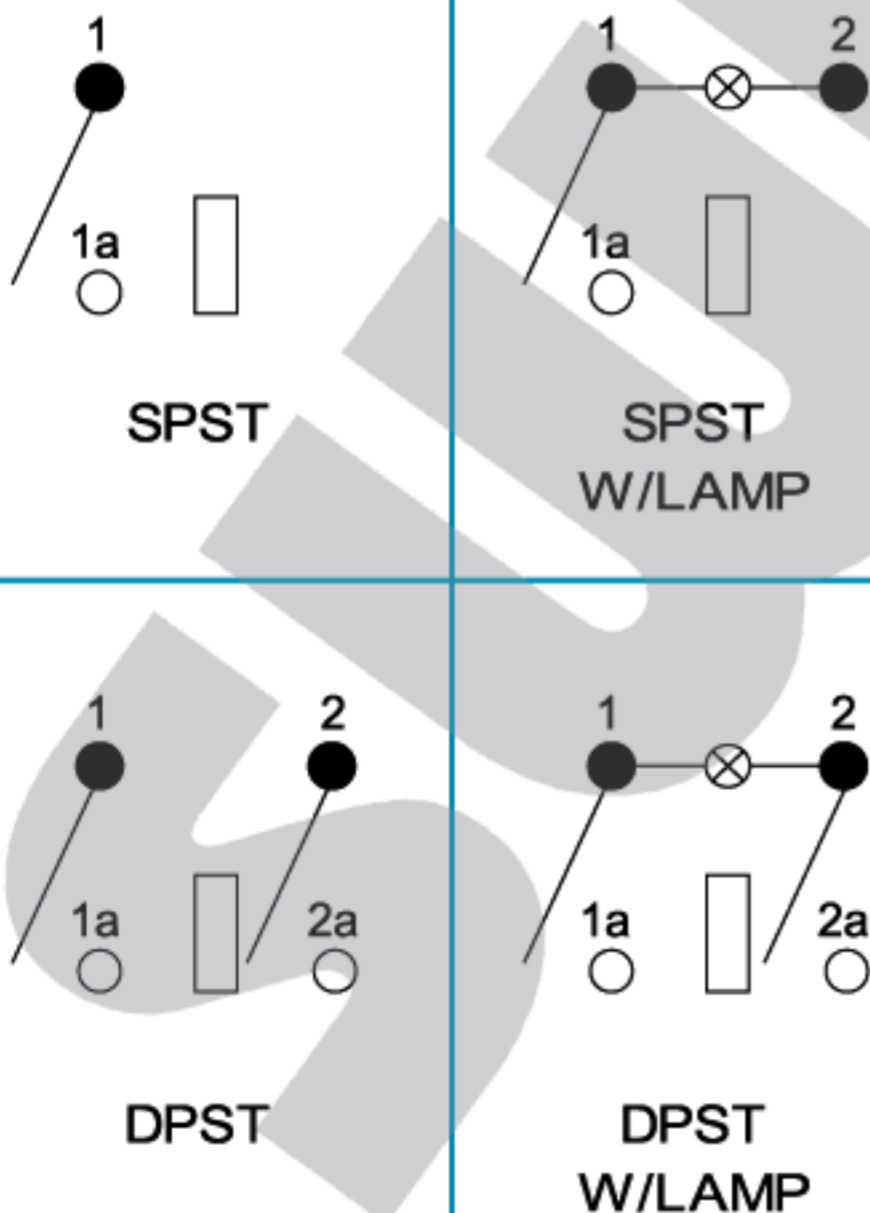
R19-20BBBT (6A 250V AC, DPST)

R19-20IBRBT2 (W / RED LAMP, 6A 250V / 9A 125V AC, DPST)

SS21BBBT (12A 250V AC, DPST)

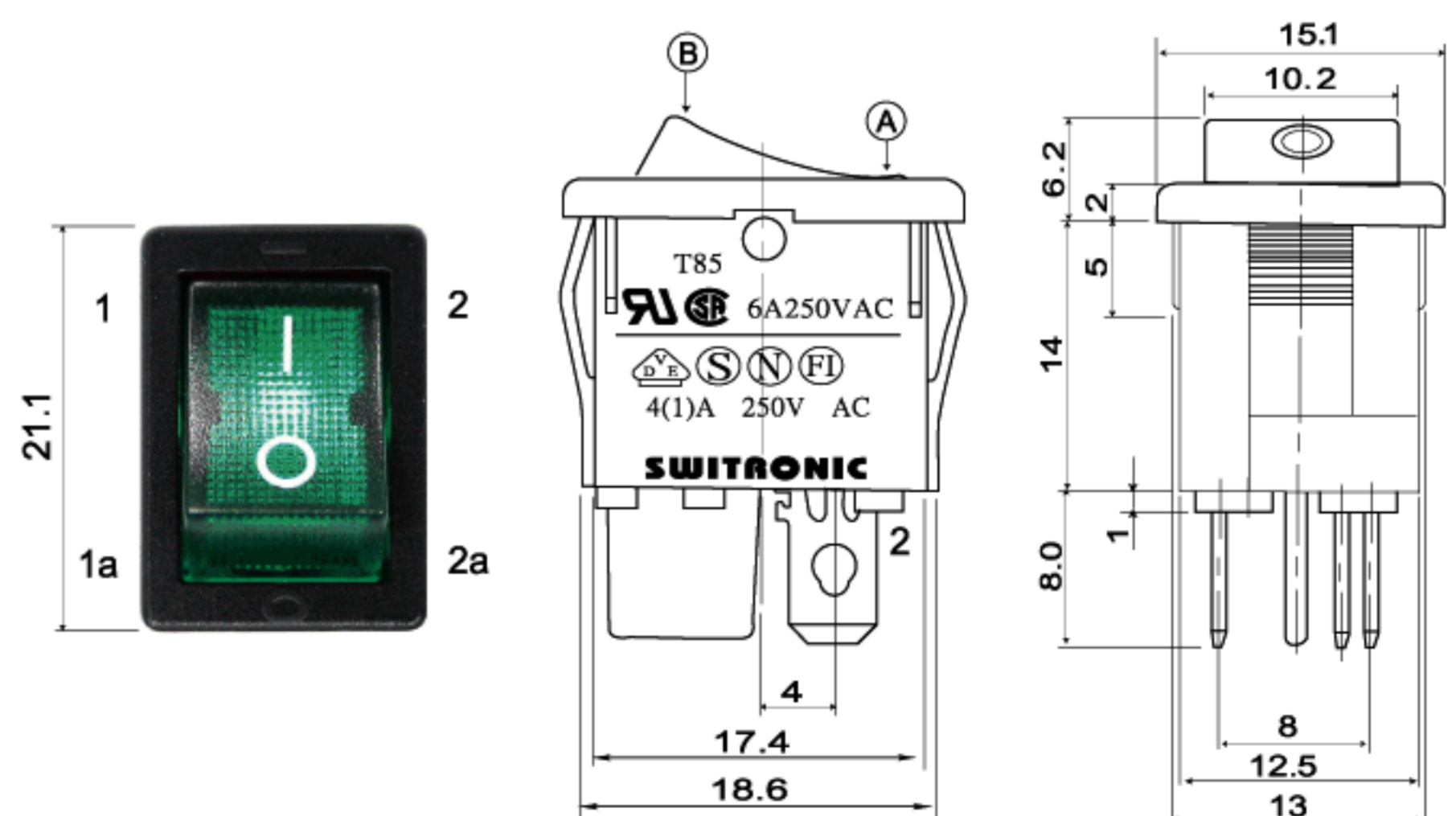


SCHEMATIC



R19-00IBGBT2 (6A 250V AC, W / GREEN LAMP, SPST)

SS21BBBTS (12A 250V AC, SPST)



R19 Series Rocker, Push Switches / ILLUMINATED

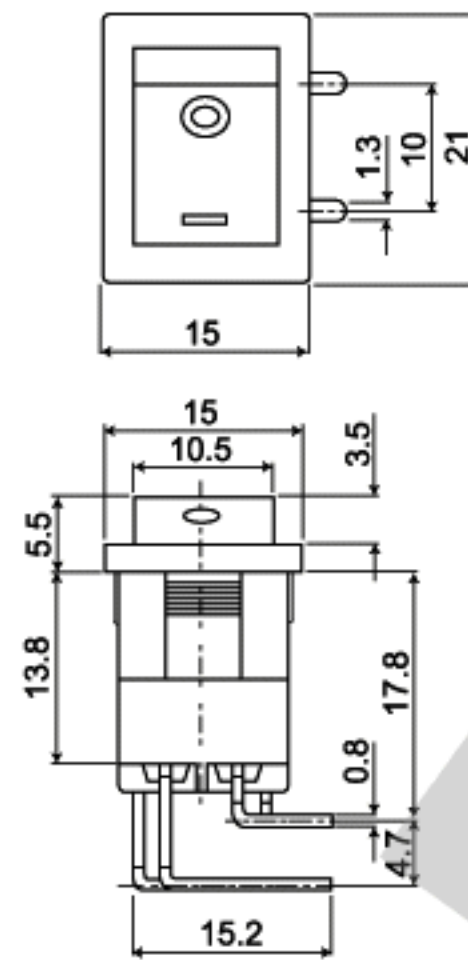
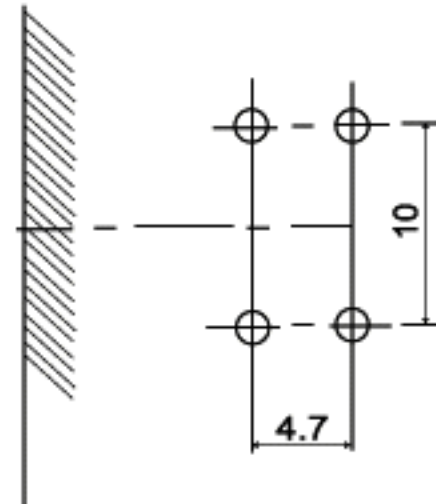


LICO

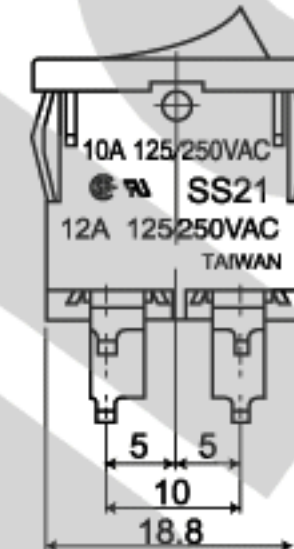
SPST : R19-00BBDRL (6A 250V AC)
 SS21BBDRLS (12A 250V AC)
 DPST : R19-20BBDRL (6A 250V AC)
 SS21BBDRL (12A 250V AC)



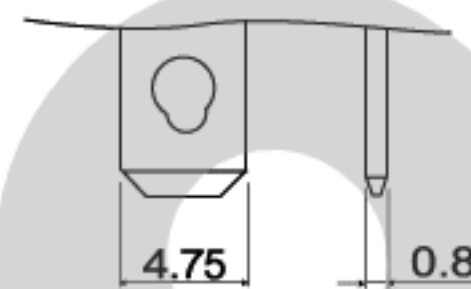
R19-20RL
 SS21BBDRL



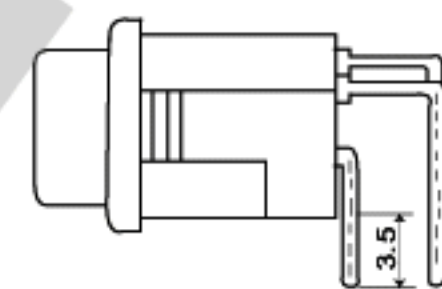
ANGLE TYPE



TERMINAL TYPE



T TYPE

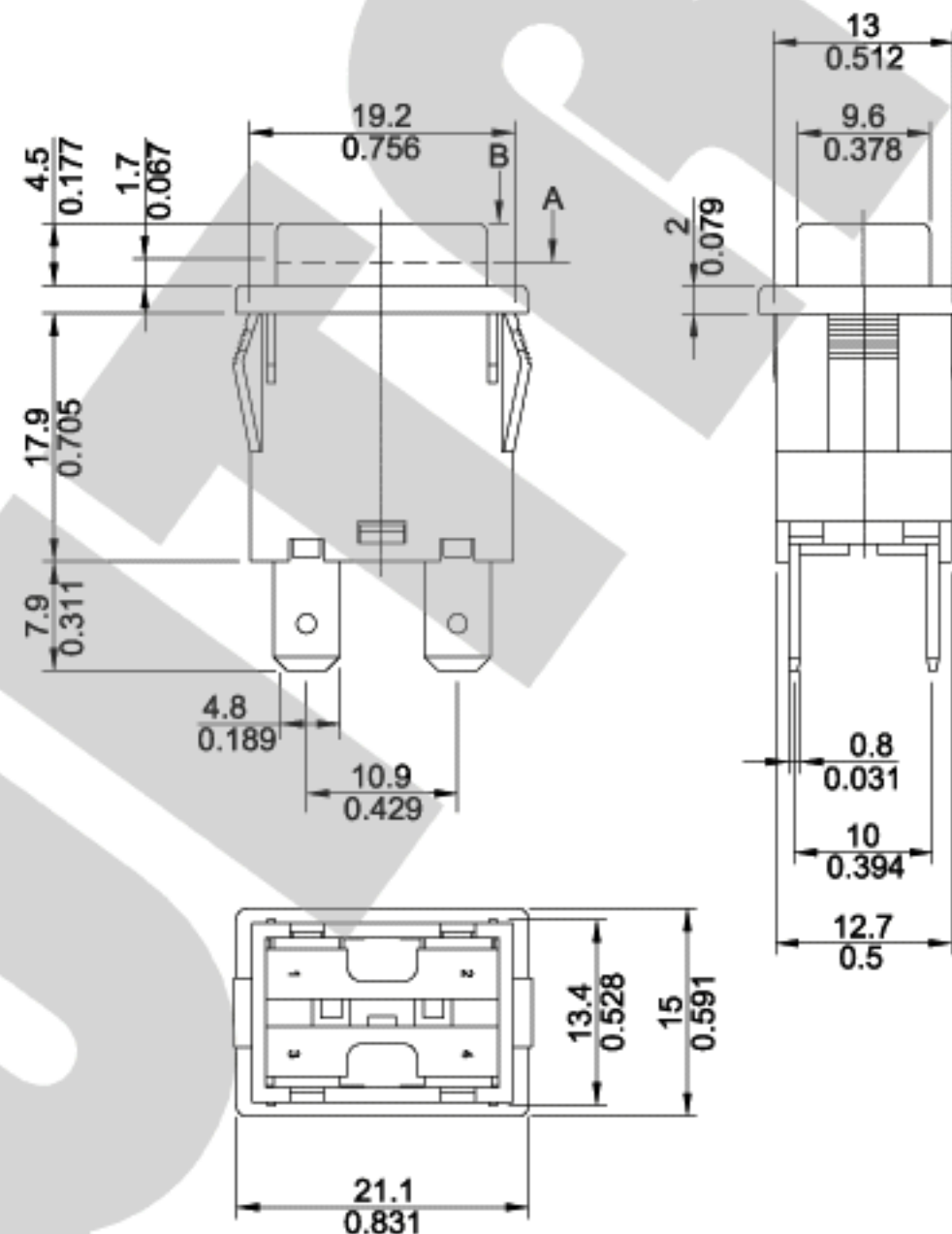


RR (Right angle)

RL (Left angle)

FUNCTION	MODEL NO.	OPTION OF TERMINAL			
		S	T	P	R
SPST ON OFF	R19-00 SS21		✓		✓
SPST W/LAMP ON OFF	R19-00I		✓		✓
DPST ON OFF	R19-20 SS21		✓		✓
DPST W/LAMP ON OFF	R19-20I		✓		✓

NEW LC-8308



Flammability: UL94 V-0
Material of housing: PA66 Max.
Material of rocker: PC
Contacts: Silver alloy
Terminal: Copper Silver plated

MODEL NO.	TYPE	
LC-8301	SPST OFF ON	
LC-8302	SPST OFF (ON)	
LC-8303	SPST OFF ON	W/ LAMP
LC-8304	SPST OFF (ON)	W/ LAMP
LC-8305	DPST OFF ON	
LC-8306	DPST OFF (ON)	
LC-8307	DPST OFF ON	W/ LAMP
LC-8308	DPST OFF (ON)	W/ LAMP

Electrical rating: 15A 125V / 250V AC (UL) 10(4)A 250V AC (VDE)
Mechanical life: > 30,000 Cycles
Electrical life: > 10,000 Cycles
Contact resistance: <20mΩ
Insulation resistance: >1,000MΩ (500V DC between the open contacts)
Withstand voltage : >1,500V DC for 1 minute.

HOW TO ORDER

MODEL NO.	+	HOUSING COLOR	+	ROCKER COLOR	OR	LAMP COLOR	+	MARKING	+	TERMINAL TYPE	+	LAMP VOLTAGE
R19-00 : SPST, 6A 250V AC R19-20 : DPST, 6A 250V AC SS21 : 12A 250V AC R19-00I (W/LAMP) : SPST, 6A 250V AC R19-20I (W/LAMP) : DPST, 6A 250V AC		B : BLACK W : WHITE G : GRAY		B : BLACK W : WHITE G : GRAY R : RED Y : YELLOW GN: GREEN		R : RED Y : YELLOW GN: GREEN				T RR RL		

R Series Rocker Switches / ILLUMINATED

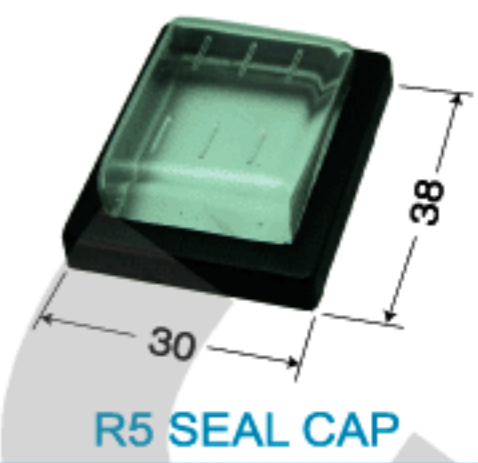


SPECIFICATION:

Contact rating : 10A 250V AC & 16A 125V AC ,15A 250V AC.
 Contact resistance : 50mΩ.
 Insulation resistance : 100MΩ at 500V DC.
 Withstand voltage : > 1,500V AC for 1 minute.
 Mechanical life : > 30,000 Cycles.
 Electrical life : > 10,000 Cycles.

MATERIALS:

Body : Nylon 66.
 Rocker : PC or Nylon.
 Contact surface : Alloy contact point , Silver plated.
 Illuminated : Lamp.
 Terminal : Brass , Silver plated.

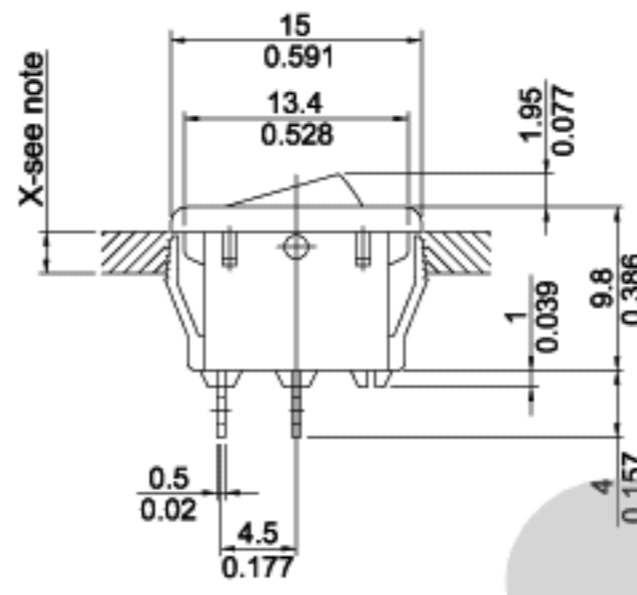
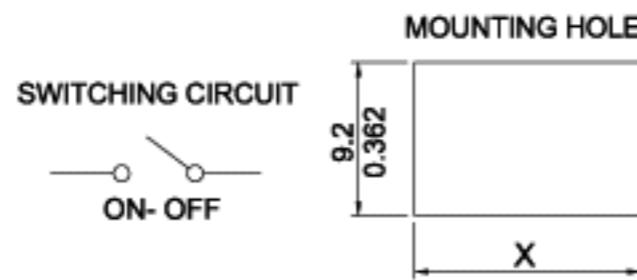


NEW Extra Tiny



MR5-F5

X	CUTOUT DIMENSION	PANEL THICKNESS
A	13.6 [0.535]	0.75 ~ 1.25
B	13.7 [0.539]	1.25 ~ 2.00
C	13.8 [0.543]	2.00 ~ 2.50



Rating : 3A 125V AC / 250V AC.
 3A 250V AC ~ μT100.
 Contact resistance : 20mΩ Max. (initial)
 Insulation resistance : 100MΩ Min at 500V DC.

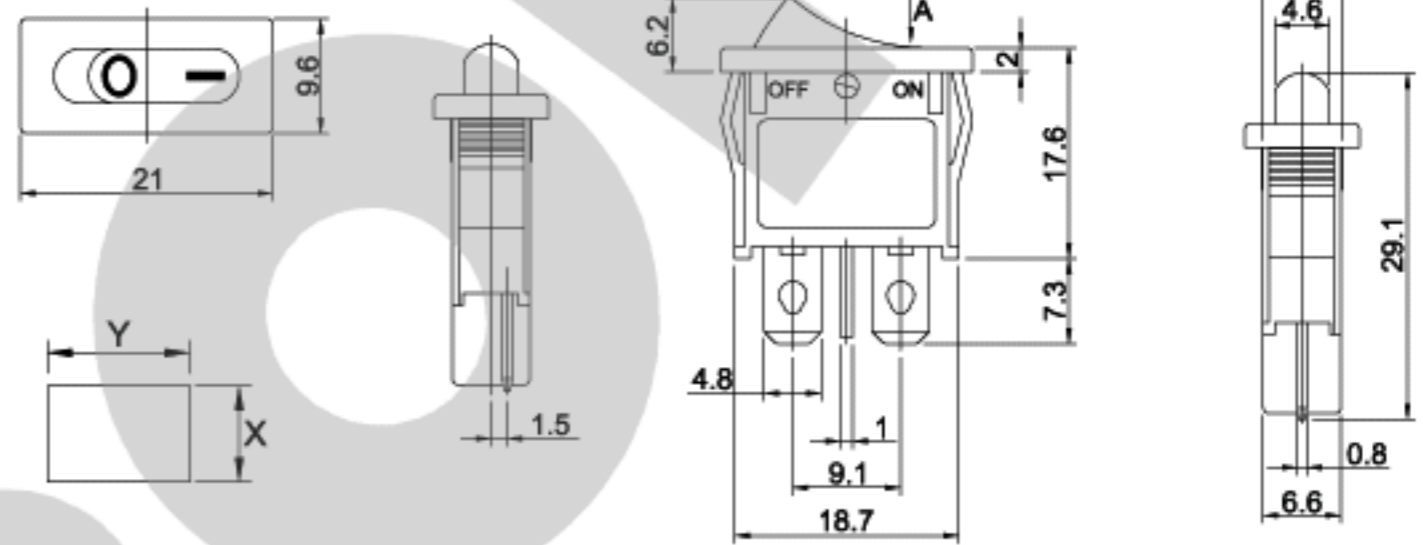
Tiny R6 series



6A 250V AC

MODEL NO.	TYPE
R612	SPST OFF ON
R652	SPST OFF (ON)

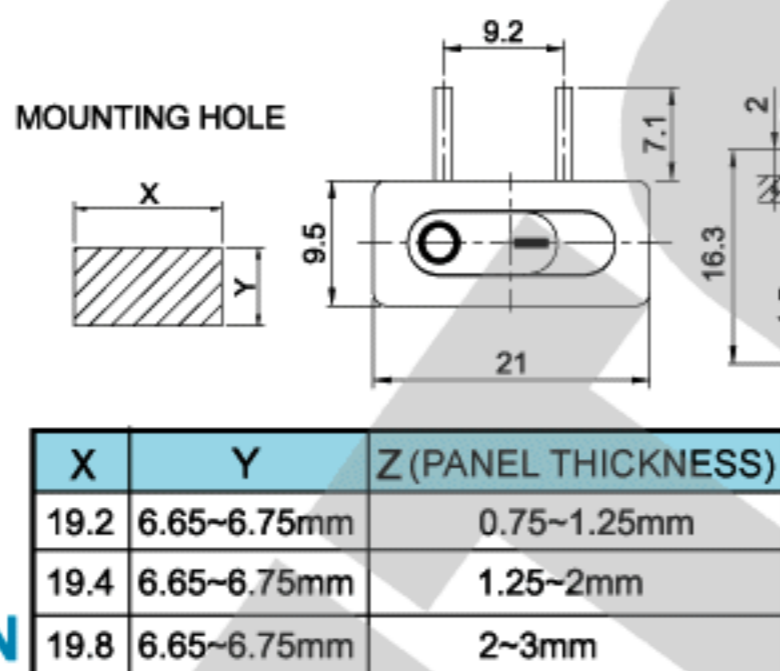
MOUNTING HOLE		
PANEL THICKNESS	X	Y
0.7 ~ 3	6.65 ~ 6.75	19.2 ~ 19.4



Tiny



MRH12-C5N-BWN



X	Y	Z (PANEL THICKNESS)
19.2	6.65~6.75mm	0.75~1.25mm
19.4	6.65~6.75mm	1.25~2mm
19.8	6.65~6.75mm	2~3mm

Rating : 12A 125V AC, 10A 250V AC 1/HP. (CSA)
 10A 125V AC, 8A 250V AC 1/4HP. (UL)
 10(4)A 250V ~ T125. (VDE, SEMKO, DEMKO, NEMKO, FIMKO, SEV, CQC)
 Contact resistance : 20mΩ Max.
 Insulation resistance : 100MΩ Min.
 Withstanding voltage : 1,000V AC for 1 minute.

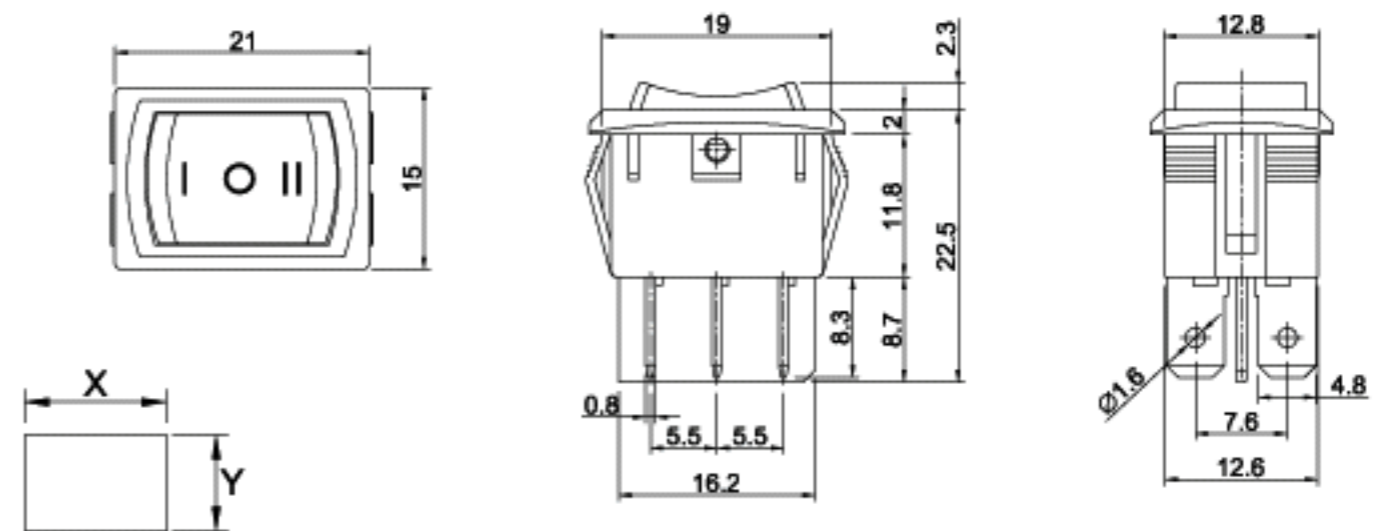
Tiny



MR3-230

MODEL NO.	TYPE
MR3-220	DPDT ON ON
MR3-230	DPDT ON OFF ON
MR3-250	DPDT (ON) ON

PANEL THICKNESS	X	Y
0.75 ~ 1.25	19.2 \ 19.1	13.0 \ 12.9
1.25 ~ 2.00	19.4 \ 19.3	13.0 \ 12.9
2.00 ~ 3.00	19.8 \ 19.7	13.0 \ 12.9

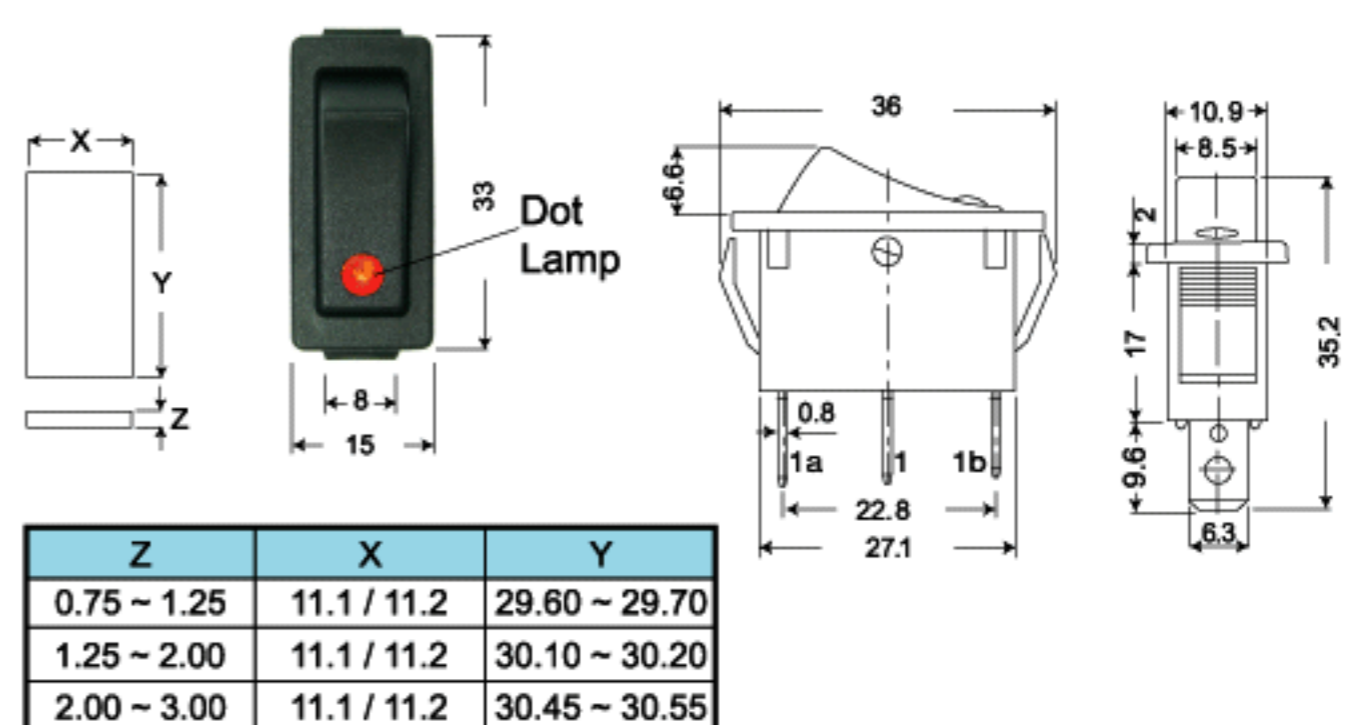


R4 series



**16A 250V AC
20A 125V AC**

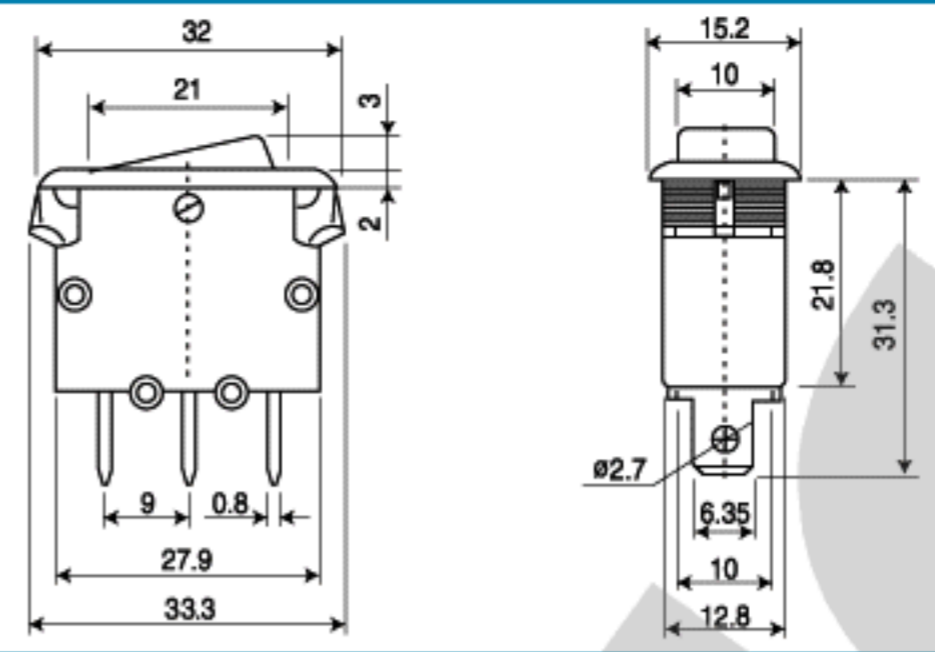
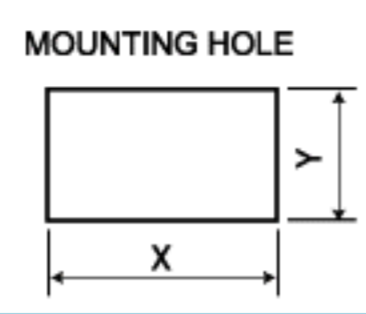
MODEL NO.	TYPE
R415	SPST ON OFF
R425	SPDT ON ON
R435	SPDT ON OFF ON
R445	SPDT ON (ON)
R455	SPST OFF (ON)
R465	SPDT (ON) OFF (ON)
R475	SPST ON (OFF)
R485	SPDT ON OFF (ON)
R495□□□T□□	SPST Dot Illuminated
R495□□□ET□	SPST Full Rocker Illuminated



Z	X	Y
0.75 ~ 1.25	11.1 / 11.2	29.60 ~ 29.70
1.25 ~ 2.00	11.1 / 11.2	30.10 ~ 30.20
2.00 ~ 3.00	11.1 / 11.2	30.45 ~ 30.55

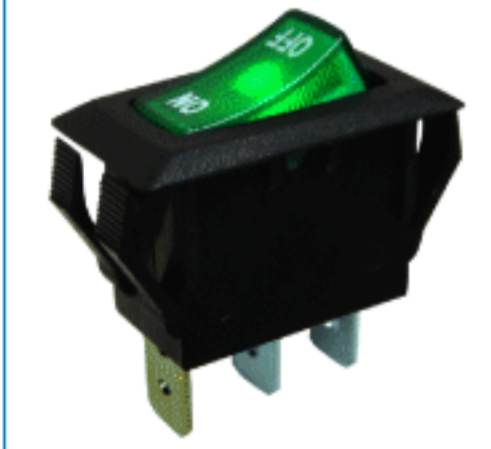


PANEL THICKNESS	DIM. X	DIM. Y
0.75 ~ 1.25	28.5 ~ 28.6	13.5 ~ 13.6
1.25 ~ 2.00	28.6 ~ 28.7	13.5 ~ 13.6
2.00 ~ 3.00	28.8 ~ 28.9	13.5 ~ 13.6

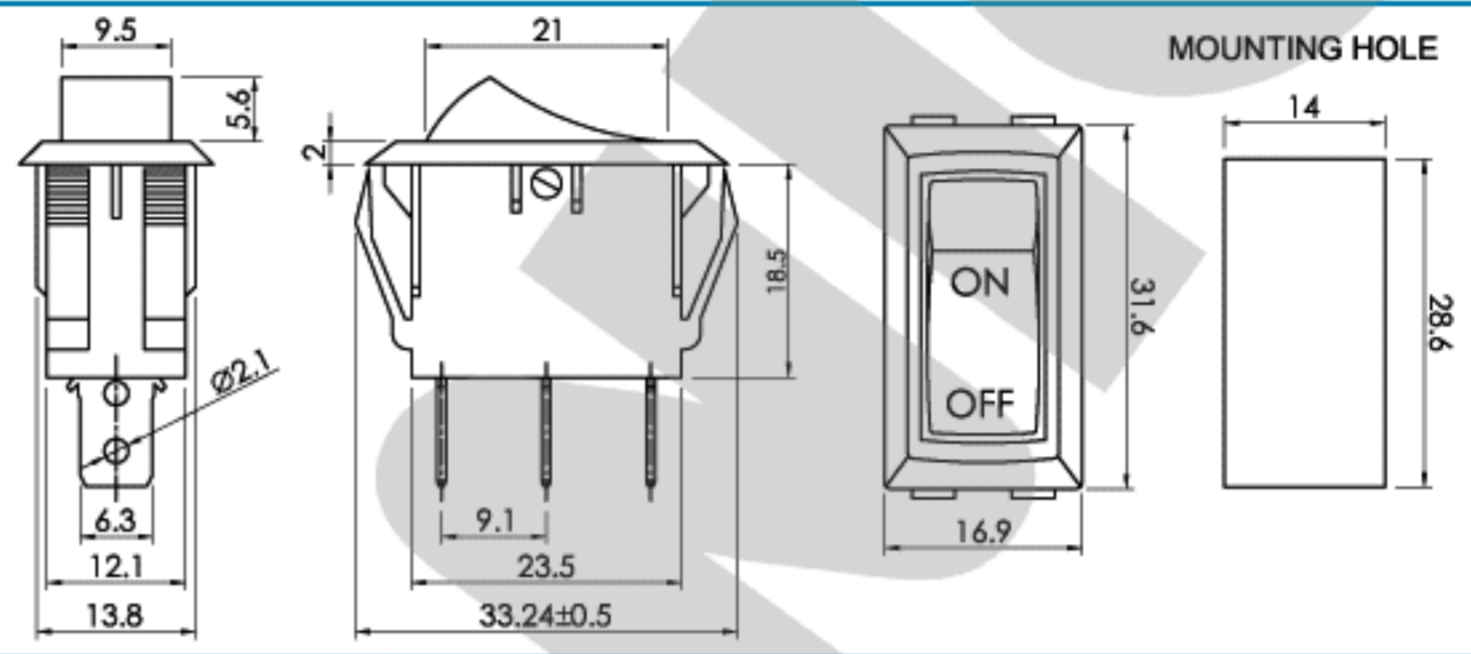


Two in One W/ Circuit Breaker

RL1-5 Series



MODEL NO.	TYPE
RL1-5A	SPST ON OFF
RL1-5B	SPDT ON ON
RL1-5C	SPDT ON OFF ON
RL1-5D	SPST (ON) OFF
RL1-5E	SPST ON (OFF)
RL1-5F	SPST (ON) ON
RL1-5H	SPDT (ON) OFF ON
RL1-5L	SPST Illuminated

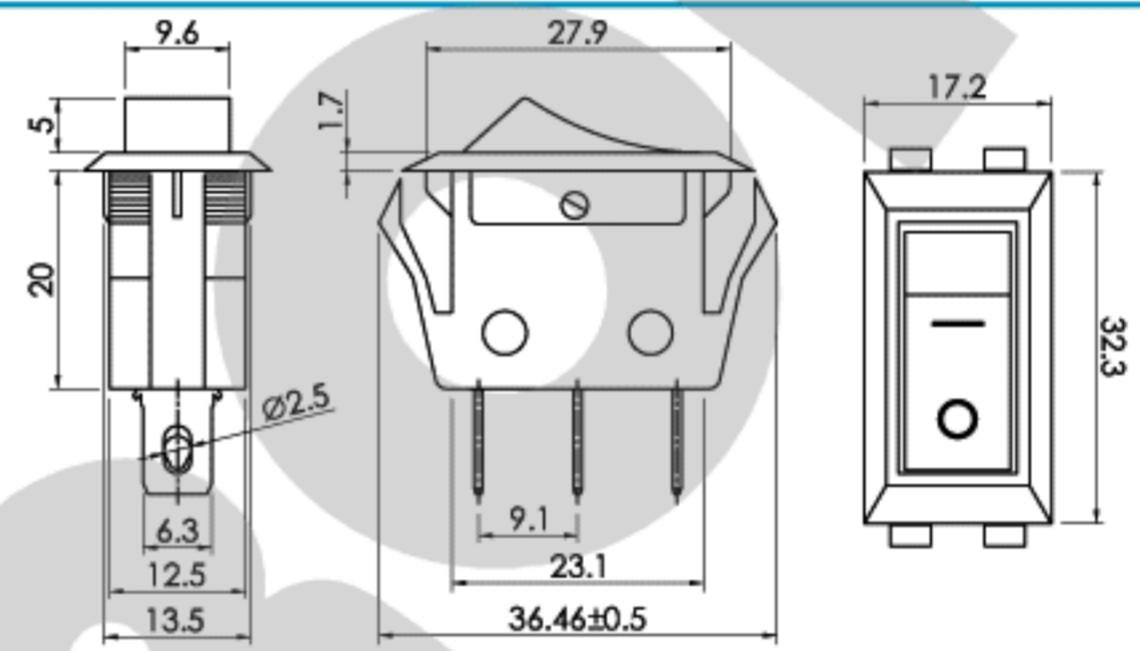
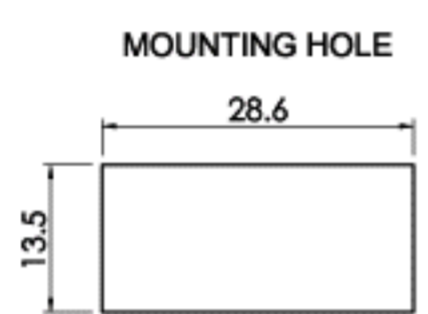


15A 125V AC
10A 250V AC

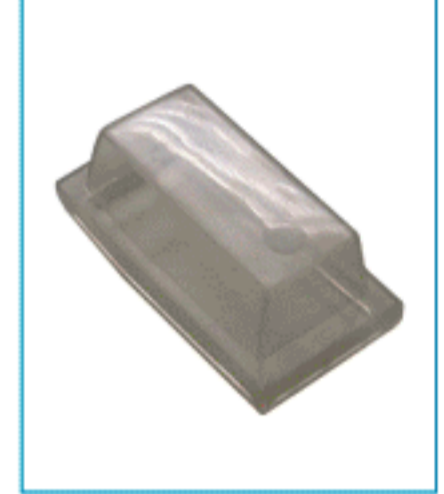
RL1-5W Series



MODEL NO.	TYPE
RL1-5WA	SPST ON OFF
RL1-5WL	SPST Illuminated



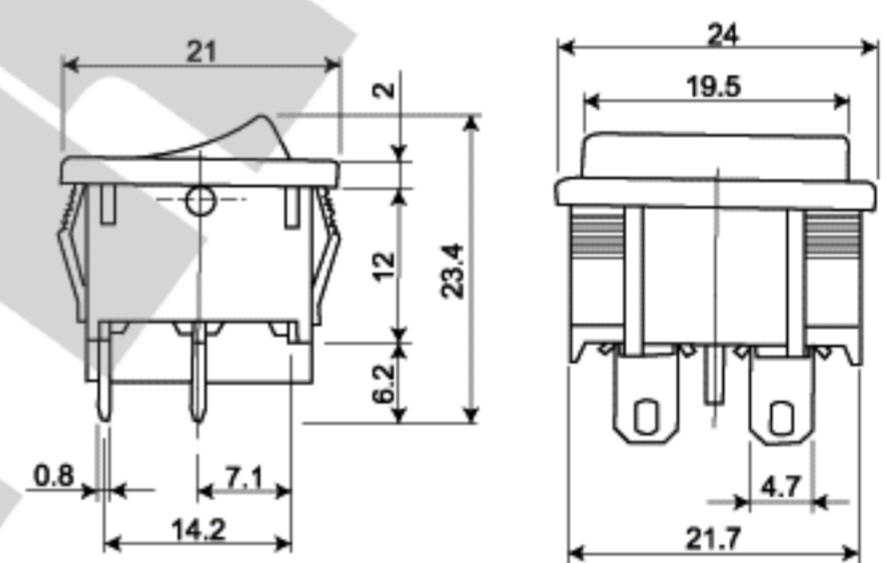
RL1 SERIES CAP



15A 125V AC
10A 250V AC



MODEL NO.	TYPE
RS-606PA	DPST ON OFF
RS-606PB	DPDT ON ON
RS-606PC	DPDT ON OFF ON
RS-606PD	DPST (ON) OFF
RS-606PE	DPST ON (OFF)
RS-606PF	DPDT (ON) ON
R13-33B	DPST Illuminated
R13-33D	DPDT ON OFF ON
R13-33H	DPDT ON OFF (ON)
R13-33I	DPDT (ON) OFF (ON)



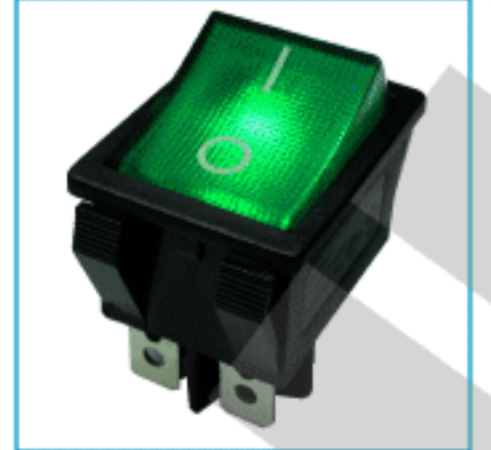
MOUNTING HOLE : 22 x 19.4mm

606P SEAL CAP

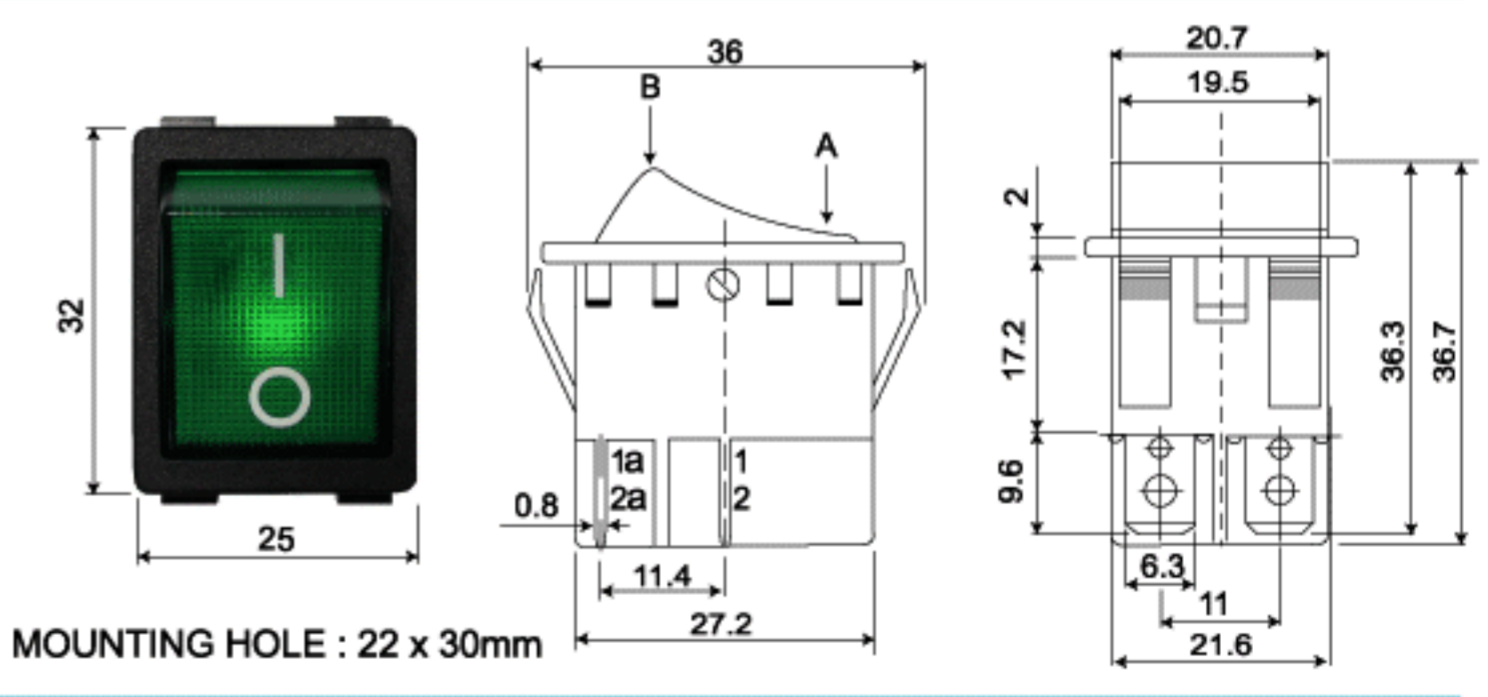


RS-606P: 6A 250V AC
SS24: 16A 250V AC

R5 series



MODEL NO.	TYPE
R515	DPST ON OFF
R525	DPDT ON ON
R535	DPDT ON OFF ON
R545	DPDT ON (ON)
R555	DPST OFF (ON)
R565	DPDT (ON) OFF (ON)
R575	DPDT ON (OFF)
R585	DPDT ON OFF (ON)
R595	DPST Illuminated



MOUNTING HOLE : 22 x 30mm

16A 250V AC
20A 125V AC

HOW TO ORDER

MODEL NO.	+	HOUSING COLOR	+	ROCKER COLOR	or	LAMP COLOR	+	MARKING	+	TERMINAL TYPE	+	LAMP VOLTAGE	+	LAMP COLOR
		B : BLACK W : WHITE G : GRAY		B : BLACK W : WHITE G : GRAY R : RED Y : YELLOW GN : GREEN		R : RED Y : YELLOW GN : GREEN				T S		□ : NO LAMP 1 : 125V AC 2 : 250V AC 3 : 12V DC 4 : 24V DC		※ For R495□□□□□□□□ Dot Illuminated only { R : RED Y : YELLOW GN : GREEN

Rocker Switches W/LAMP ILLUMINATED



RL3-5ABBAT



RL3-5CBBET



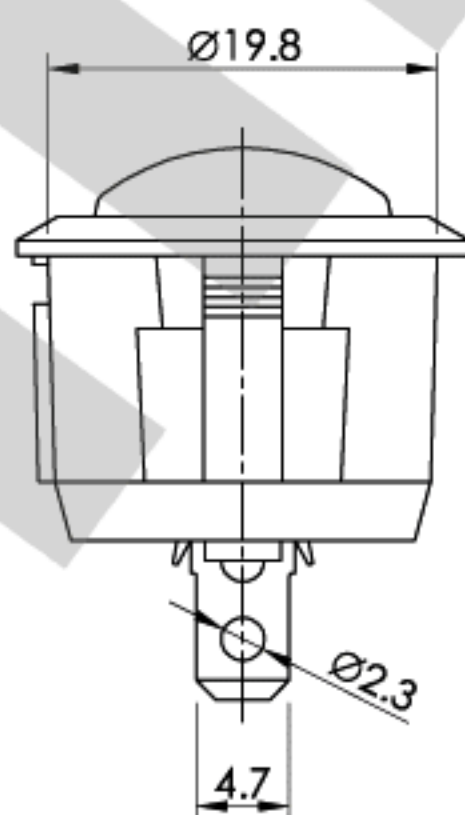
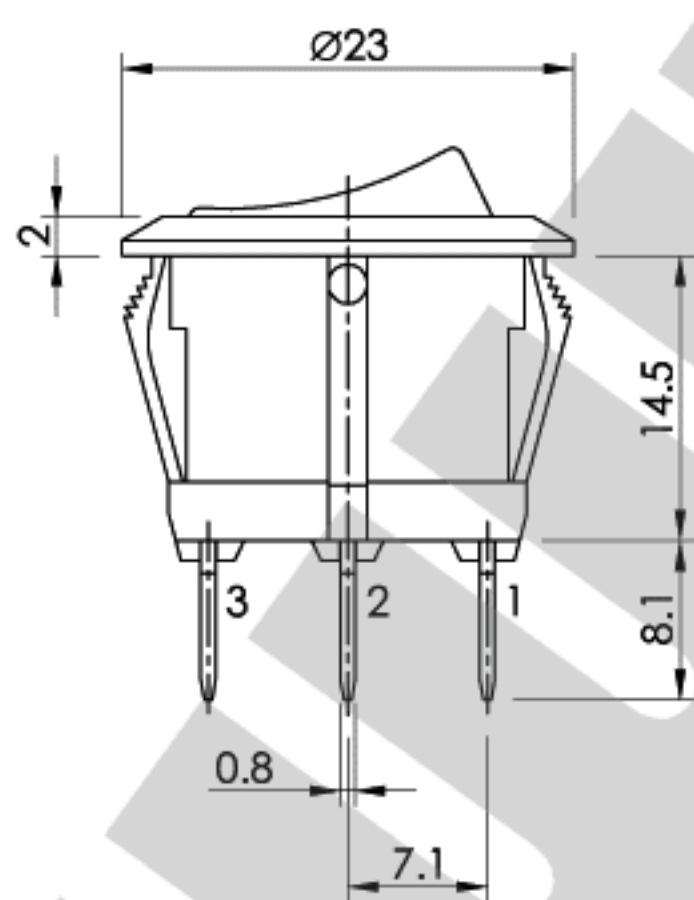
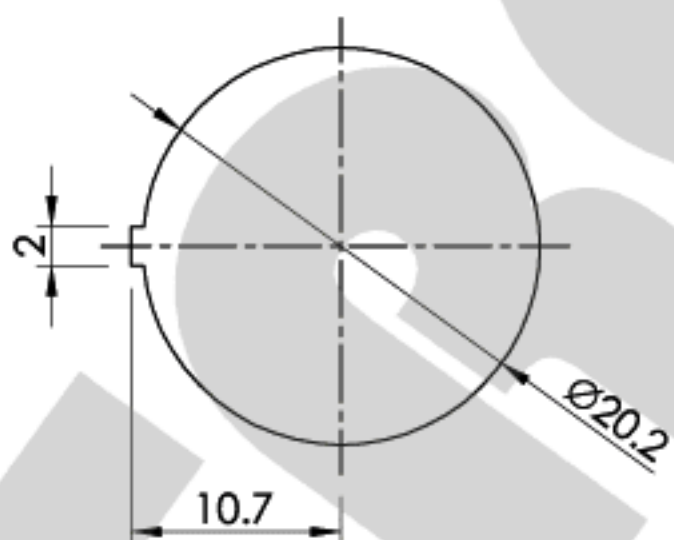
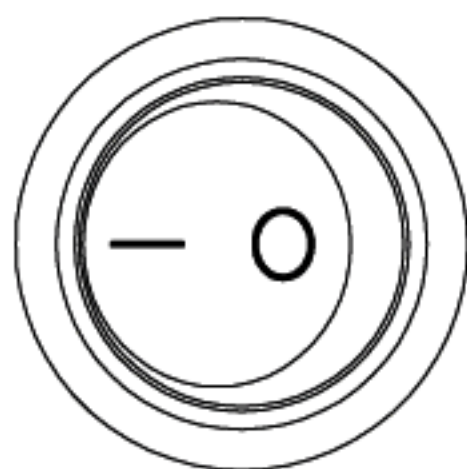
RL3-5LBGNBT



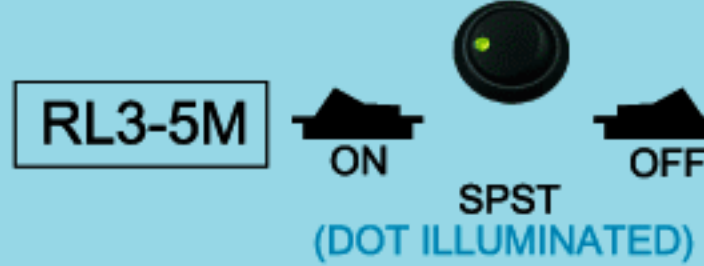
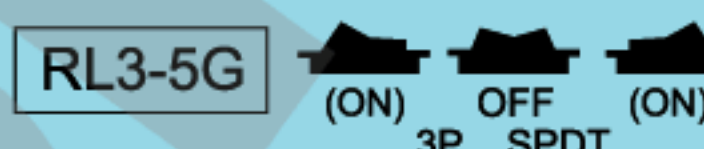
RL3-5MBBOTR



MOUNTING HOLE

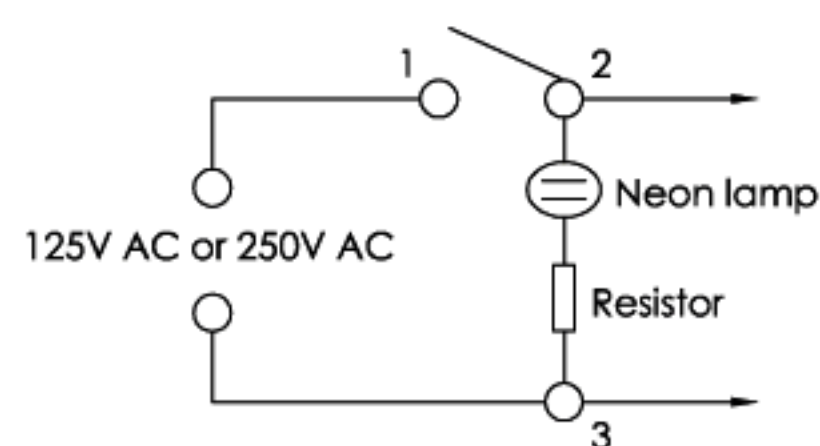


FUNCTION



Rating : H : 10A 125V AC / 6A 250V AC
 T : 16A 125V AC / 10A 250V AC
 Insulation resistance : 100MΩ Min. at 500V DC
 Contact resistance : <20mΩ
 Withstand voltage : 1,500V AC for 1 minute

CIRCUIT OF SWITCH



HOW TO ORDER

MODEL NO.	HOUSING COLOR	ROCKER COLOR	LAMP COLOR	MARKING	TERMINAL TYPE	LAMP COLOR	LAMP VOLTAGE	RATING
RL3-5A RL3-5B RL3-5C RL3-5D RL3-5H RL3-5G RL3-5L RL3-5M	B : BLACK W : WHITE G : GRAY	B : BLACK W : WHITE G : GRAY R : RED Y : YELLOW GN: GREEN	R : RED Y : YELLOW GN: GREEN		T	For RL3-5M □□OT□ R : RED Y : YELLOW GN: GREEN	□: NO LAMP 1 : 125V AC 2 : 250V AC 3 : 12V DC 4 : 24V DC	H : 10A 125V AC 6A 250V AC T : 16A 125V AC 10A 250V AC

Rocker Switches W/LAMP or LED ILLUMINATED



LICO

RC15BBAT



RC35BBET



RC95BYBT2

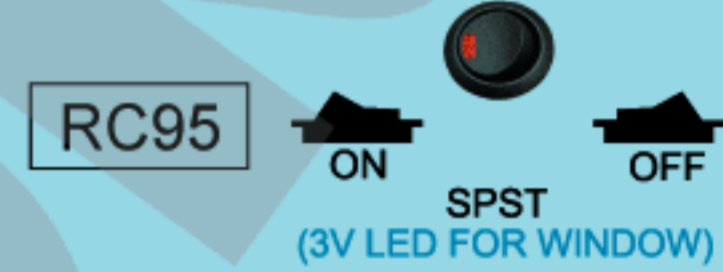


RC95BBOTR5



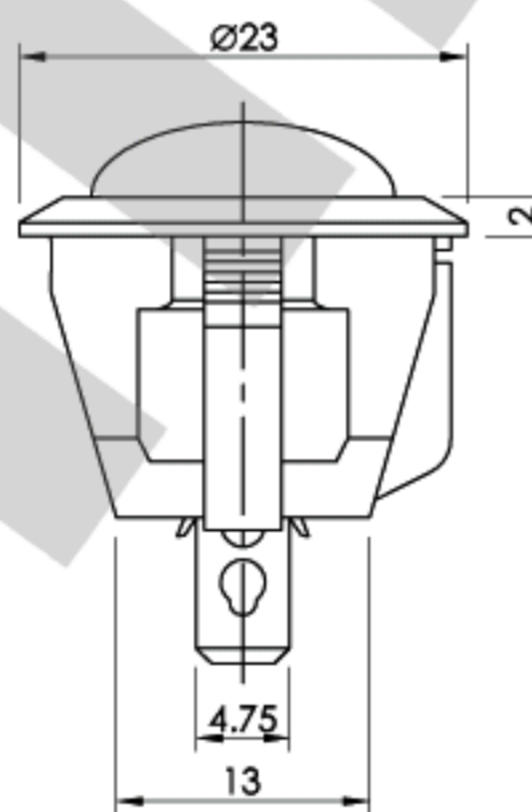
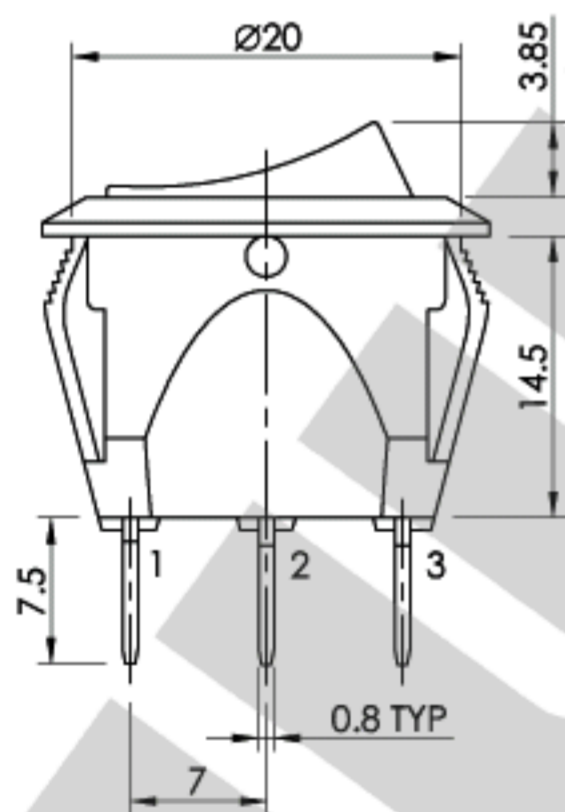
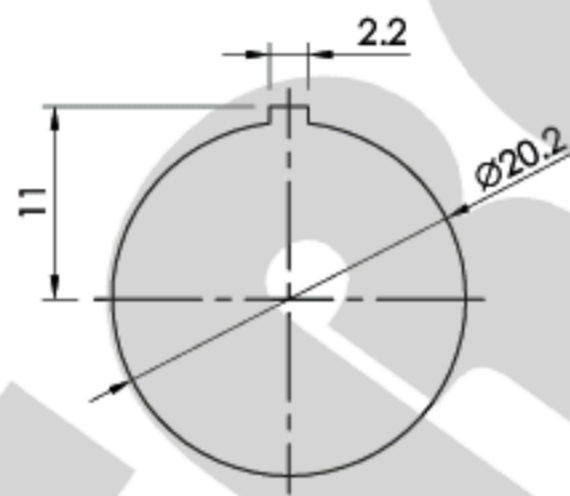
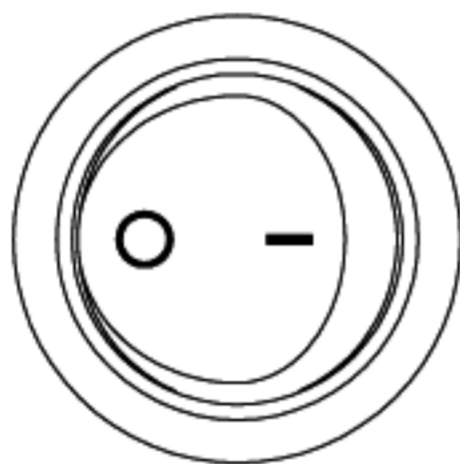
W/LED

FUNCTION

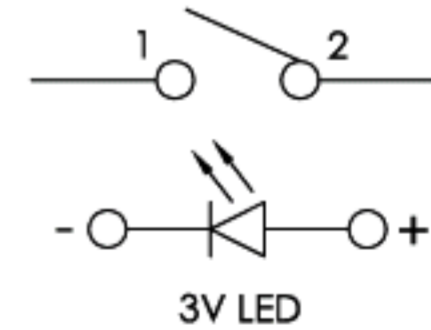
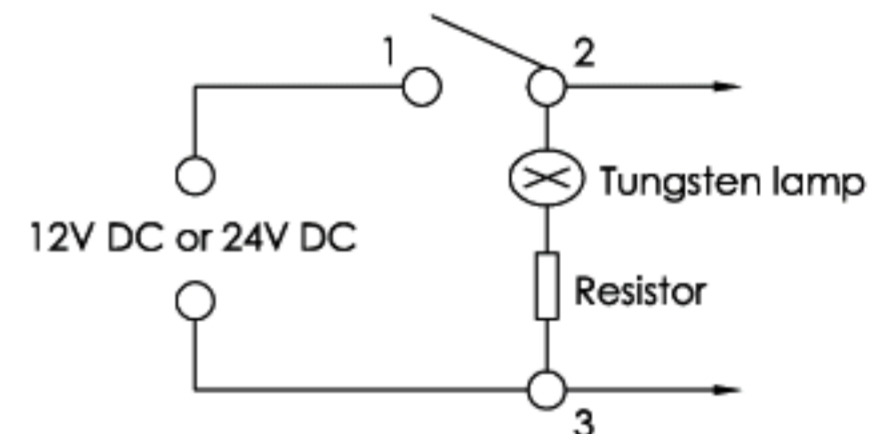
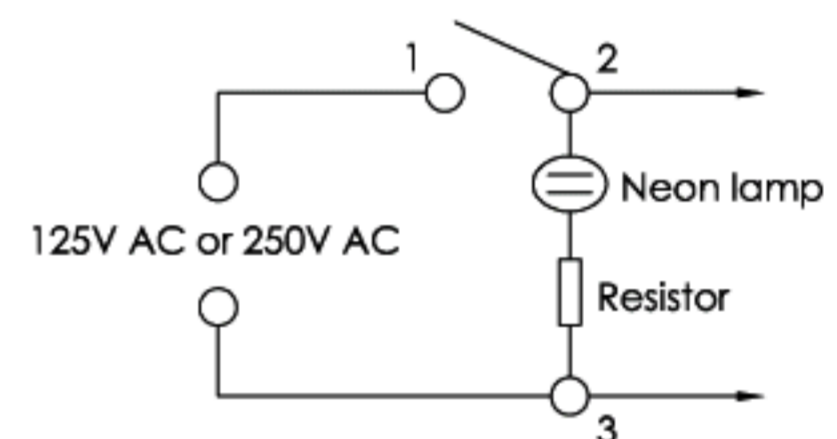


Rating : 15A 125V AC / 10A 250V AC
 Insulation resistance : >1,000MΩ
 Contact resistance : <20mΩ
 Withstand voltage : 1,500V AC for 1 minute

MOUNTING HOLE



CIRCUIT OF SWITCH



HOW TO ORDER

MODEL NO.	HOUSING COLOR	ROCKER COLOR	LAMP COLOR	MARKING	TERMINAL TYPE	LED COLOR	LAMP OR LED VOLTAGE
RC15 RC25 RC35 RC95	B : BLACK W : WHITE G : GRAY	B : BLACK W : WHITE G : GRAY R : RED Y : YELLOW GN: GREEN	FOR NEON LAMP TUNGSTEN LAMP R : RED Y : YELLOW GN: GREEN		T	□ : NO WINDOW R : RED Y : YELLOW GN: GREEN	□ : NO LAMP 1 : 125V AC NEON 2 : 250V AC NEON 3 : 12V DC TUNGSTEN 4 : 24V DC TUNGSTEN 5 : 3V DC LED

Rocker Switches W/LAMP or LED ILLUMINATED



R13-112B



R13-112B2



R13-135B

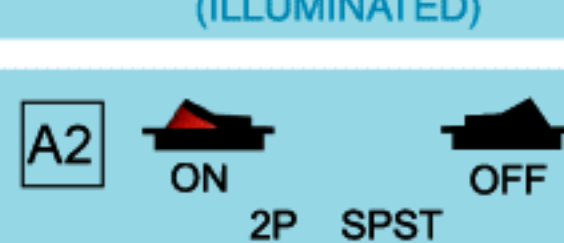
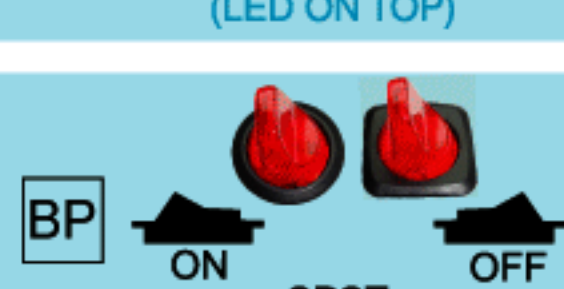
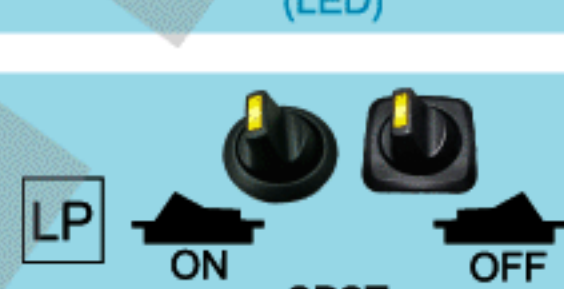
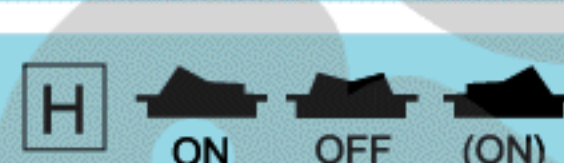
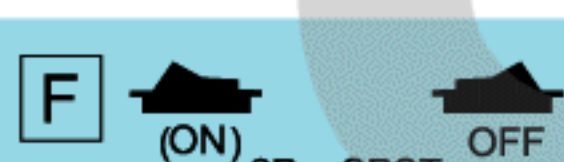
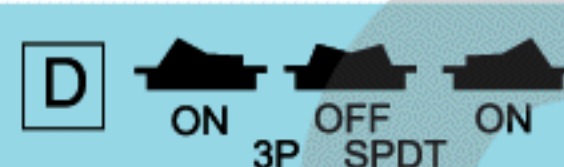
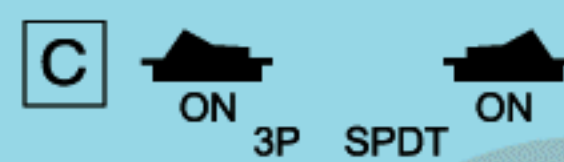
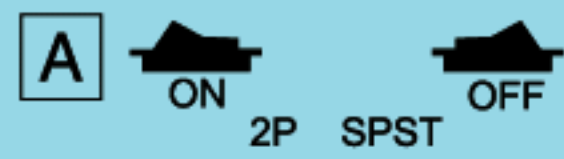


LICO

R13-135B2



FUNCTION



R13-112L



R13-112LP



R13-135L



R13-135LP



R13-112BP



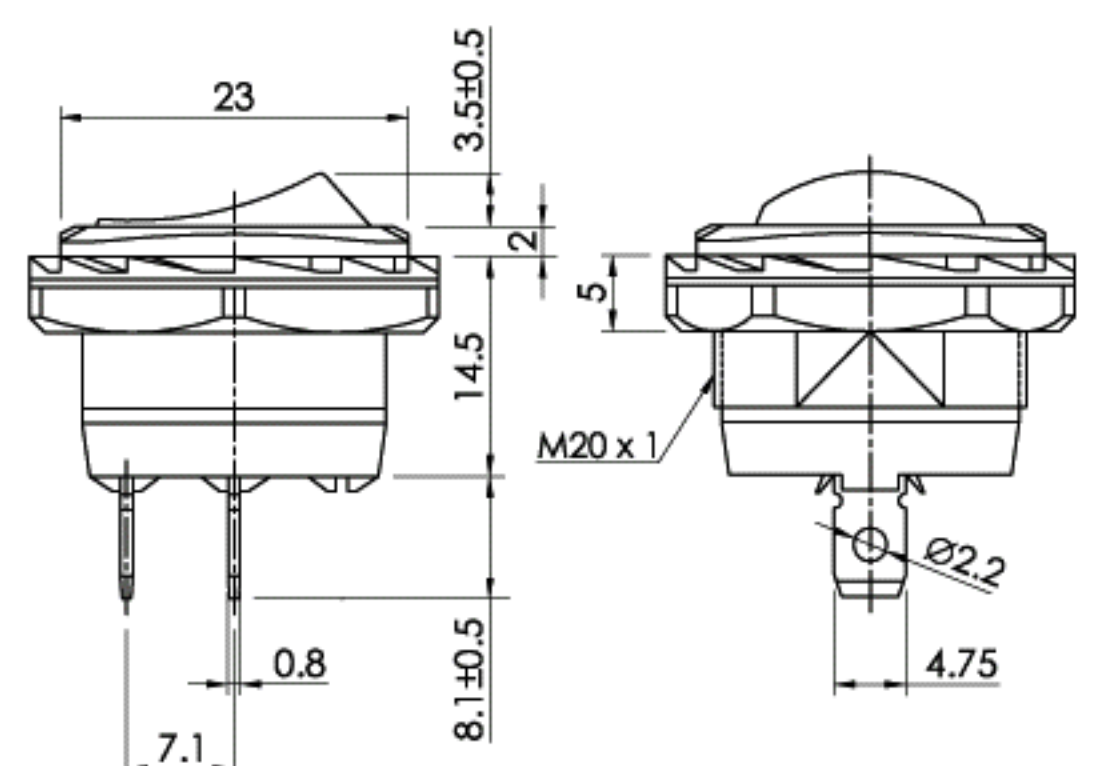
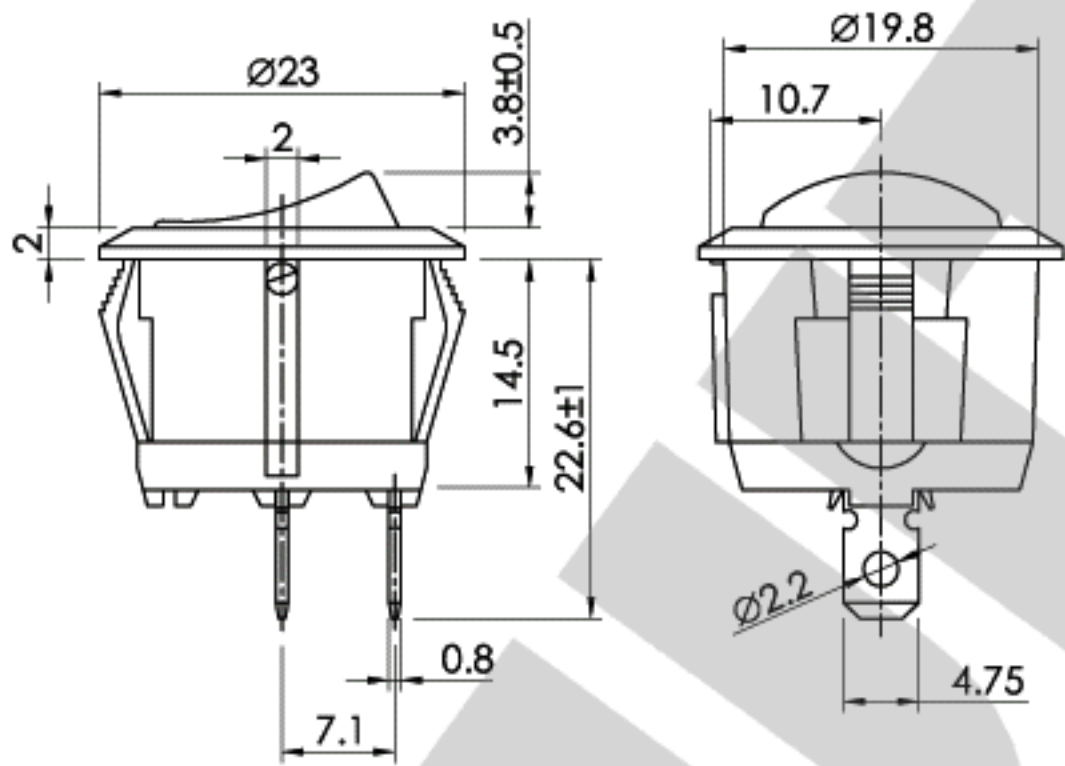
R13-112A2



R13-135BP

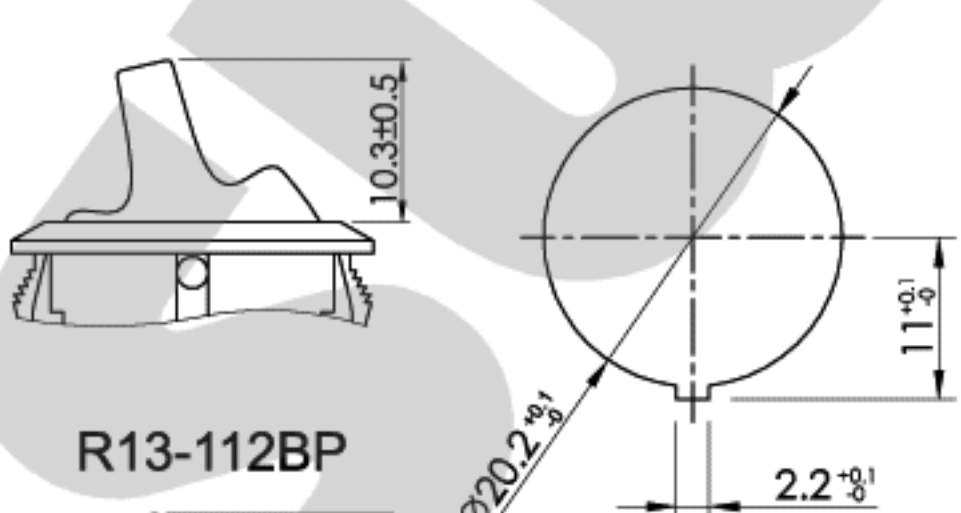


R13-135A2

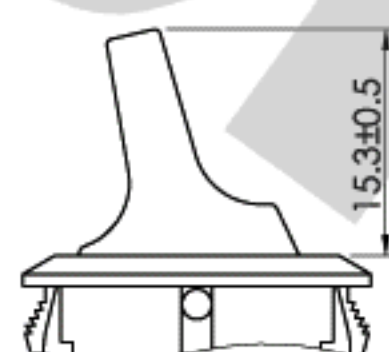


R13-112LP

MOUNTING HOLE

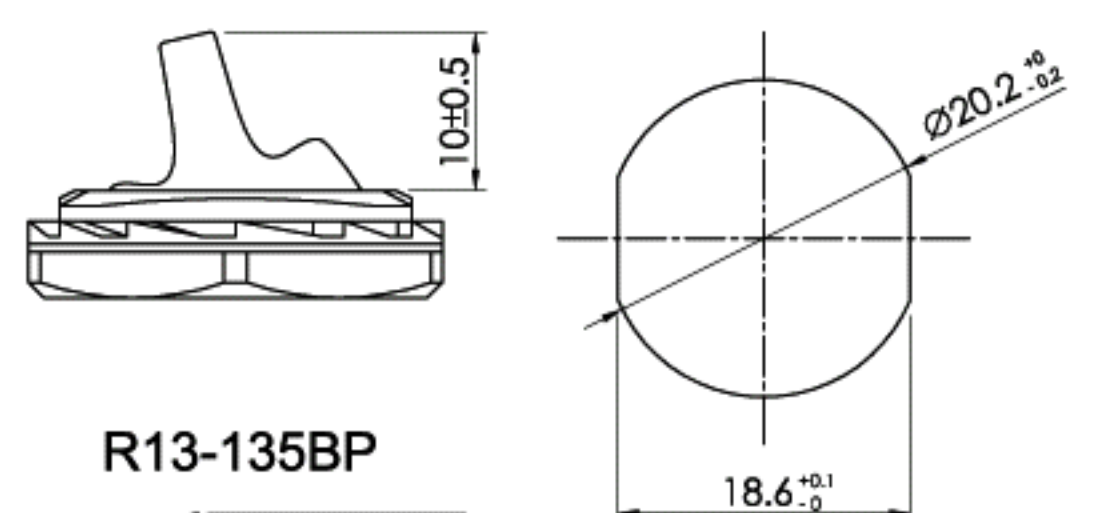


R13-112BP

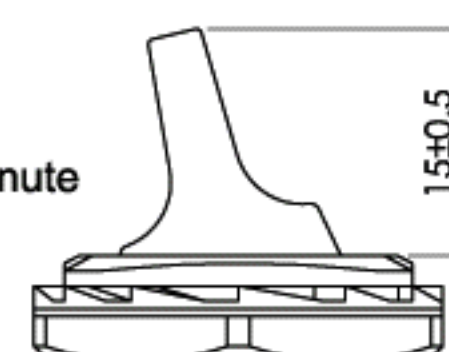


R13-135LP

MOUNTING HOLE

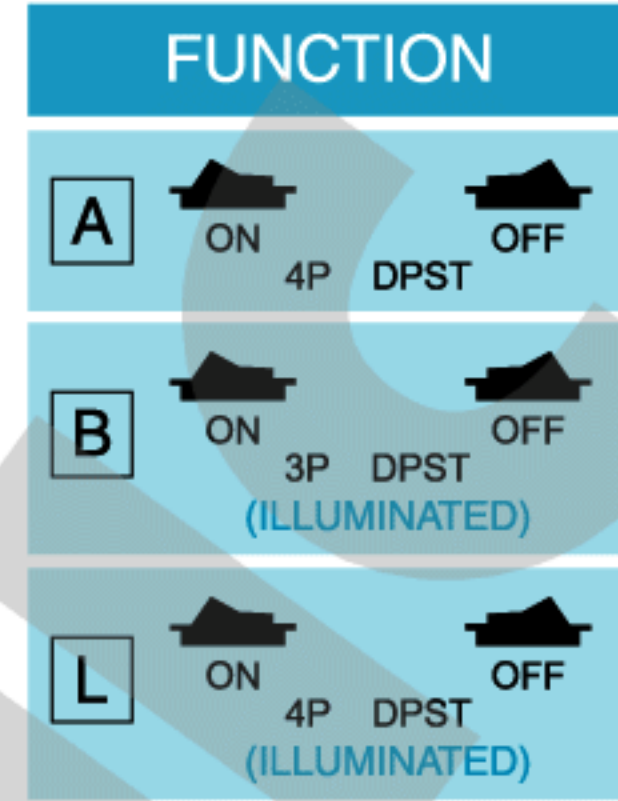
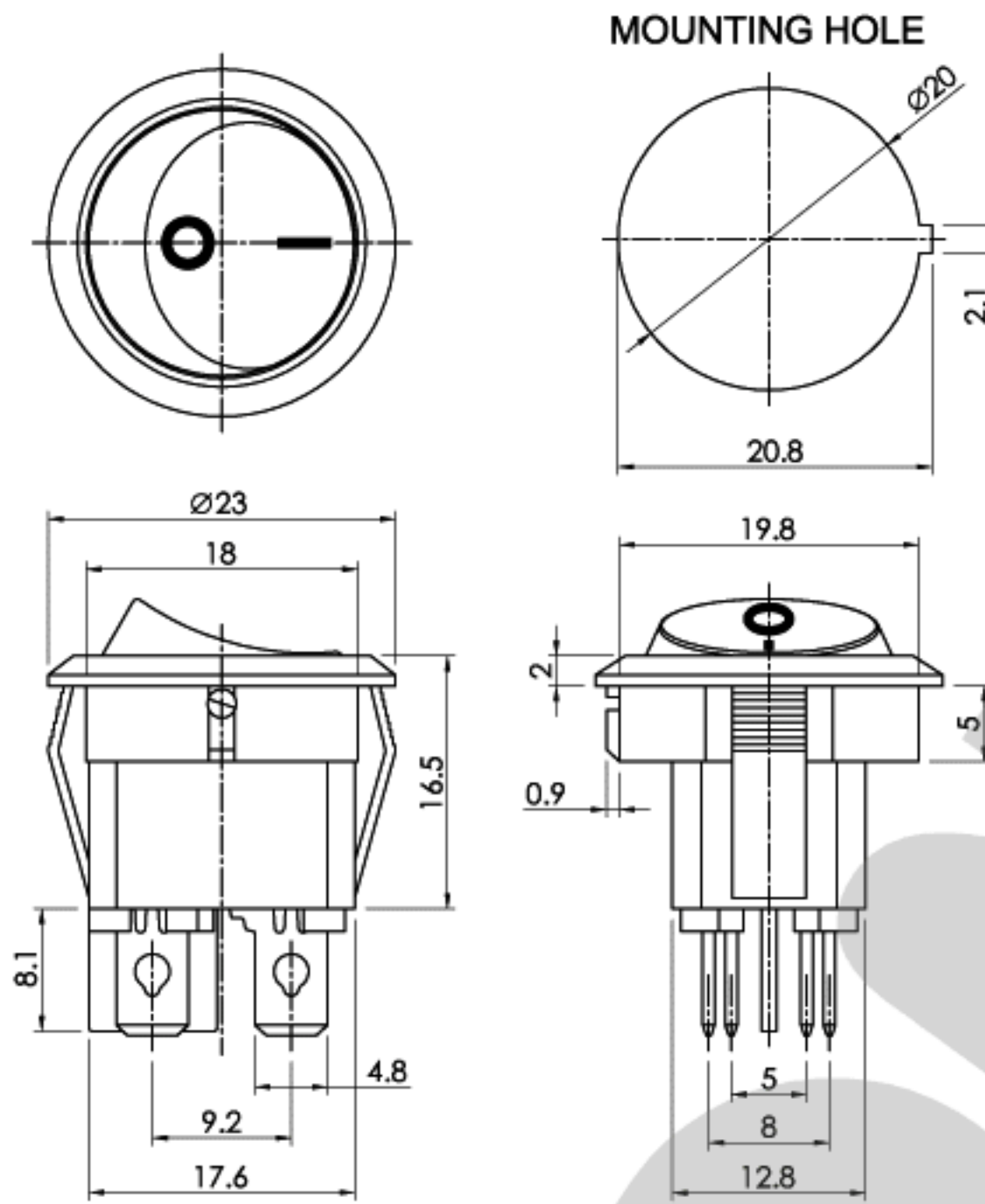


R13-135BP

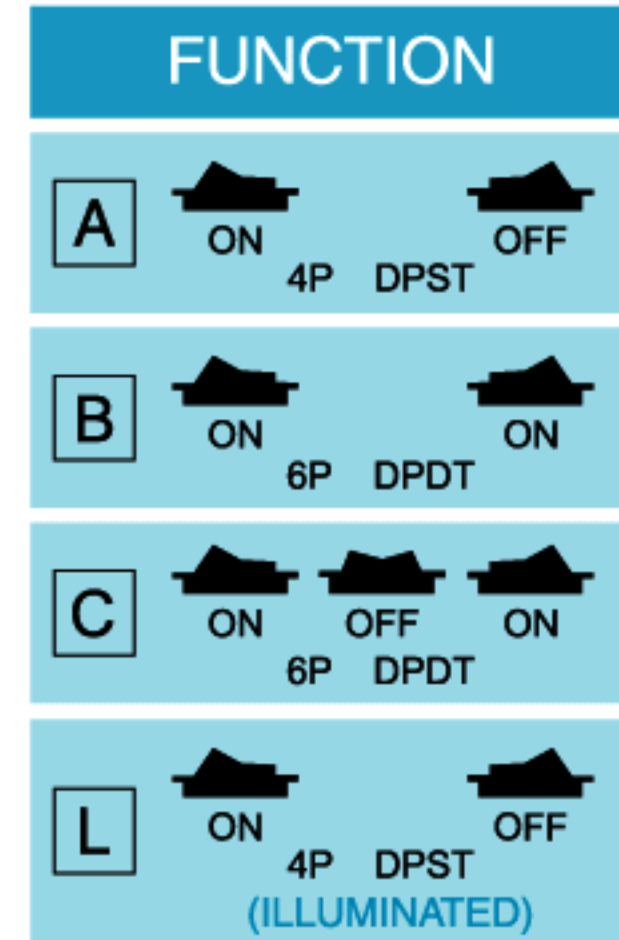
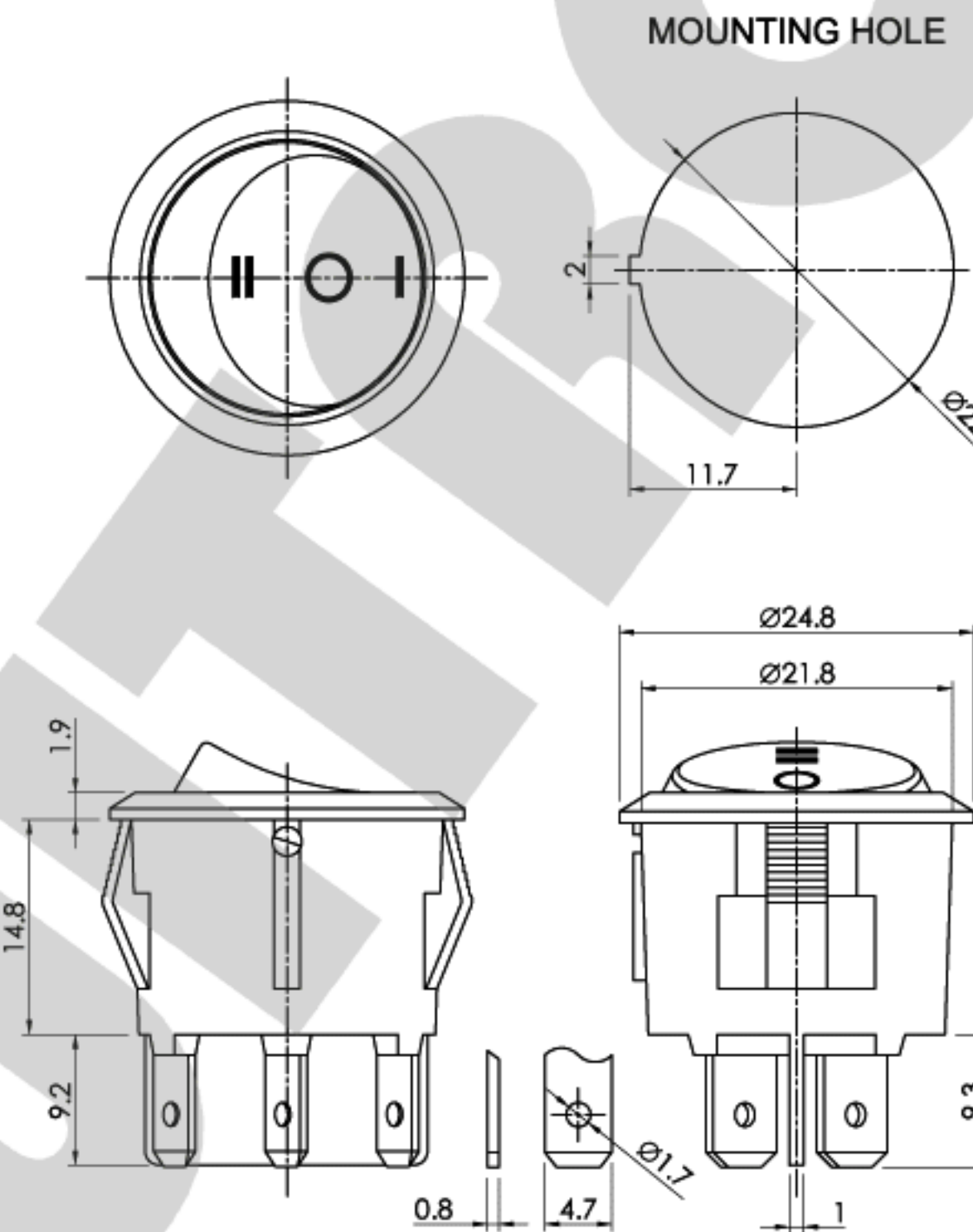


Rating : 10A 125V AC / 6A 250V AC
 Contact resistance : 50mΩ Max.
 Withstand voltage : 1,500V AC for 1 minute

Rocker Switches DPST/DPDT w/LAMP or LED ILLUMINATED



Rating : H : 10A 125V AC
6A 250V AC
T : 15A 125V AC
10A 250V AC
Contact resistance : 20m Ω Max.
Withstand voltage : 1,500 AC for 1 minute



Rating : H : 10A 125V AC
6A 250V AC
T : 15A 125V AC
10A 250V AC
Contact resistance : 20m Ω Max.
Withstand voltage : 1,500 AC for 1 minute



HOW TO ORDER

MODEL NO.	FUNCTION	HOUSING COLOR	ROCKER COLOR	LAMP COLOR	MARKING	TERMINAL TYPE	For R13 Only LAMP OR LED COLOR	LAMP OR LED VOLTAGE	RATING
B : BLACK W : WHITE G : GRAY	B : BLACK W : WHITE G : GRAY R : RED Y : YELLOW GN: GREEN	R : RED Y : YELLOW GN: GREEN	A B D O E F	T S	For R13-112B2□□□□ R13-112L□□□□□ R13-112LP□□□□□ R13-135B2□□□□□ R13-135L□□□□□ R13-135LP□□□□□ R13-405□□□□□□□	□ : NO LAMP 1 : 125V AC 2 : 250V AC 3 : 12V DC 4 : 24V DC 5 : 3V DC LED	For RL3-4R series RL3-5X series H : 10A 125V AC 6A 250V AC T : 15A 125V AC 10A 250V AC		

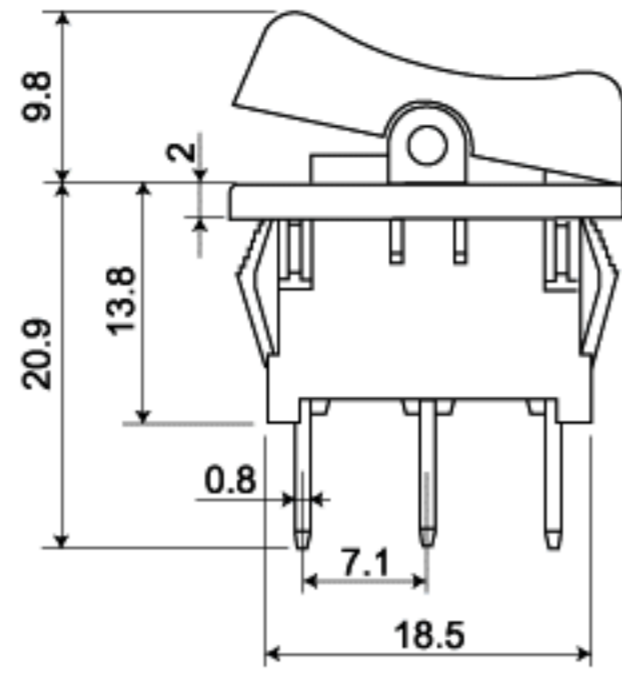
Rocker Paddle/Toggle Switches W/LED ILLUMINATED



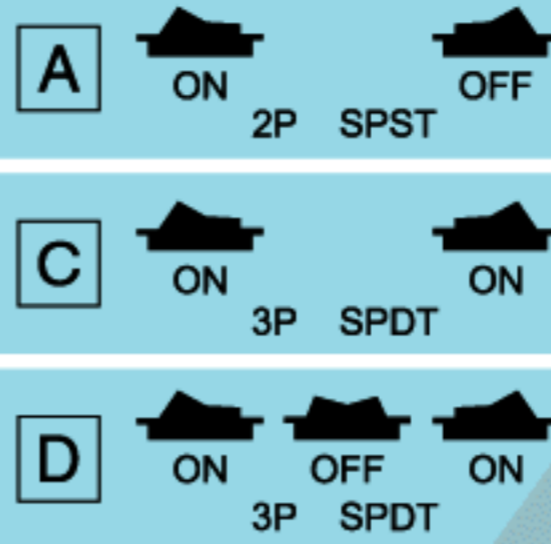
R13-211



6A 250V AC
10A 125V AC



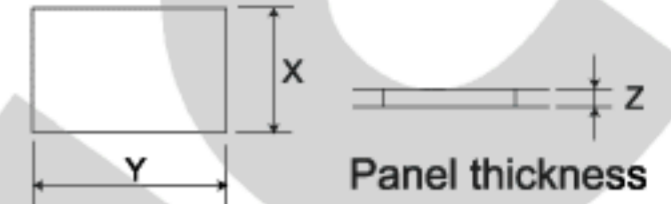
FUNCTION



R14 : NON-UL . CSA

R14A: ON OFF
R14B: ON ON
R14C: ON OFF ON

MOUNTING HOLE

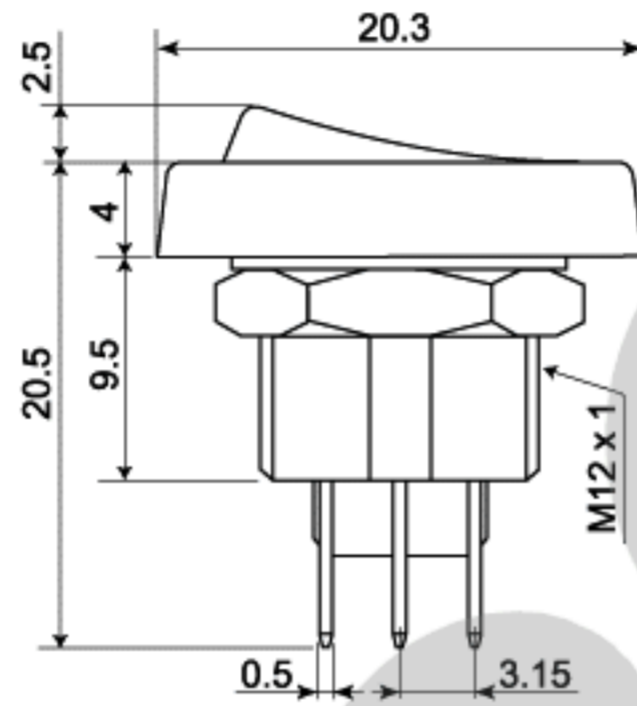


Z	X	Y
0.75 ~ 1.25	19.2 ± 0.1	13.0 ± 0.1
1.25 ~ 2.00	19.4 ± 0.1	13.0 ± 0.1
2.00 ~ 3.00	19.8 ± 0.1	13.0 ± 0.1

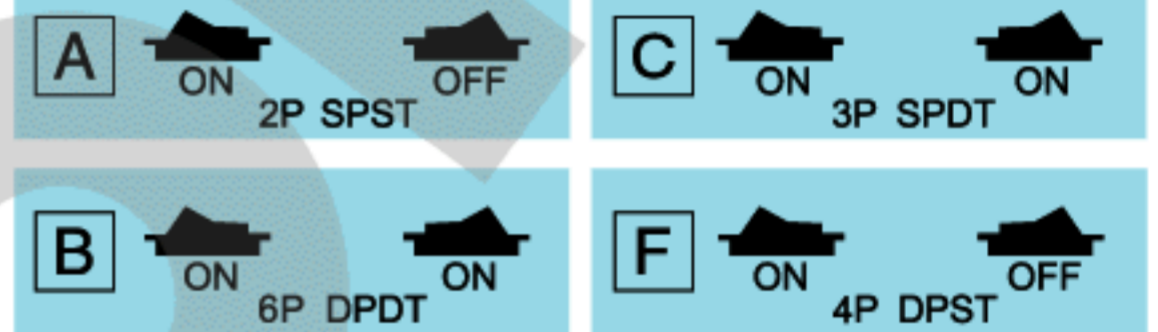
R13-213



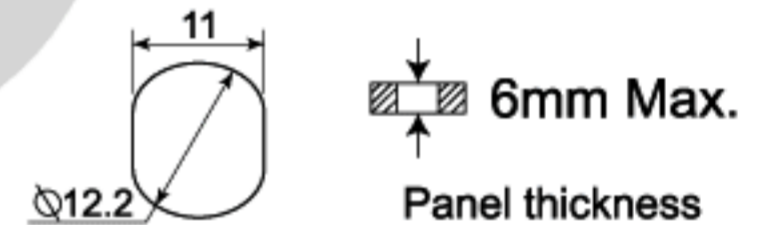
3A 250V AC
6A 125V AC



FUNCTION



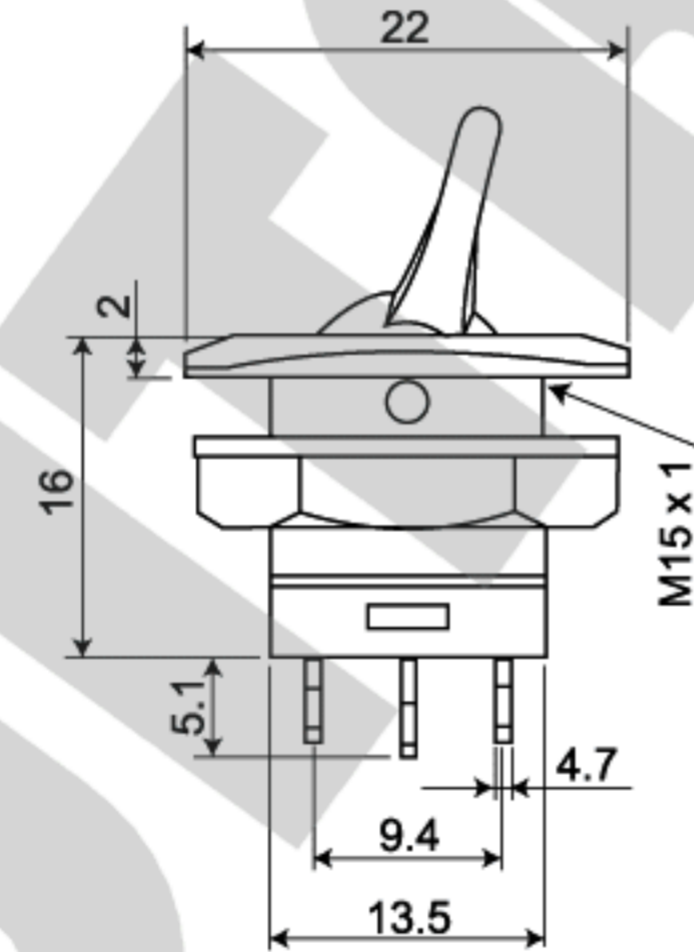
MOUNTING HOLE



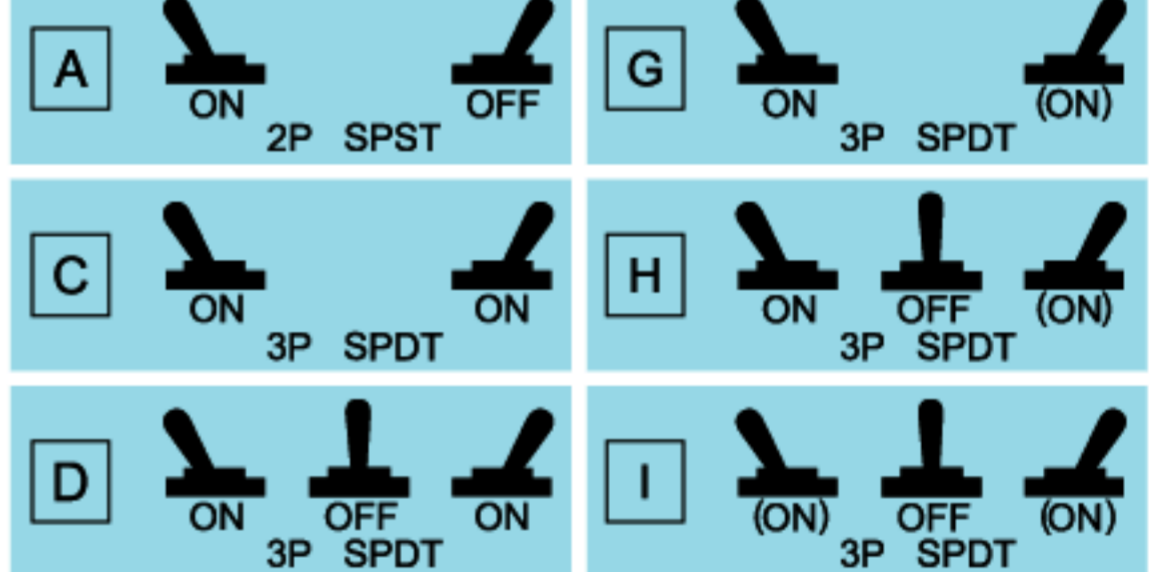
R13-402



3A 250V AC
6A 125V AC



FUNCTION



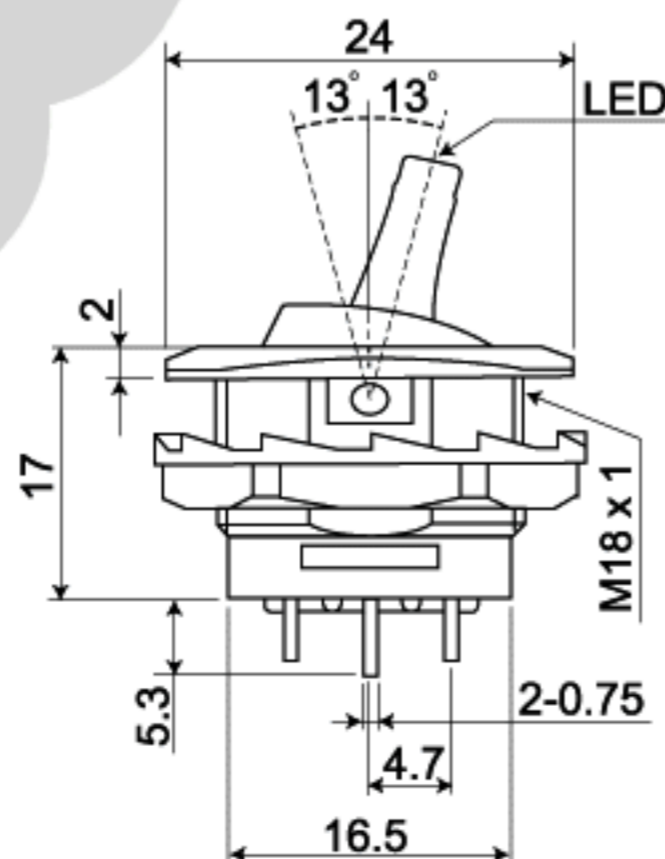
MOUNTING HOLE

Ø15

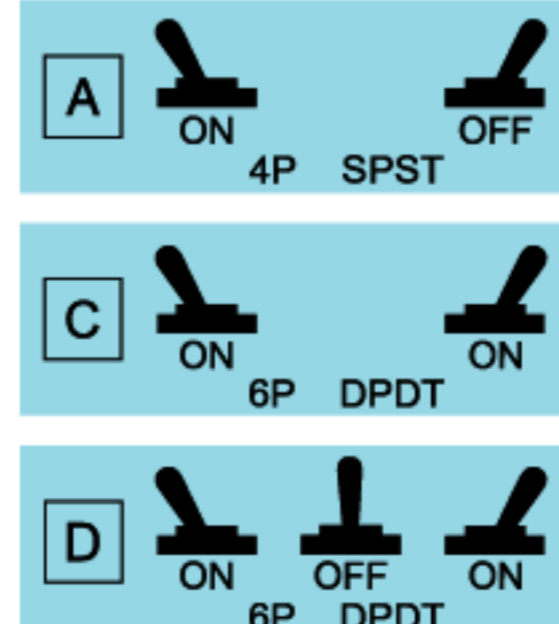
R13-405 (W/LED)



6A 250V AC
10A 125V AC



FUNCTION



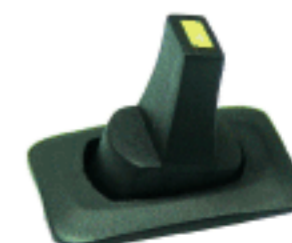
LEVER

W/O LED



MOUNTING HOLE
Ø18

With LED



5mm Max.
Panel thickness