

R19A Series Rocker Switches



LICO



R19A-12BBBT R19A-12BBAW R19A-30GWET



R19A-12BBOTP Paddle R19A-001 W/ LED R19A-32BBERL

SPECIFICATION:

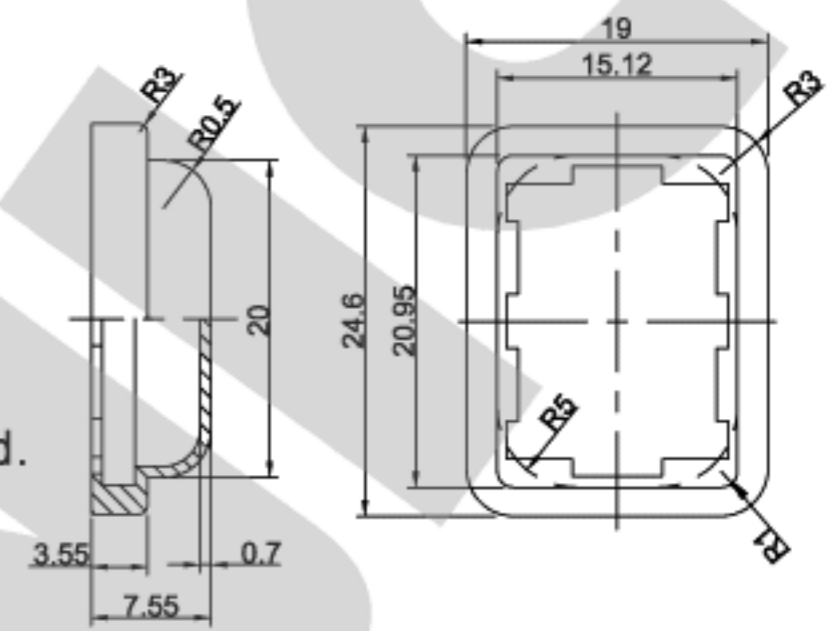
Rating: 2A 250V & 6A 250V AC (Standard), 8A 250V.
 Contacts gap: > 3mm.
 Contact resistance: < 20 mΩ.
 Insulation resistance: > 1,000MΩ.
 Withstand voltage: > 1,500V DC for 1 minute.
 Mechanical life: > 30,000 Cycles.
 Electrical life: > 10,000 Cycles.

MATERIALS:

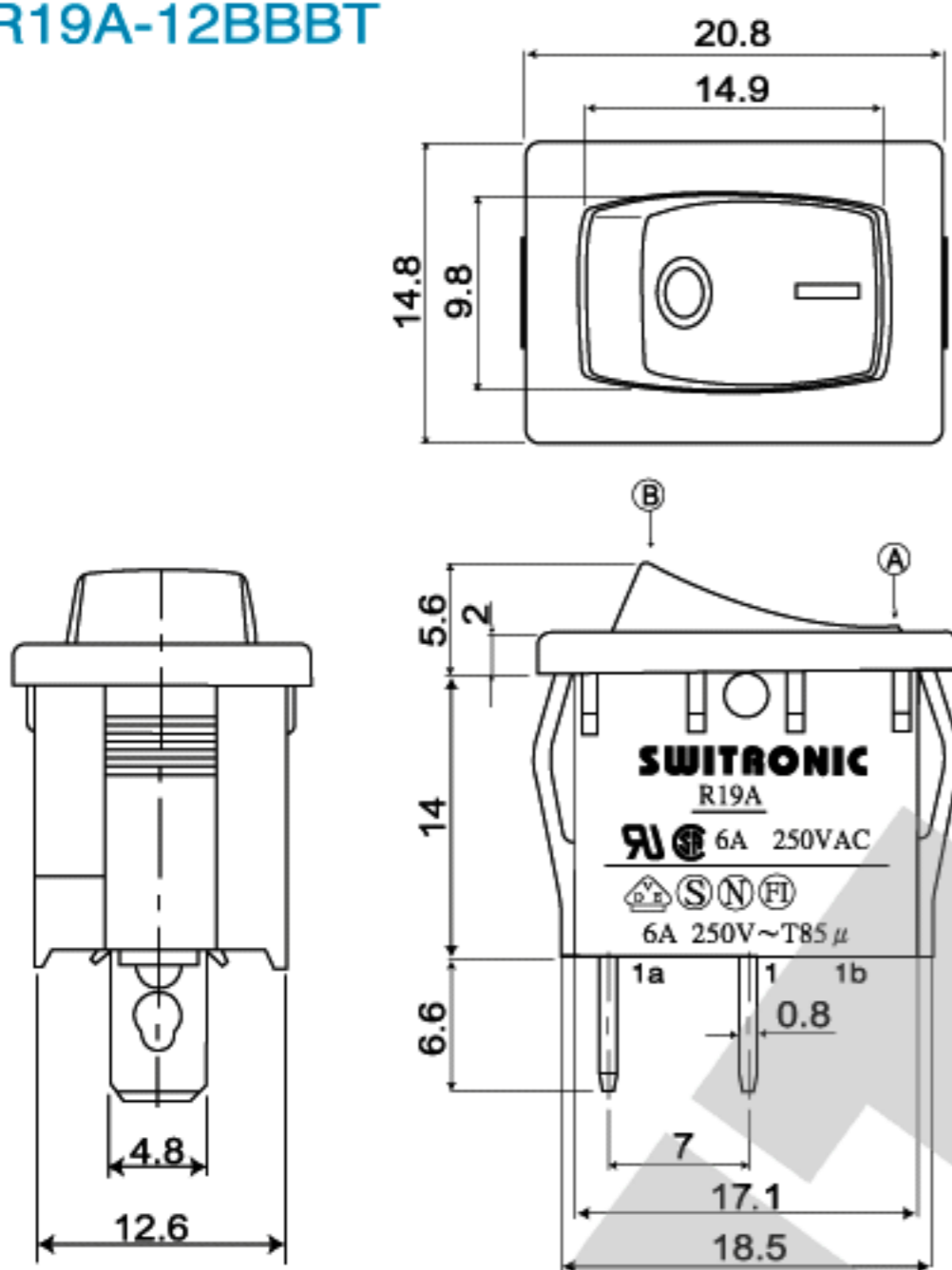
Body: Nylon 66.
 Rocker: PC or Nylon.
 Contact surface:
 Alloy Contact Point, Silver Plated.
 Illuminated: LED.
 Terminal: Brass, Silver Plated.



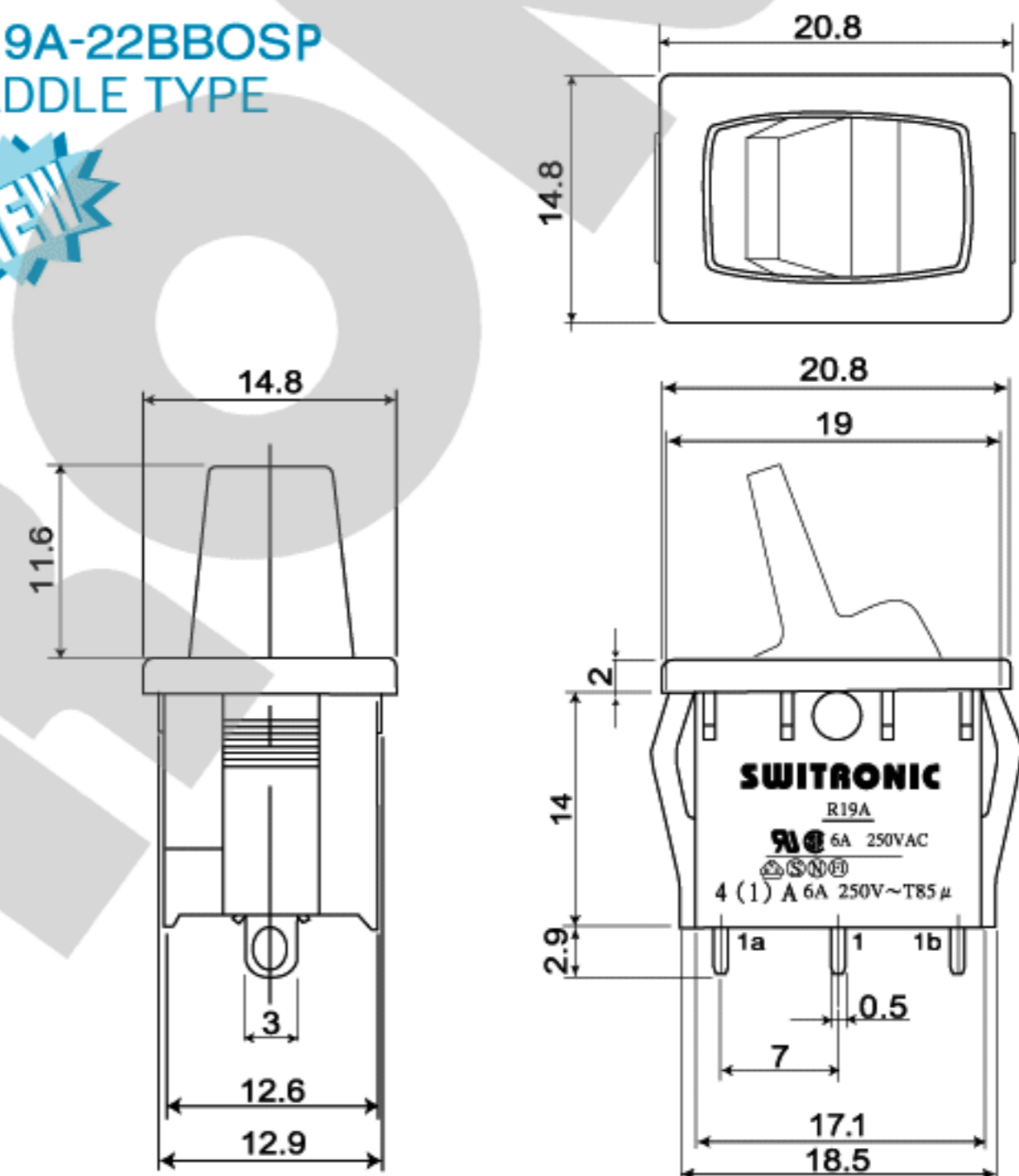
R19 SEAL CAP



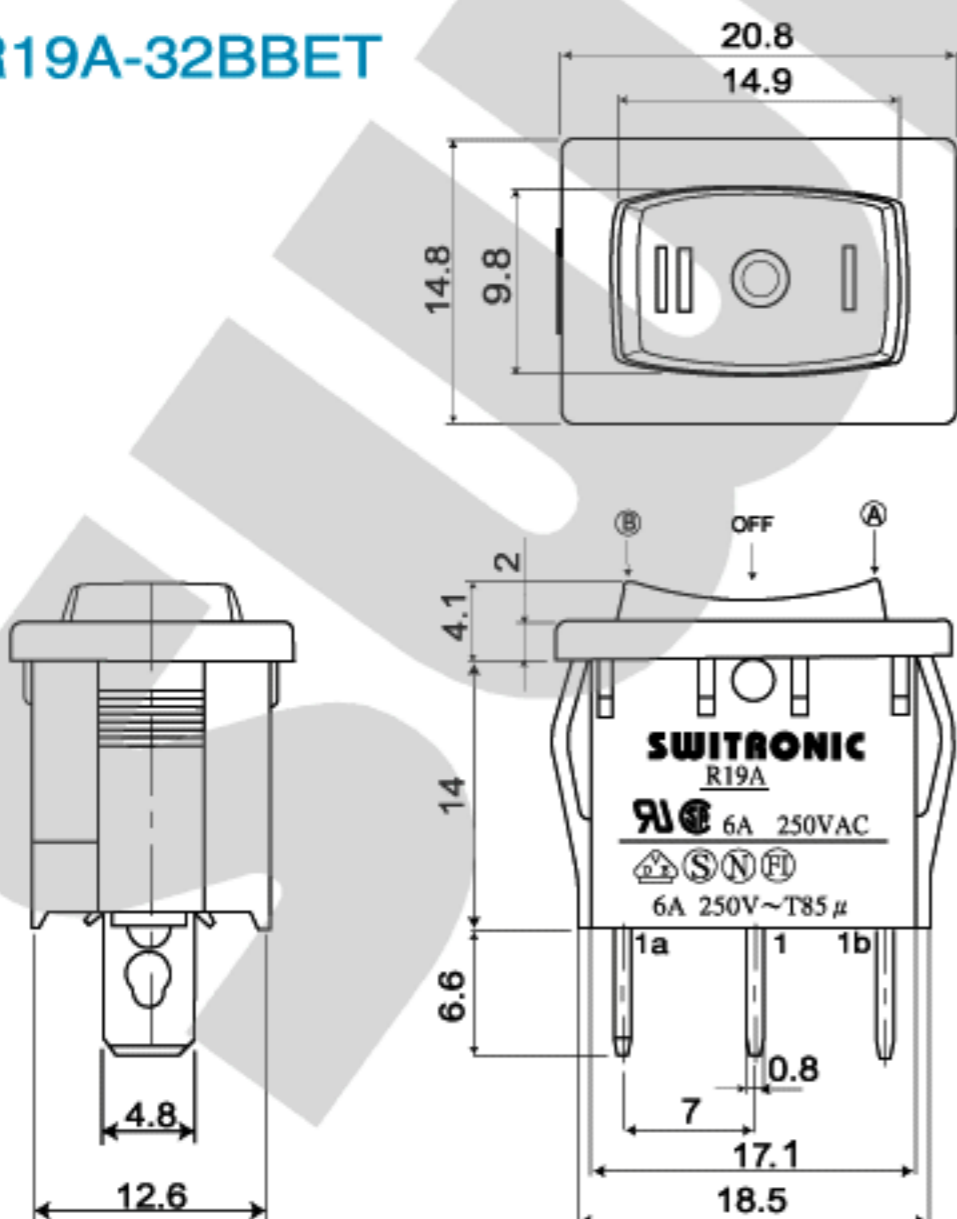
R19A-12BBBT



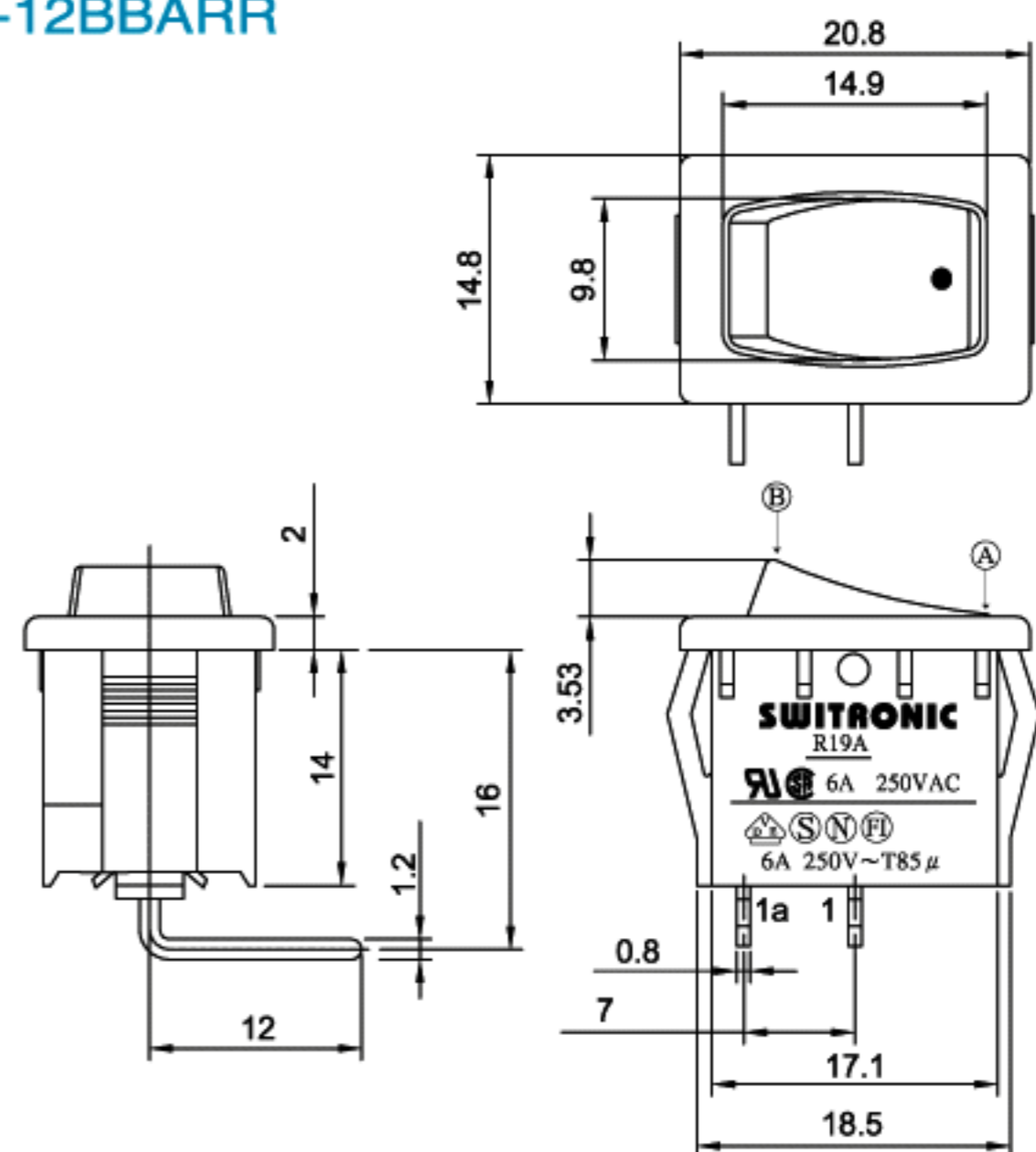
R19A-22BBOSP PADDLE TYPE



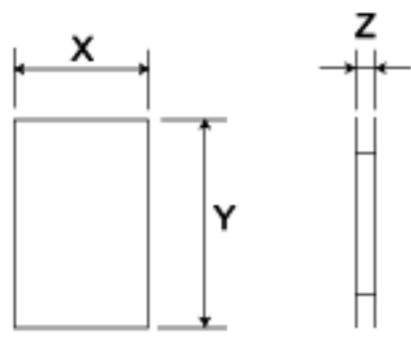
R19A-32BBET



R19A-12BBARR



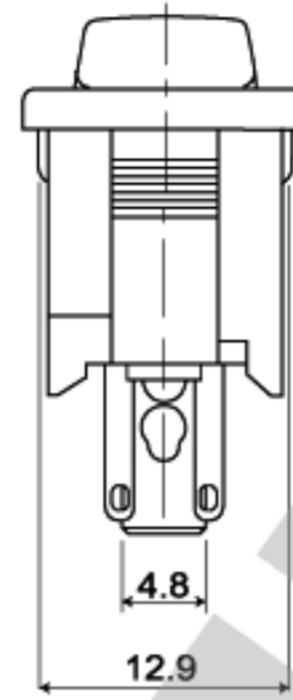
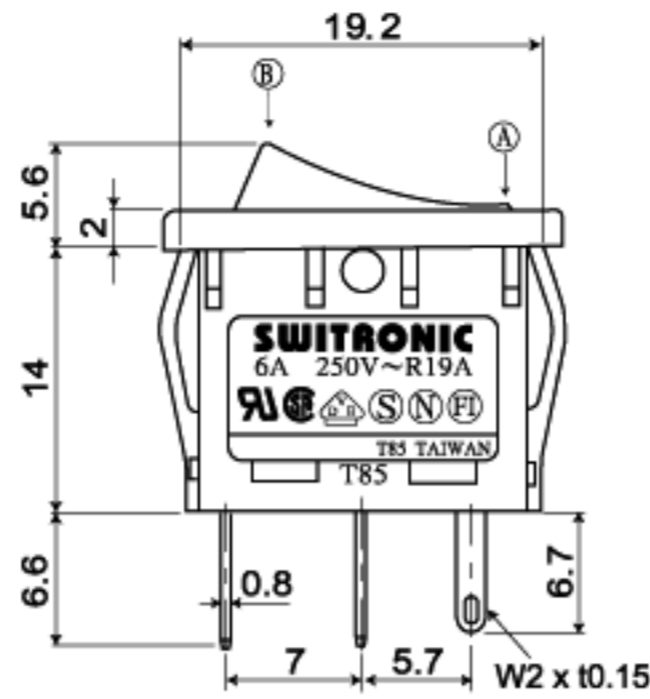
MOUNTING HOLE



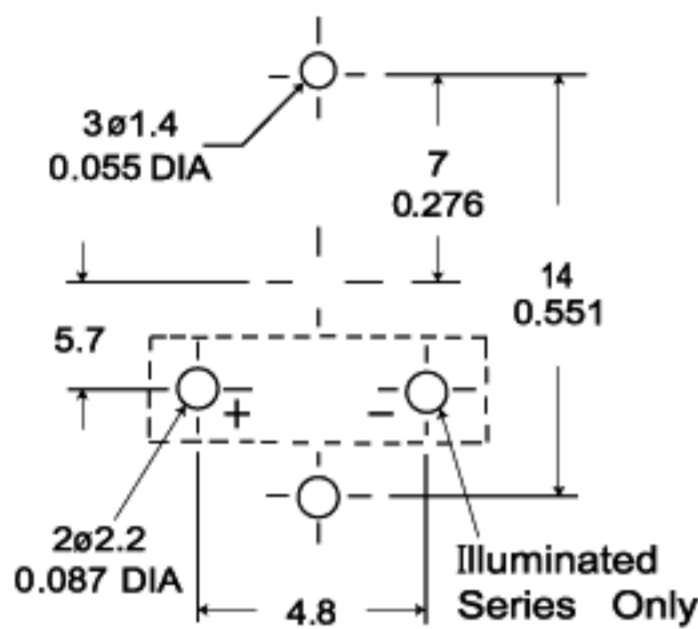
Z	X	Y
0.70 ~ 1.25	12.8 ~ 12.9	19.2 ~ 19.3
1.25 ~ 2.00	12.8 ~ 12.9	19.3 ~ 19.4
2.00 ~ 3.00	12.8 ~ 12.9	19.5 ~ 19.6

R19A-02IBBOTR (6A 250V AC), W/RED LED

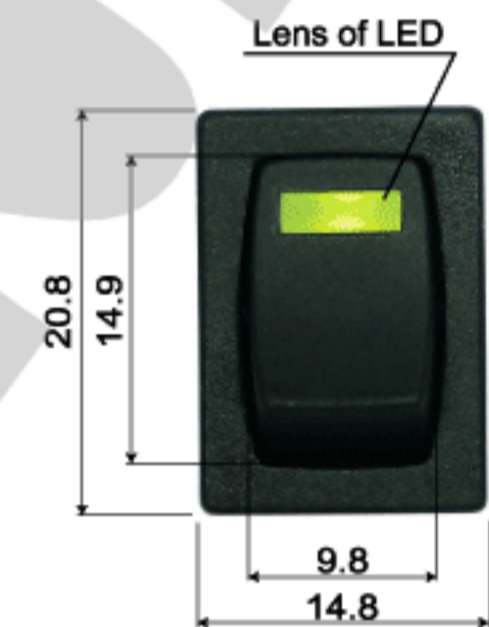
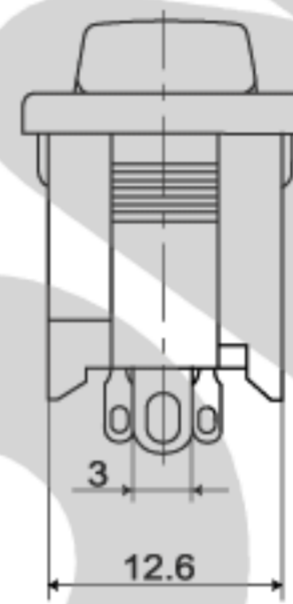
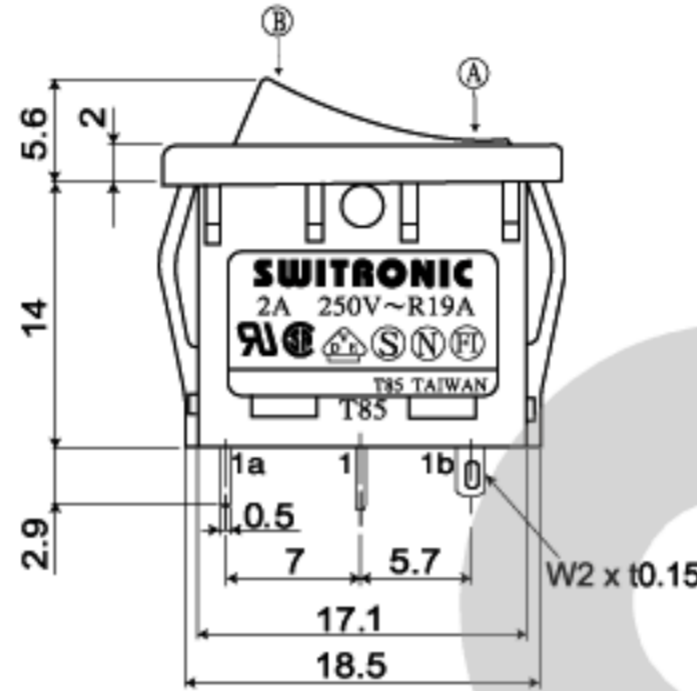
LICO



P.C.B. LAYOUT



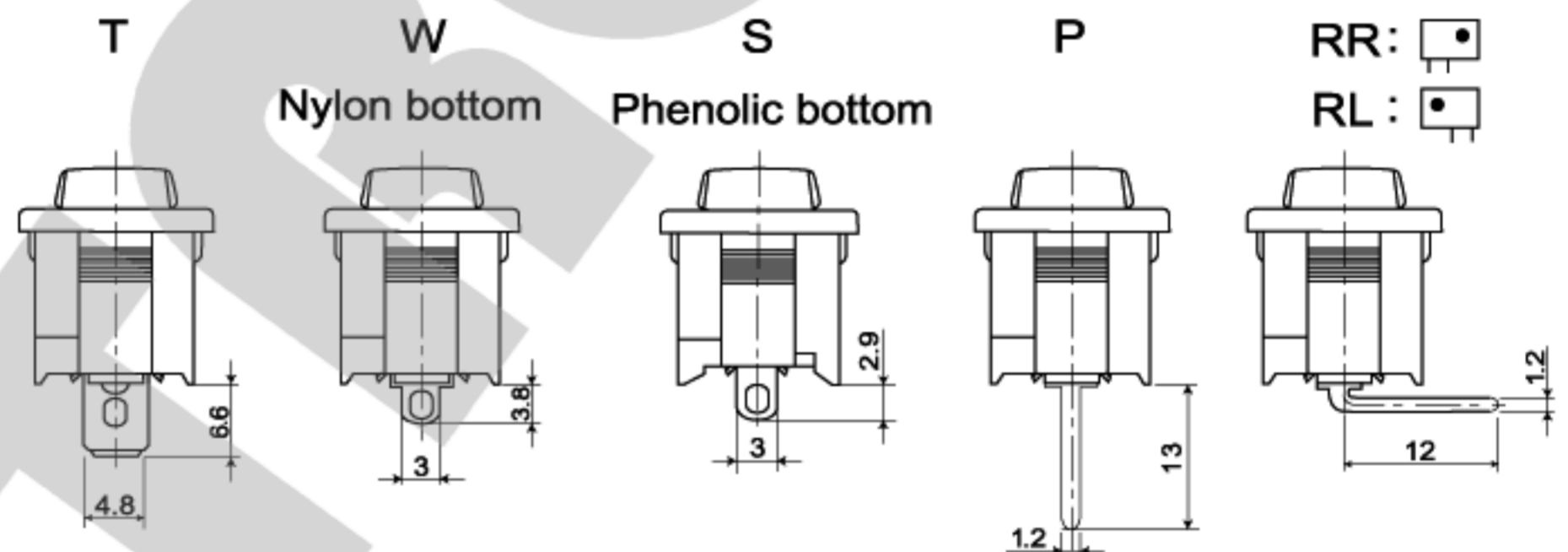
R19A-00IBBOSG (2A 250V AC), W/GREEN LED



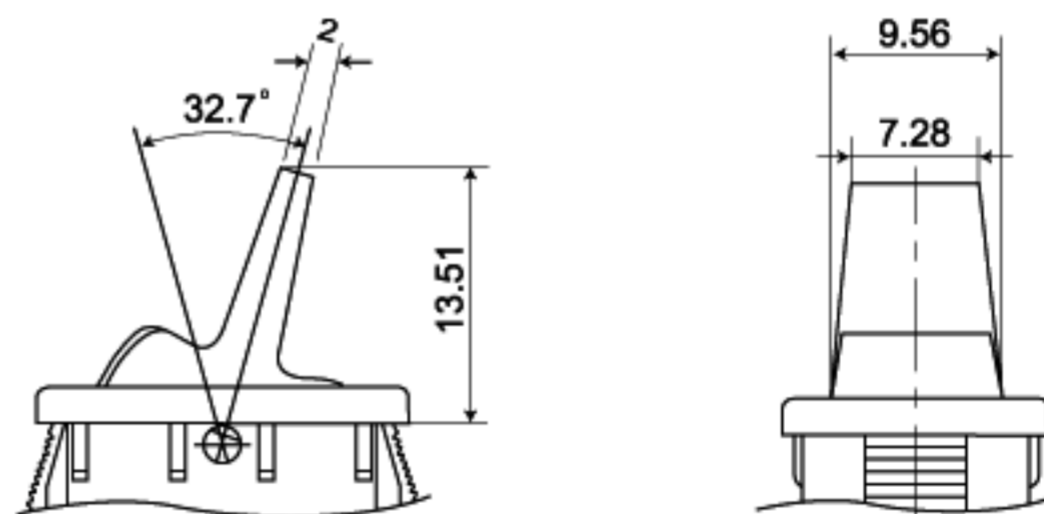
() MOMENTARY

FUNCTION	MODEL NO.	2 A	6 A	8 A
ON OFF LED Illuminated	R19A-0	0I	2I	5I
ON SPST OFF	R19A-1	0	2	5
ON SPDT ON	R19A-2	0	2	5
ON OFF ON SPDT	R19A-3	0	2	5
ON SPDT (ON)	R19A-4	0	2	5
OFF SPST (ON)	R19A-5	0	2	5
(ON) OFF (ON) SPDT	R19A-6	0	2	5
ON SPST (OFF)	R19A-7	0	2	5
ON OFF (ON) SPDT	R19A-8	0	2	5

TERMINAL TYPE



PADDLE TYPE



HOW TO ORDER

R19A-0 0I B B O S R

MODEL NO.	RATING	HOUSING COLOR	ROCKER COLOR	MARKING	TERMINAL TYPE	LED COLOR OR PADDLE TYPE
R19A-0	0 : 2A 2 : 6A 5 : 8A	B : BLACK W : WHITE G : GRAY	B : BLACK W : WHITE G : GRAY R : RED Y : YELLOW GN : GREEN		T W S P RR RL	□ : NORMAL P : PADDLE TYPE ※ FOR R19A-0 W/LED ONLY R : RED LED Y : YELLOW LED G : GREEN LED
R19A-8	0I : 2A (W/LED) 2I : 6A (W/LED) 5I : 8A (W/LED)					