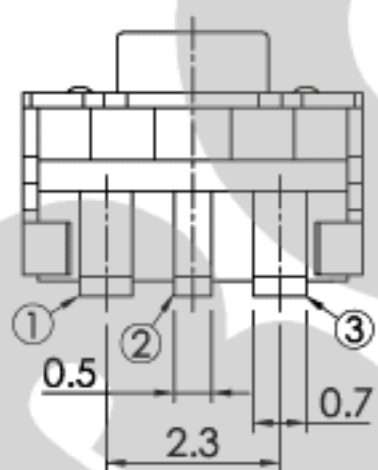
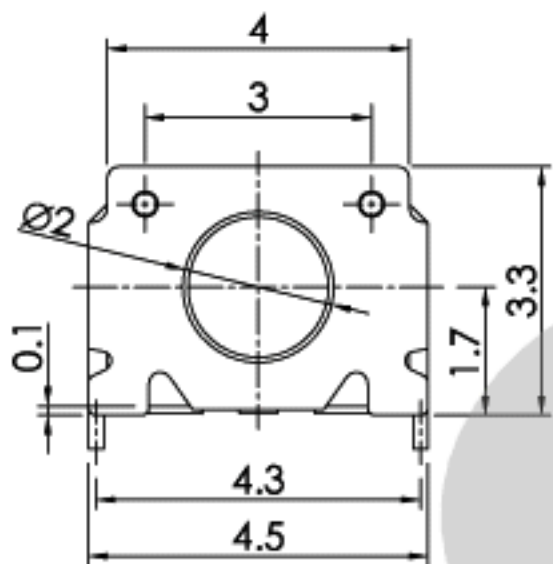
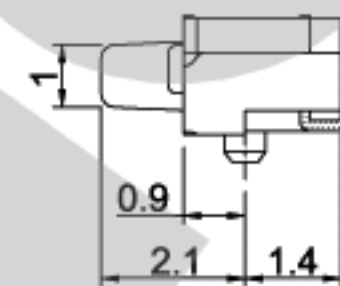
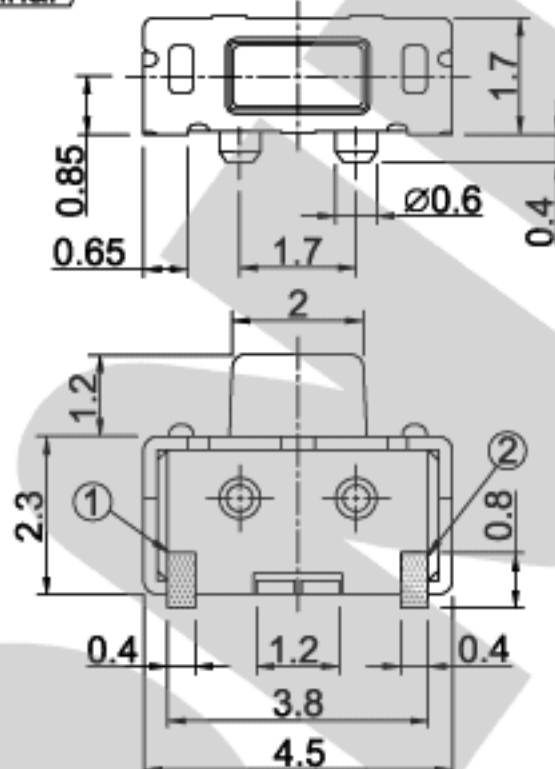


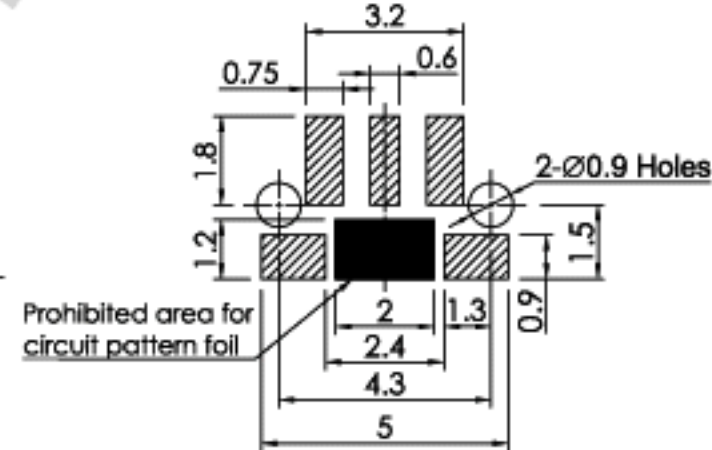
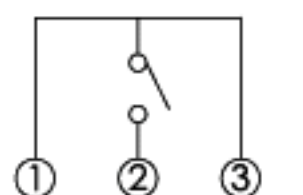
CIRCUIT DIAGRAM



Rating: 50mA 12V DC.
 Travel: 0.2±0.1mm
 Contact resistance: 100mΩ Max.
 Operating force: 160±50g.
 Operating life: 100,000 Cycles.



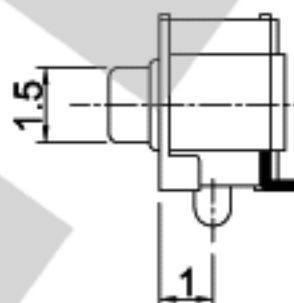
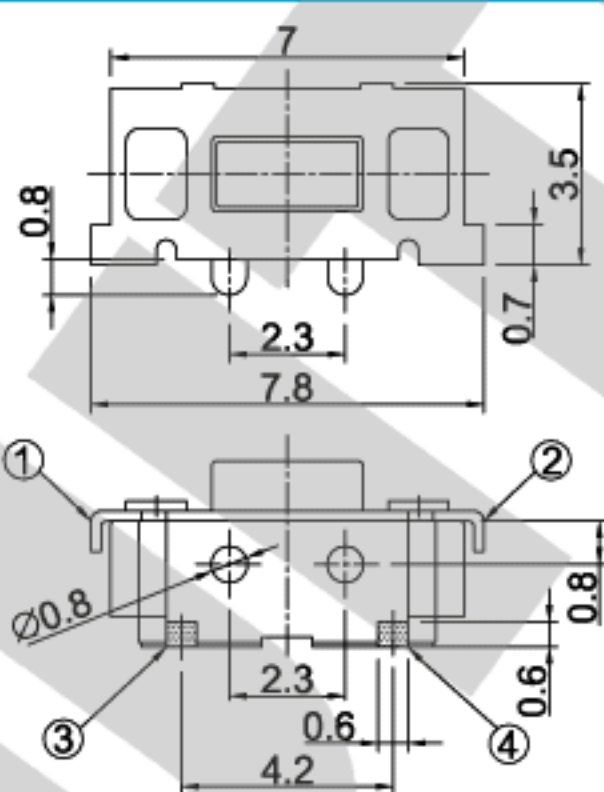
CIRCUIT DIAGRAM



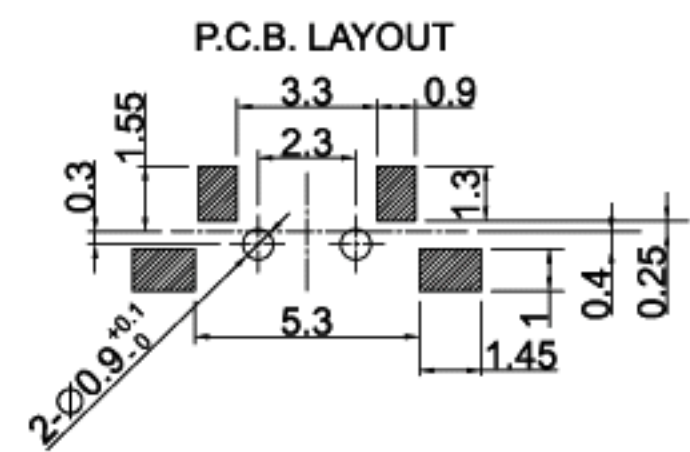
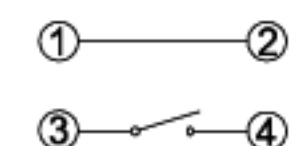
Rating: 50mA 12V DC.
 Travel: 0.2±0.1mm
 Contact resistance: 100mΩ Max.
 Operating force: 160, 400±50g.
 Operating life: 100,000 Cycles Min.



IT-1188E: W/ Embossing
 IT-1188 : W/O Embossing



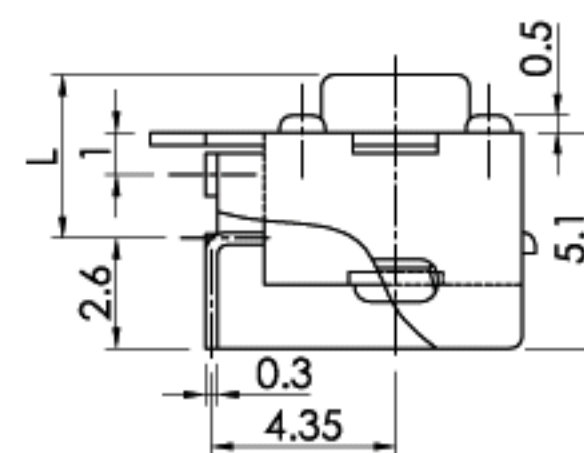
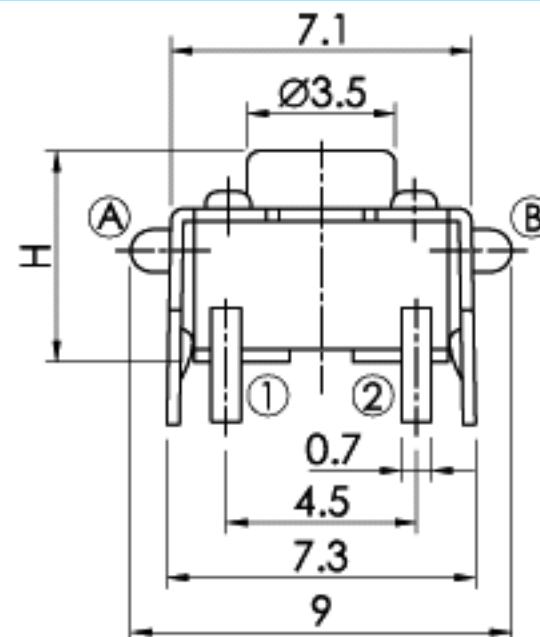
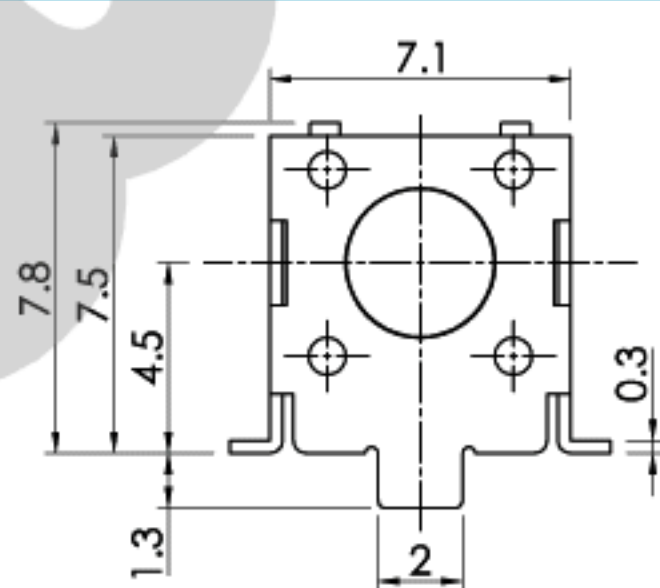
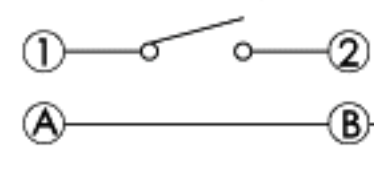
CIRCUIT DIAGRAM



Rating : 50mA 12V DC Max.
 Travel : 0.25±0.1mm.
 Contact resistance : 100mΩ Max.
 Operating force : 160, 250±50g.
 Life : 160g : 50,000 Cycles.
 250g : 30,000 Cycles.

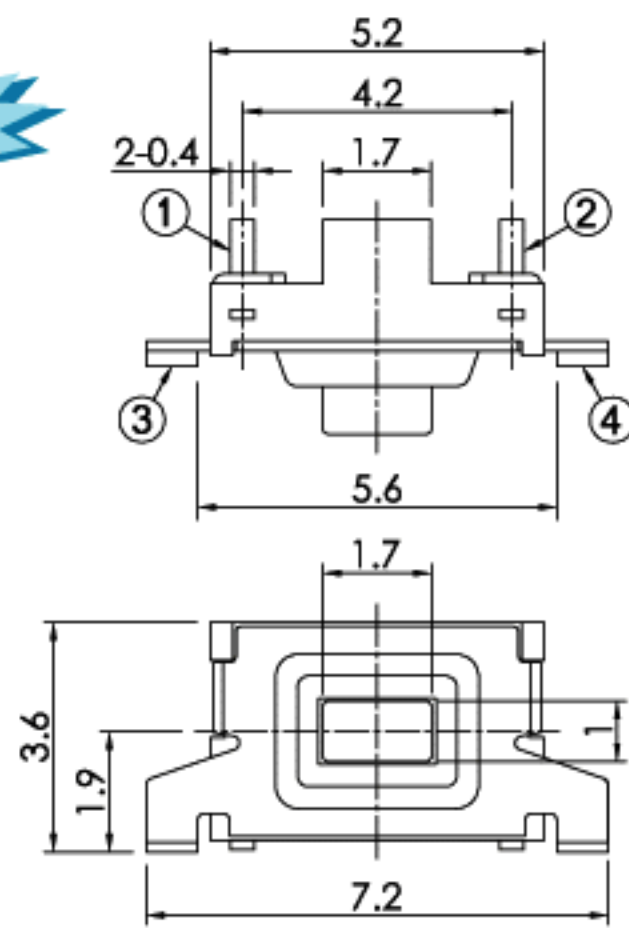


CIRCUIT DIAGRAM

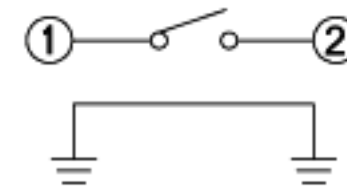


MODEL NO.	L	H	MODEL NO.	L	H
IT4-1102US	3.15	4.3	IT4-1102USE	6.15	7.3
IT4-1102USA	3.85	5.0	IT4-1102USF	11.35	12.5
IT4-1102USB	5.85	7.0	IT4-1102USG	12.35	13.5
IT4-1102USC	6.85	8.0	IT4-1102USH	10.85	12.0
IT4-1102USD	8.35	9.5			

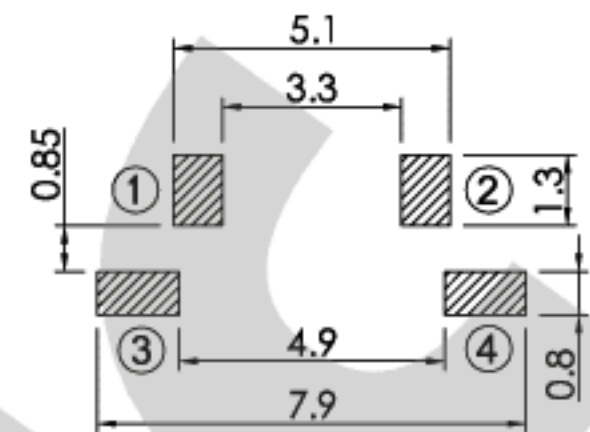
Rating : 50mA 12V DC Max.
 Travel : 0.25±0.1mm.
 Contact resistance : 100mΩ Max.
 Operating force : 70±20g.
 100, 160±50g.
 250±50g.
 Life : 1,000,000 Cycles Min.



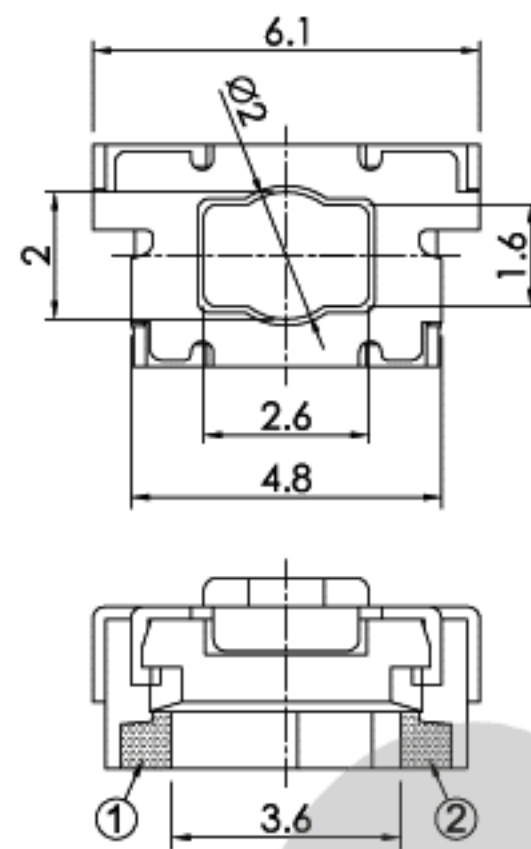
CIRCUIT DIAGRAM



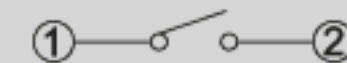
P.C.B. LAYOUT



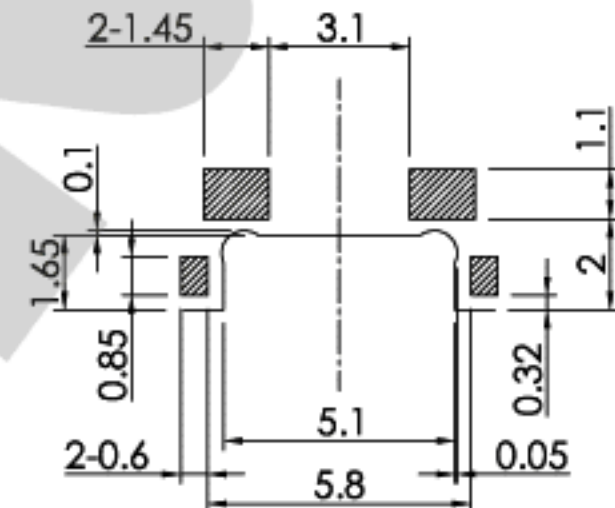
Rating: 50mA 12V DC.
 Travel: 0.15±0.1mm
 Contact resistance: 100mΩ Max.
 Operating force: 220±50g.
 Operating life: 100,000 Cycles Min.



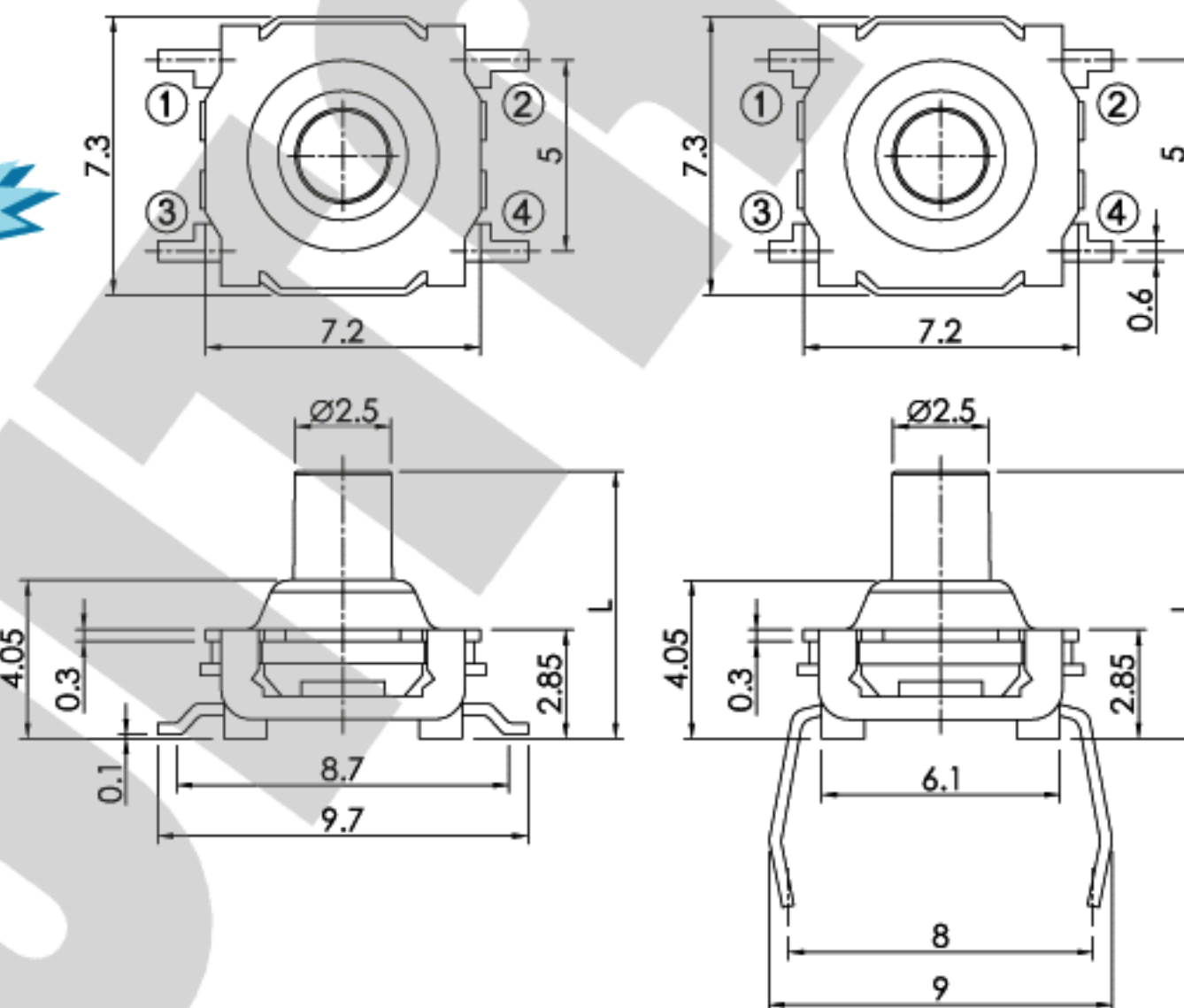
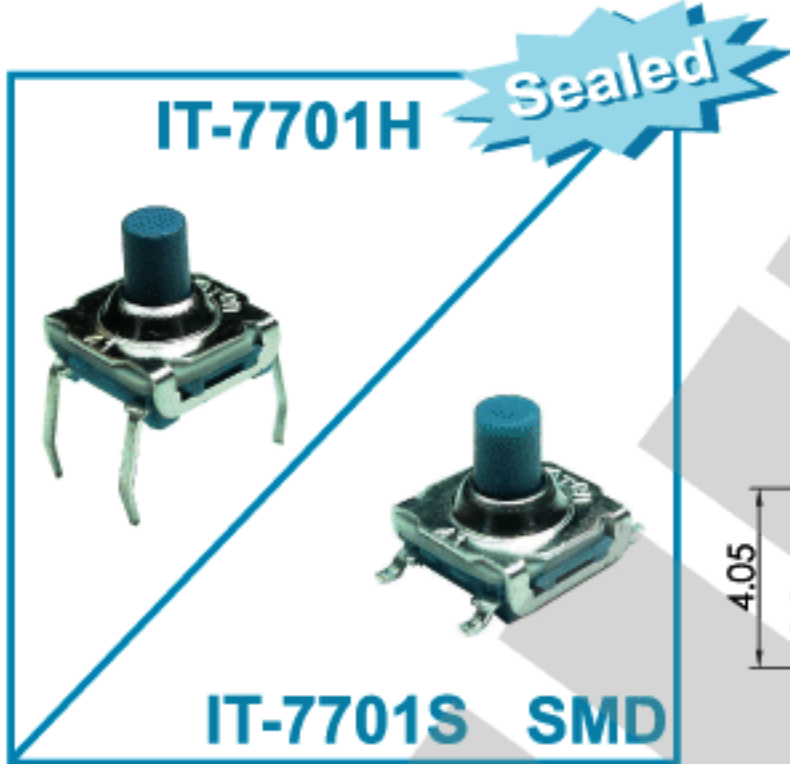
CIRCUIT DIAGRAM



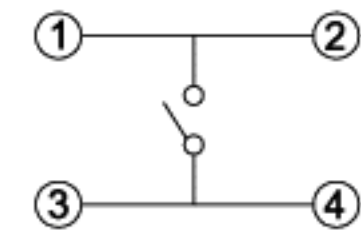
P.C.B. LAYOUT



Rating: 50mA 15V DC.
 Travel: 0.25±0.1mm
 Contact resistance: 100mΩ Max.
 Operating force: 120±50g.
 Operating life: 100,000 Cycles.

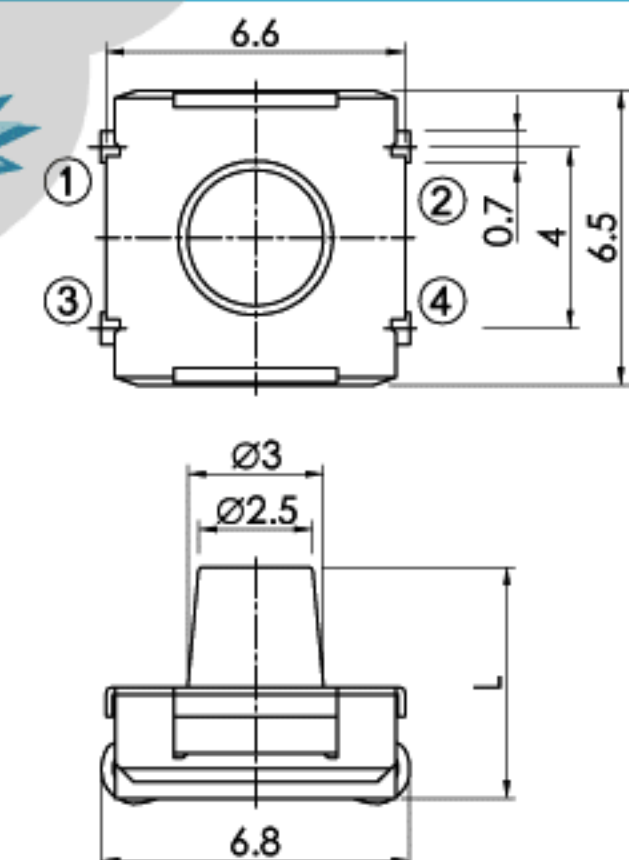


SCHEMATIC

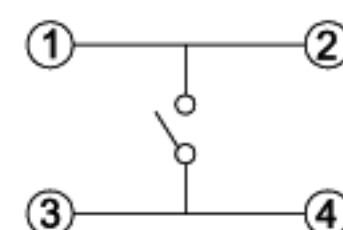


MODEL NO.	STEM(L)
IT-7701H ,S	5.0
IT-7701HA ,SA	7.0
IT-7701HB ,SB	8.5

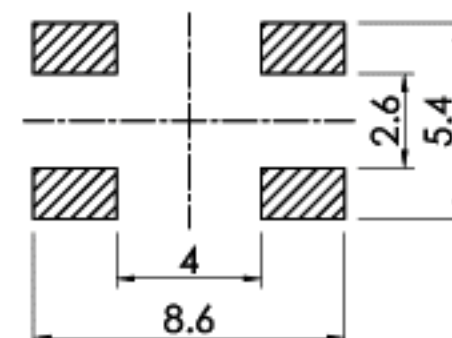
Rating : 50mA 12V DC.
 Travel : 0.3±0.05mm.
 Contact resistance : 50mΩ Max.
 Operating force : 250±50g.
 Life : 80,000 Cycles.



SCHEMATIC

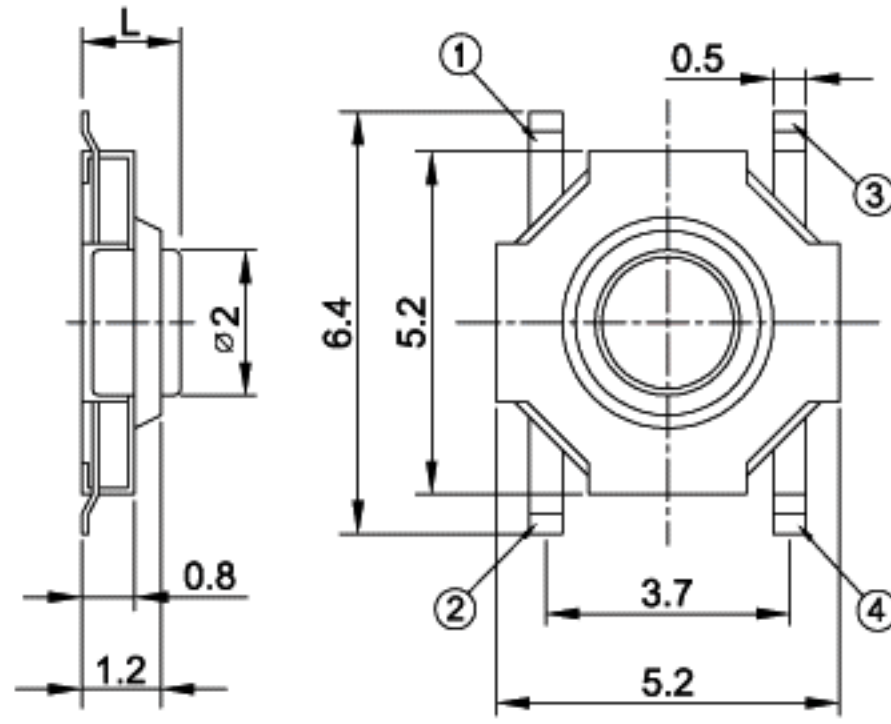


P.C.B. LAYOUT

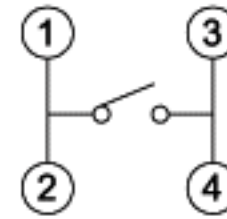


MODEL NO.	STEM(L)
IT-1158	3.4
IT-1158A	5.1
IT-1158B	2.6

Rating : 50mA 12V DC Max.
 Travel : 0.25±0.1mm.
 Contact resistance : 100mΩ Max.
 Operating force : 160, 200, 250, 350±50g.
 Life : 100,000 Cycles Min.

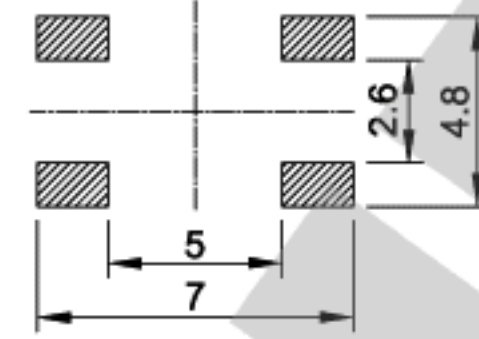


CIRCUIT DIAGRAM

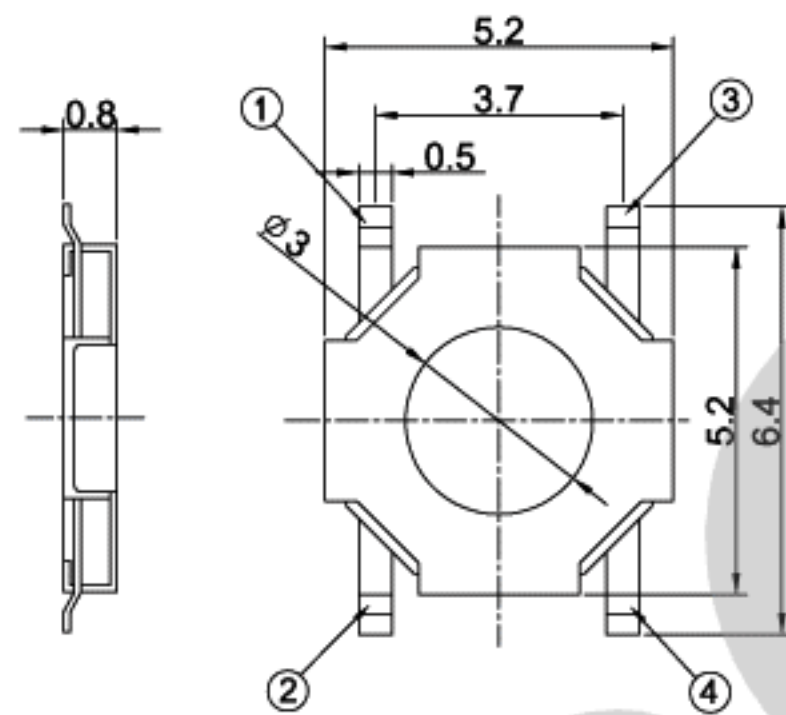


MODEL NO.	Stem(L) / Material
IT-1187 ,U	1.5 / Metal
IT-1187A ,UA	4.3 / Metal
IT-1187B ,UB	1.7 / Metal

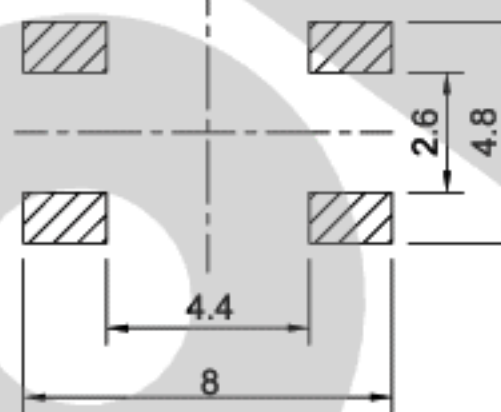
P.C.B LAND DIMENSION



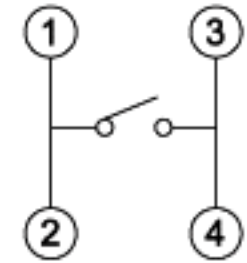
Rating : 50mA 12V DC Max.
Circuit : SPST.
Travel : 0.25±0.1mm.
Contact resistance : 100mΩ Max.
Operating force : 160, 250±50g.
Life : 160g : 300,000 Cycles Min.
250g : 100,000 Cycles Min.



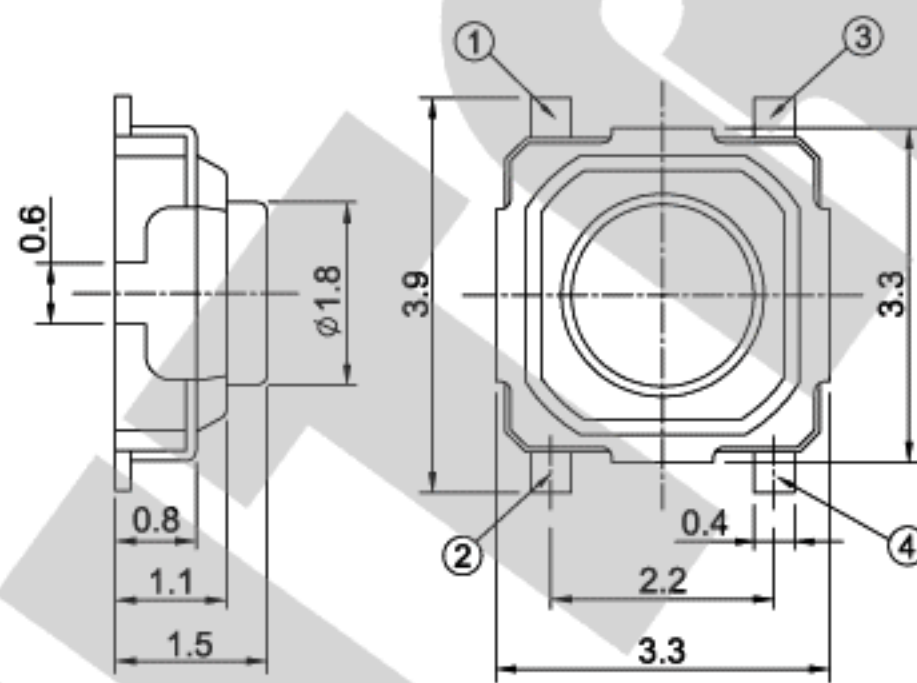
P.C.B LAND DIMENSION



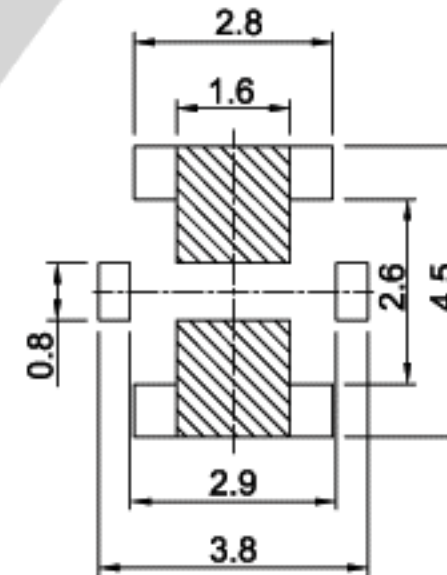
CIRCUIT DIAGRAM



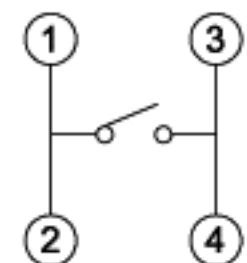
Rating : 50mA 12V DC Max.
Circuit : SPST.
Travel : 0.25±0.1mm.
Contact resistance : 100mΩ Max.
Operating force : 160, 250±50g.
Life : 160g : 300,000 Cycles Min.
250g : 100,000 Cycles Min.



P.C.B LAND DIMENSION

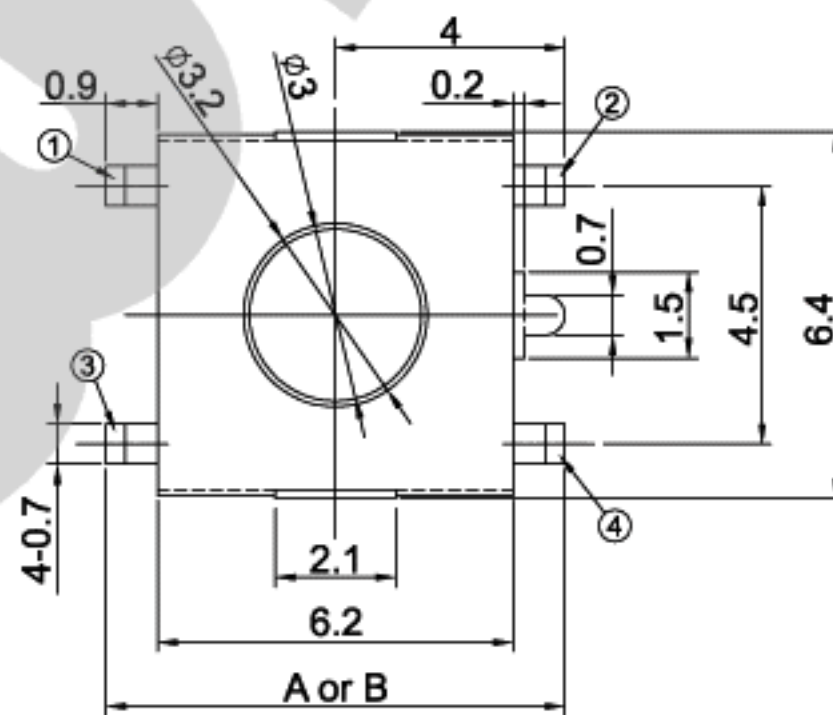
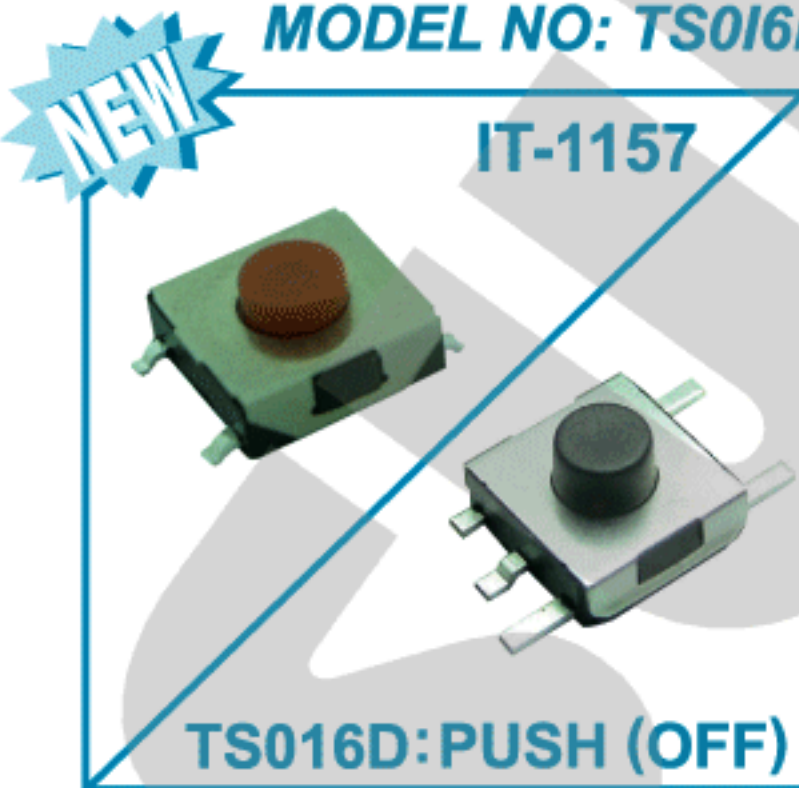


CIRCUIT DIAGRAM

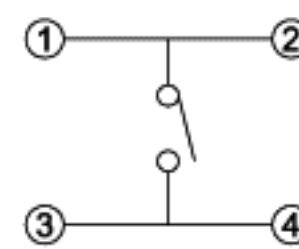


Rating : 50mA 12V DC Max.
Travel : 0.25±0.1mm.
Contact resistance : 100mΩ Max.
Operating force : 160, 250±50g.
Life : 100,000 Cycles Min.

MODEL NO: TS016D, PUSH (OFF), N.C. TYPE OPTIONAL



CIRCUIT DIAGRAM

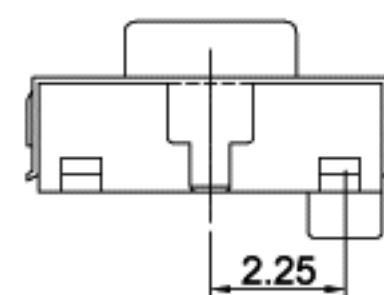
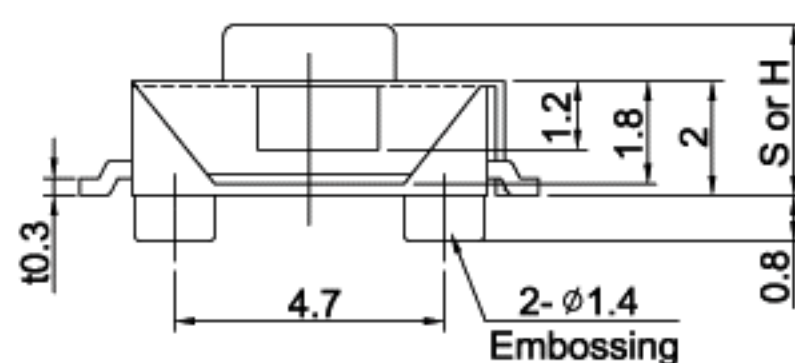
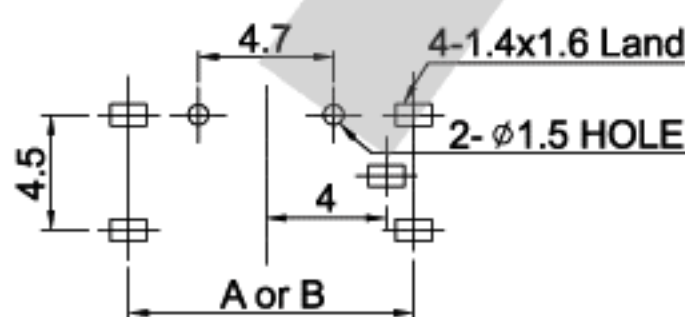


Ter' Length		Stem Height	
A	8	S	2.5
B	10	H	3.1
		Q	3.8

IT-1157XXXX

Embossing Case		Ground Cover	
E	W/	P	W/
N	W/O	D	W/O

P.C.B LAND PATTERN



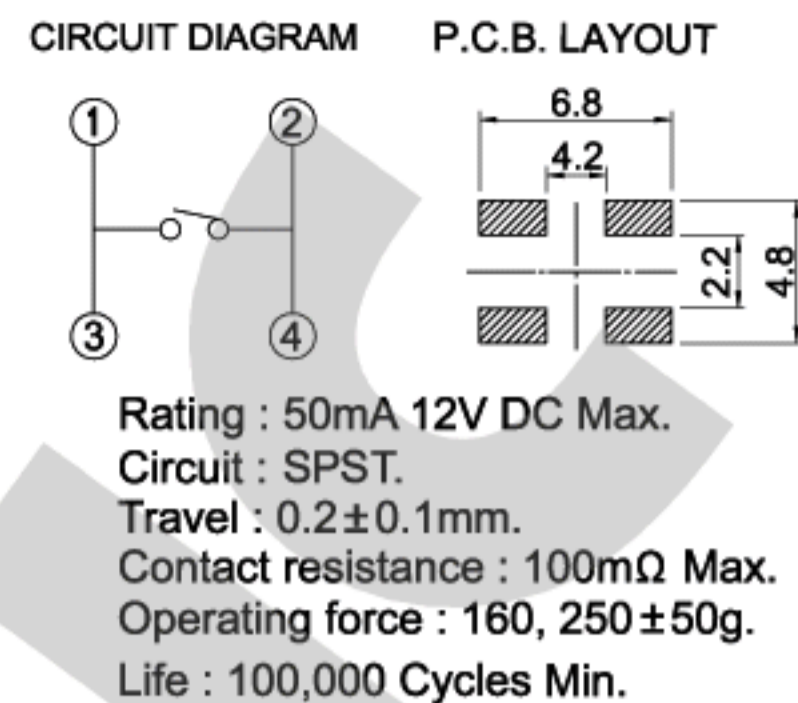
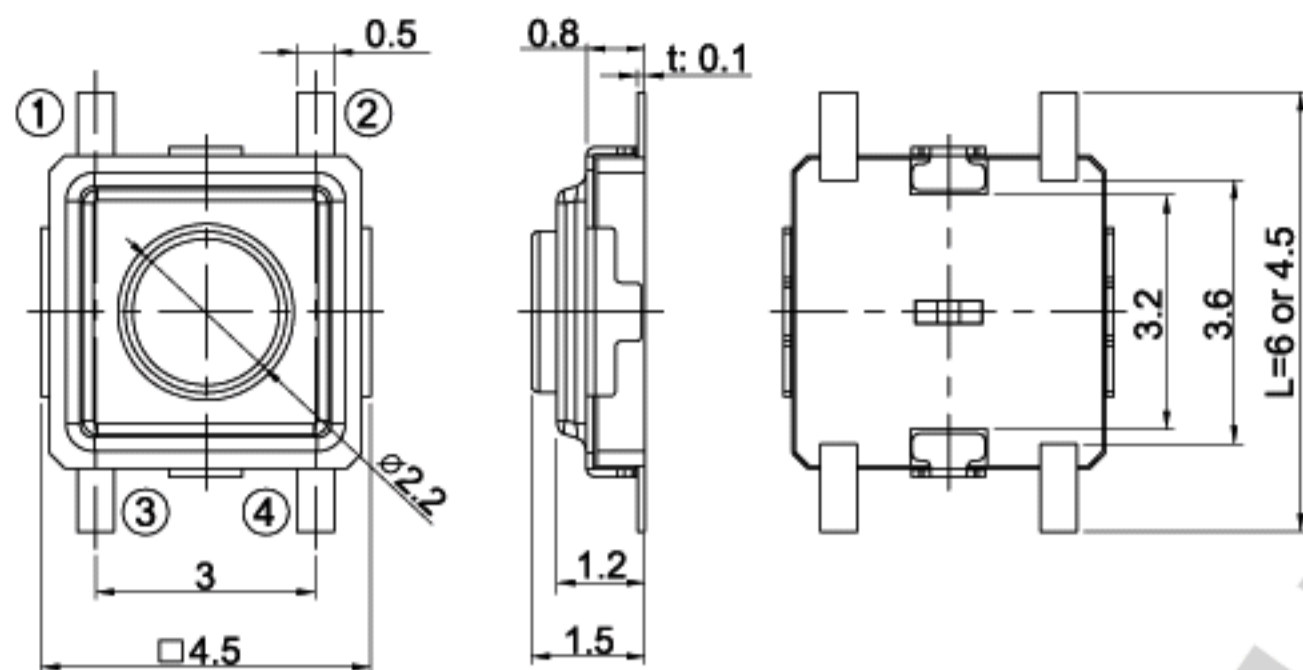
Rating : 50mA 12V DC.
Travel : 0.25±0.1mm.
Contact resistance : 100mΩ Max.
Operating force : 130±30g,
160, 250±50g.
Life : 100,000 Cycles Min.

NEW

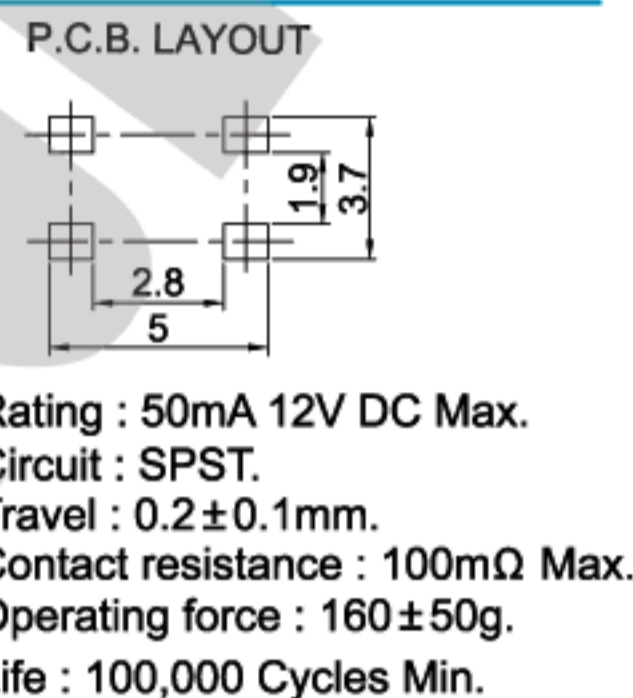
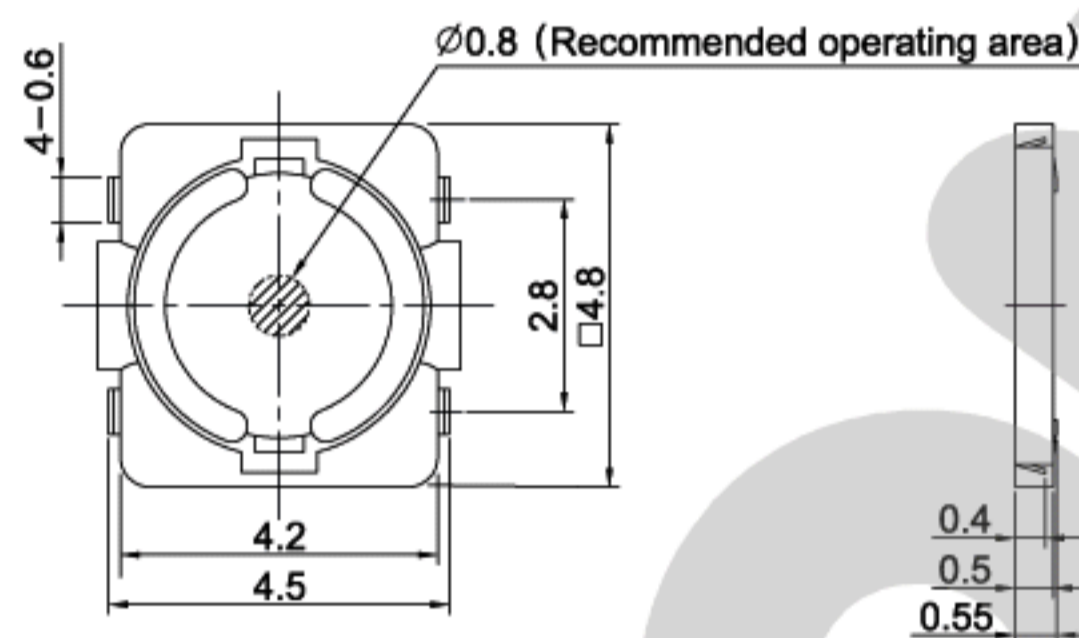


IT-1147
IT-1147U

IT-1147 L=6mm
IT-1147U L=4.5mm



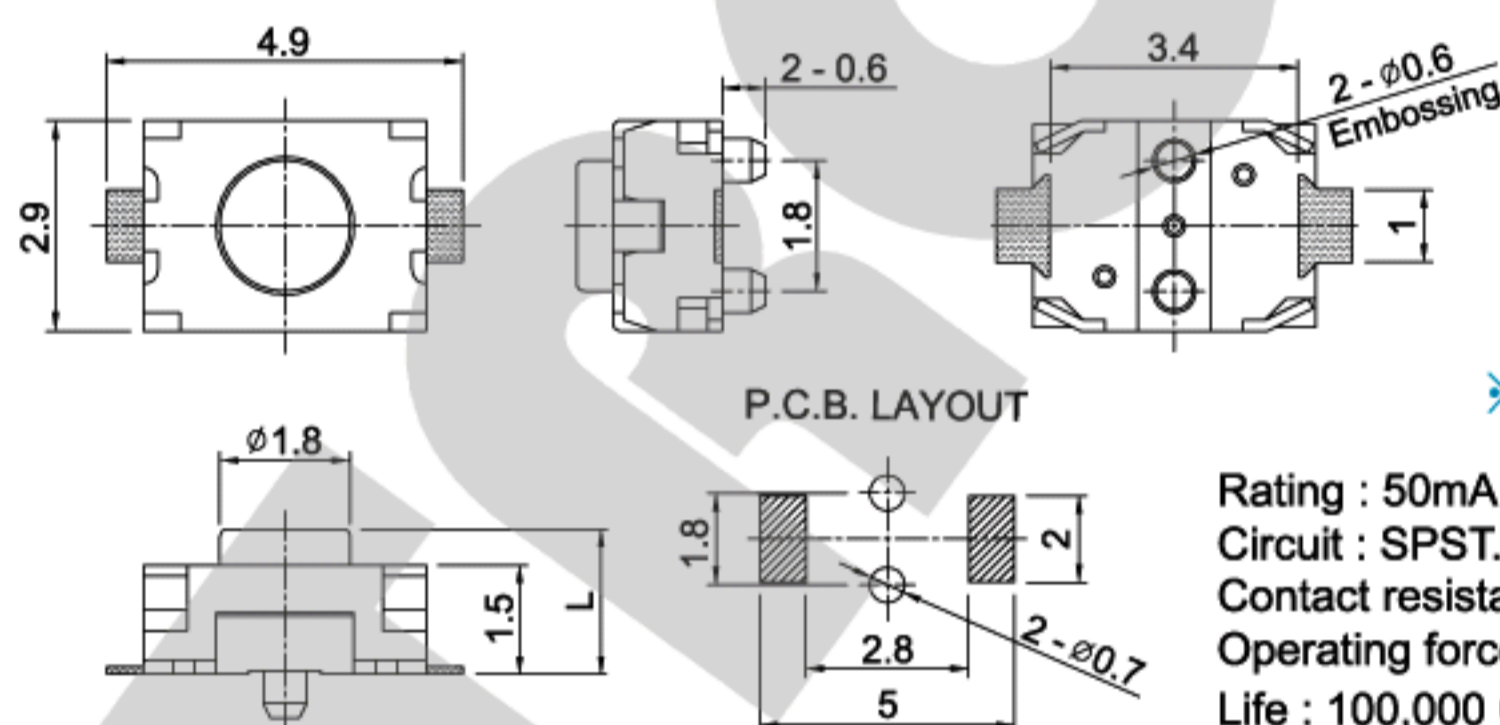

IT-1197A



NEW



IT-1185AP



IT-1185APXX

EMBOSSING		STEM(L)	
1	W/O	□	2.0
2	W/	A	1.5
		C	2.5
		D	1.8
		F	4.0

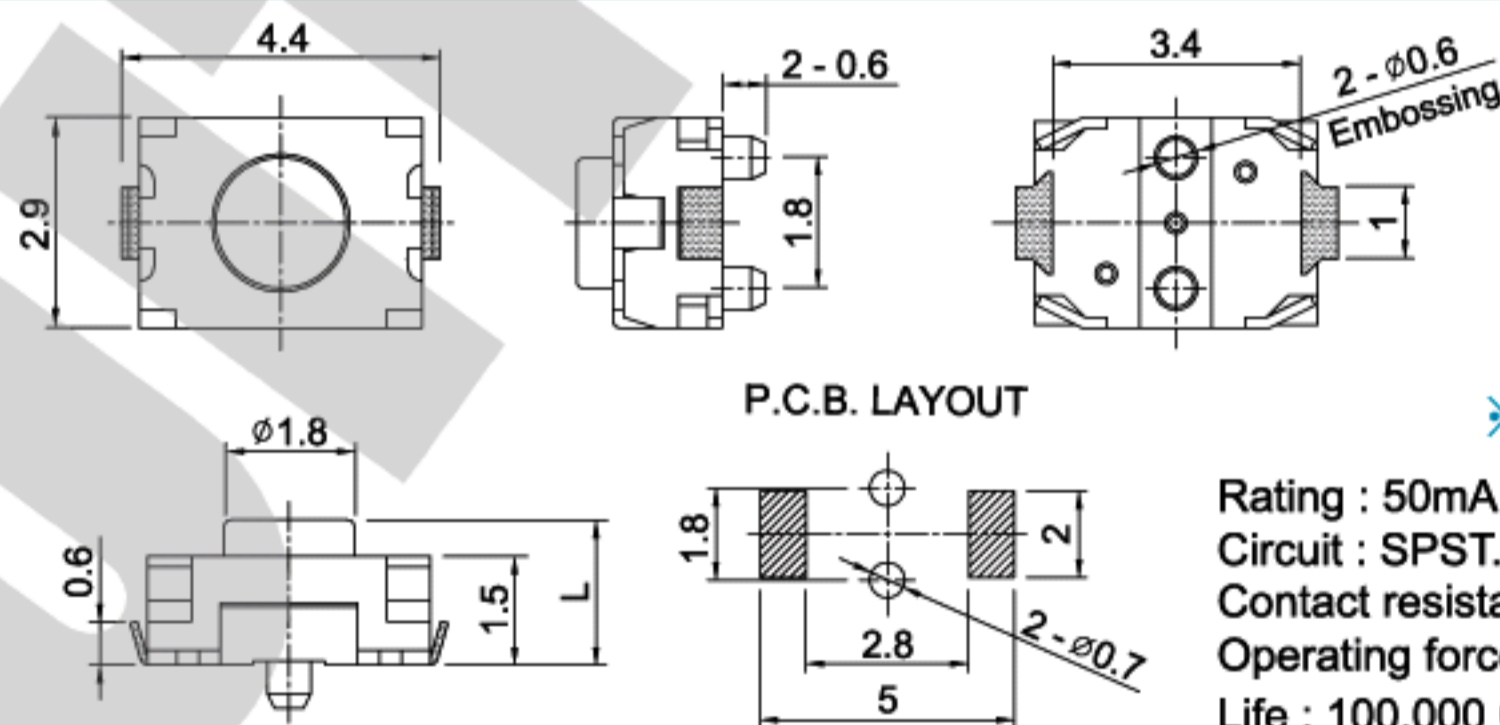
※ standard

Rating : 50mA 12V DC Max.
Circuit : SPST.
Contact resistance : 100mΩ Max.
Operating force : 160, 250±50g.
Life : 100,000 Cycles Min.

NEW



IT-1185AU



IT-1185AUXX

EMBOSSING		STEM(L)	
1	W/O	□	2.0
2	W/	A	1.5
		C	2.5
		D	1.8
		F	4.0

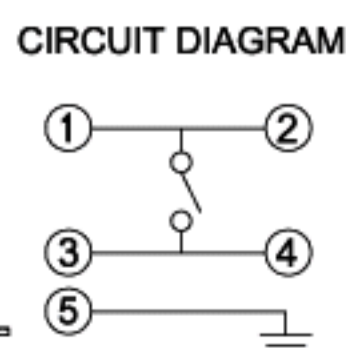
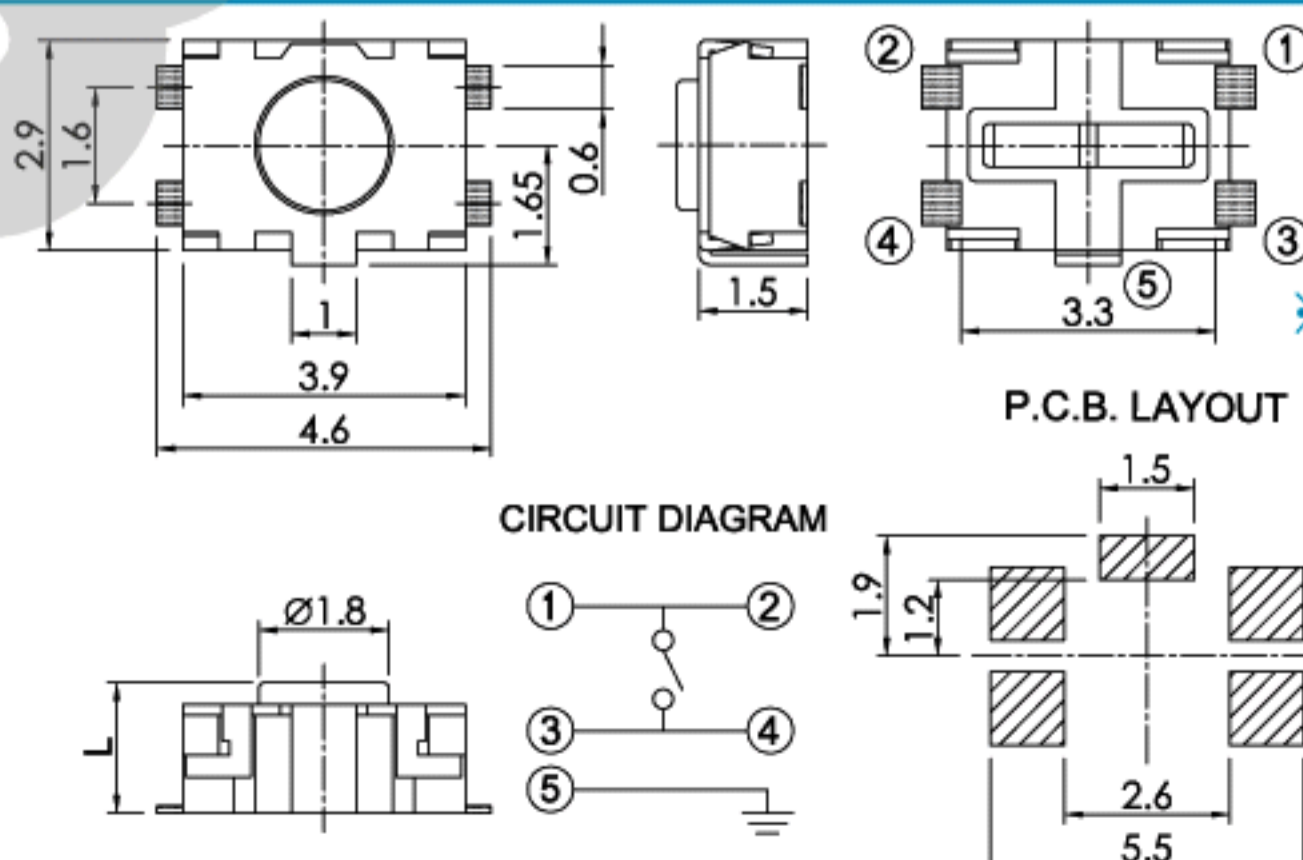
※ standard

Rating : 50mA 12V DC Max.
Circuit : SPST.
Contact resistance : 100mΩ Max.
Operating force : 160, 250±50g.
Life : 100,000 Cycles Min.

NEW



IT-1185BP



IT-1185BPXX-X

EMBOSSING		STEM(L)		GROUND COVER	
1	W/O	□	2.0	□	W/O
2	W/	A	1.8	P	W/
		C	2.5		
		D	4.0		

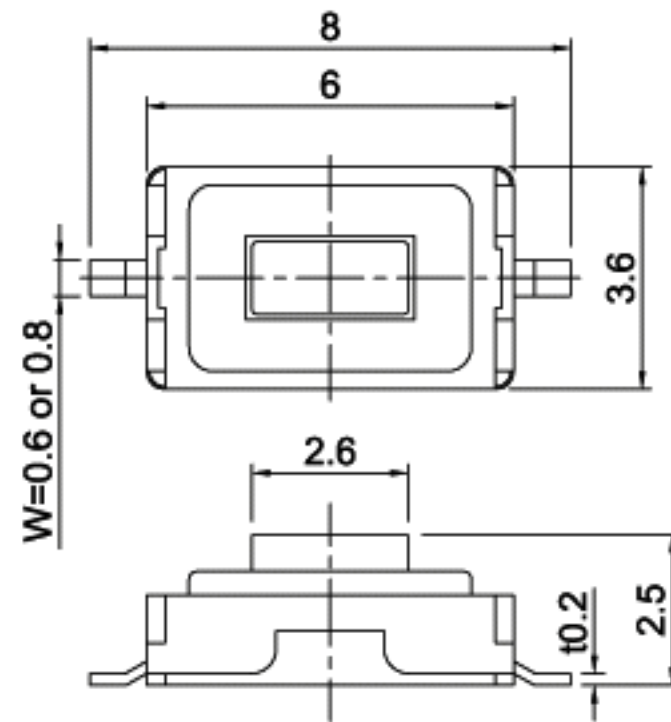
※ standard

Rating : 50mA 12V DC Max.
Travel : 0.2±0.1mm.
Contact resistance : 100mΩ Max.
Operating force : 160, 250±50g.
Life : 100,000 Cycles Min.

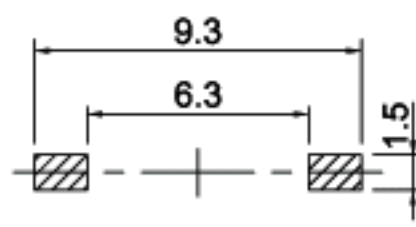


IT-1181

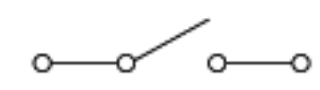
IT-1181 W=0.6mm
IT-1181A W=0.8mm



P.C.B. LAYOUT



CIRCUIT DIAGRAM



IT-1181X

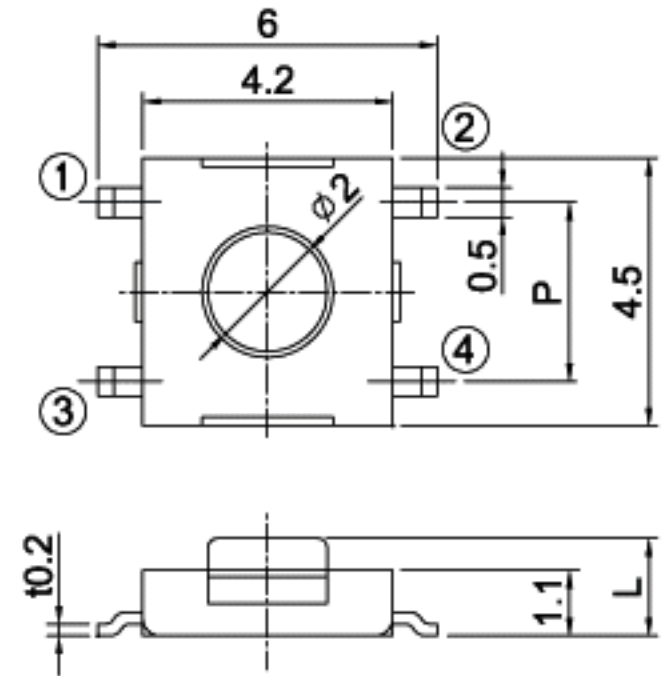
TERMINAL (W)	
□	0.6
A	0.8

Rating : 50mA 12V DC Max.
Travel : 0.25±0.1mm.
Contact resistance : 100mΩ Max.
Operating force : 160, 180, 250±50g.
Life : 160, 180g : 50,000 Cycles Min.
250g : 30,000 Cycles Min.

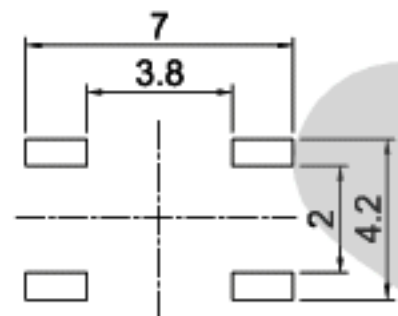


IT-1127

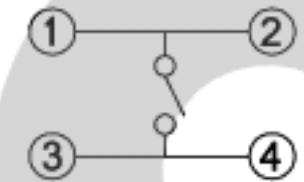
IT-1127 P=3.0mm
IT-1127-5 P=3.5mm



P.C.B. LAYOUT



CIRCUIT DIAGRAM



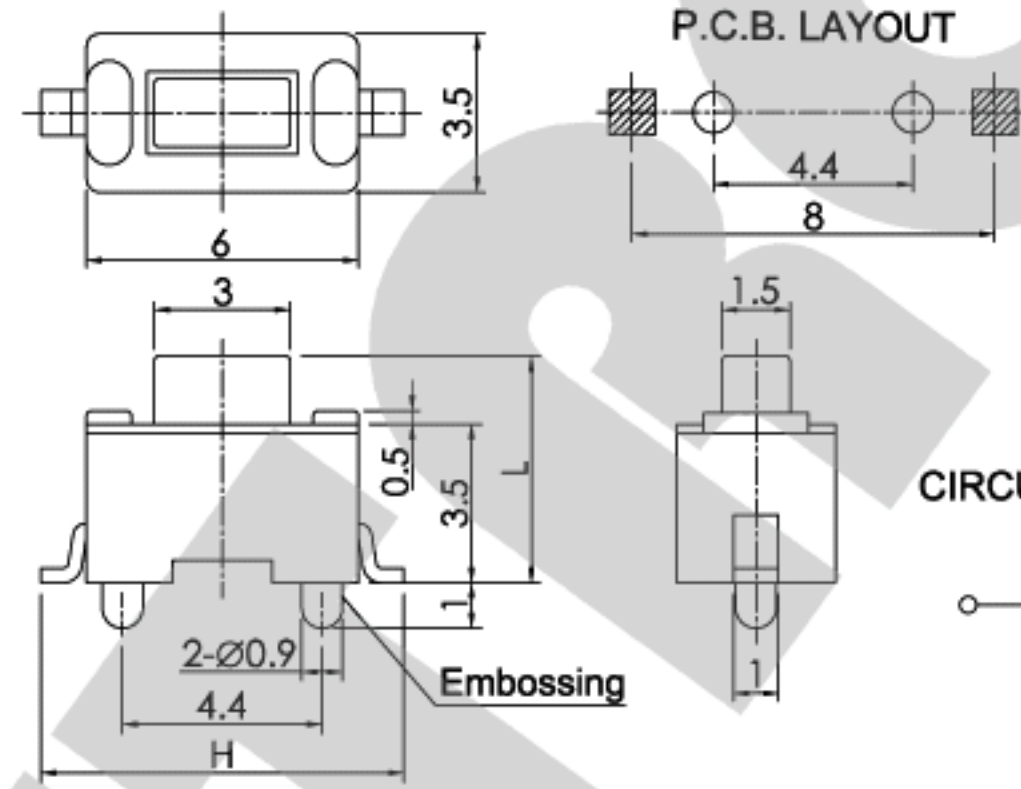
IT-1127XXX

TERMINAL(P)	EMBOSSING CASE	STEM(L)
□	W/O	□
-5	W/	A

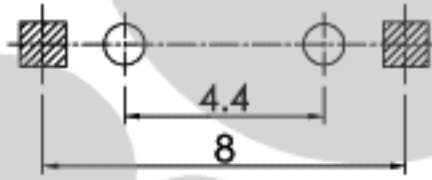
Rating : 50mA 12V DC Max.
Circuit : SPST.
Travel : 0.2±0.1mm.
Contact resistance : 100mΩ Max.
Operating force : 160, 250±50g.
180±50g. (IT-1127-5 only)
Life : 100,000 Cycles Min.



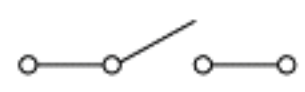
IT-1101NE



P.C.B. LAYOUT



CIRCUIT DIAGRAM



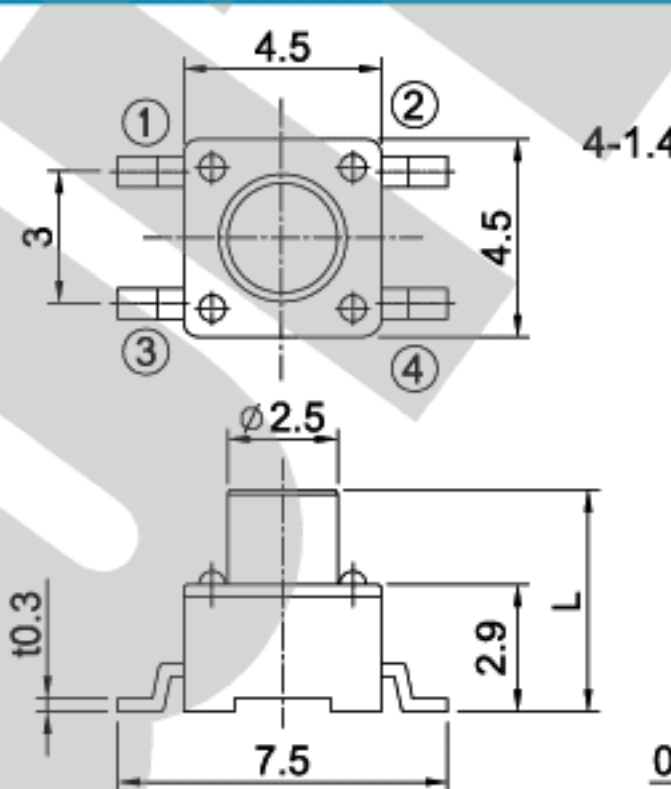
IT-1101XXX

EMBOSSING CASE	TERMINAL(H)	STEM(L)
□	H	□
N	E	A
	S	

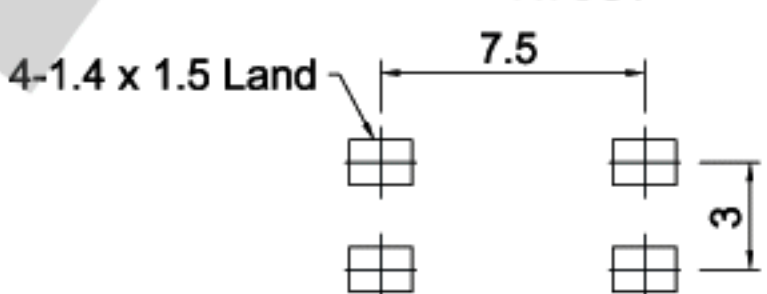
Rating : 50mA 12V DC.
Travel : 0.25±0.1mm.
Contact resistance : 100mΩ Max.
Operating force : 130, 160, 250±50g.
Life : 130, 160g : 50,000 Cycles Min.
250g : 30,000 Cycles Min.



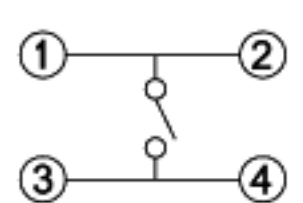
IT-1109S



P.C.B. LAYOUT



CIRCUIT DIAGRAM

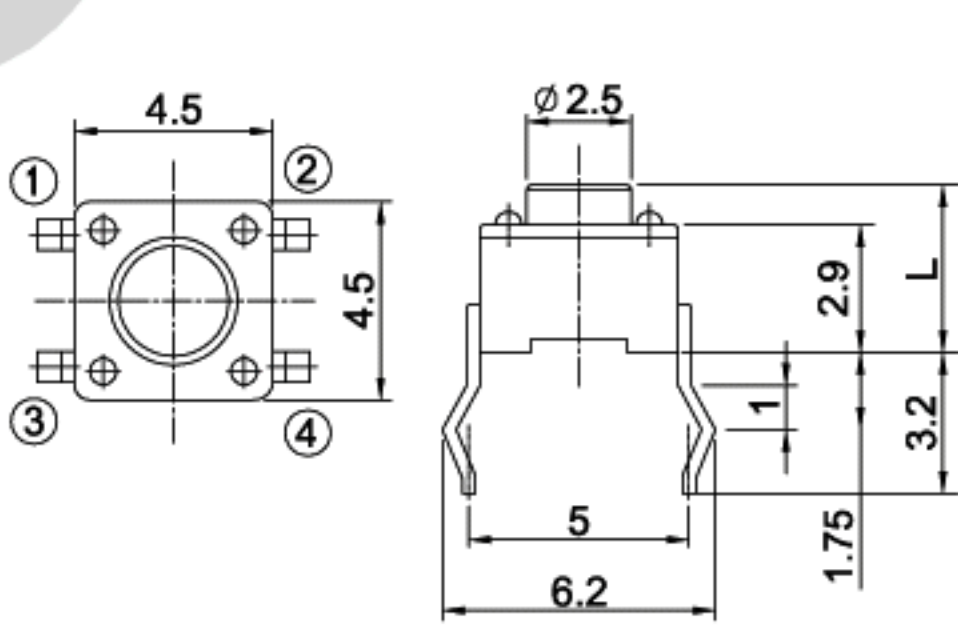


MODEL NO.	STEM(L)
IT-1109S	3.8
IT-1109SA	7.0

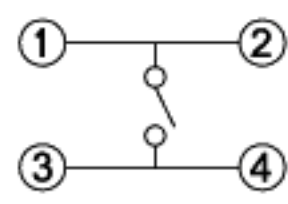
Rating : 50mA 12V DC.
Travel : 0.25±0.1mm.
Contact resistance : 100mΩ Max.
Operating force : 160, 250±50g.
Life : 50,000 Cycles Min.



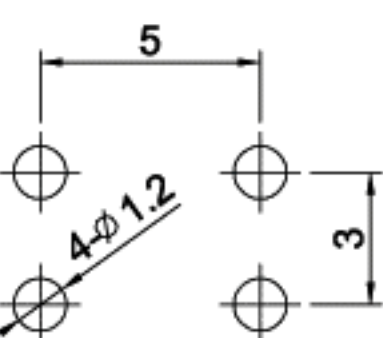
IT-1109



CIRCUIT DIAGRAM



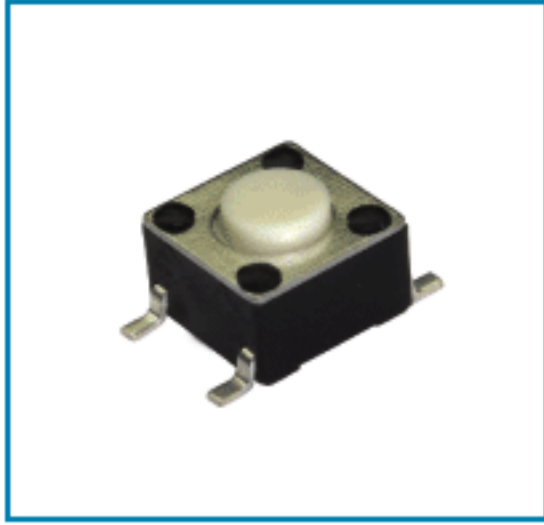
P.C.B. LAYOUT



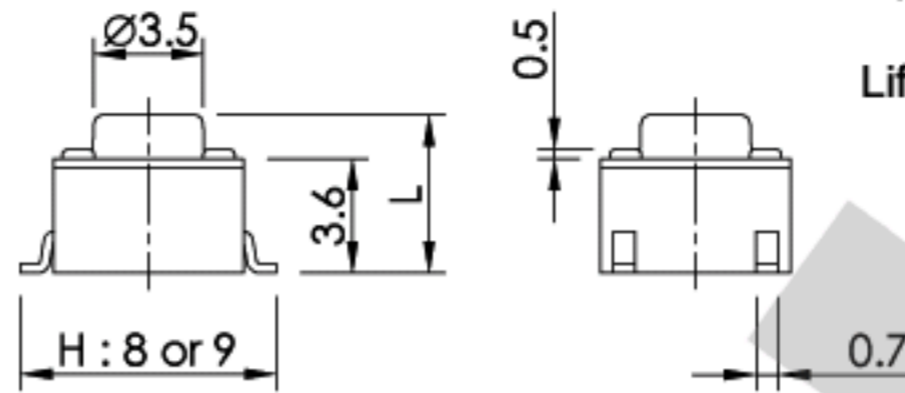
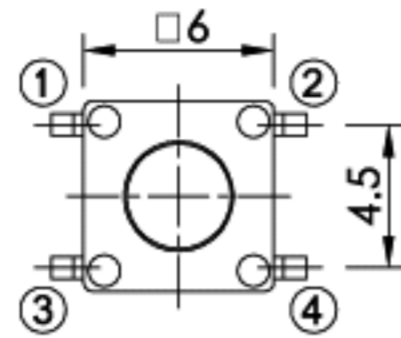
MODEL NO.	STEM(L)
IT-1109	3.8
IT-1109A	7.0

Rating : 50mA 12V DC.
Travel : 0.25±0.1mm.
Contact resistance : 100mΩ Max.
Operating force : 160, 250±50g.
Life : 50,000 Cycles Min.

IT-1102W~1102WA

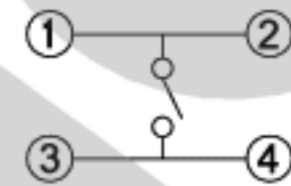


MODEL NO.	STEM (L)
IT-1102W	4.3
IT-1102WA	5.0



Rating : 50mA 12V DC.
 Travel : 0.25±0.1mm.
 Contact resistance : 100mΩ Max.
 Operating force : 100, 130±50g.
 160, 250±50g.
 Life : 100,000 Cycles Min.

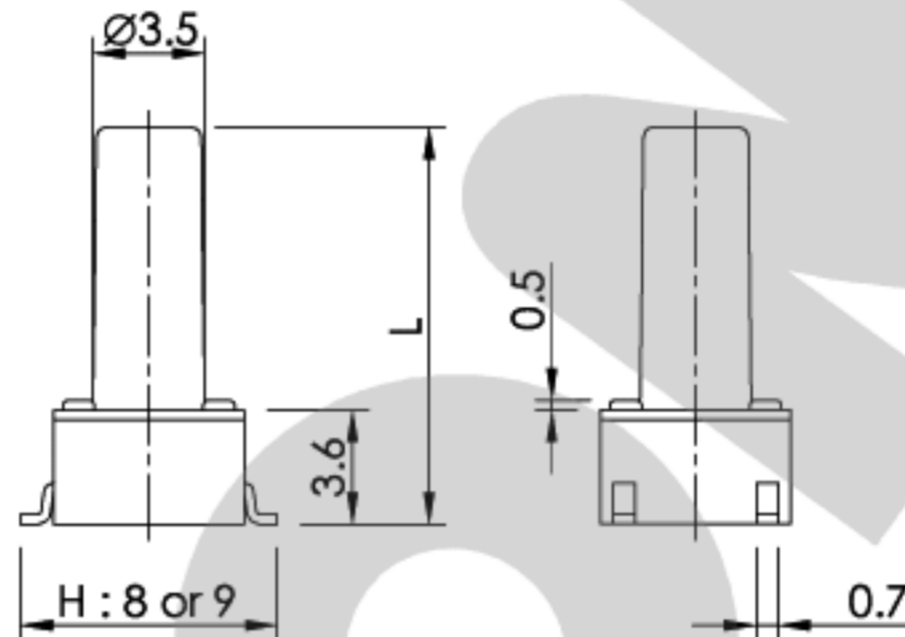
CIRCUIT DIAGRAM



IT-1102WB~1102WE



MODEL NO.	STEM (L)
IT-1102WB	7.0
IT-1102WC	8.0
IT-1102WD	9.5
IT-1102WE	7.3 x Ø3.4
IT-1102WF	12.5
IT-1102WG	13.5
IT-1102WI	17.0



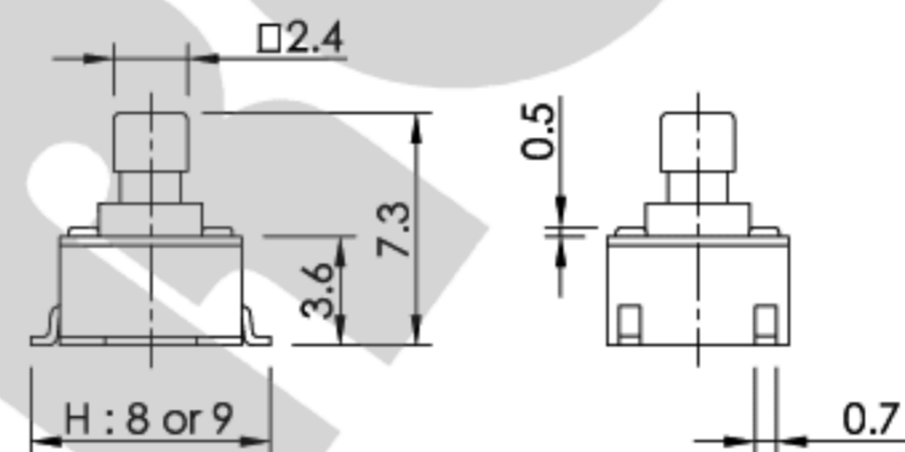
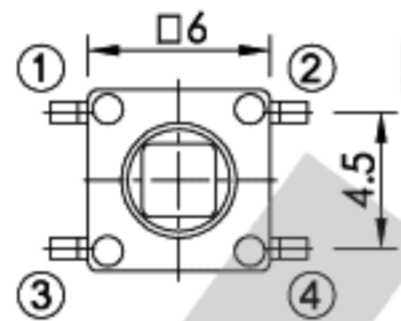
IT-1102WF~1102WI



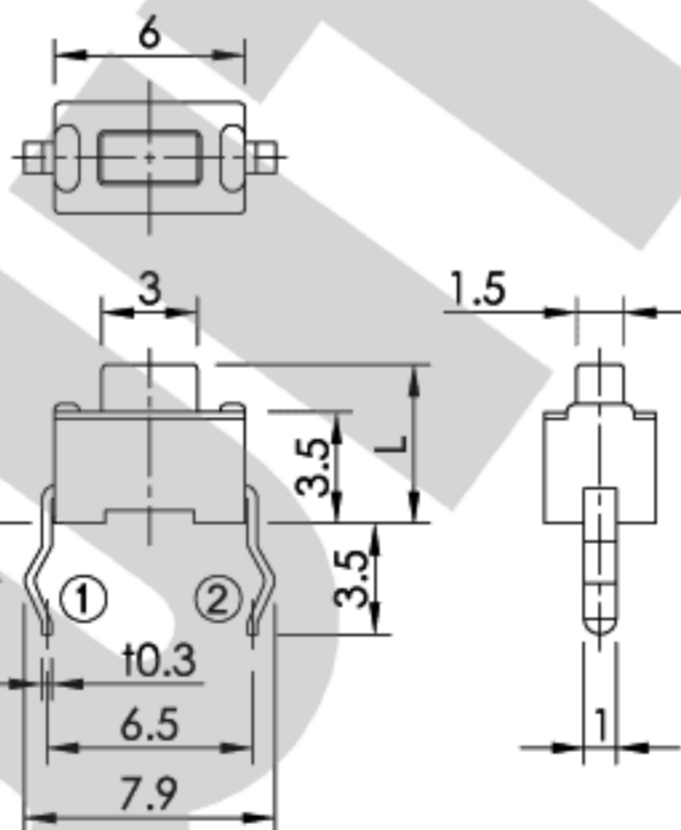
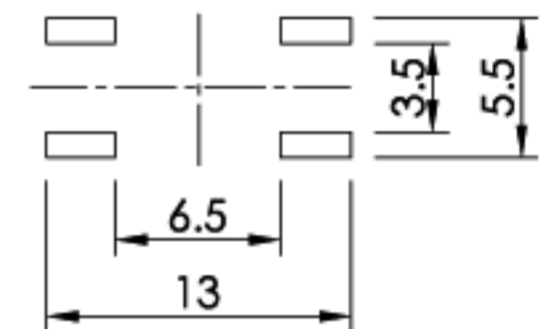
IT-1102WT



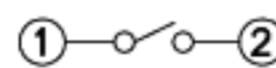
MODEL NO.	STEM (L)
IT-1102WT	7.3 x □2.4



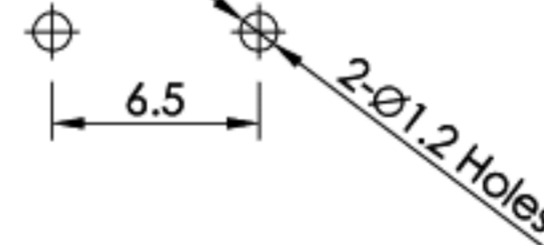
P.C.B. LAYOUT



CIRCUIT DIAGRAM

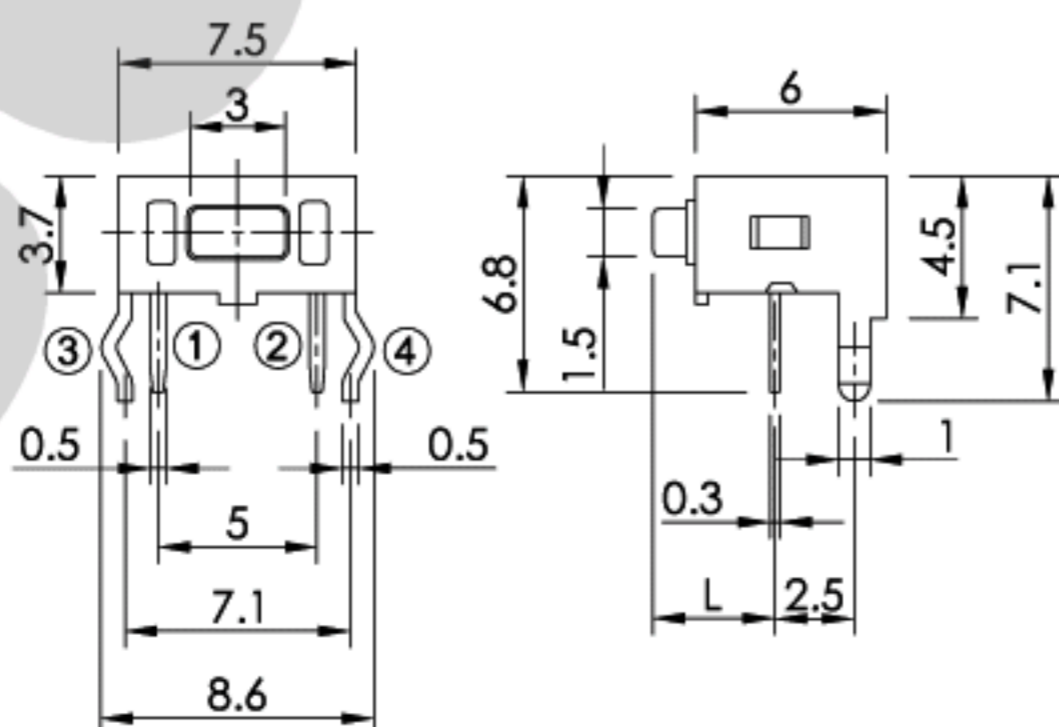


P.C.B. LAYOUT

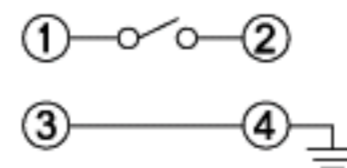


MODEL NO.	STEM (L)
0343	4.3
0350	5.0

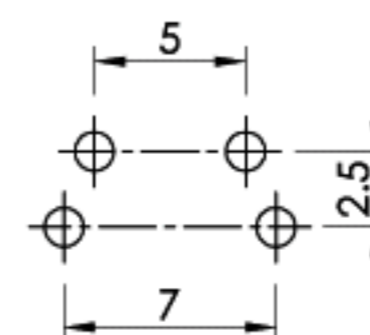
Rating : 50mA 12V DC.
 Travel : 0.25±0.1mm.
 Contact resistance : 100mΩ Max.
 Operating force : 130±50g.
 160, 250±50g.
 Life : 50,000 Cycles Min.



CIRCUIT DIAGRAM



P.C.B. LAYOUT



MODEL NO.	STEM (L)
IT-1101V	3.15
IT-1101VA	3.85

Rating : 50mA 12V DC.
 Travel : 0.25±0.1mm.
 Contact resistance : 100mΩ Max.
 Operating force : 130, 160, 250±50g.
 Life : 50,000 Cycles Min.

SPECIFICATION

Rating : 50mA 12V DC.
 Insulation resistance : >100MΩ 250V DC.
 Withstand voltage : 250V AC for 1 minute.
 Contact resistance : <100mΩ.
 Soldering temperature : 240°C Max. for 3 Sec.

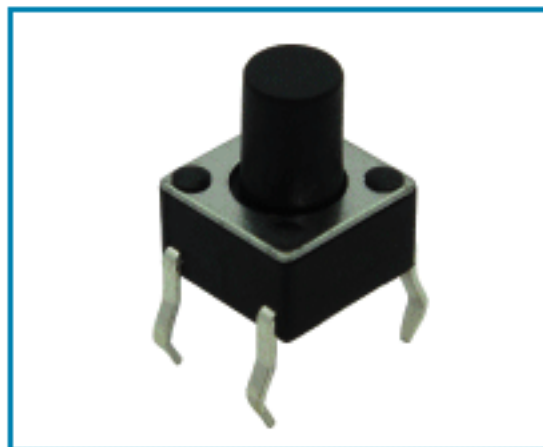
Mechanical life : 100,000 Cycles.
 Electrical life : 100,000 Cycles.
 Ambient temperature : -25°C ~ +70°C.
 Ambient humidity : <85% RH.
 Operating force : 130, 160, 250±50g.

0643~0660



MODEL NO.	L
0643	4.3
0650	5.0
0660	6.0

0670~0695

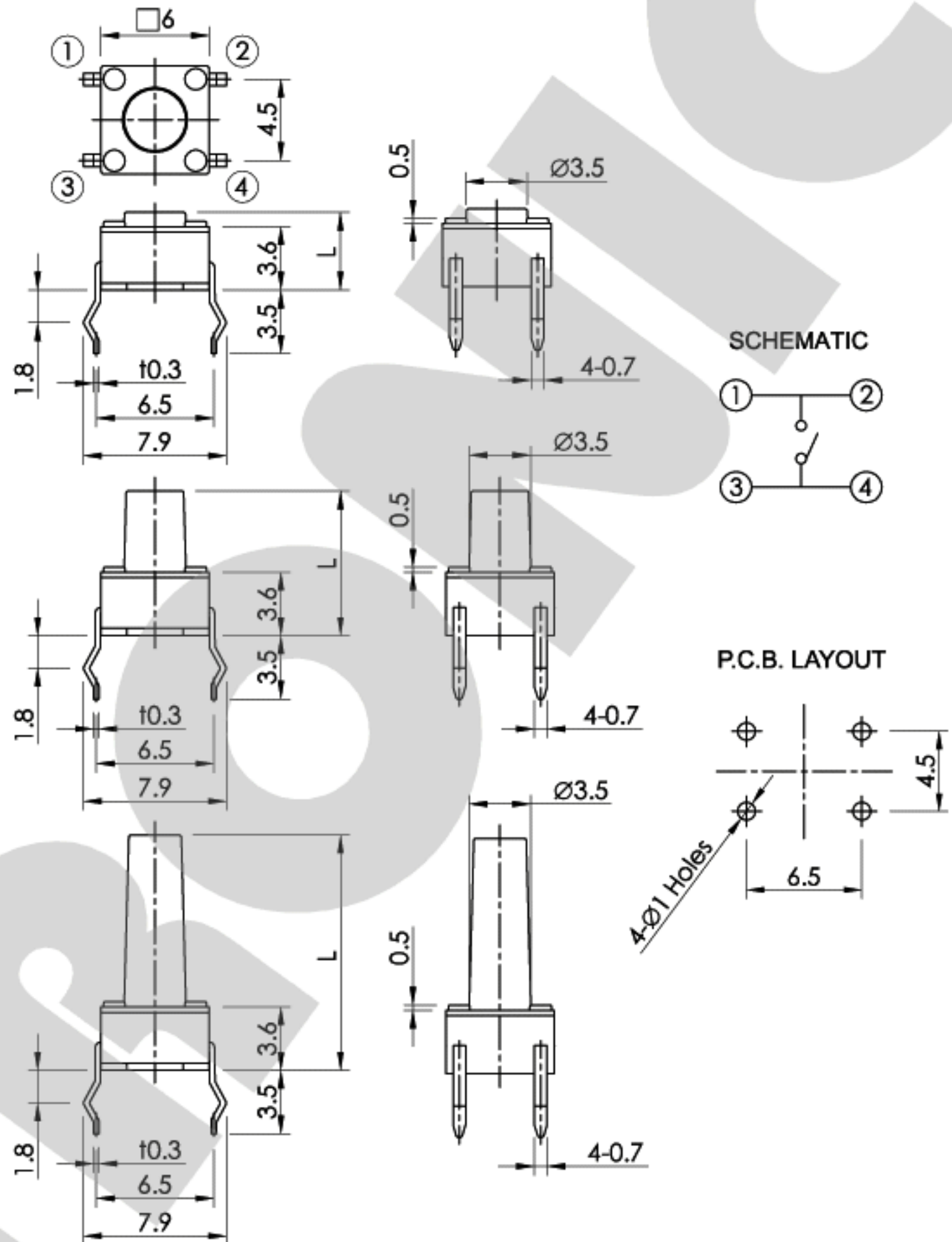


MODEL NO.	L
0670	7.0
0680	8.0
0690	9.0
0695	9.5

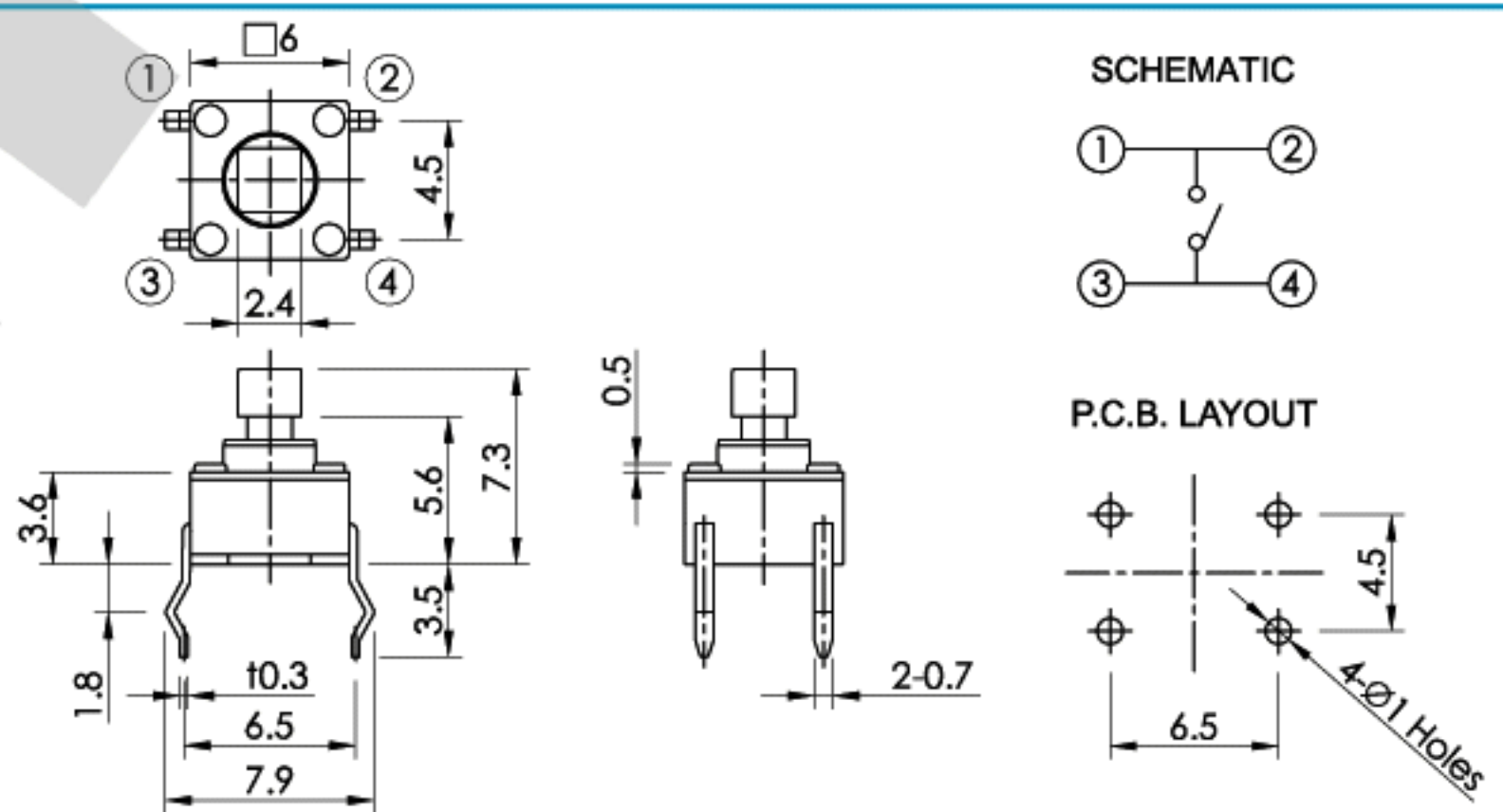
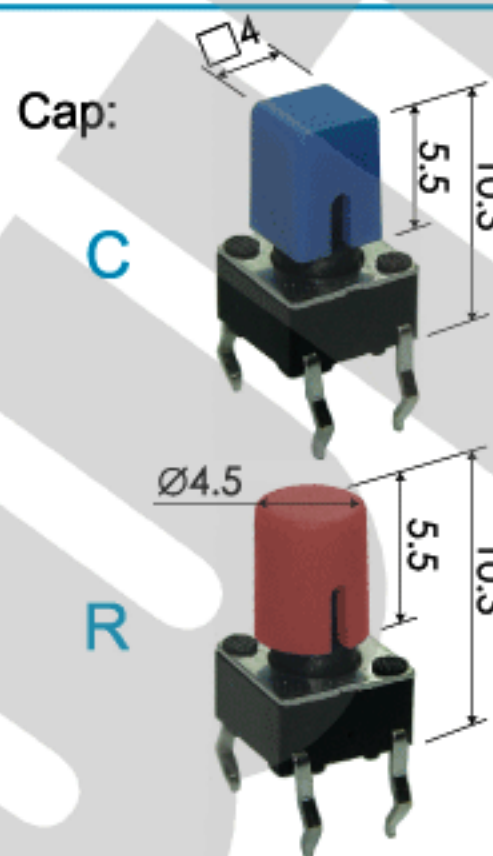
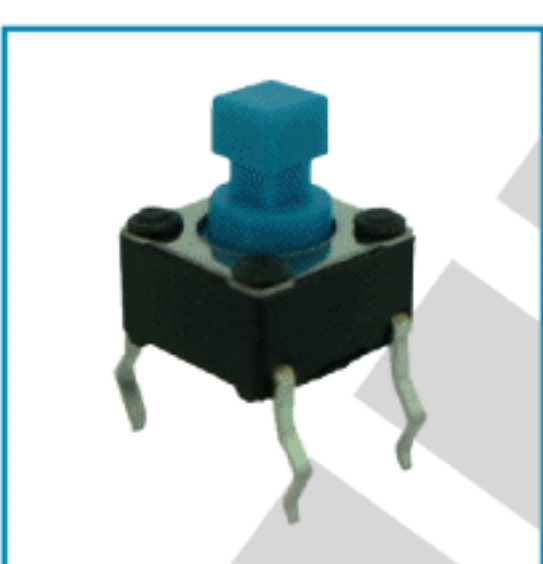
0611~0617



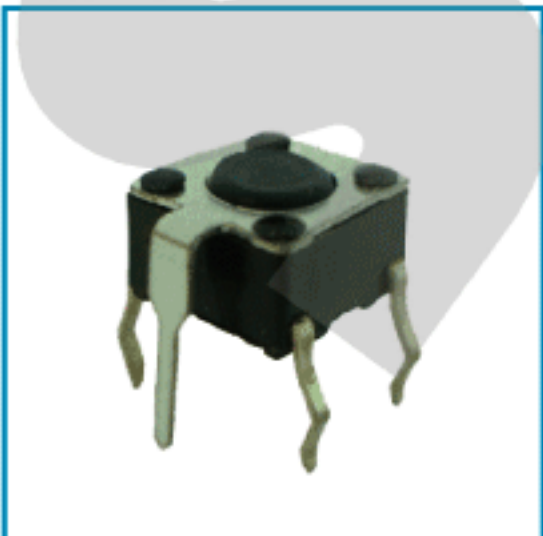
MODEL NO.	L
0611	11.0
0612	12.0
06125	12.5
0613	13.0
06135	13.5
0614	14.0
0615	15.0
0616	16.0
0617	17.0



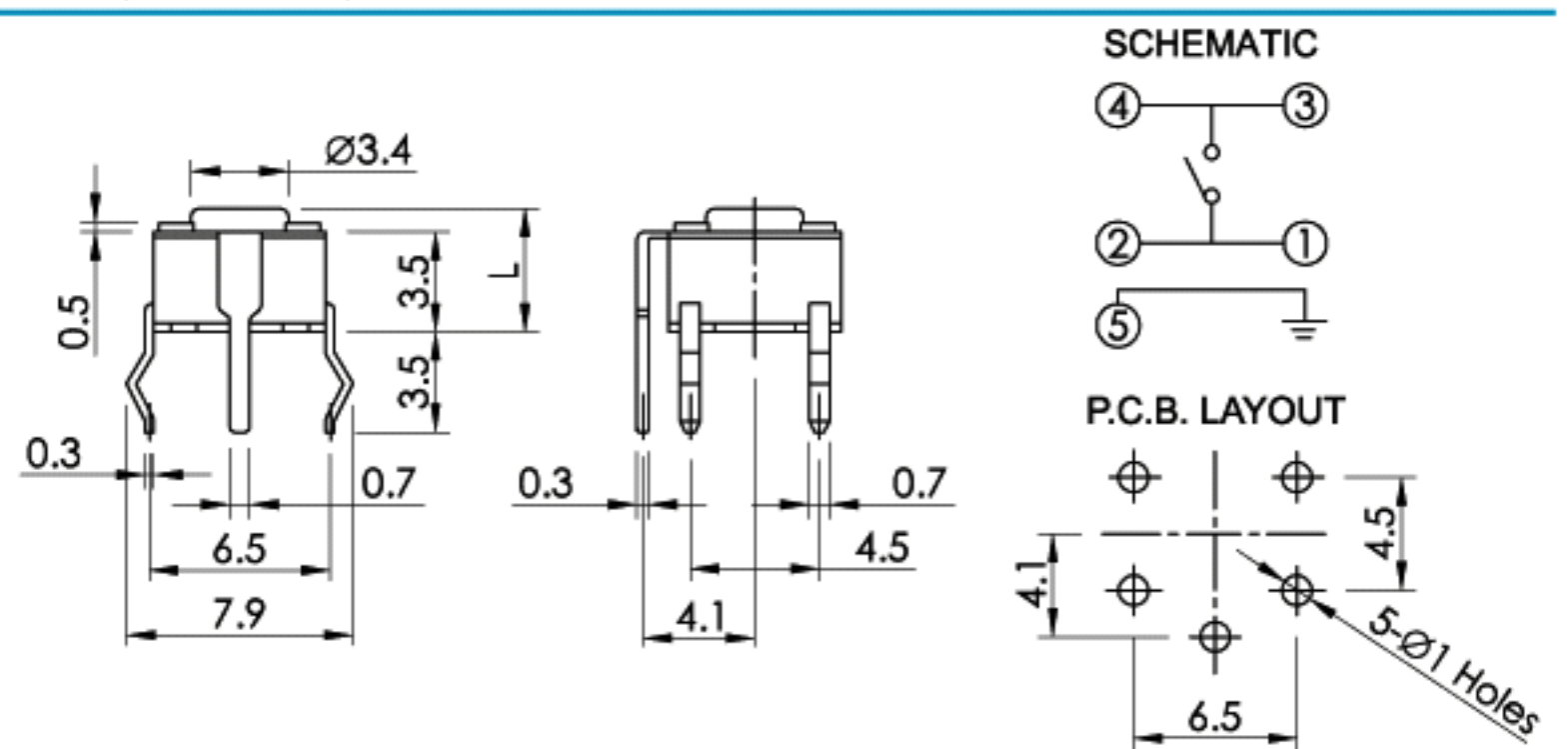
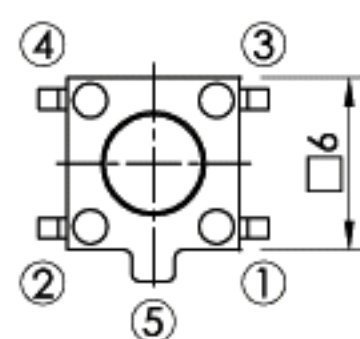
0673



0643G 0650G (Grounding)

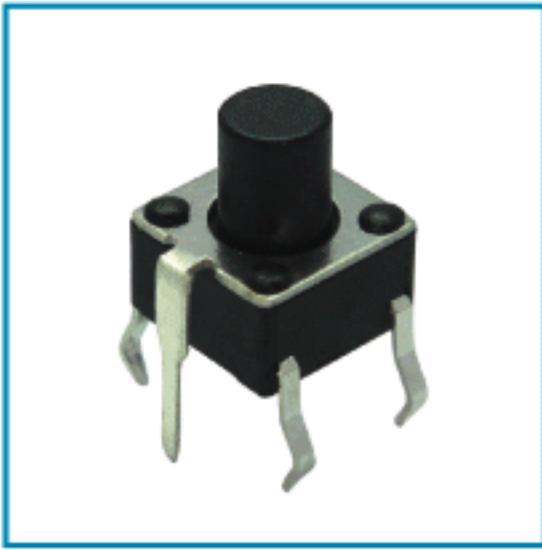


MODEL NO.	L
0643G	4.3
0650G	5.0

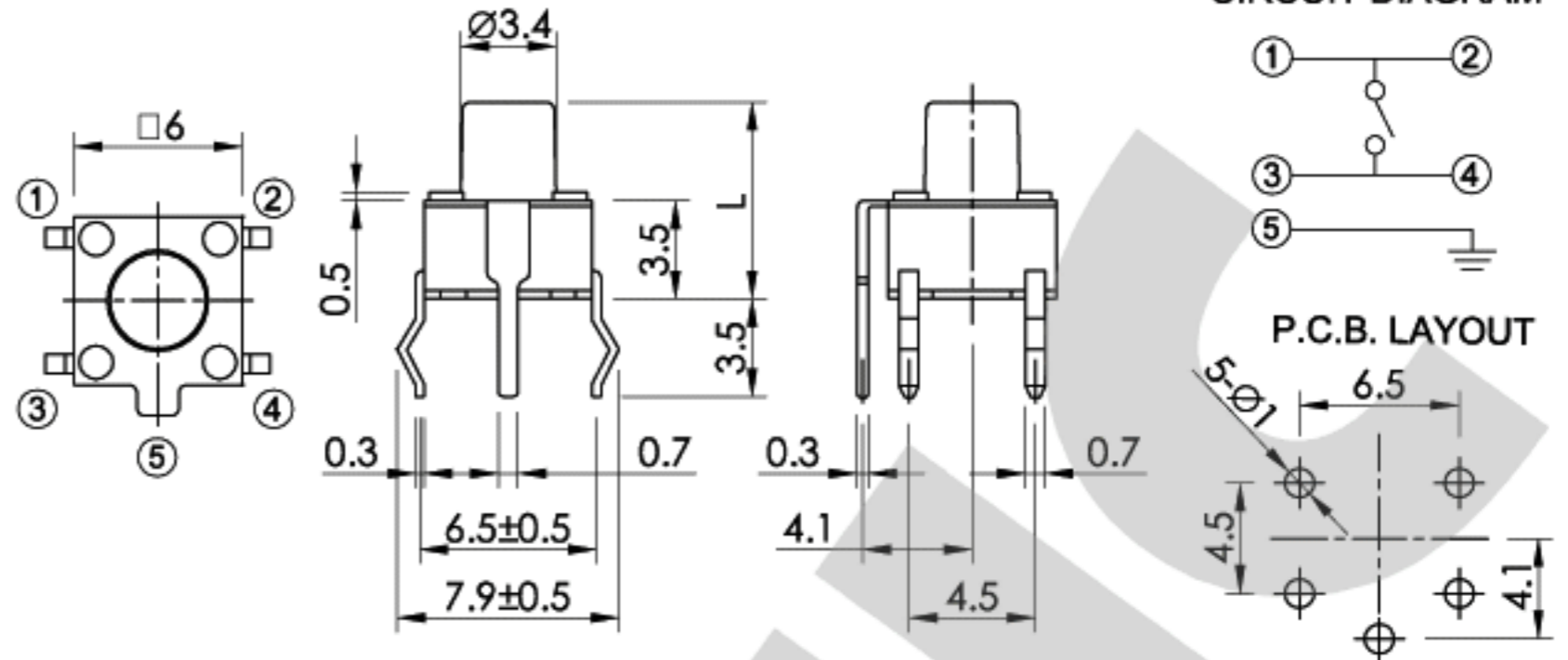


06,07 Series Tact Switches

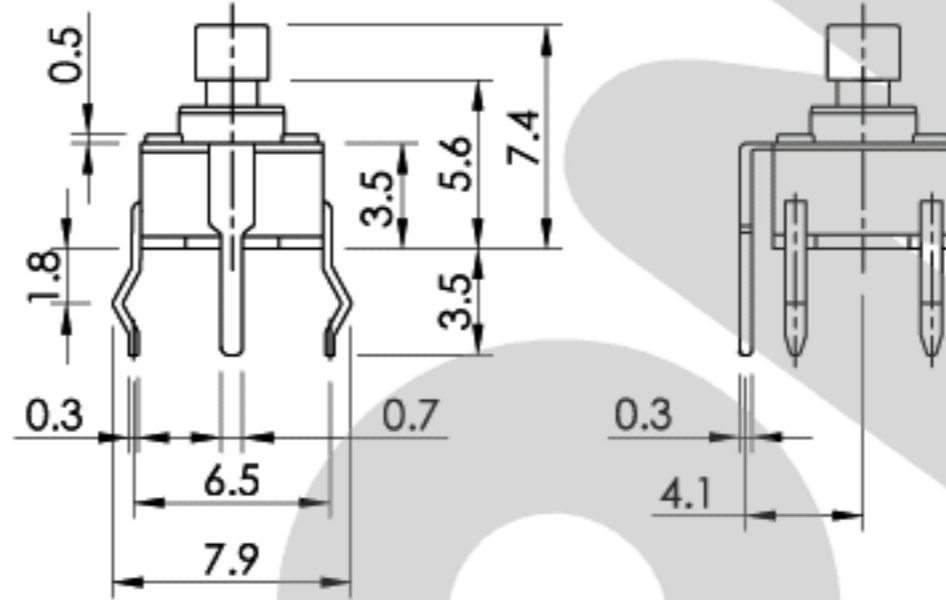
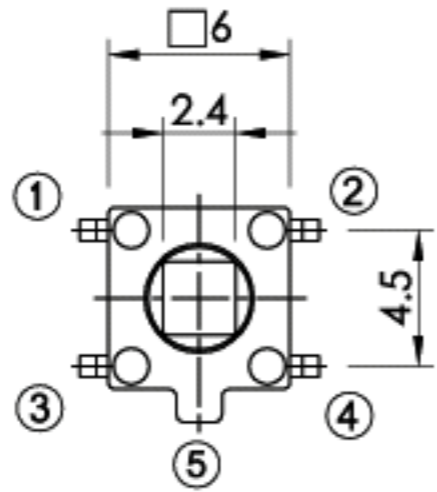
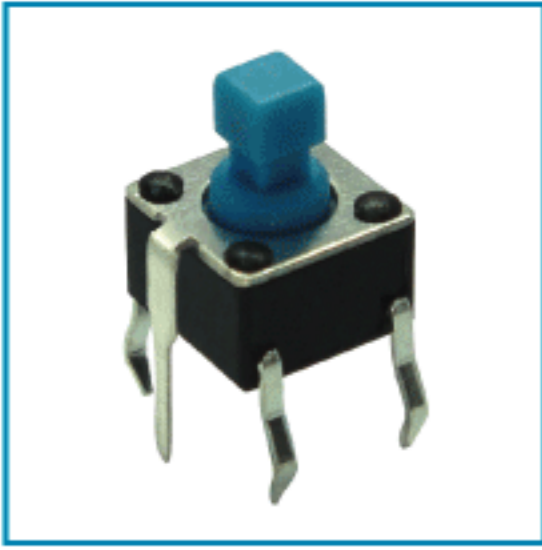
0670G,0680G,0695G, (Grounding)
06125G,06135G



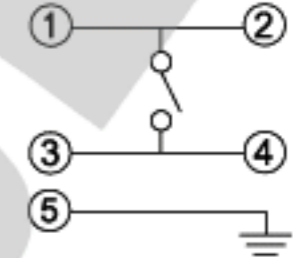
MODEL NO.	L
0670G	7.0
0680G	8.0
0695G	9.5
06125G	12.5
06135G	13.5



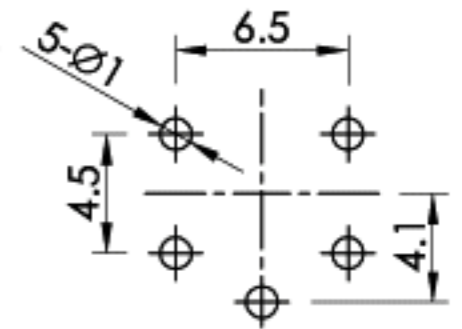
0673G (Grounding)



CIRCUIT DIAGRAM



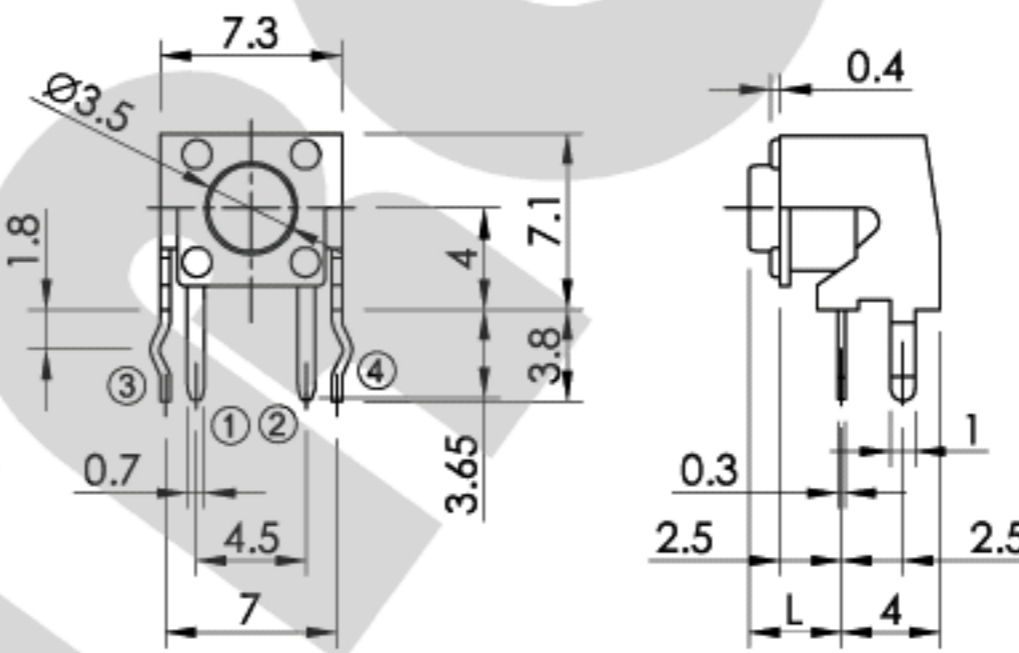
P.C.B. LAYOUT



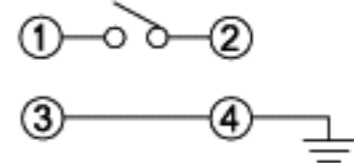
0743, 0750



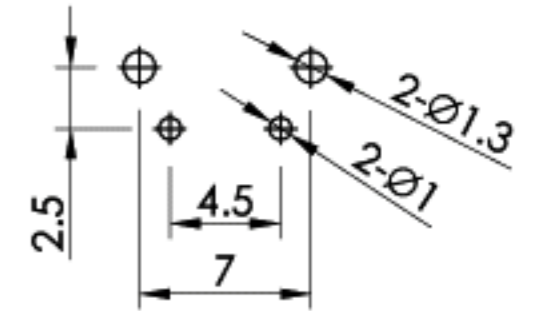
MODEL NO.	L
0743	3.15
0750	3.85



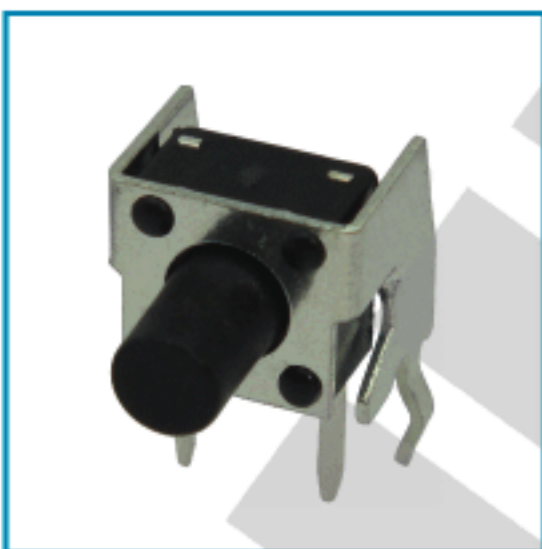
CIRCUIT DIAGRAM



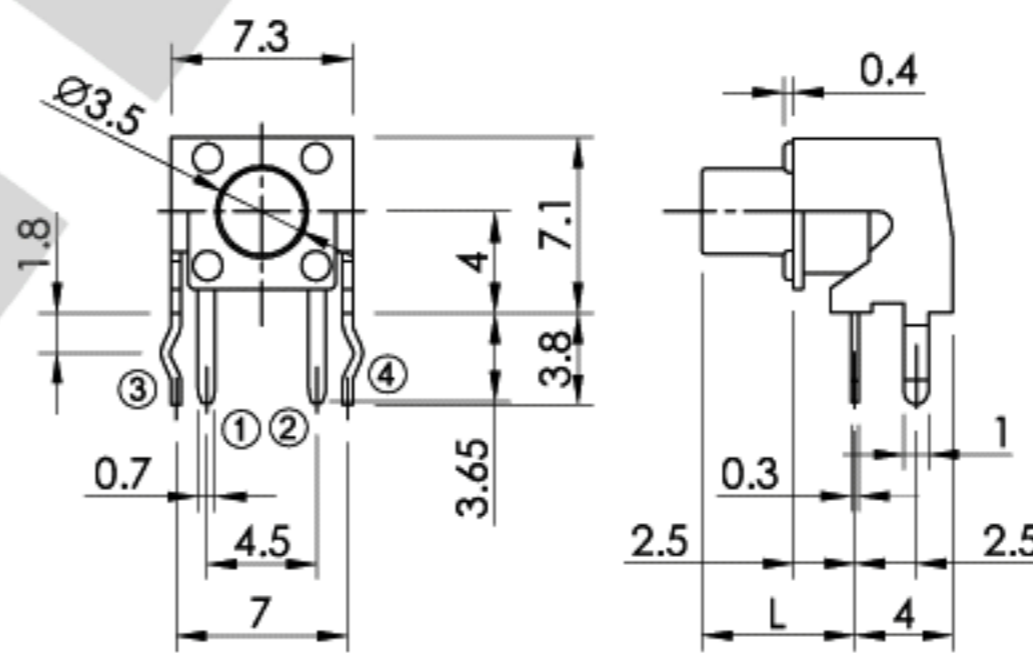
P.C.B. LAYOUT



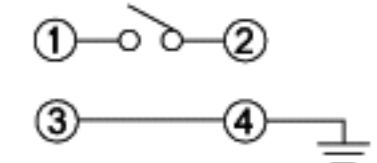
0770, 0780, 0795



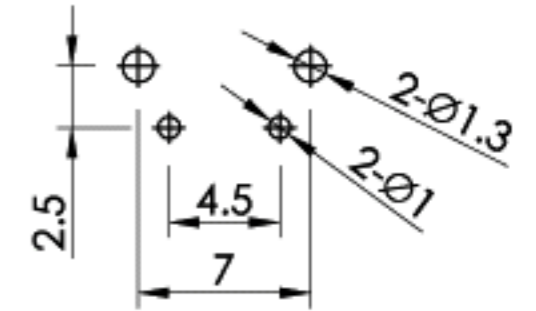
MODEL NO.	L
0770	5.85
0780	6.85
0795	8.35
07125	11.35
07135	12.35



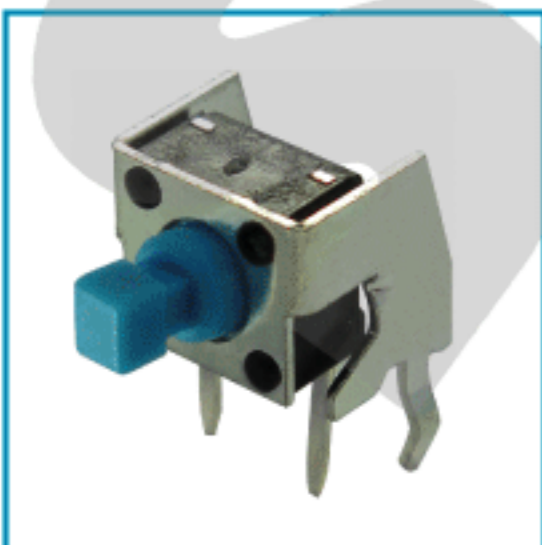
CIRCUIT DIAGRAM



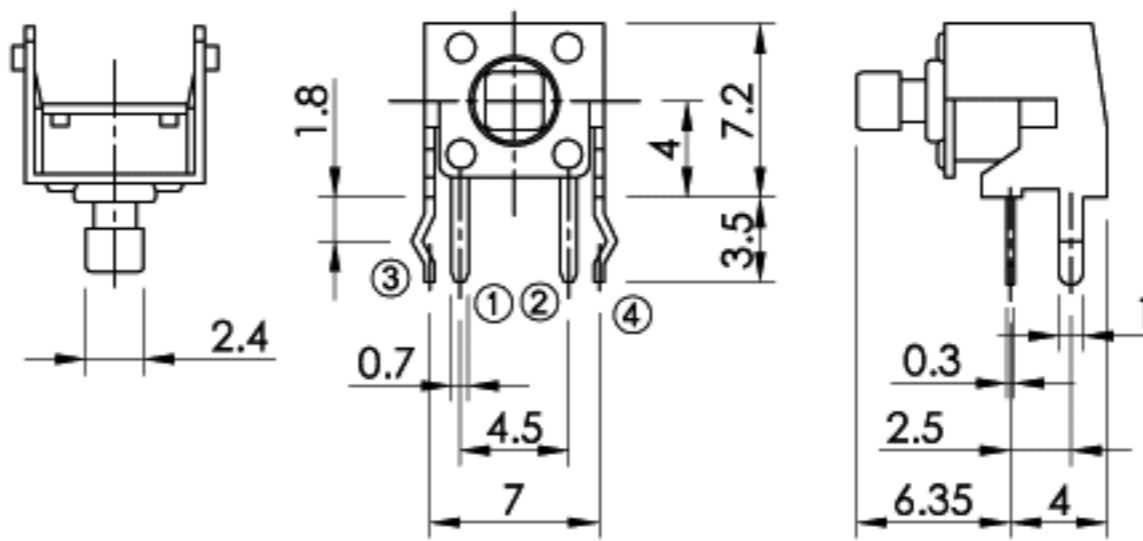
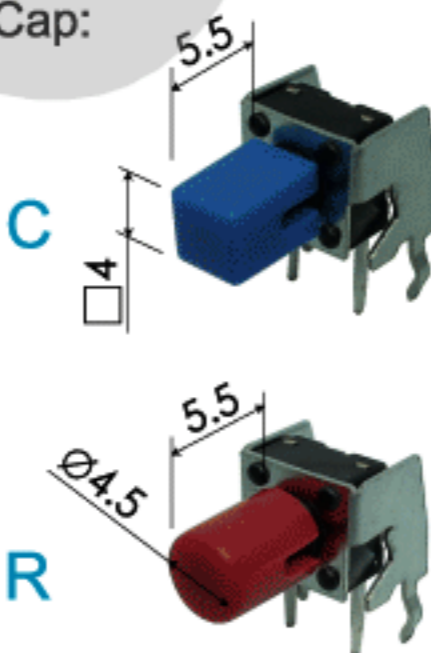
P.C.B. LAYOUT



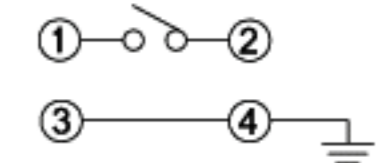
0773



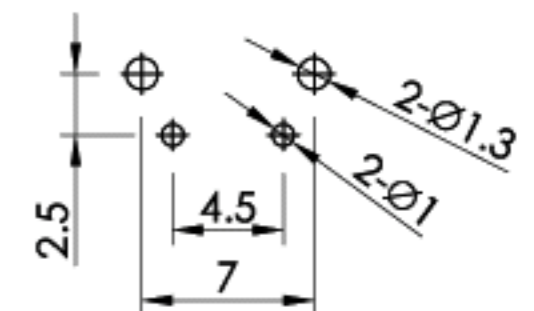
Cap:



CIRCUIT DIAGRAM



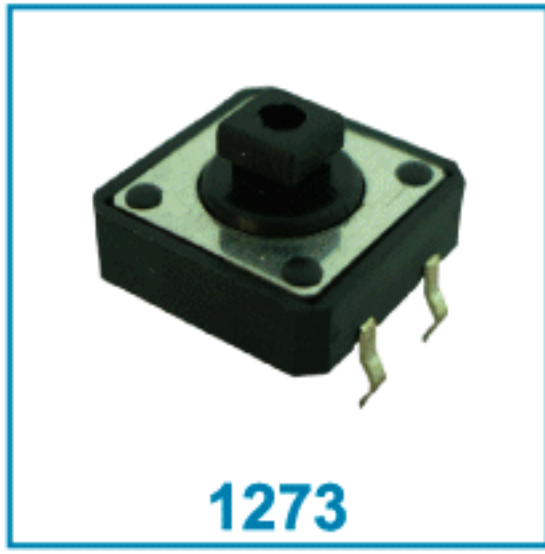
P.C.B. LAYOUT



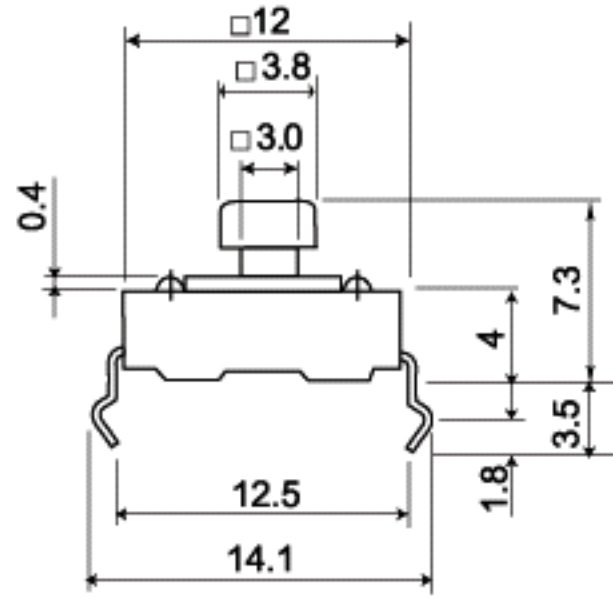
12 Series Tact Switches

NEW (SMD Type optional)

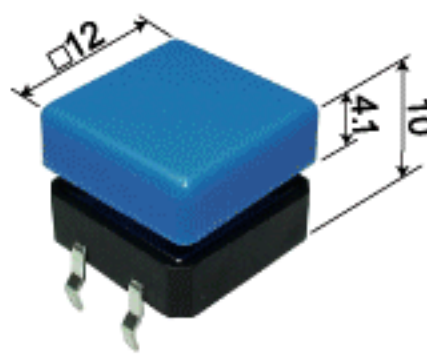
LICO



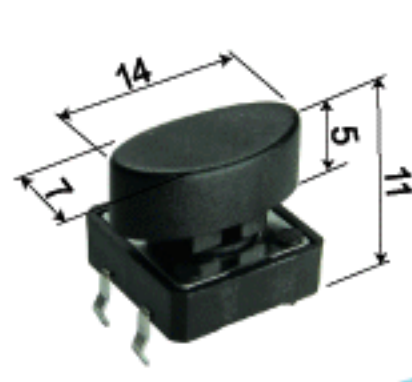
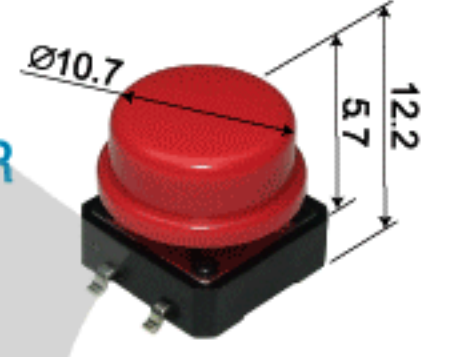
1273



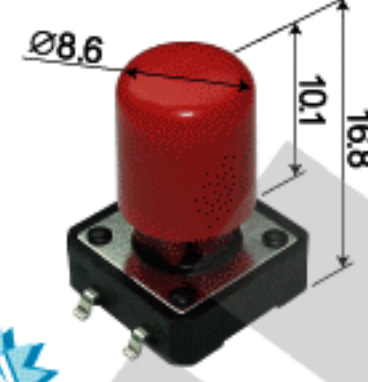
1273C CAP



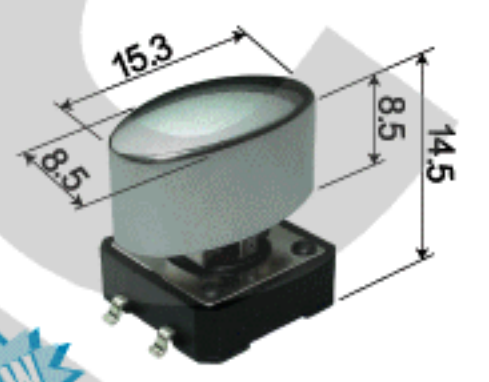
1273R CAP



KM8



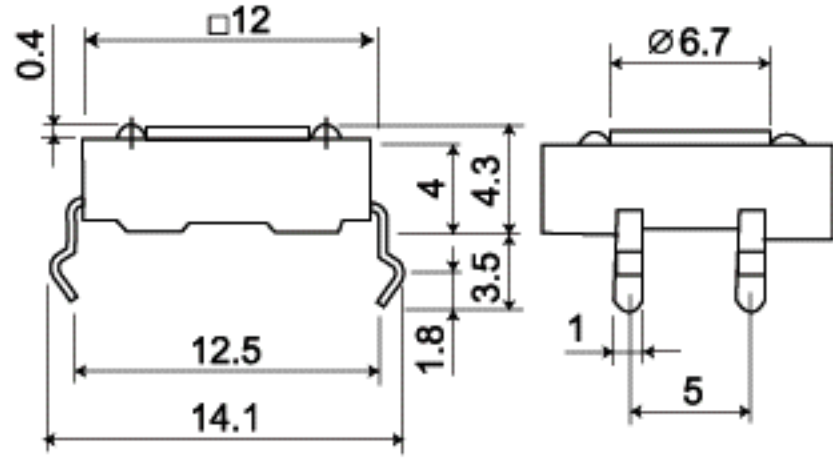
KM4



KM6



1243



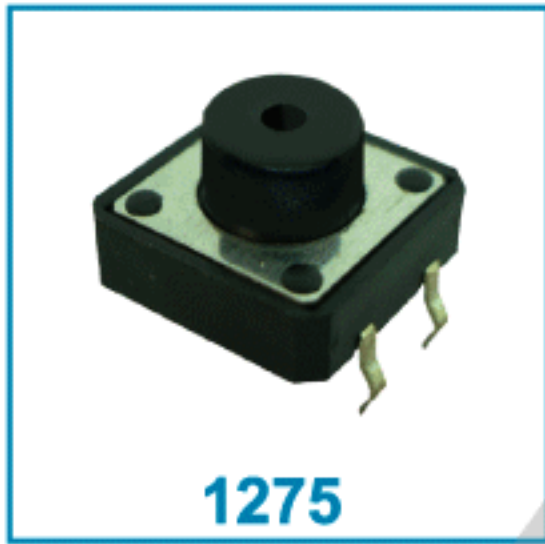
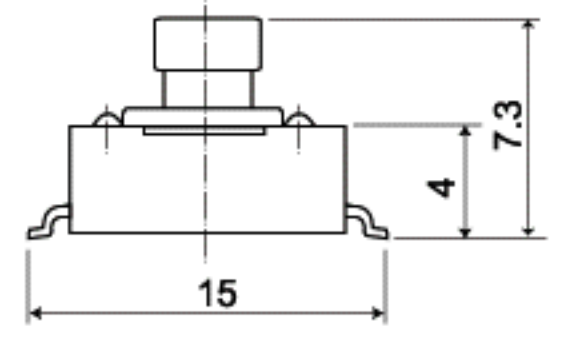
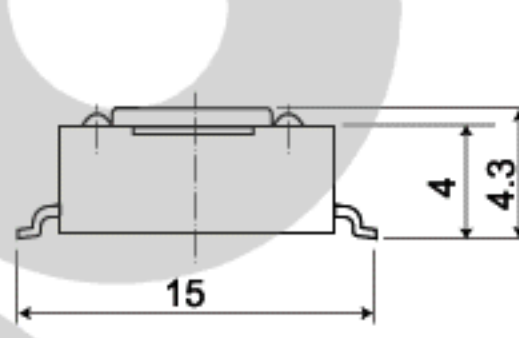
Rating : 50mA 12V DC.
 Travel : 0.3±0.15mm.
 Contact resistance : 100mΩ Max.
 Operating force : 130, 160, 250±50g.
 Life : 100,000 Cycles Min.



1243S (SMD)



1273S (SMD)

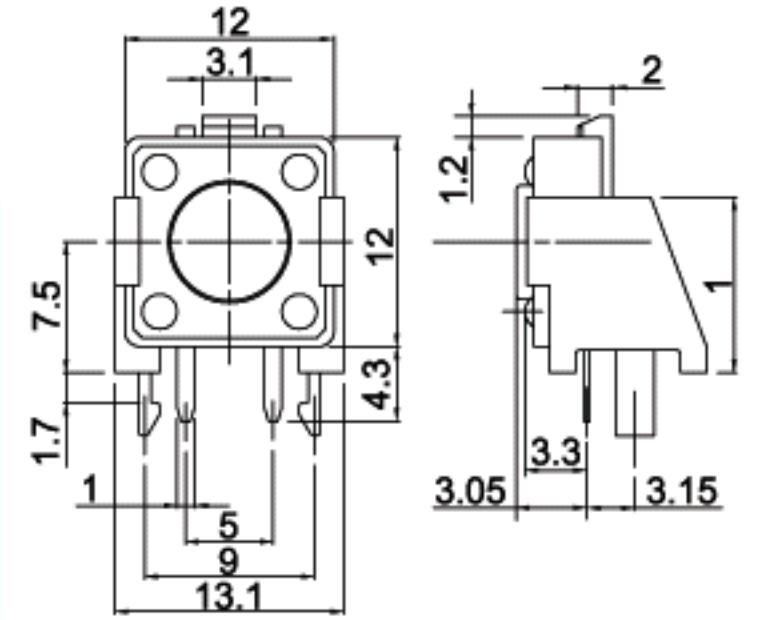


1275

MODEL NO.	L
1260	6.0
1275	7.5
1280	8.0
1285	8.5
1290	9.0
1295	9.5
1210	10.0
1211	11.0
1213	13.0
1215	15.0



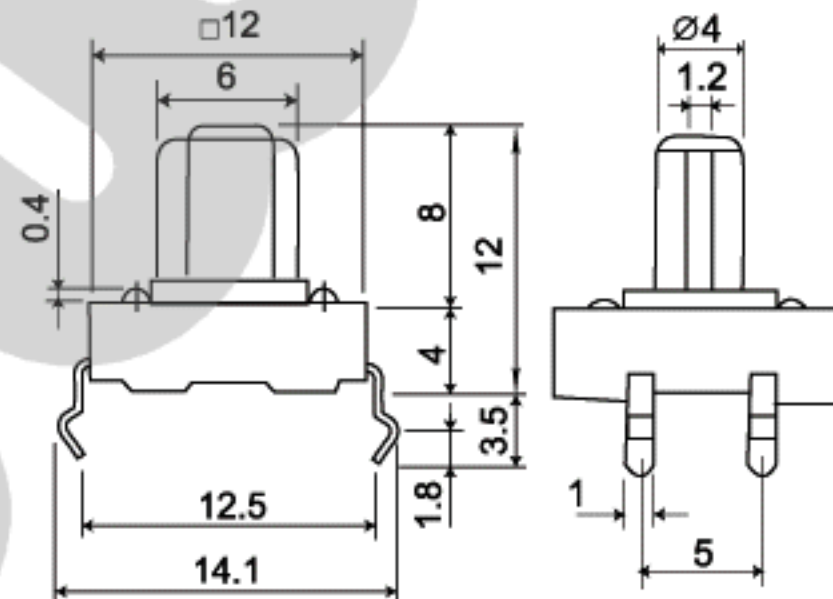
1243V



Rating : 50mA 12V DC.
 Travel : 0.3±0.15mm.
 Contact resistance : 100mΩ Max.
 Operating force : 130, 160, 250±50g.
 Life : 100,000 Cycles Min.



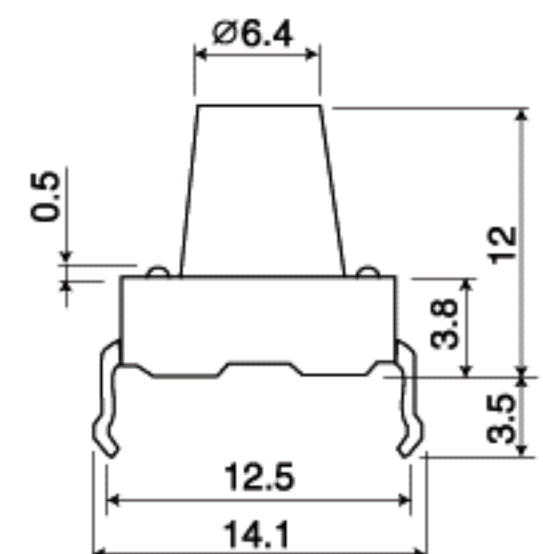
1212



Rating : 50mA 12V DC.
 Travel : 0.3±0.15mm.
 Contact resistance : 100mΩ Max.
 Operating force : 130, 160, 250±50g.
 Life : 100,000 Cycles Min.



1212D



Rating : 50mA 12V DC.
 Travel : 0.3±0.15mm.
 Contact resistance : 100mΩ Max.
 Operating force : 130, 160, 250±50g.
 Life : 100,000 Cycles Min.