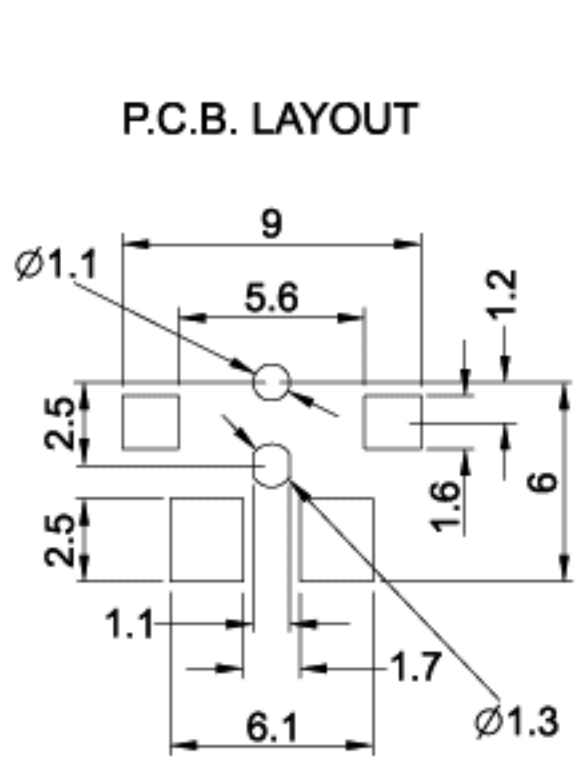
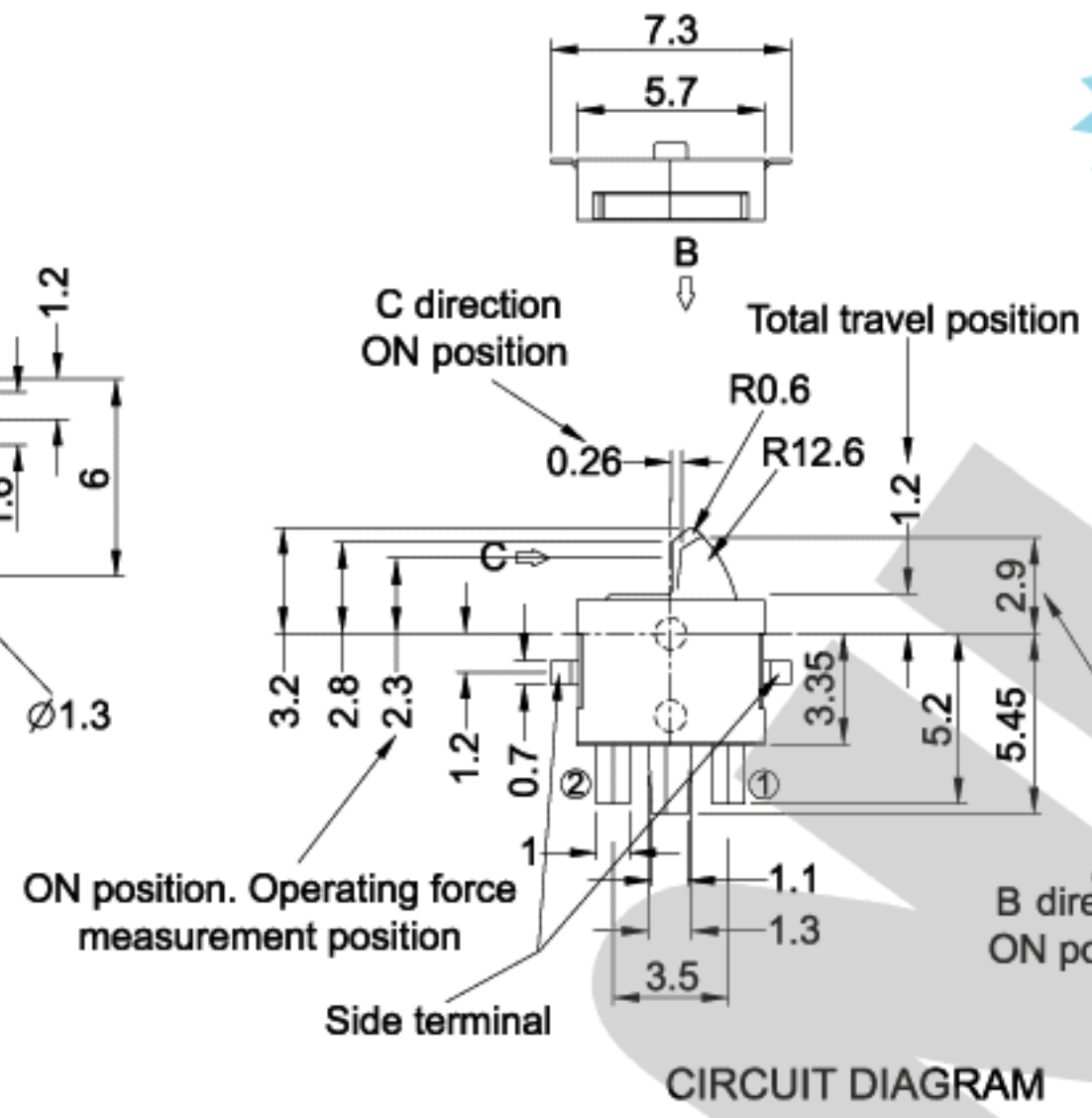




TPS-12MTR



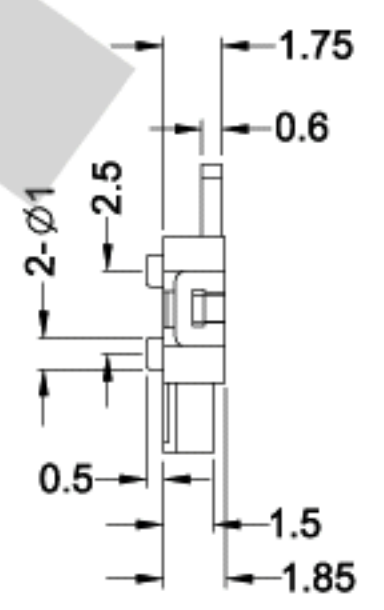
Rating : 10mA 5V DC.
 Contact resistance : Initial performance : 500mΩ Max.
 After life time : 1Ω Max.
 Insulation resistance : 100MΩ Min. at 100V DC.
 Withstand voltage : 100V AC for 1 minute.
 Operating temperature : -20°C ~ +70°C.
 Operating force : 31g.
 Life (with load) : 100,000 Cycles.
 Soldering temperature : Manual soldering : 300°C Max. for 3 Sec.
 Reflow soldering : 250°C Max. for 3 Sec.



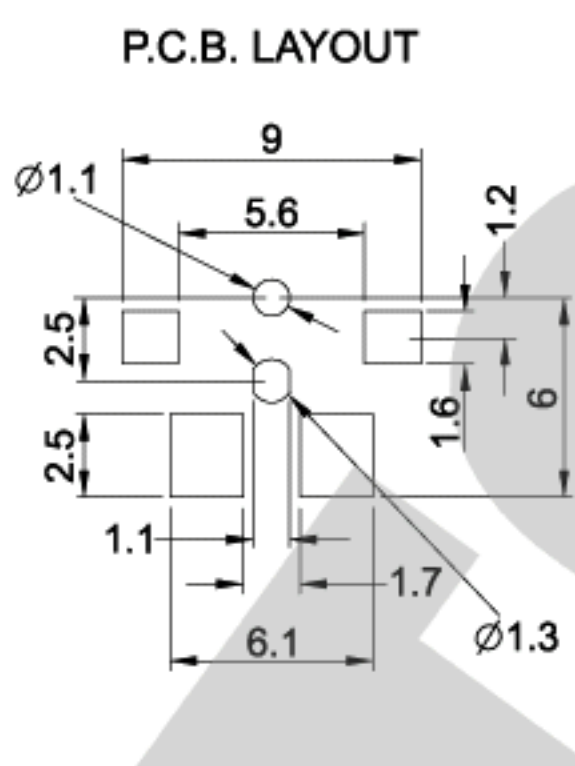
CIRCUIT DIAGRAM



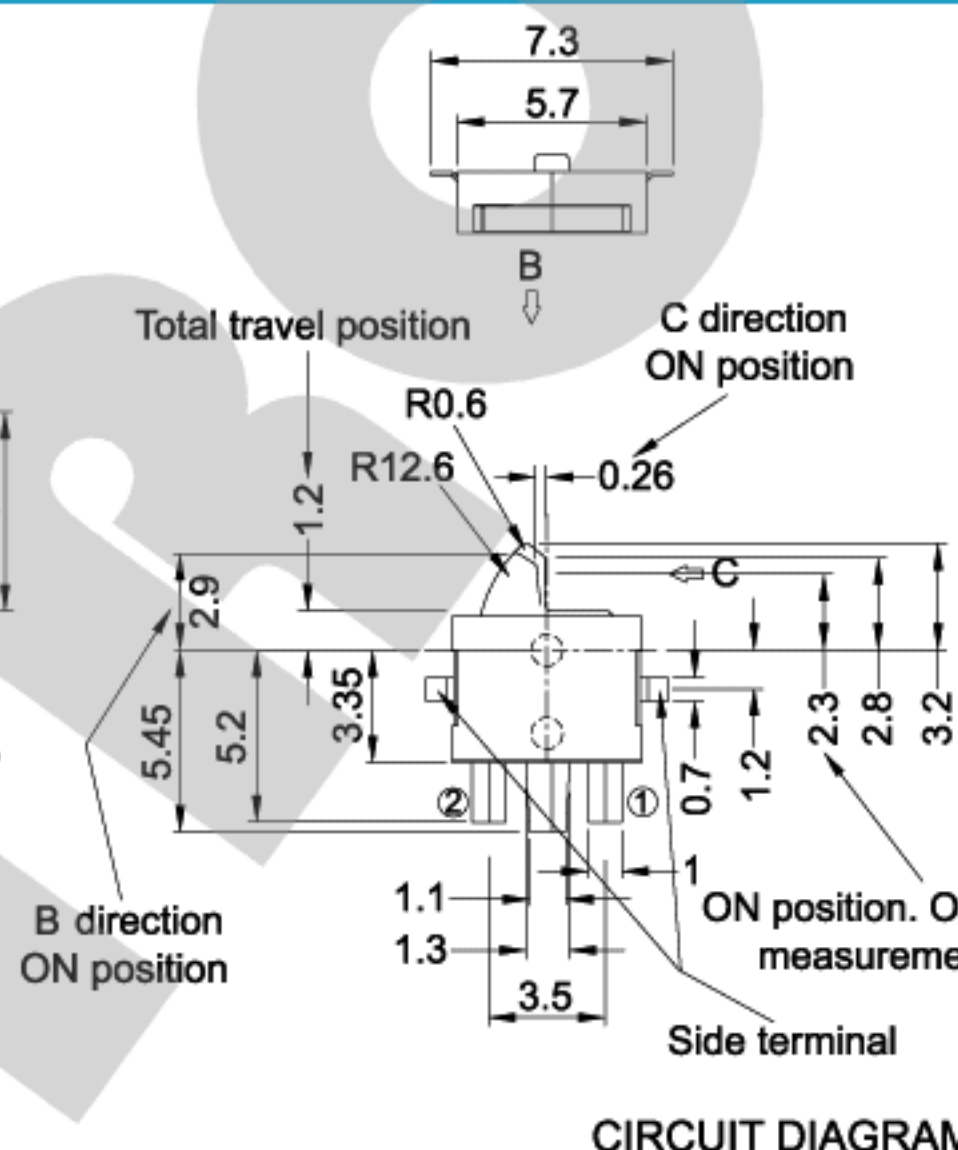
TPS-12NTR



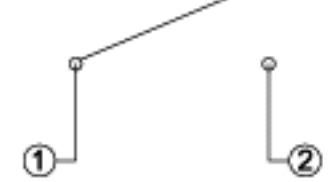
TPS-12MTL



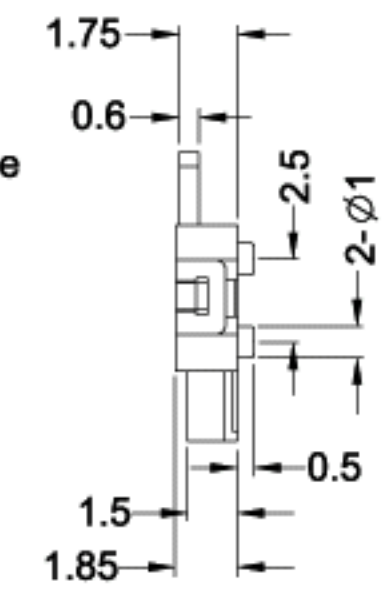
Rating : 10mA 5V DC.
 Contact resistance : Initial performance : 500mΩ Max.
 After lifetime : 1Ω Max.
 Insulation resistance : 100MΩ Min. at 100V DC.
 Withstand voltage : 100V AC for 1 minute.
 Operating temperature : -20°C ~ +70°C.
 Operating force : 31g.
 Life (with load) : 100,000 Cycles.
 Soldering temperature : Manual soldering : 300°C Max. for 3 Sec.
 Reflow soldering : 250°C Max. for 3 Sec.



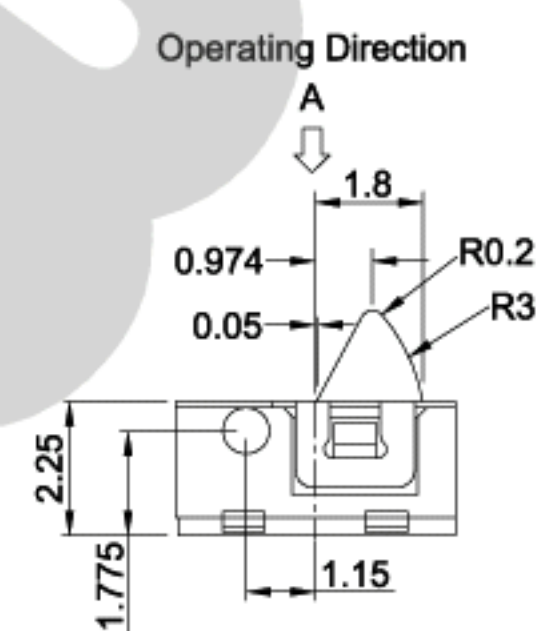
CIRCUIT DIAGRAM



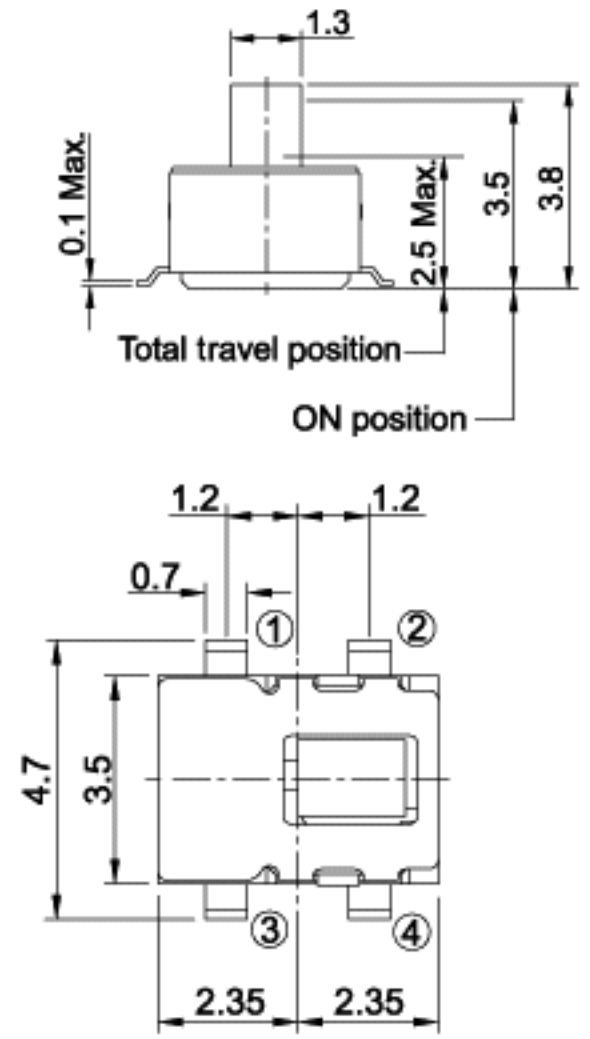
TPS-12NTL



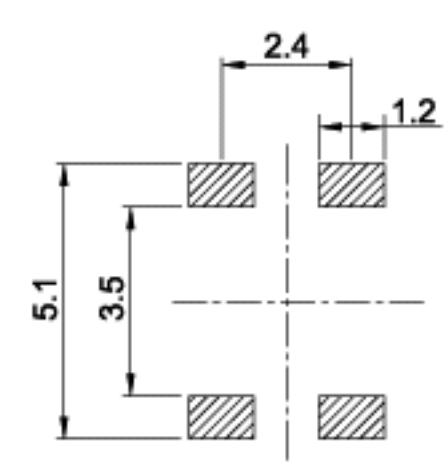
DS1-01



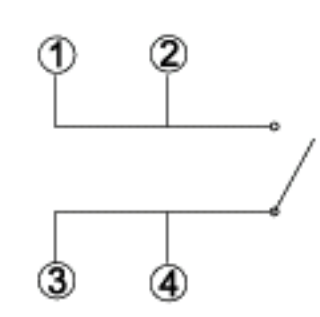
Rating : 10mA 5V DC.
 Contact resistance : 500mΩ Max. (initial)
 Insulation resistance : 50MΩ Min. at 250V DC.
 Withstand voltage : 250V AC for 1 minute.
 Operating temperature : -10°C ~ +70°C.
 Operating force : 35g Max.
 Mechanical life : 100,000 Cycles Min.

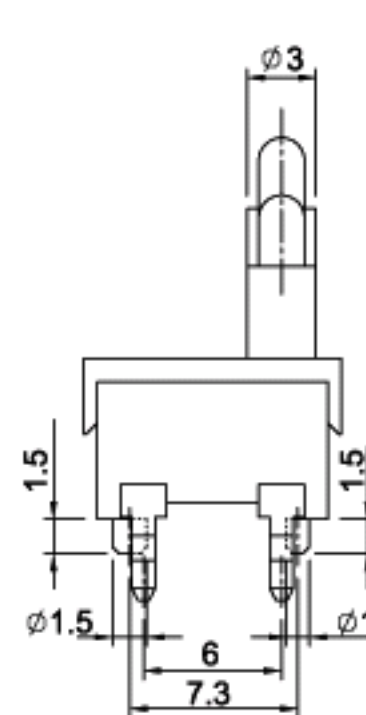
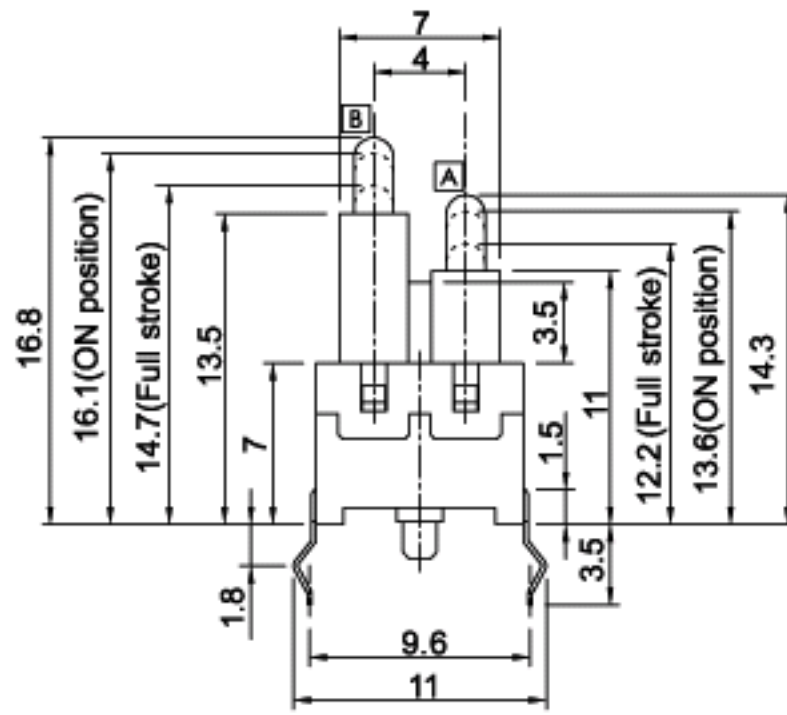


P.C.B. LAYOUT

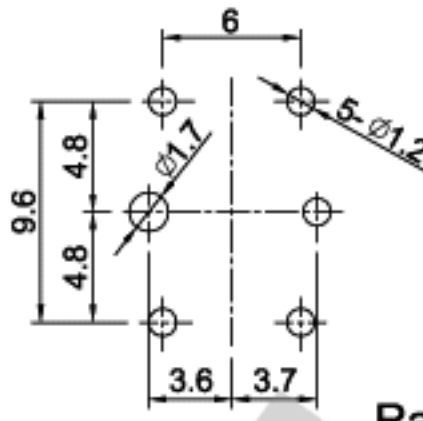


CIRCUIT DIAGRAM

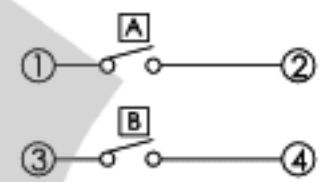




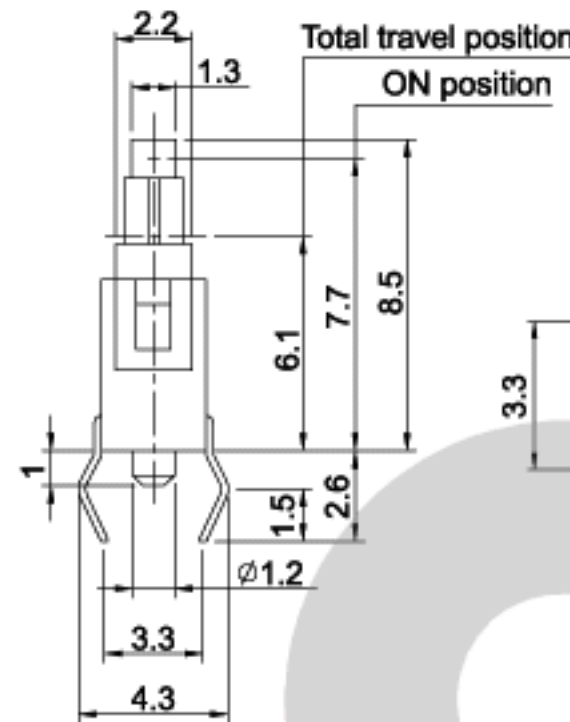
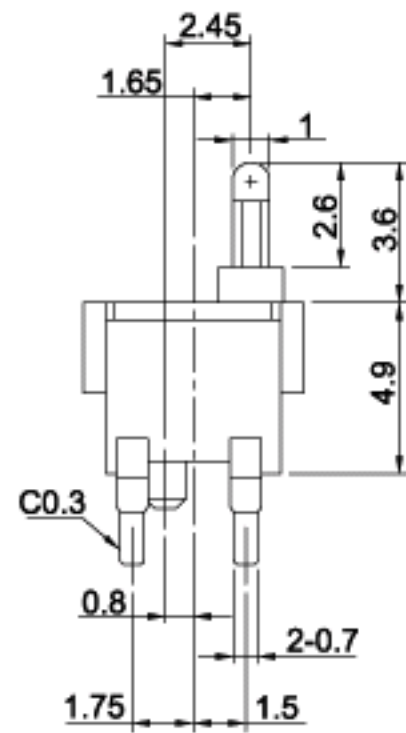
P.C.B. LAYOUT



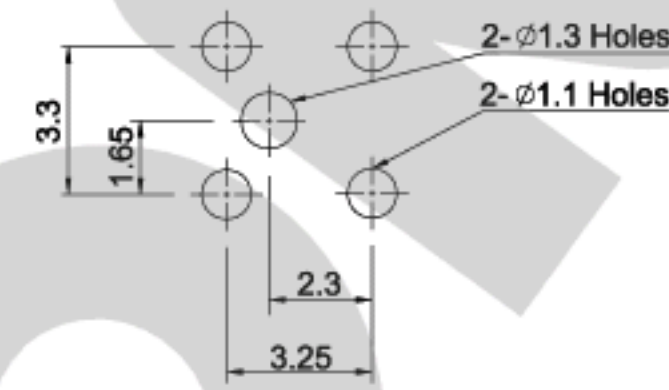
CIRCUIT DIAGRAM



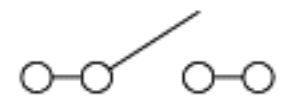
Rating : 10mA 30V DC Max.
Contact resistance : 200mΩ Max.
Operating force : 50g Max.
Life : 50,000 Cycles Min.



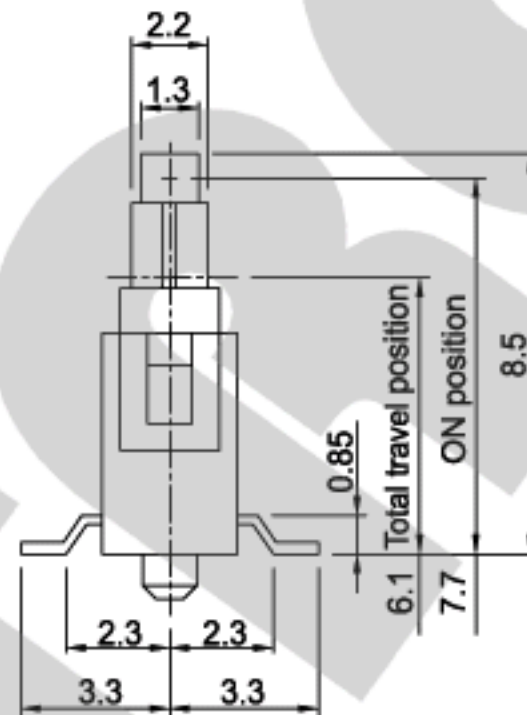
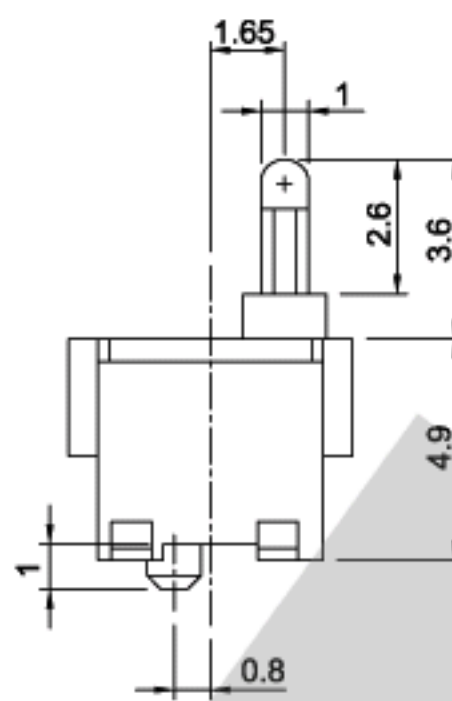
P.C.B. LAYOUT



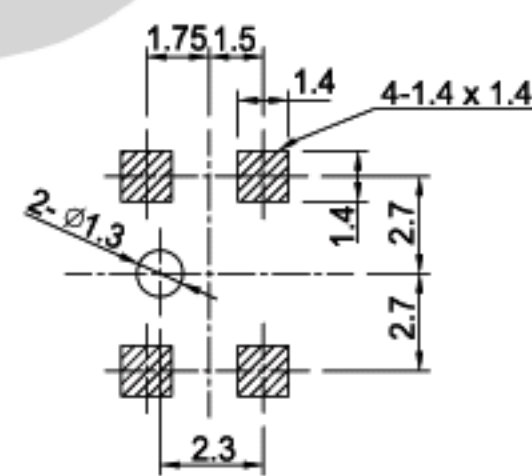
CIRCUIT DIAGRAM



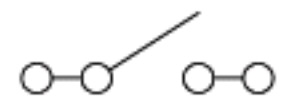
Rating : 0.1A 30V DC.
Circuit : SPST.
Contact resistance : 1Ω Max.
Operating force : 36g Max.
Life : 50,000 Cycles.



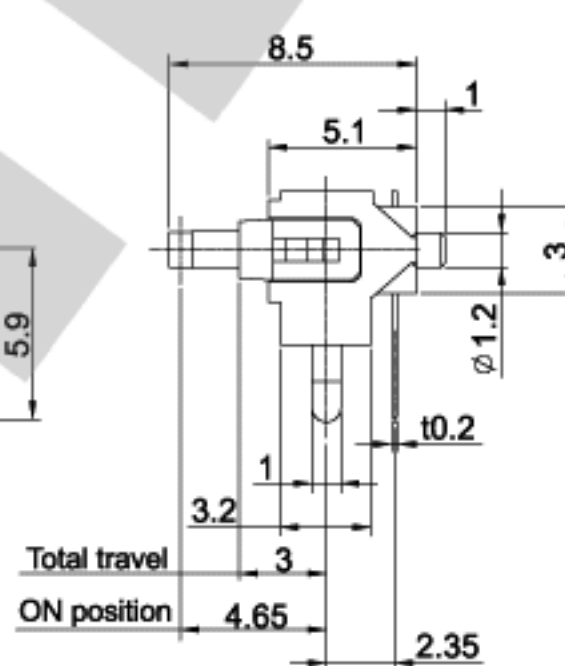
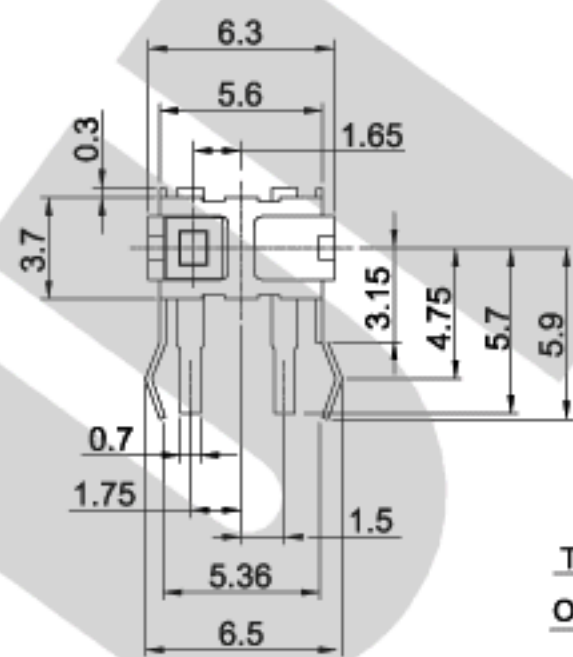
P.C.B. LAYOUT



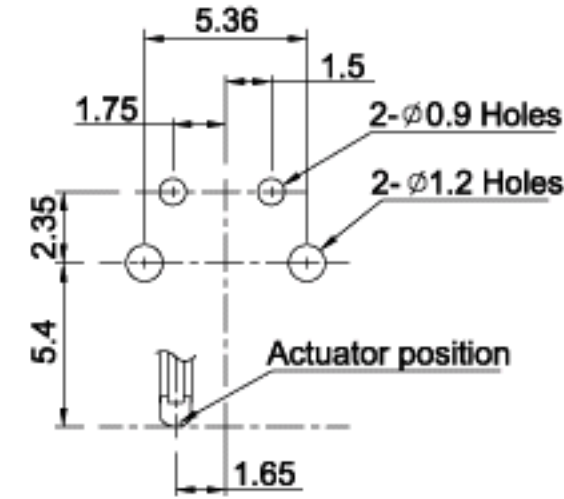
CIRCUIT DIAGRAM



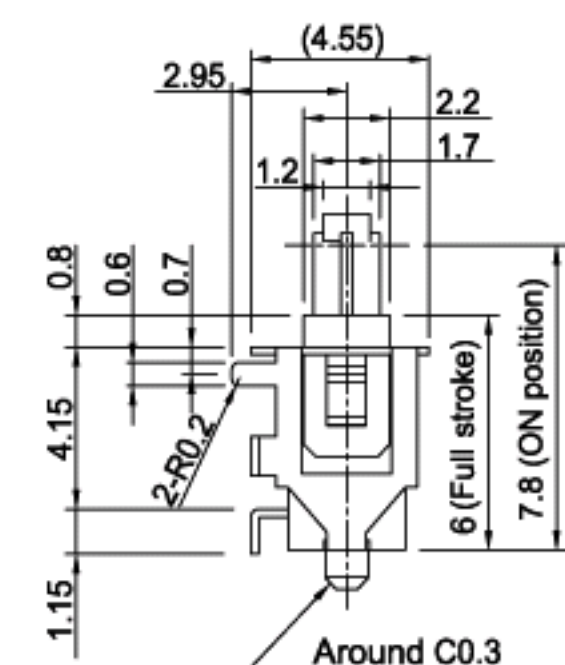
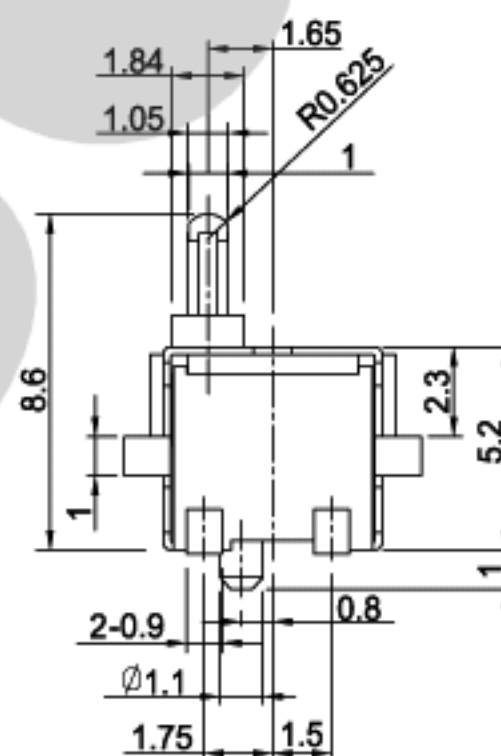
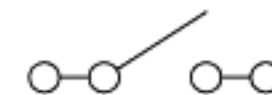
Rating : 0.1A 30V DC.
Circuit : SPST.
Contact resistance : 1Ω Max.
Operating force : 36g Max.
Life : 50,000 Cycles Min.



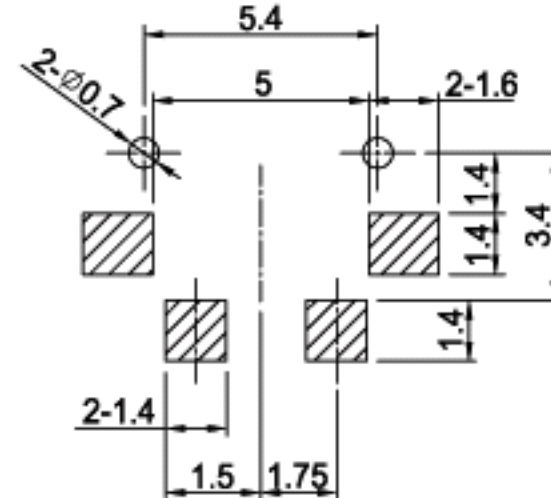
P.C.B. LAYOUT



CIRCUIT DIAGRAM



P.C.B. LAYOUT



CIRCUIT DIAGRAM

