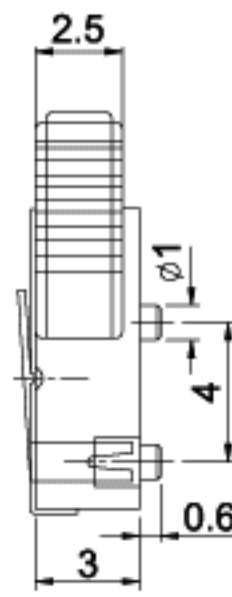
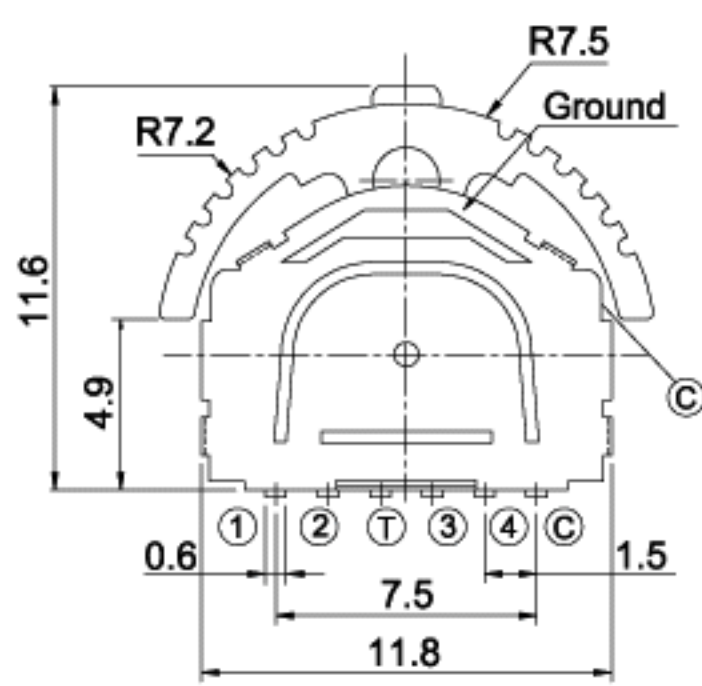
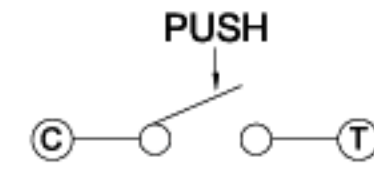




IL-1512ATD

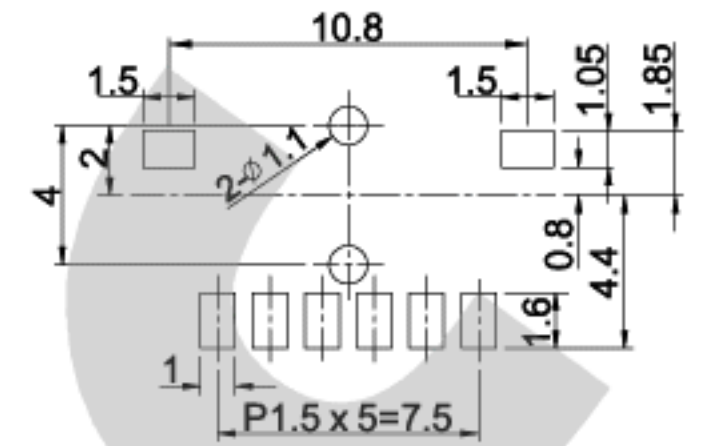


CIRCUIT DIAGRAM



Rating : 10mA 5V DC.
 Withstand voltage : 100V AC for 1 minute.
 Operating force : 70 ± 20g. (Lever portion)
 250 ± 60g. (Push portion)
 Life : 100,000 Cycles.

P.C.B. LAYOUT



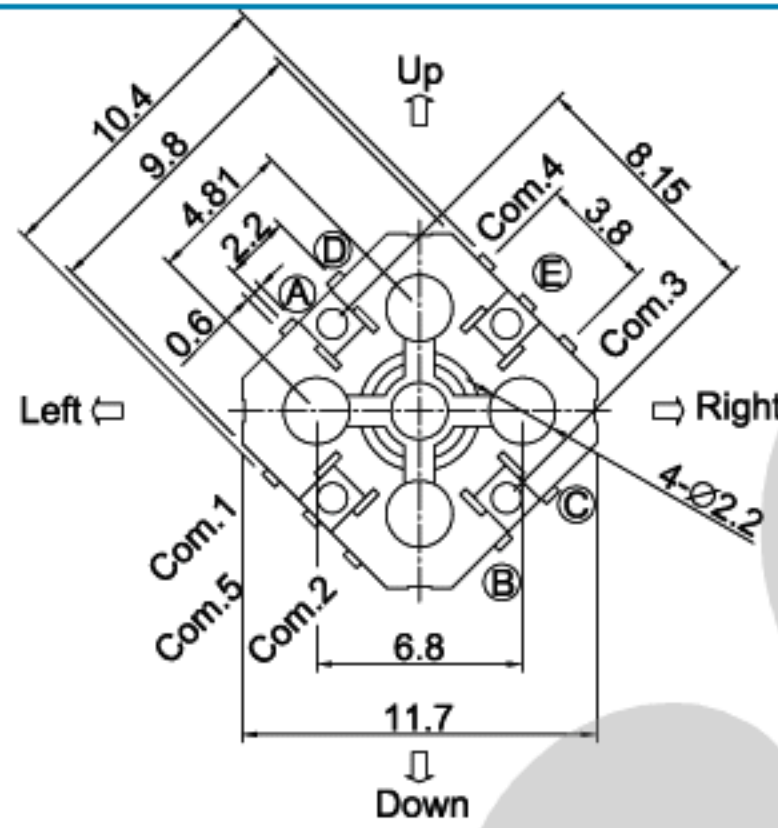
SMD 5-Way, Tact Switches

High-Density SMD

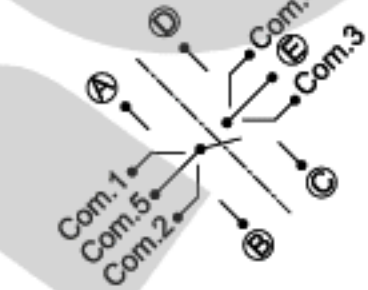
NEW



ITD-5204



CIRCUIT DIAGRAM



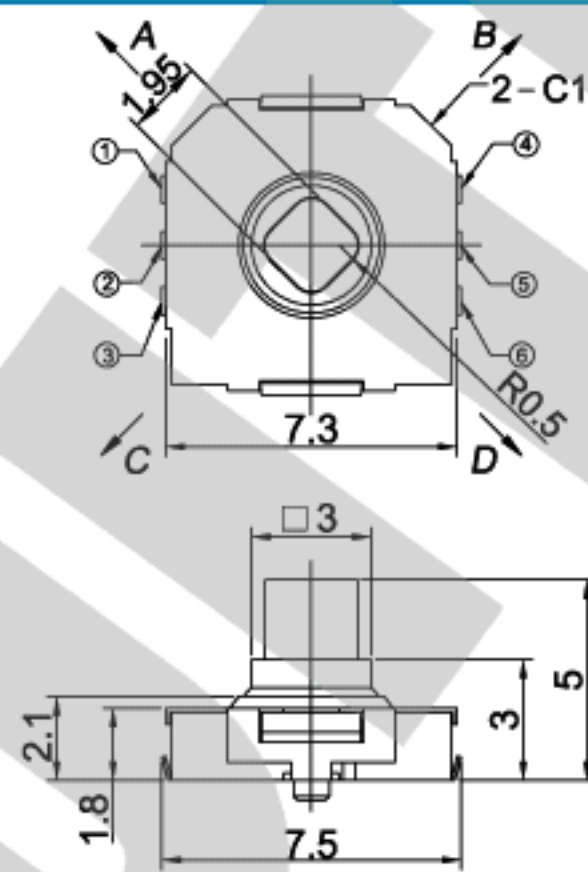
Rating : 20mA 15V DC.
 Travel : 0.2 ± 0.1mm.
 Contact resistance : 100mΩ Max.
 Operating force : 4-Directional : 250 ± 50g.
 Center push : 400 ± 50g.
 Life : 200,000 Cycles.



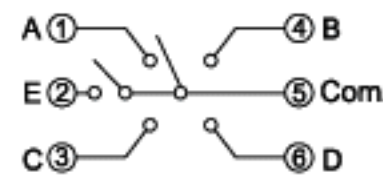
NEW



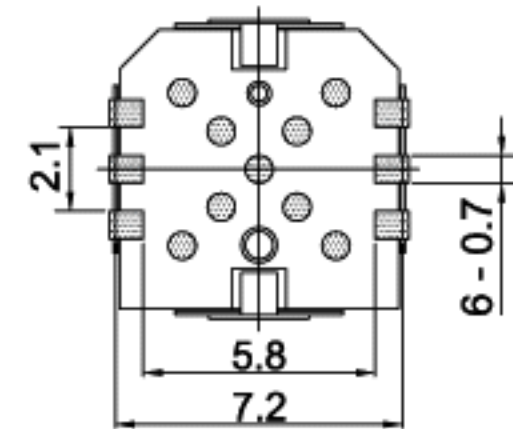
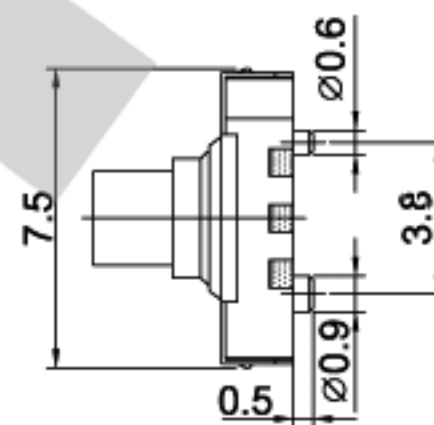
IT-1501



CIRCUIT DIAGRAM



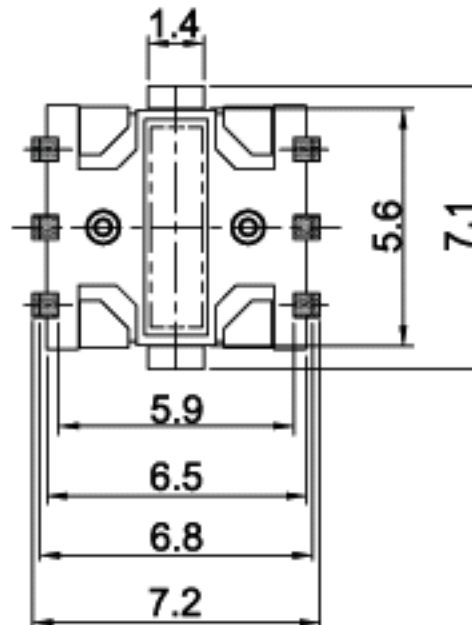
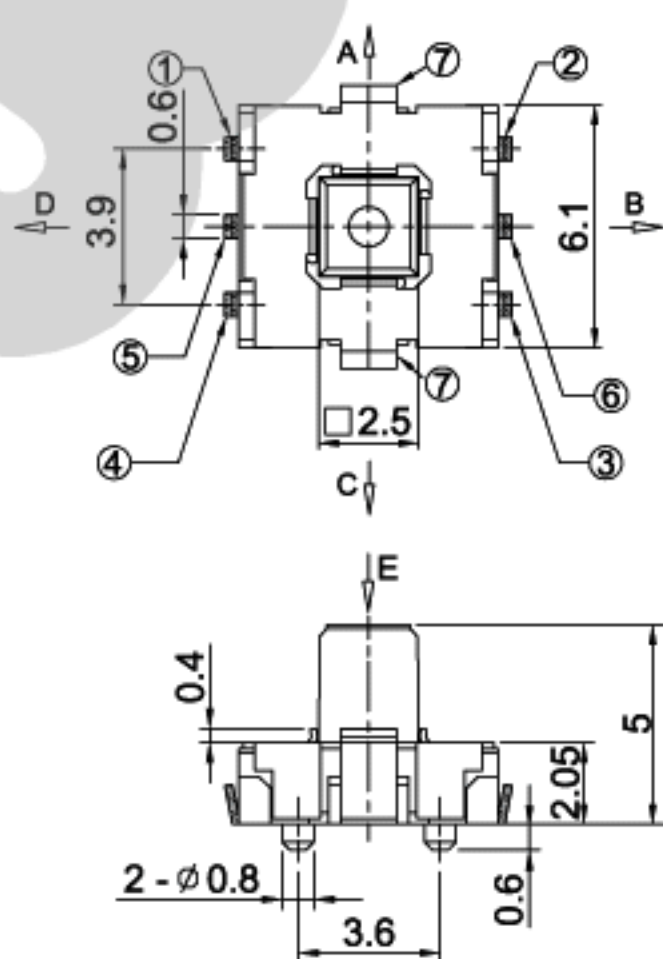
Rating : 50mA 12V DC Max.
 Travel : 4-Directional : 0.25mm.
 Center : 0.15mm.
 Contact resistance : 500mΩ Max.
 Operating force : 4-Directional : 130 ± 50g.
 Center : 240 ± 50g.
 Life : 200,000 Cycles.



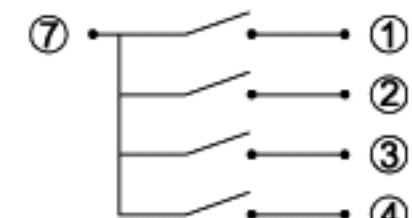
NEW



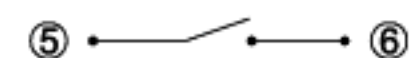
IT-1502



Leaning switch



Center switch



Rating : 20mA 15V DC Max.
 Travel : 0.15 ± 0.1mm.
 Leaning operation angle : 5 ± 3°.
 Contact resistance : 200mΩ Max.
 Operating force : 4-Directional : 150 ± 80g.
 Center : 280 ± 100g.
 Life : 300,000 Cycles. (On each direction)