

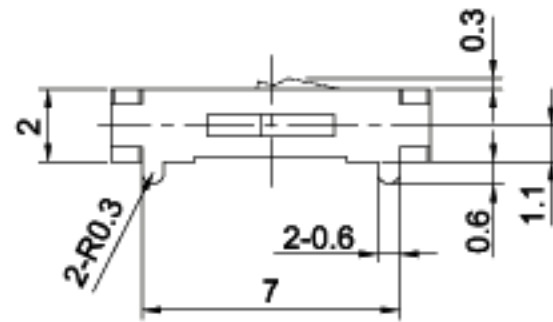
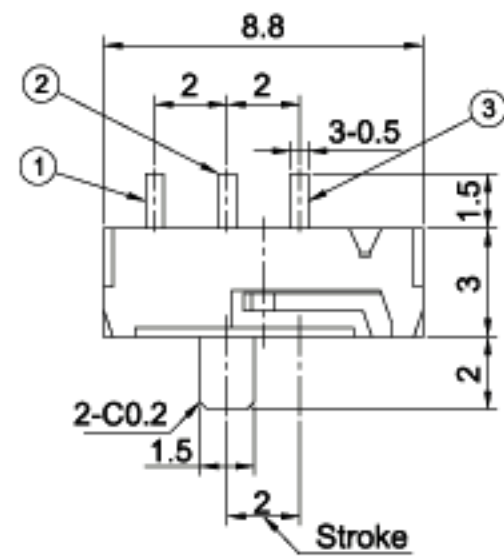
NEW

SMD

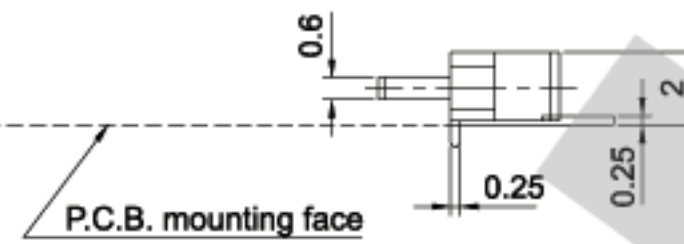
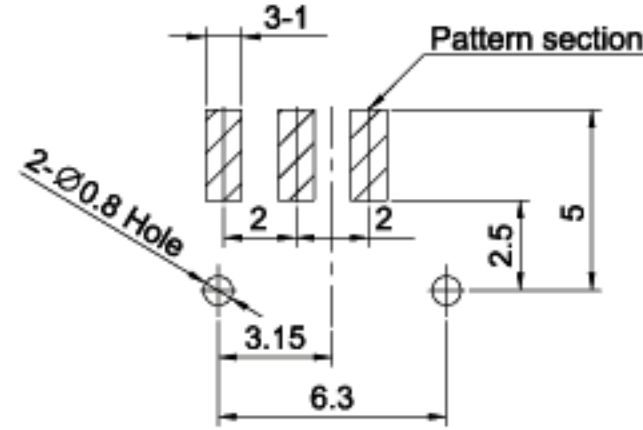


IS-1270

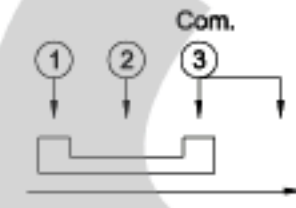
IS-1270N W/O Embossing
IS-1270R Momentary
IS-1270NH Dip Type



P.C.B. LAYOUT



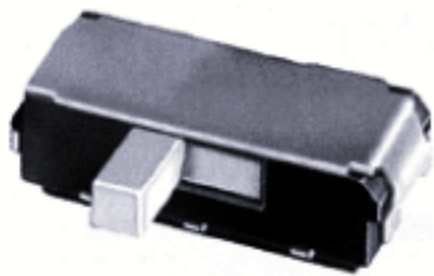
CIRCUIT DIAGRAM



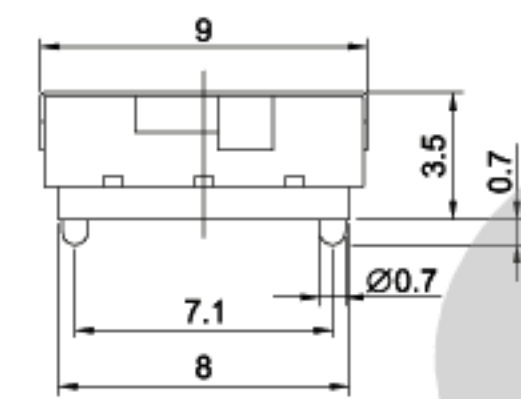
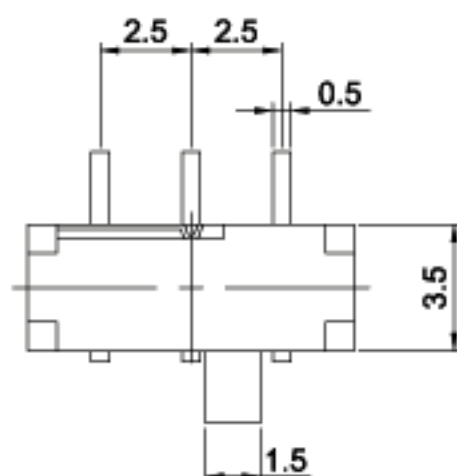
Rating : 0.3A 4V DC.
Circuit : SPDT.
Travel : 2mm.
Timing : Non-Shorting.
Operating force : 150 ± 100g.

NEW

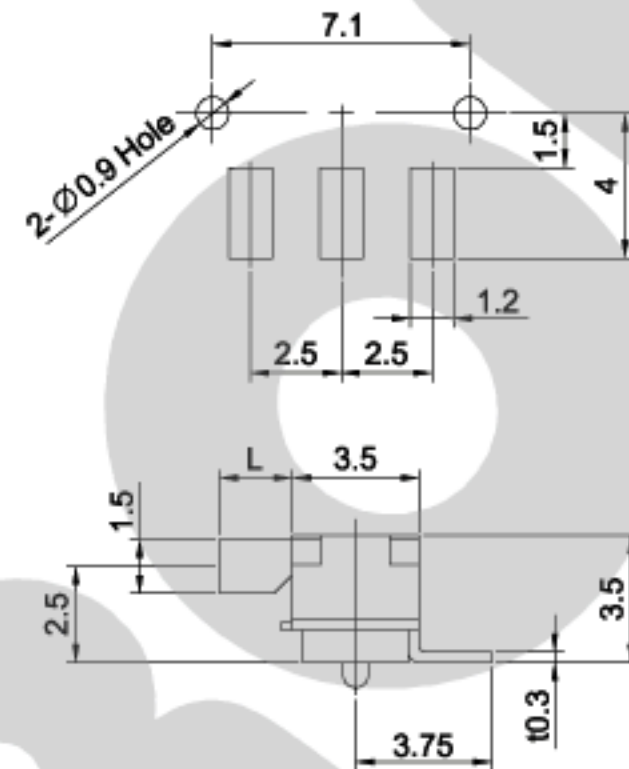
SMD



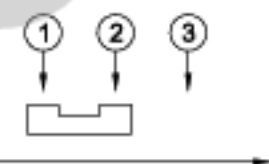
IS-1280



P.C.B. LAYOUT



CIRCUIT DIAGRAM

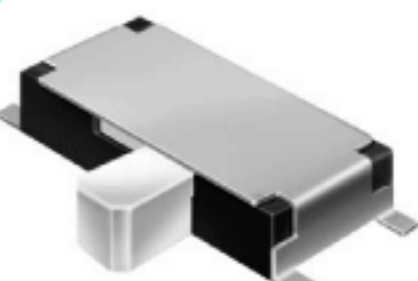


MODEL NO.	STEM (L)
IS-1280	2.0
IS-1280A	4.0

Rating : 0.3A 6V DC.
Circuit : SPDT.
Contact resistance : 70mΩ Max.
Operating force : 150 ± 100g.
Life : 10,000 Cycles.

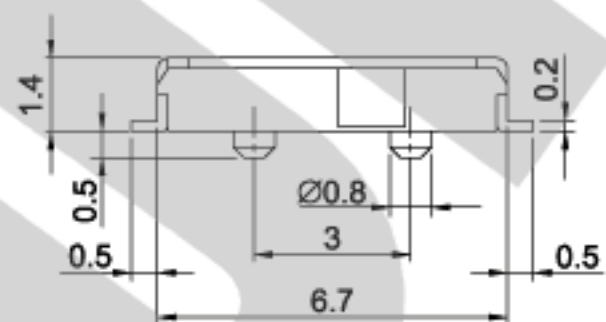
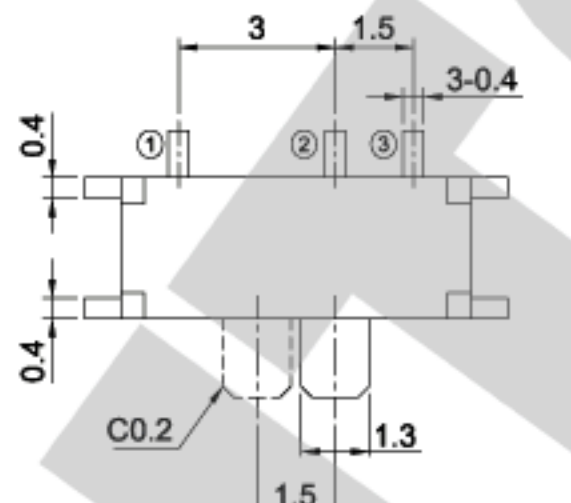
NEW

SMD

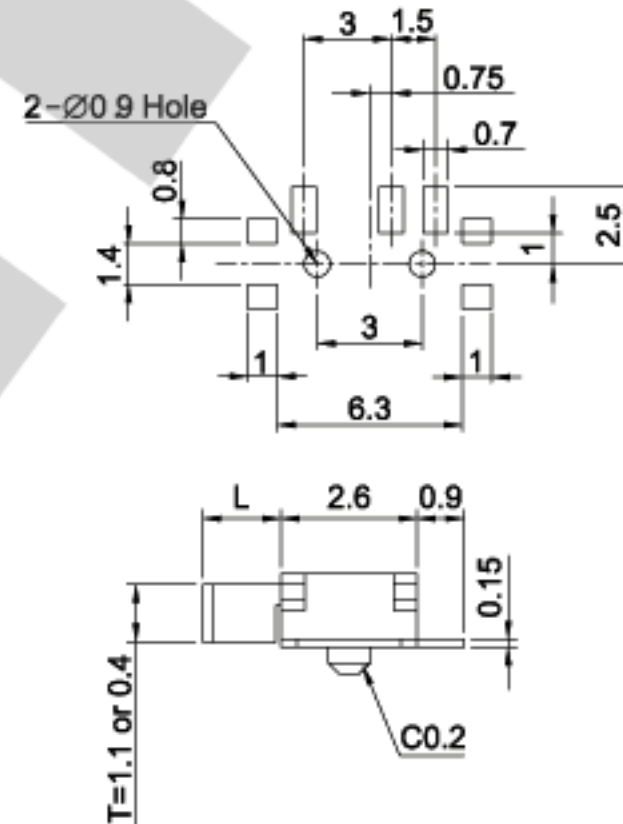


IS-1290A-W

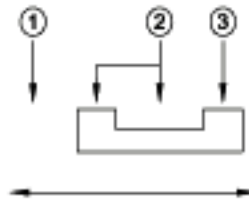
IS-1290B T=0.4mm
IS-1290A T=1.1mm



P.C.B. LAYOUT



CIRCUIT DIAGRAM

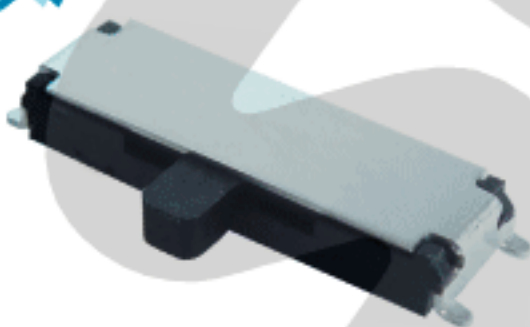


MODEL NO.	STEM (L)
IS-1290A, B	1.5
IS-1290A2, B2	2.3

Rating : 0.3A 4V DC.
Circuit : SPDT.
Contact resistance : 70mΩ Max.
Operating force : 150 ± 100g.
Life : 10,000 Cycles.

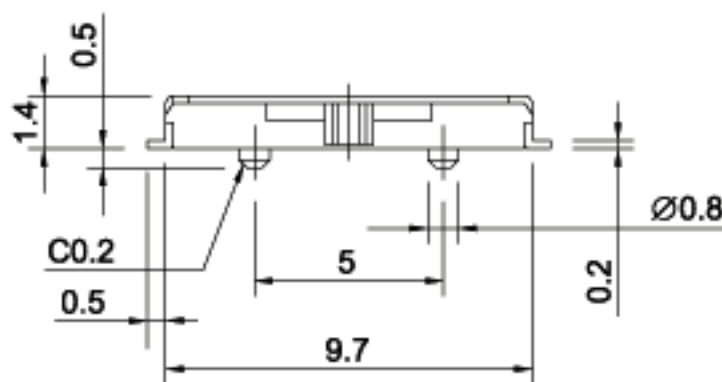
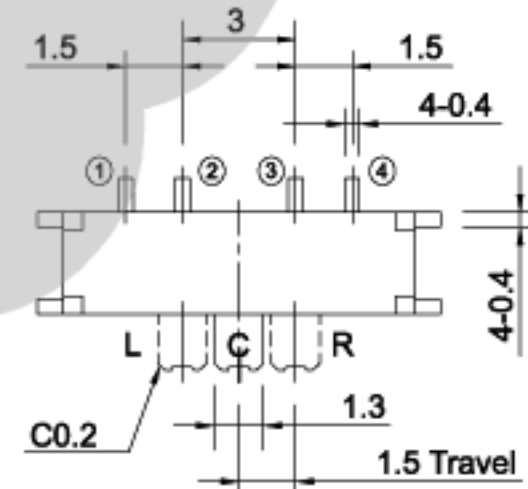
NEW

SMD

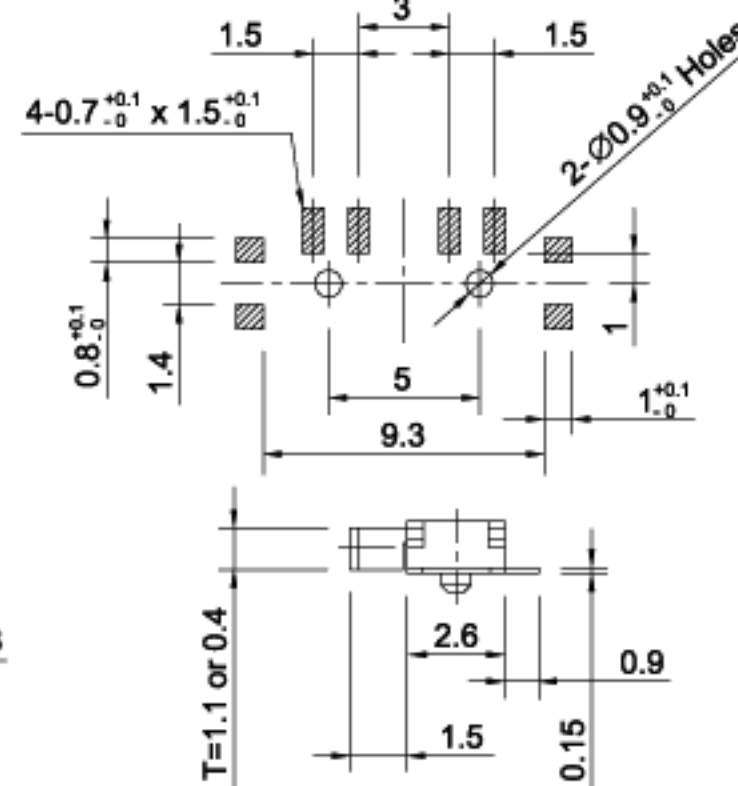


IS-1300A-B

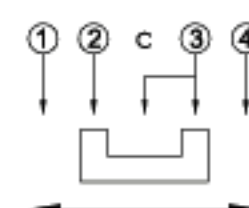
IS-1300B T=0.4mm
IS-1300A T=1.1mm



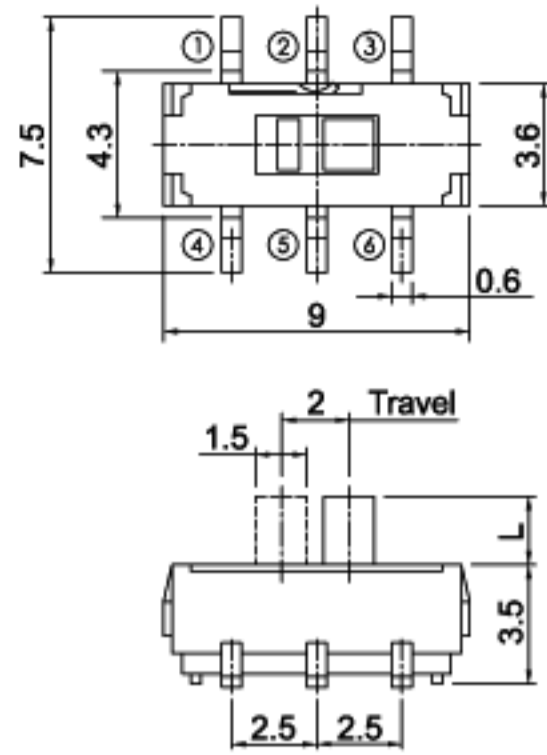
P.C.B. LAYOUT



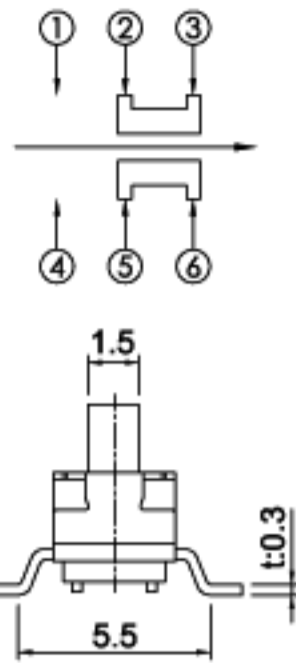
CIRCUIT DIAGRAM



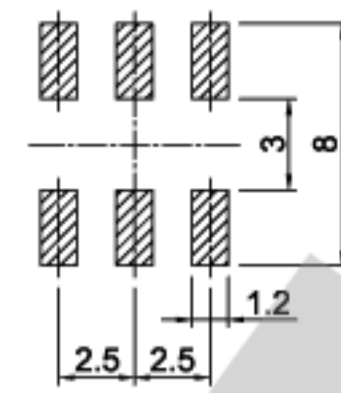
Rating : 0.3A 4V DC.
Circuit : 1P3T.
Contact resistance : 70mΩ Max.
Operating force :
C → L, C → R : 150 ± 100g.
L → C, R → C : 200 ± 150g.
Life : 10,000 Cycles.



CIRCUIT DIAGRAM



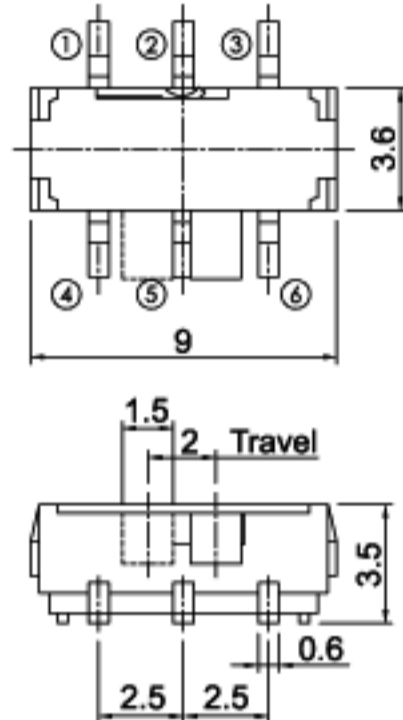
P.C.B. LAYOUT



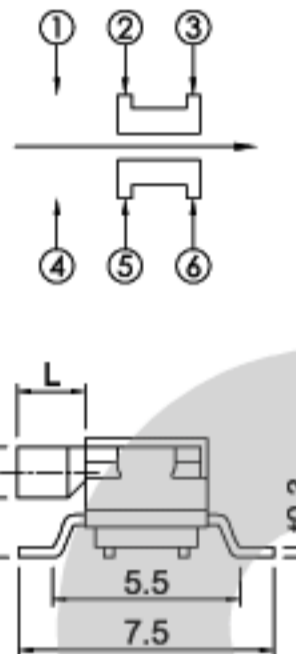
IS-2235SX

STEM (L)	
□	2.0
A	4.0

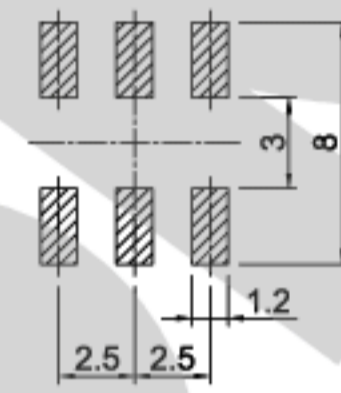
Rating : 0.3A 6V DC.
Circuit : DPDT.
Travel : 2±0.3mm.
Operating force : 250±120g.
Life : 10,000 Cycles.



CIRCUIT DIAGRAM



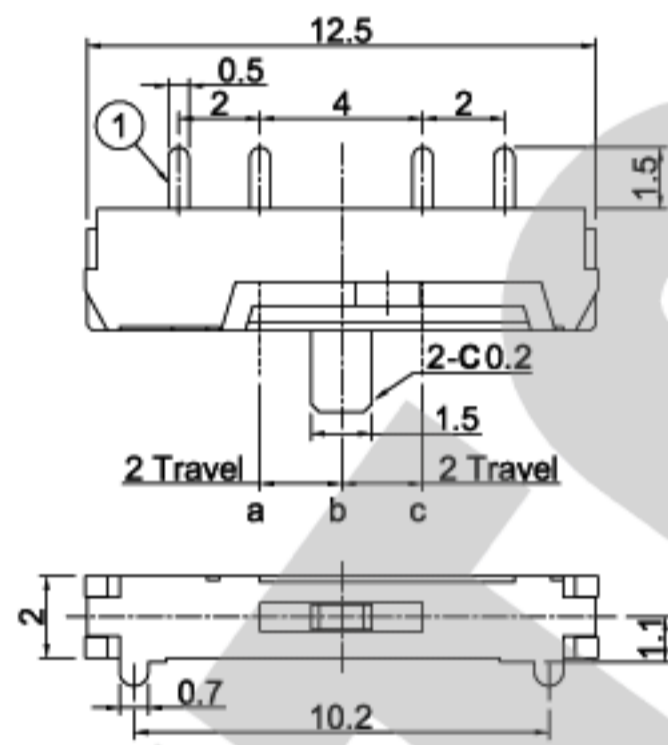
P.C.B. LAYOUT



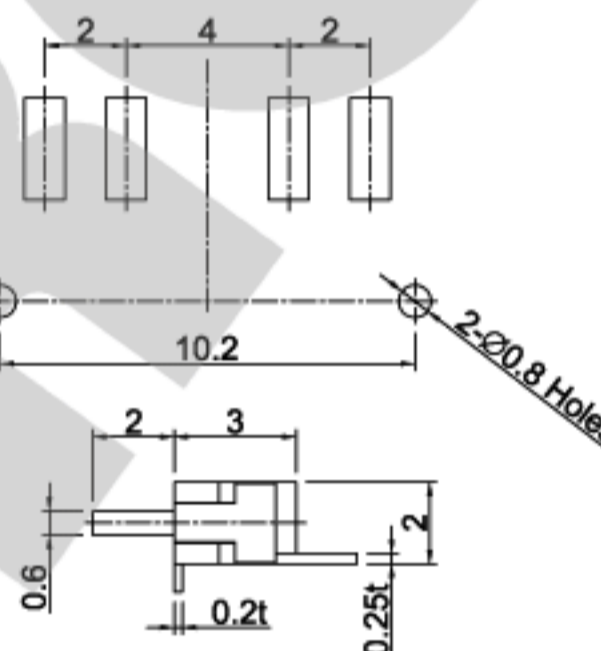
IS-2245SX

STEM (L)	
□	2.0
A	4.0

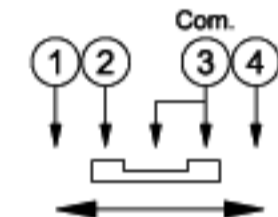
Rating : 0.3A 6V DC.
Circuit : DPDT.
Travel : 2±0.3mm.
Operating force : 250±120g.
Life : 10,000 Cycles.



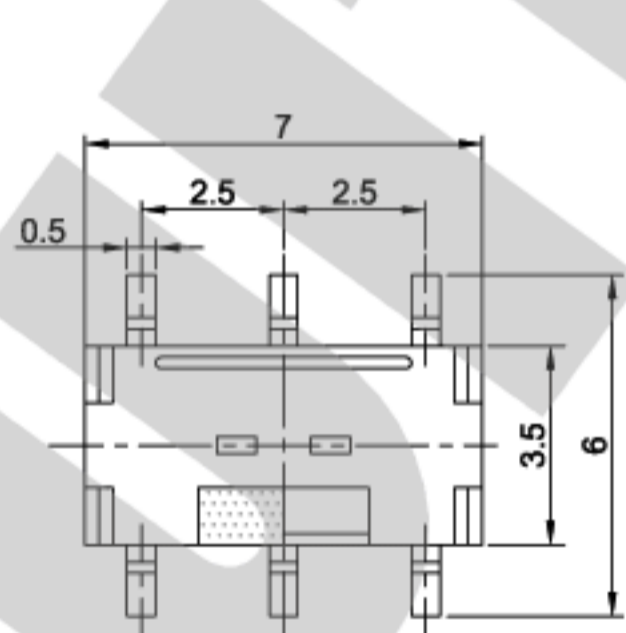
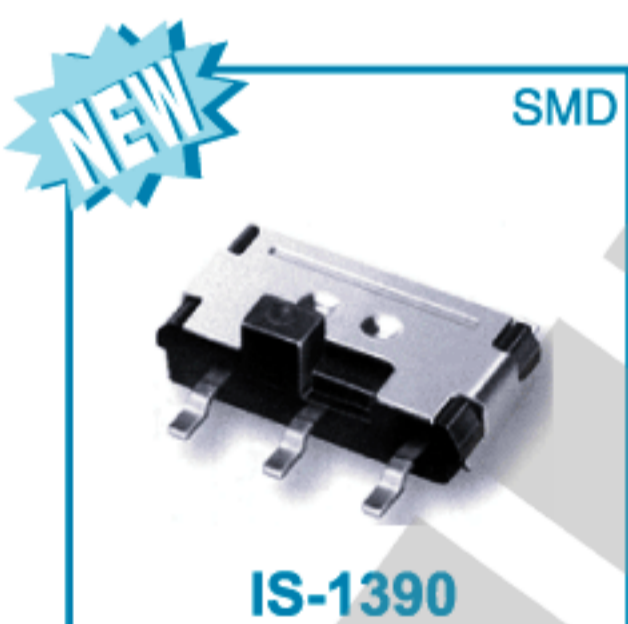
P.C.B. LAYOUT



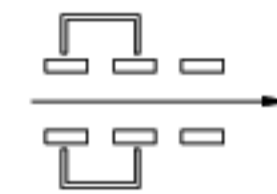
CIRCUIT DIAGRAM



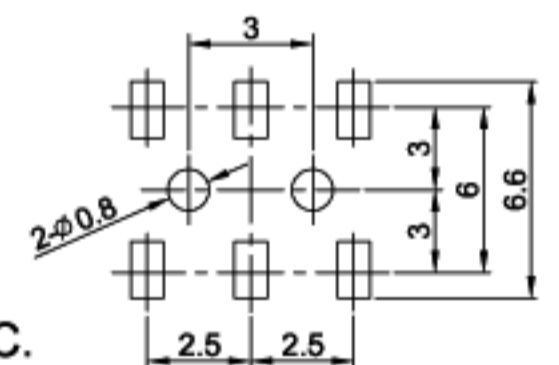
Rating : 0.3A 4V DC.
Circuit : 1P3T.
Travel : 2±0.1mm.
Timing : Non-Shorting.
Operating force : b → c : 230 ±100g.
c → b : 200 ±100g.
b → a : 200⁺⁵⁰/₋₁₀₀g.
Life : 10,000 Cycles.



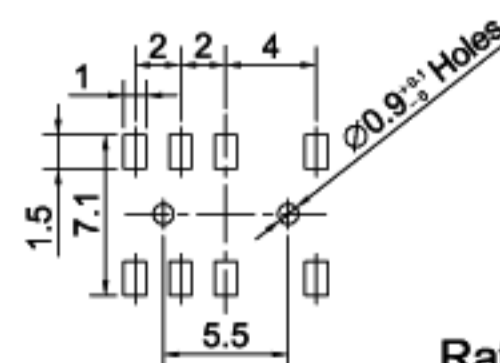
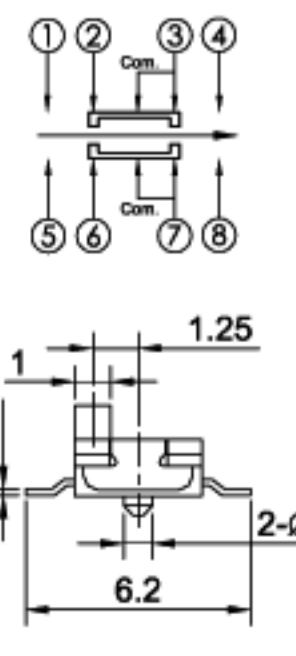
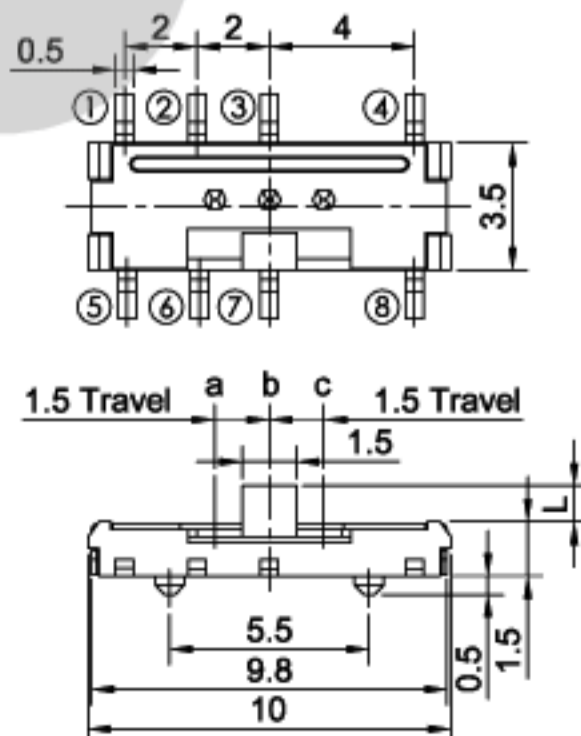
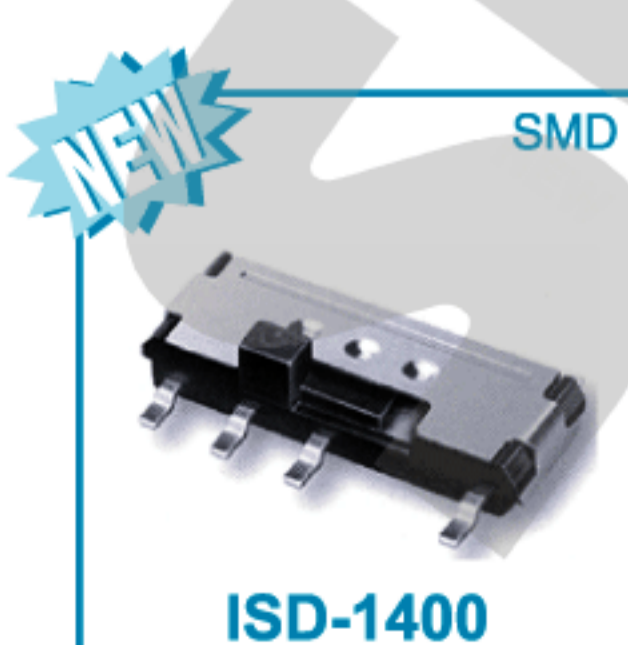
CIRCUIT DIAGRAM



P.C.B. LAYOUT



Rating : 0.3A 4V DC.
Circuit : DPDT.
Travel : 1.5mm.
Timing : Non-Shorting.
Operating force : 200 ±150g.
Life : 10,000 Cycles.



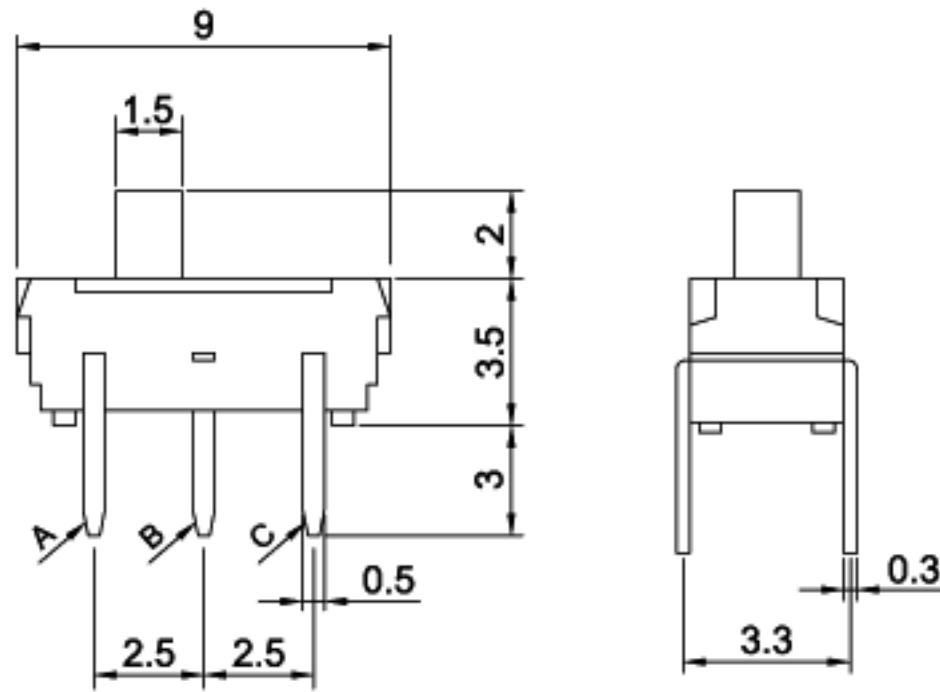
ISD-1400X

STEM (L)	
□	1.0
A	2.5

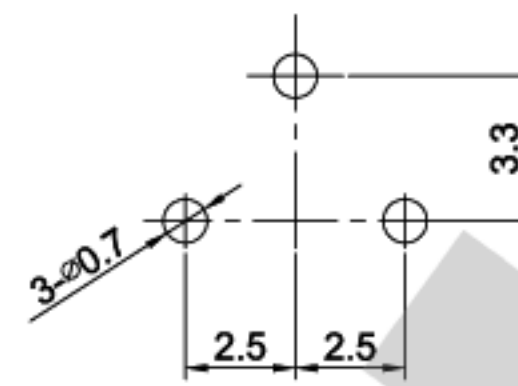
Rating : 0.3A 4V DC.
Circuit : 2P3T.
Travel : 1.5mm.
Timing : Non-Shorting.
Operating force : 200 ±150g.
Life : 10,000 Cycles.



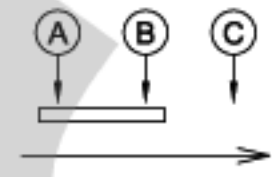
IS-1235



P.C.B. LAYOUT



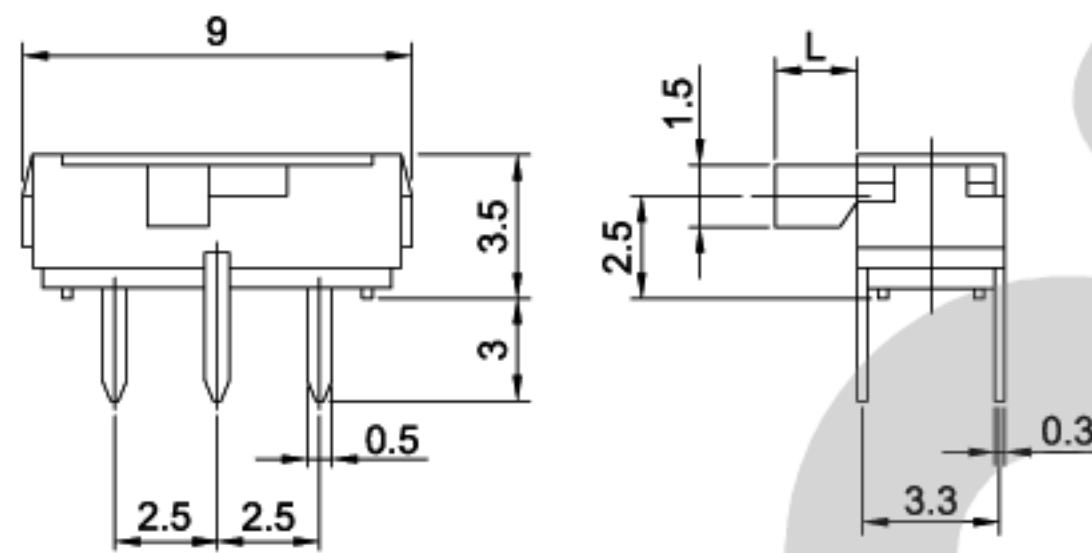
CIRCUIT DIAGRAM



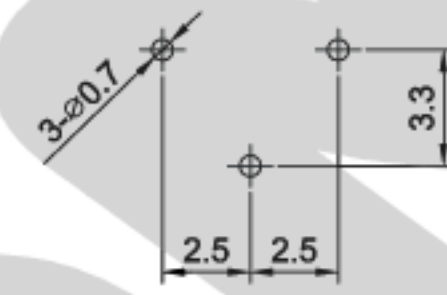
Rating : 0.3A 6V DC.
Circuit : SPDT.
Travel : 2mm.
Timing : Non-Shorting.
Operating force : 200±100g.



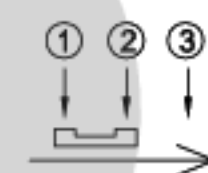
IS-1245T



P.C.B. LAYOUT

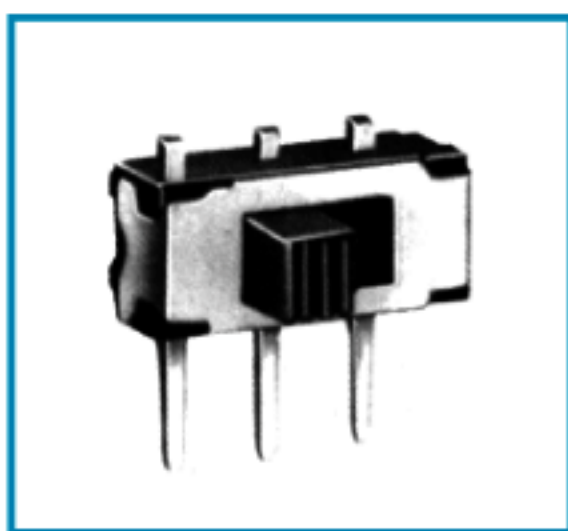


CIRCUIT DIAGRAM

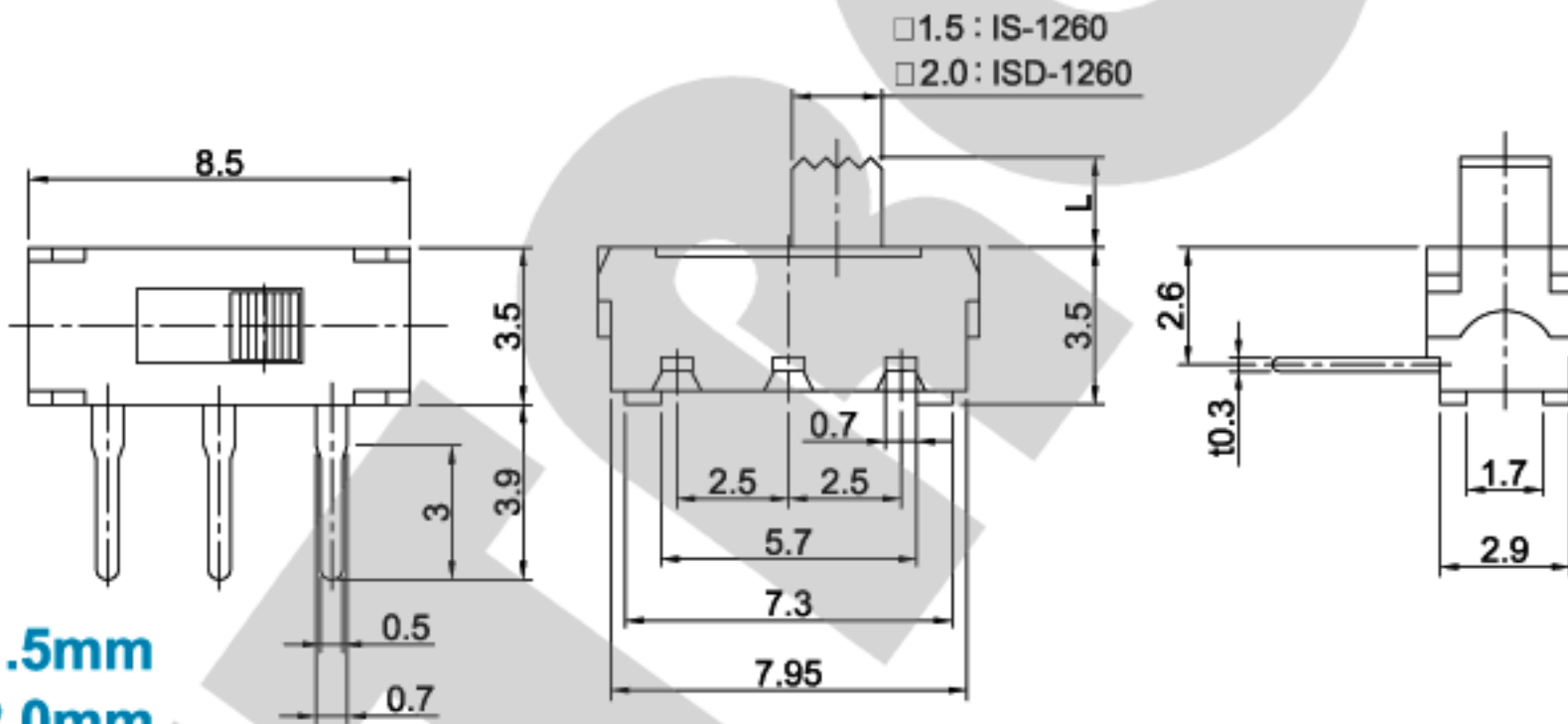


MODEL NO.	STEM (L)
IS-1245T	2.0
IS-1245TA	4.0

Rating : 0.3A 6V DC.
Circuit : SPDT.
Travel : 2mm.
Timing : Non-Shorting.
Operating force : 200±100g.



IS-1260 Knob : □1.5mm
ISD-1260 Knob : □2.0mm

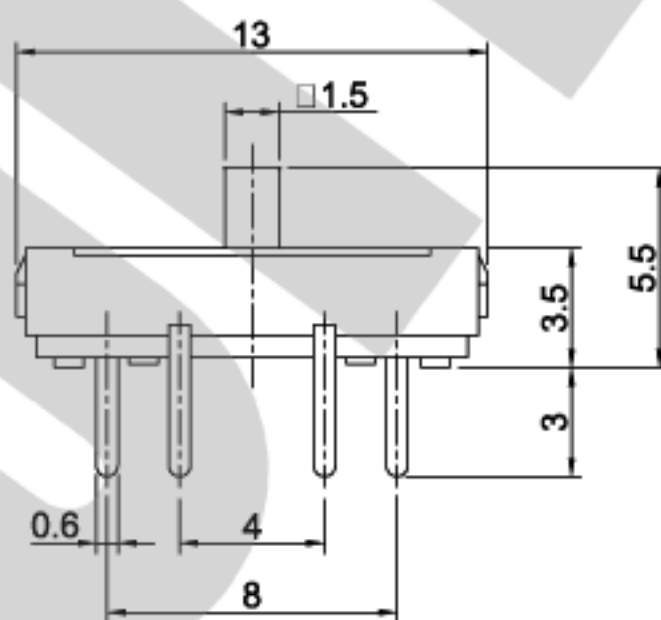


MODEL NO.	STEM (L)
IS, ISD-1260	2.0
ISD-1260A	3.0
IS-1260B	4.0
IS, ISD-1260C	4.4

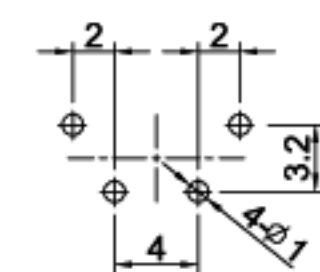
Rating : 0.3A 6V DC.
Circuit : SPDT.
Travel : 2mm.
Timing : Non-Shorting.
Operating force : 200±100g.



ISR-1336



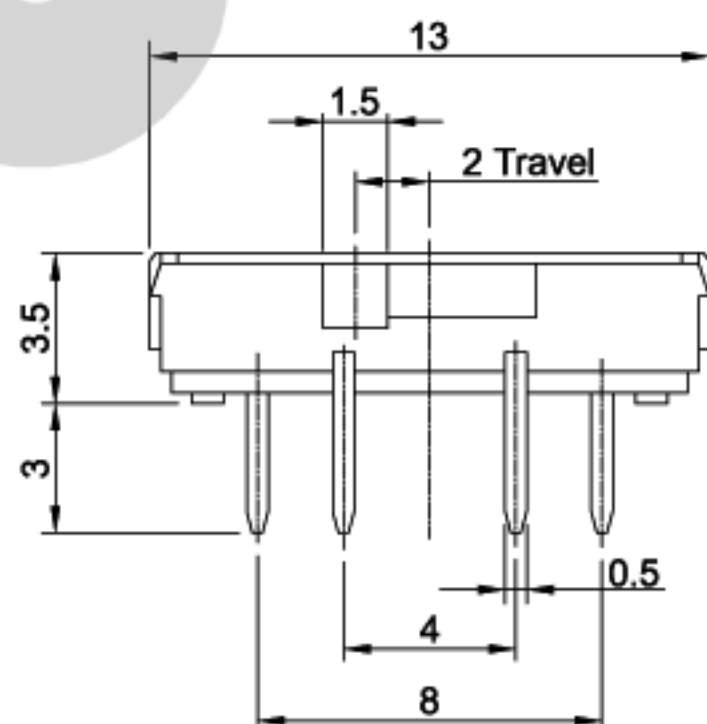
P.C.B. LAYOUT



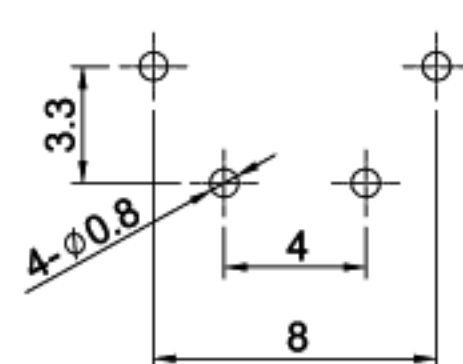
Rating : 0.3A 6V DC.
Circuit : 1P3T.
Travel : 2+2mm.
Timing : Non-Shorting.
Operating force :
L→C←R : 250±100g.
L←C→R : 300±150g.



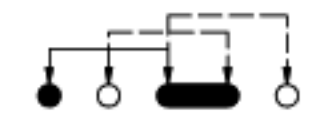
ISR-1346



P.C.B. LAYOUT



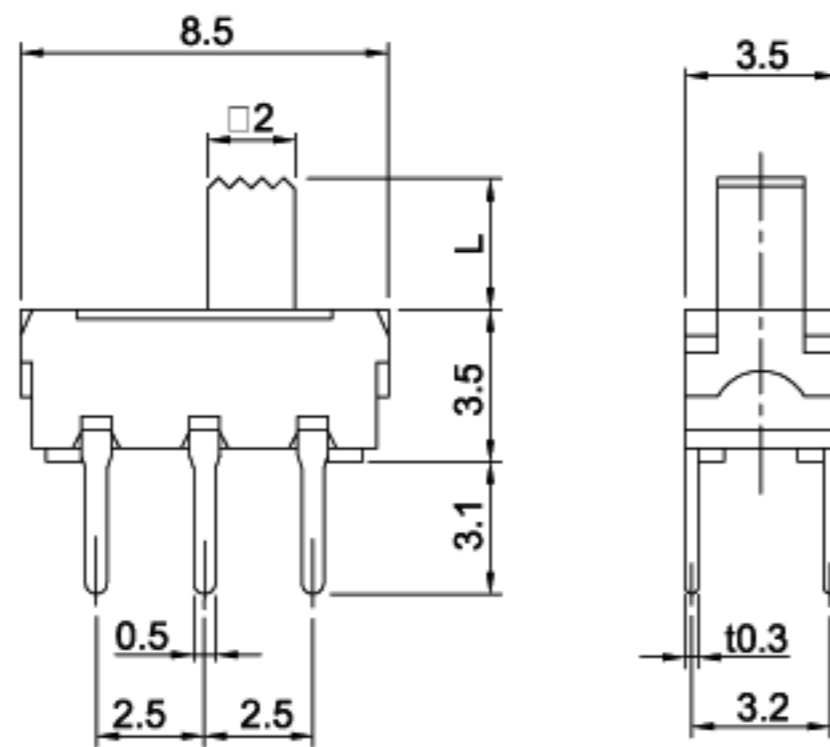
SCHEMATIC



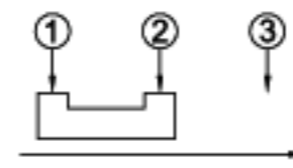
Rating : 0.3A 6V DC.
Circuit : 1P3T.
Travel : 2+2mm.
Timing : Non-Shorting.
Operating force :
L→C←R : 250±100g.
L←C→R : 300±150g.



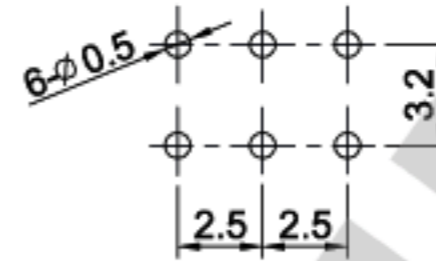
IS-1250



CIRCUIT DIAGRAM



P.C.B. LAYOUT

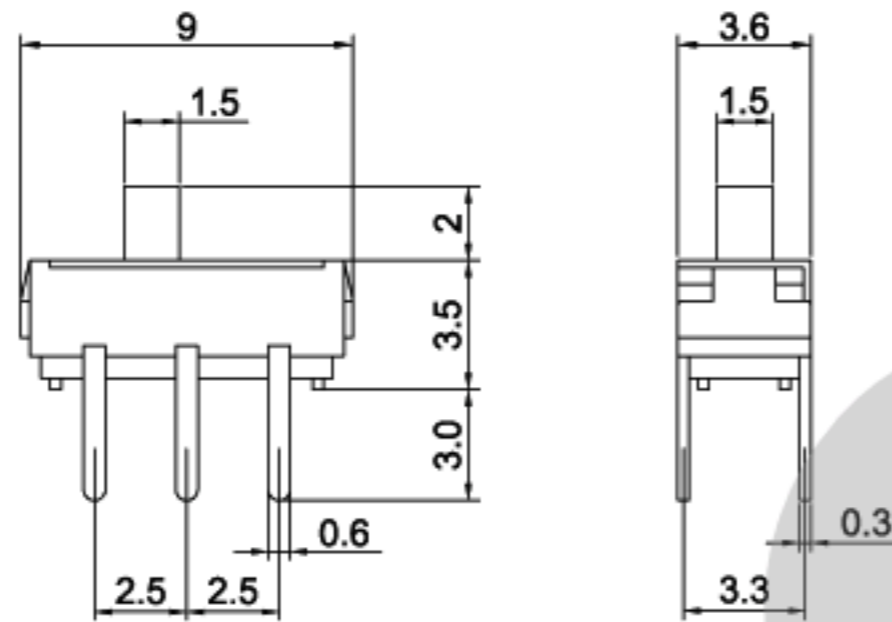


MODEL NO.	STEM (L)
IS-1250	2.0
IS-1250A	4.4

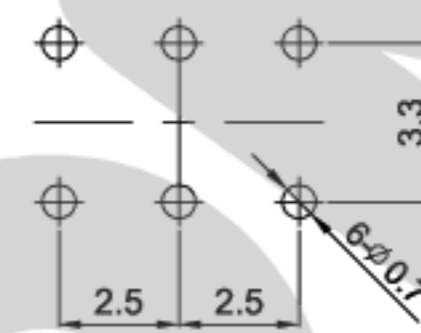
Rating : 0.3A 6V DC.
Circuit : SPDT.
Travel : 2mm.
Timing : Non-Shorting.
Operating force : 200±100g.



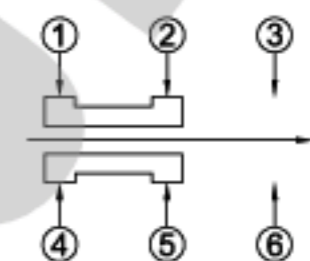
IS-2235



P.C.B. LAYOUT



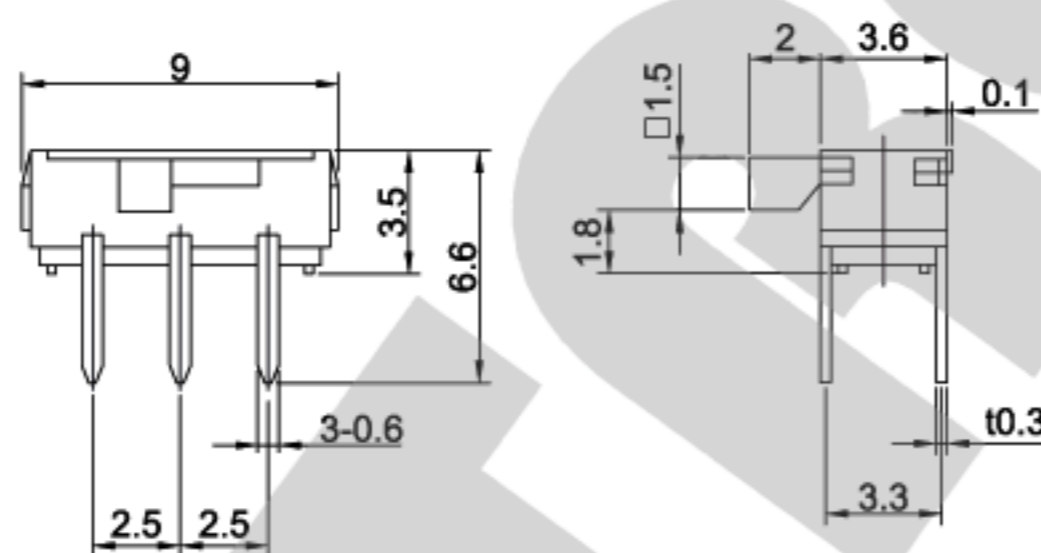
CIRCUIT DIAGRAM



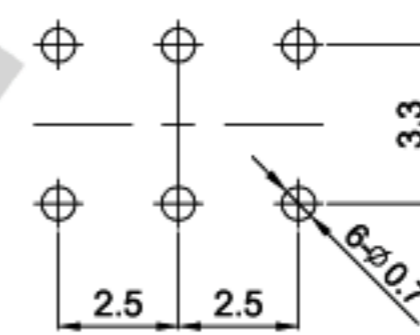
Rating : 0.3A 6V DC.
Circuit : DPDT.
Travel : 2mm.
Timing : Non-Shorting.
Operating force : 200±100g.



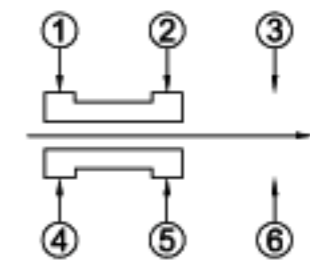
IS-2245



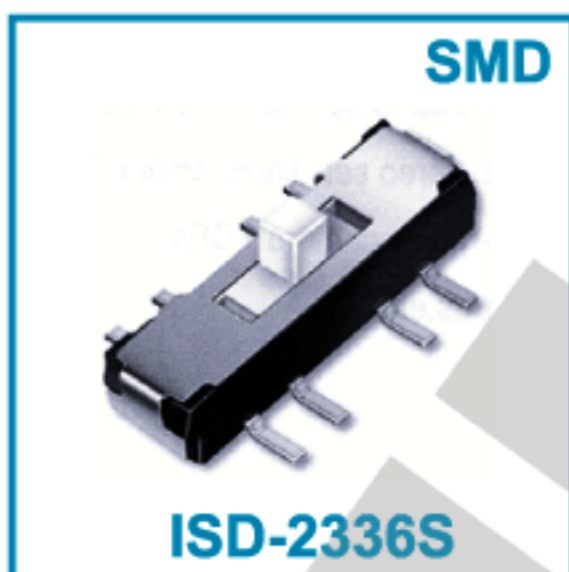
P.C.B. LAYOUT



CIRCUIT DIAGRAM

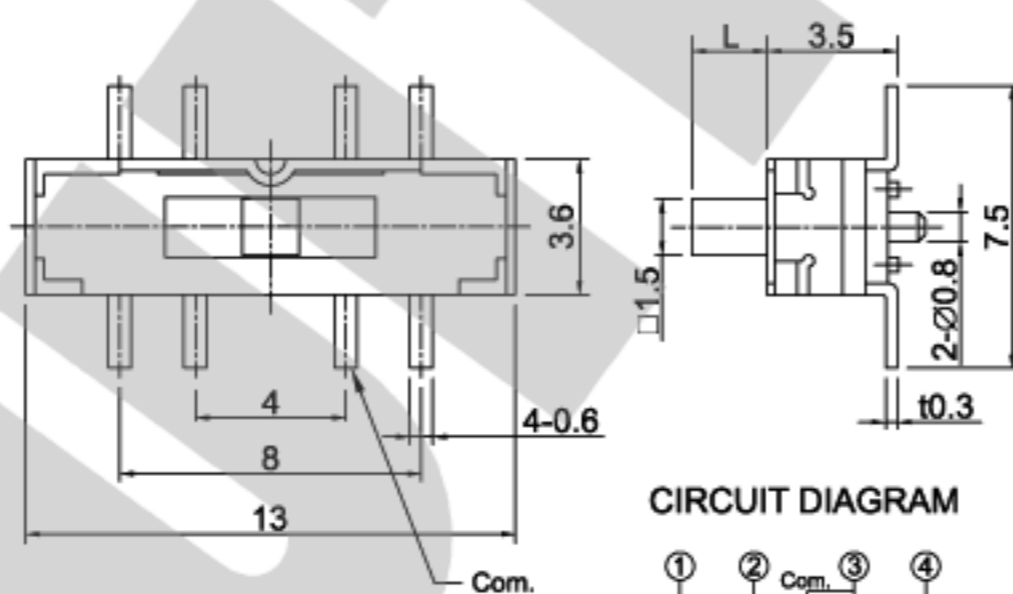


Rating : 0.3A 6V DC.
Circuit : DPDT.
Travel : 2mm.
Timing : Non-Shorting.
Operating force : 200±100g.

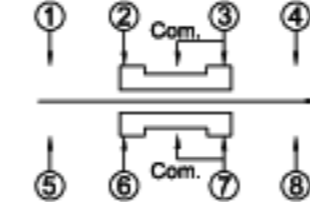


SMD

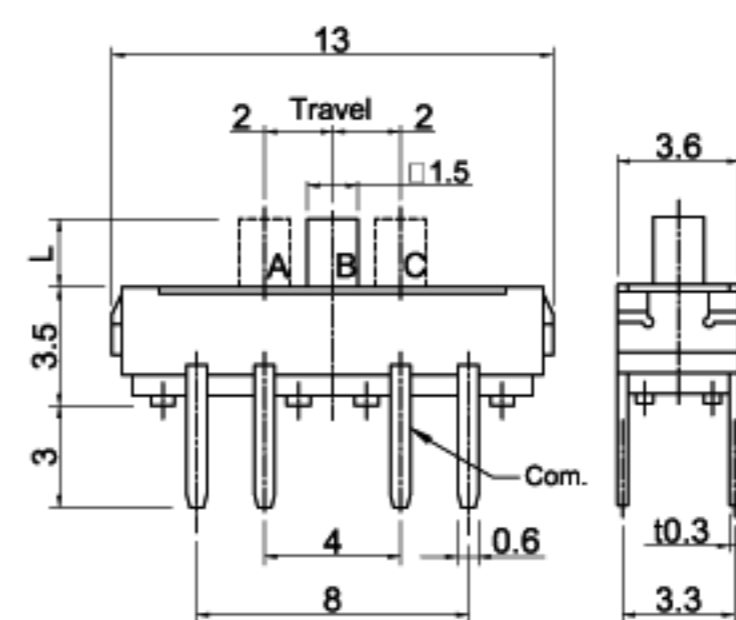
ISD-2336S



CIRCUIT DIAGRAM

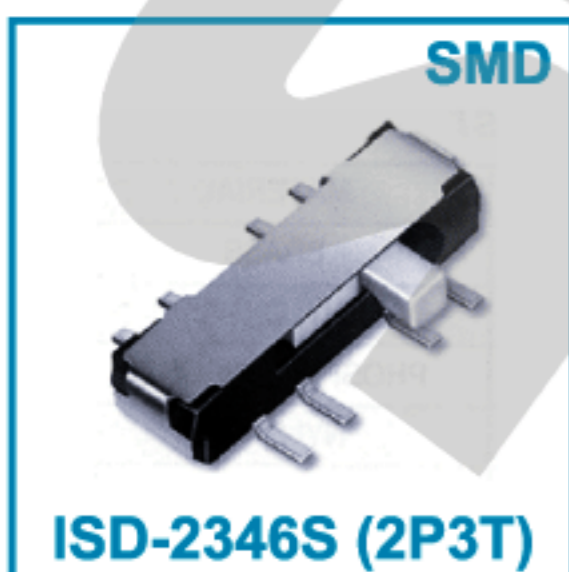


ISD-2336 (Dip type)



MODEL NO.	STEM (L)
ISD-2336A ,SA	2.0
ISD-2336B ,SB	4.0

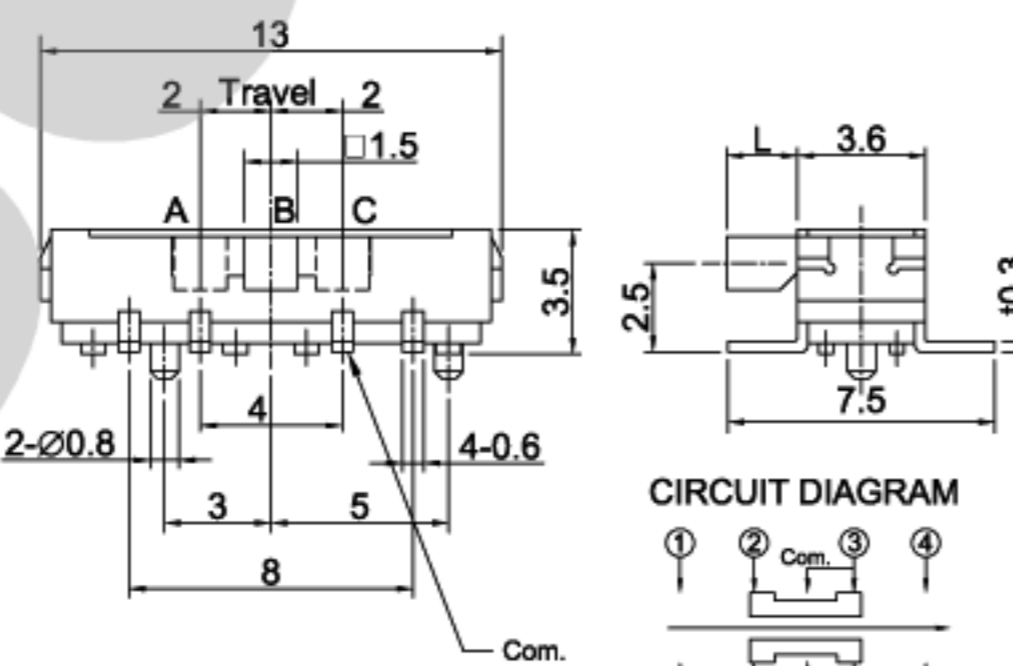
Rating : 0.3A 6V DC.
Circuit : 2P3T.
Travel : 2+2mm.
Timing : Non-Shorting.
Operating force :
A → B ← C : 250 ± 100g.
A ← B → C : 300 ± 150g.



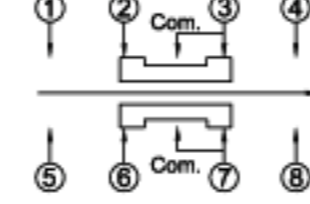
SMD

ISD-2346S (2P3T)

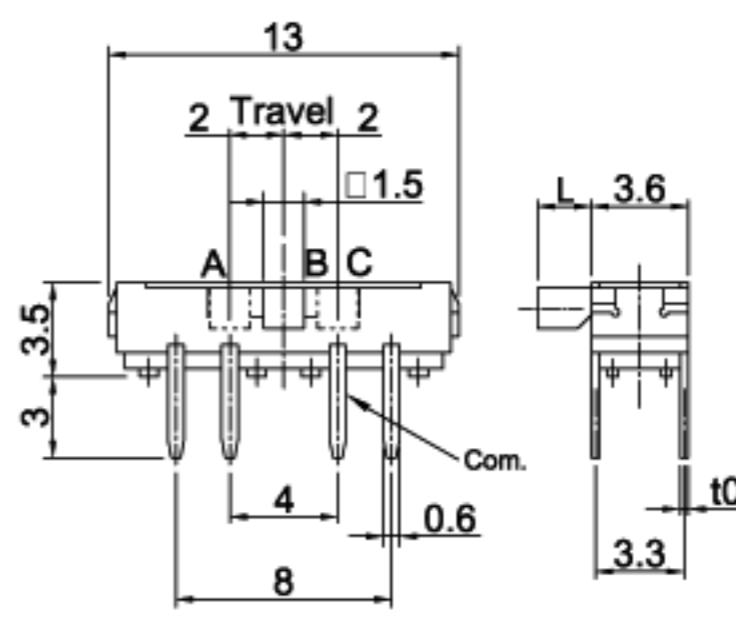
ISD-1380S (1P3T) Single pole



CIRCUIT DIAGRAM



ISD-2346 (Dip type)



MODEL NO.	STEM (L)
ISD-2346A ,SA	2.0
ISD-2346B ,SB	4.7

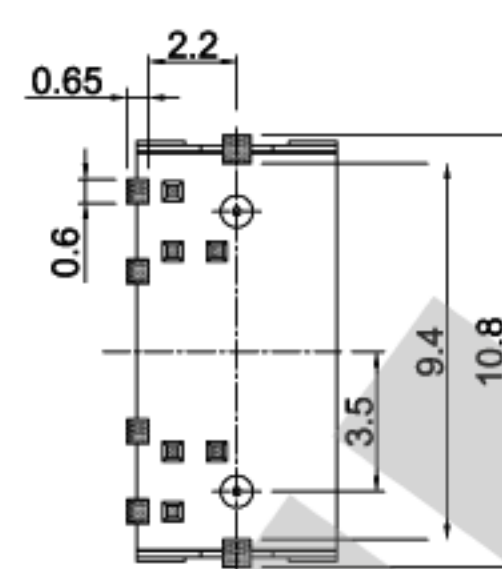
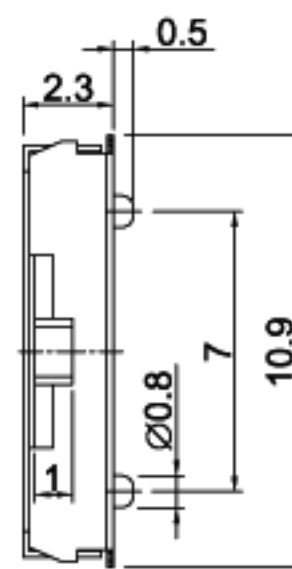
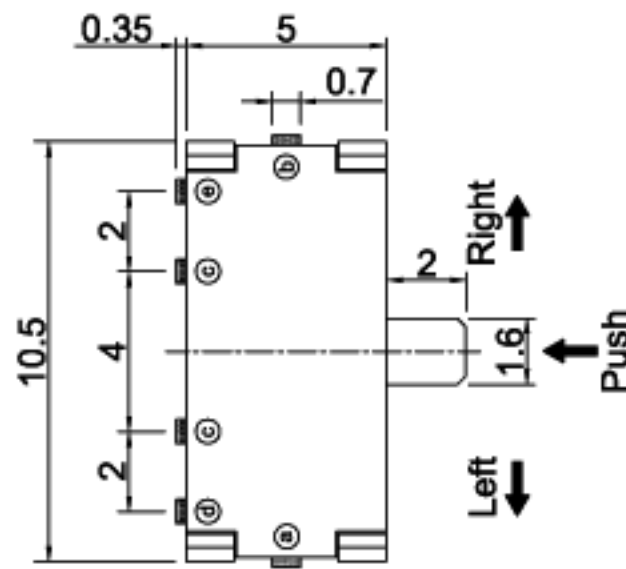
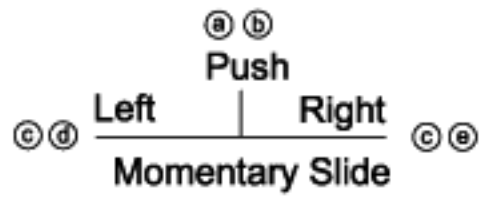
Rating : 0.3A 6V DC.
Circuit : 2P3T.
Travel : 2+2mm.
Timing : Non-Shorting.
Operating force :
A → B ← C : 250 ± 100g.
A ← B → C : 300 ± 150g.

NEW

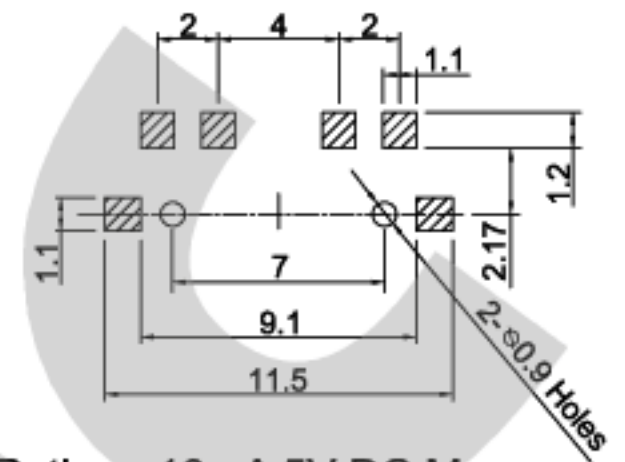


IS-2270

CIRCUIT DIAGRAM



P.C.B. LAYOUT



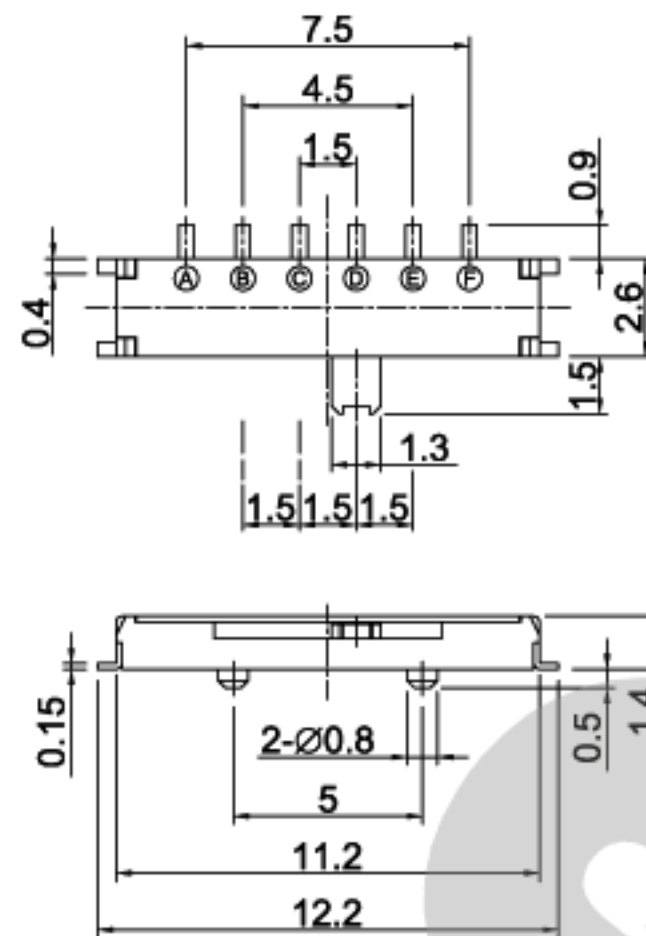
Rating : 10mA 5V DC Max.
 Travel : Push : 0.8mm (full).
 Slide : 1.5mm.
 Contact resistance : 100mΩ Max.
 Operating force : Push : 370 ± 100g.
 Slide : 140 ± 100g.
 Life : 50,000 Cycles.

NEW

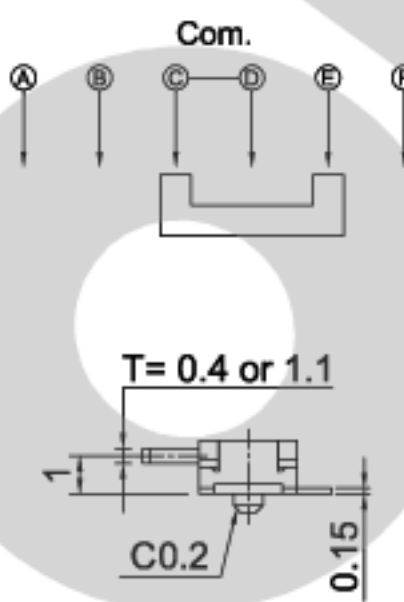


IS-1500

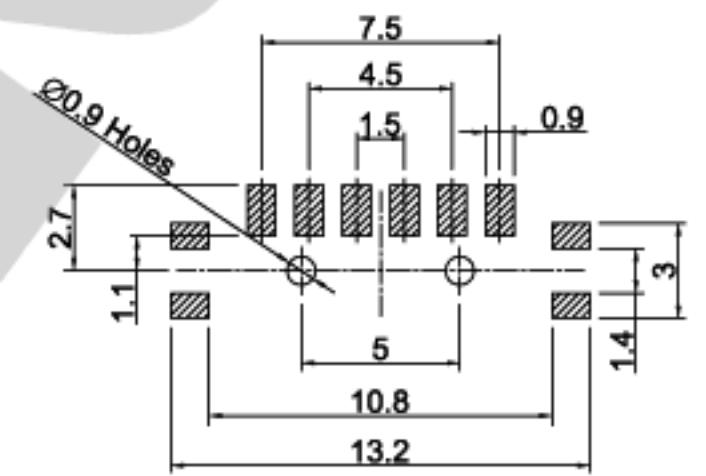
IS-1500BP T=0.4mm
 IS-1500AP T=1.1mm



CIRCUIT DIAGRAM



P.C.B. LAYOUT

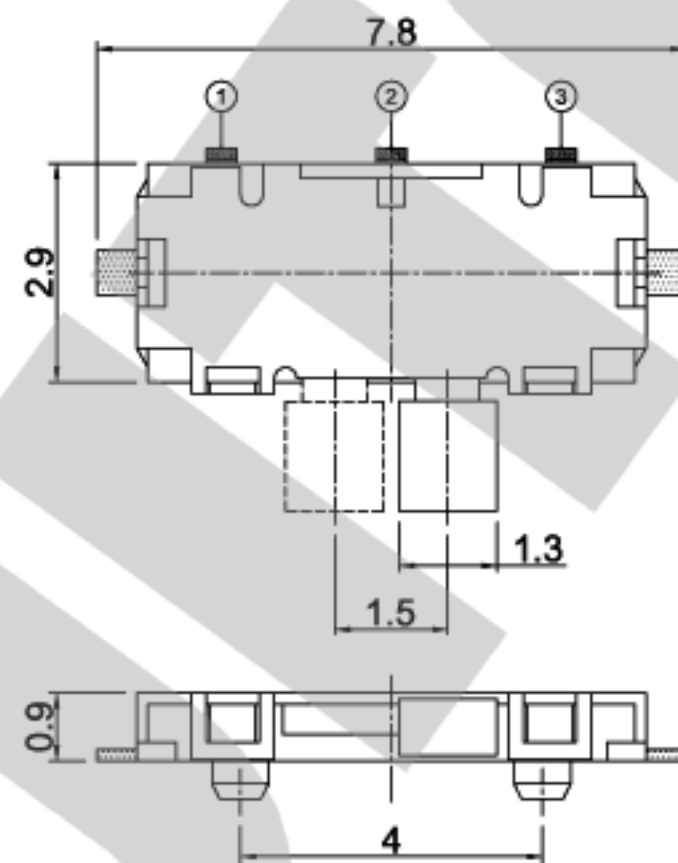


Rating : 300mA 4V DC Max.
 Travel : 1.5 ± 0.2mm.
 Contact resistance : 100mΩ Max.
 Operating force : Side → Center : 150 ± 100g.
 Center → Side : 200 ± 150g.
 Life : 10,000 Cycles.

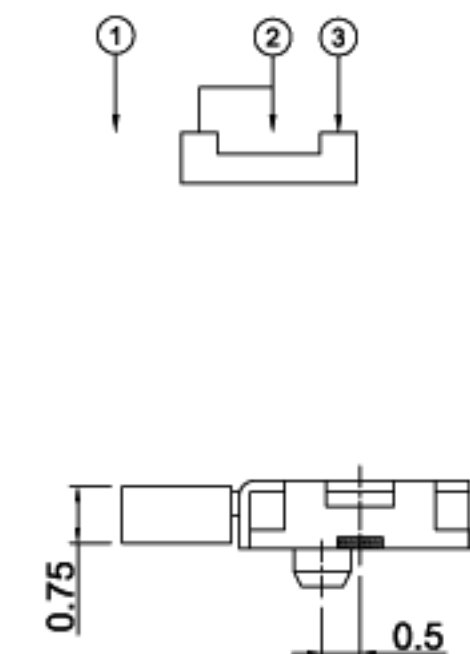
NEW



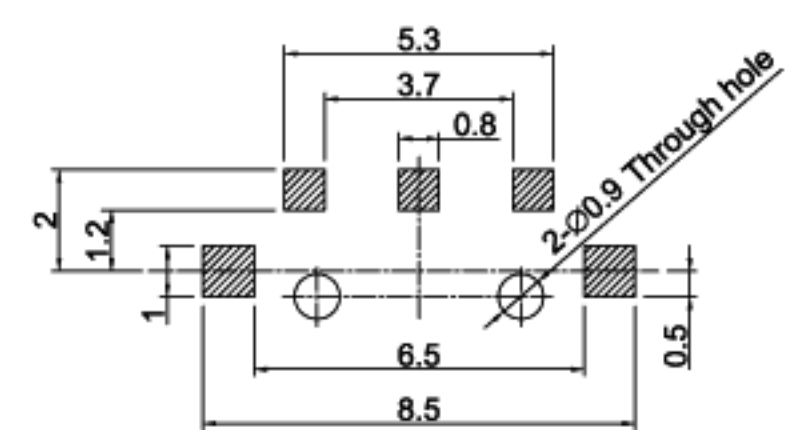
IS-1210



CIRCUIT DIAGRAM

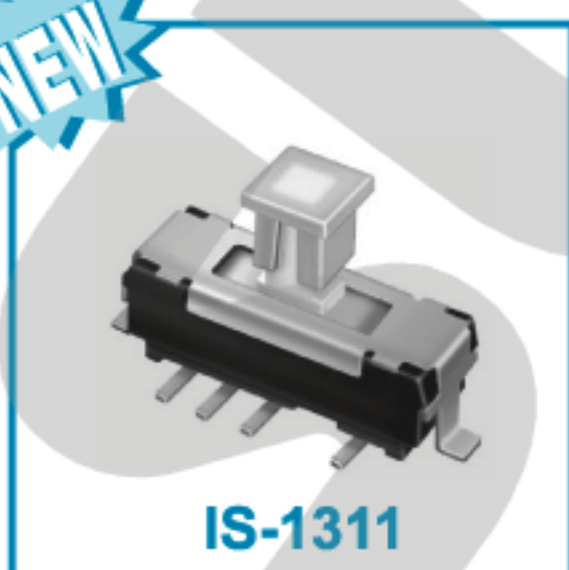


P.C.B. LAYOUT

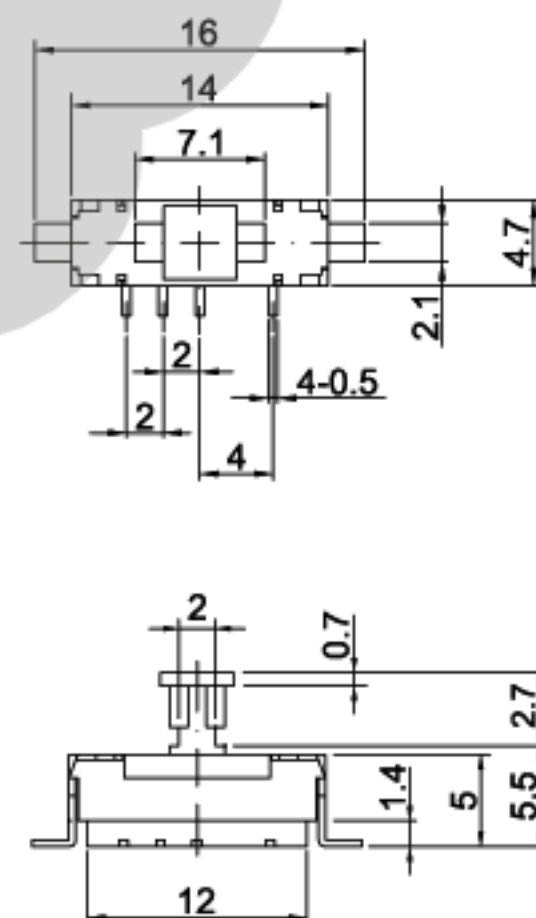


Rating : 10mA 5V DC.
 Travel : 1.5 ± 0.3mm.
 Contact resistance : 100mΩ Max.
 Operating force : 100 ± 50g.
 Life : 10,000 Cycles.

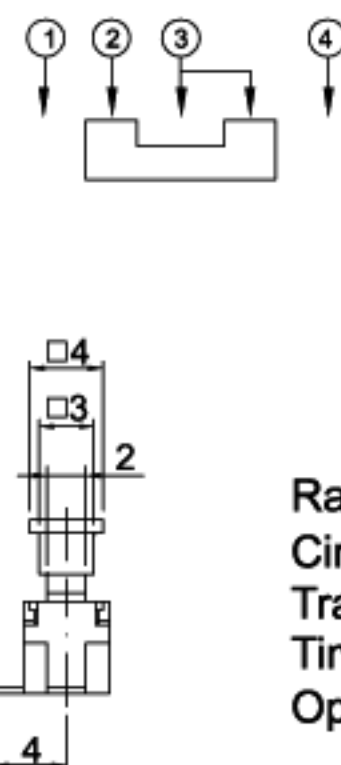
NEW



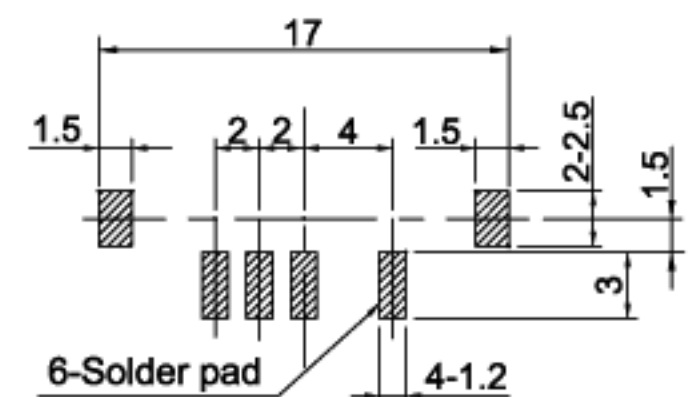
IS-1311



CIRCUIT DIAGRAM



P.C.B. LAYOUT



Rating : 0.1A 12V DC.
 Circuit : 1P3T.
 Travel : 2+2mm.
 Timing : Non specified.
 Operating force : Center → Left, Right : 300 ± 100g.
 Center ← Left, Right : 200 ± 100g.