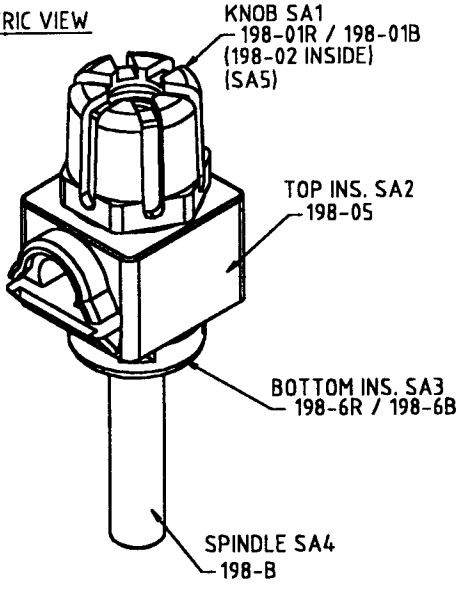


**ISOMETRIC VIEW**



ISS	AMEND	DATE
1	ISSUED	19/6/97
2	VARIANTS ADD	16/9/97
3	● GOLD NOTE	6/10/97
4	GOLD VARS DEL	24/3/98
5	WAS CL159791	8/5/98
6	EXTRA NUT ADD	25/11/99
7	WAS FC159791	17/4/01

**VARIANTS**

P/No.	DIM A OR B	COLOUR
FCR159791	A	BLK
FCR159793	A	RED
FCR159797	B	BLK
FCR159798	B	RED

ITEM	DESCRIPTION	MATL. / FIN. / COL.	QTY	PART No.
1	KNOB RED	POLYAMIDE / RED	1	198-01R
1A	KNOB BLACK	POLYAMIDE / BLK	1	198-01B
2	1/4" UNF SPINDLE	BRASS / NI PLATED	1	198-B
3	TOP INSULATOR	POLYAMIDE / BLACK	1	198-05
4	BOTTOM INSULATOR RED	POLYAMIDE / RED	1	198-6R
4A	BOTTOM INSULATOR BLK	POLYAMIDE / BLK	1	198-6B
5	1/2" UNF PLAIN WASHER	STEEL / NI PLATED	1	FCR159791SA6
6	S/S SPRING WASHER	S/S	1	FCR159791SA7
7	1/2" UNF NUT	STEEL / NI PLATED	2	FCR159791SA8

**NOTES**  
 KNOB INSERT (198-02) IS BRASS NI PLATED  
 NUTS / WASHERS SUPPLIED SEPARATE FROM TERMINALS.  
 RED VERSION HAS RED KNOB AND BOTTOM INSULATOR  
 BLACK VERSION HAS BLACK KNOB AND BOTTOM INSULATOR.

**Tolerance**  
 NO DEC. PLACE ± 1.0  
 1 DEC. PLACE ± 0.50  
 2 DEC. PLACE ± 0.10  
 DIA. HOLES ± 0.10  
 ANGLES ± 1/2°  
 UNLESS OTHERWISE STATED

1ST DRAWN : 17/2/97

WHERE USED F.R.

DIMENSIONS IN MILLIMETERS UNLESS OTHERWISE STATED. WORK TO DIMENSIONS. DO NOT SCALE DRAWING. 3rd ANGLE PROJECTION. REMOVE BURRS. IF IN DOUBT ASK.

SCALE N.T.S.

Cliff Electronic Components, Inc.  
 4876 East Second Street, Benicia, CA 94510 USA  
 Tel: (707) 746 8090 Fax: (707) 746 8092

<b>MATERIAL</b>	POLYAMIDE / BRASS / STEEL / S/S
<b>FINISH</b>	AS MOULDED / NI PLATED
<b>DRAWN</b>	C.A.M.J.
<b>APPD.</b>	RWT

<b>TITLE</b>	TP60 TERMINAL POST ASSEMBLY (RATED 60A.) (NICKEL)
<b>DRWG. No.</b>	FCR 159791
<b>FORM:</b>	A4DRWGH