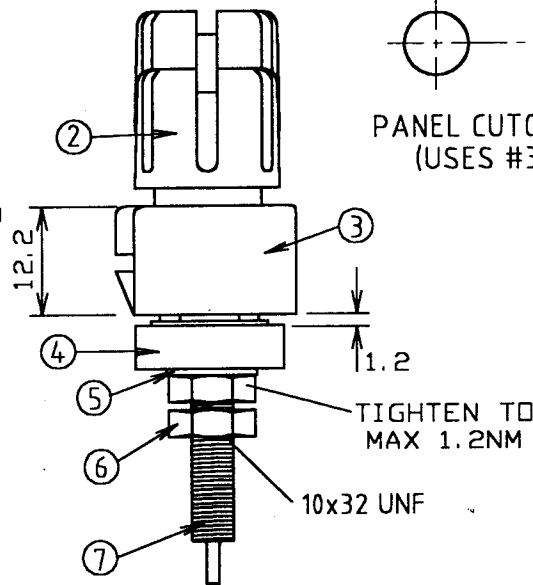
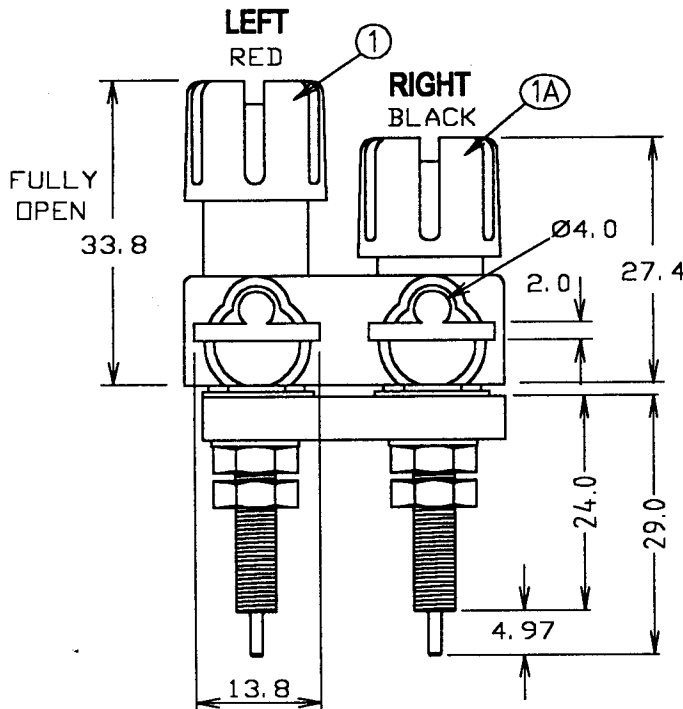
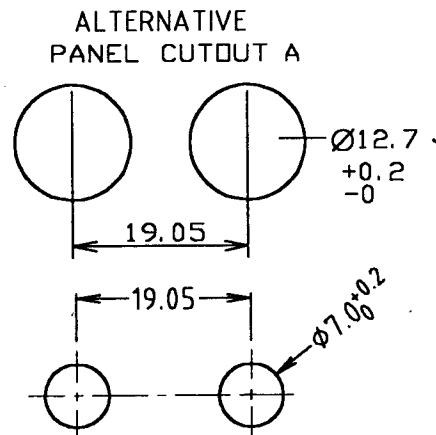
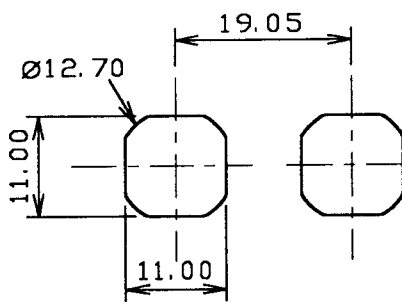
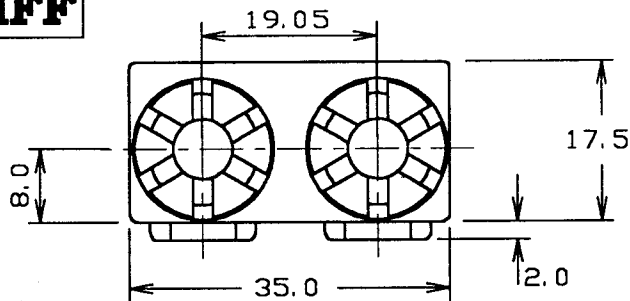


**CLIFF**

ISS	AMEND	DATE
1	1st DRAWN	15/4/98
2	NOTE 2 ADDED	18/6/98
3	ITEM 7 P/No ERR	10/9/98
4	LENGTH ERROR	26/9/00
5	X VARS ADDED	2/1/01
6	WAS FC159706P	28/2/01



PANEL CUTOUT TYPE X  
(USES #3 FCR7861)

ITEM #	DESC	QTY	P/No.
1	KNOB RED	1	FCR7846R
1A	KNOB BLACK	1	FCR7846B
2	KNOB INSERT NI	2	FCR7883SA3
(2A)	KNOB INSERT GOLD	2	FCR7883SA3G
3	TPP/5 INSULATOR	1	FCR7860
4	BOTTOM INSULATOR	1	FCR7854
5	PLAIN WASHER NI	2	FCR7880SA9
(5A)	PLAIN WASHER GOLD	2	FCR7880SA9G
6	NUT NICKEL	4	FCR7880SA7
(6A)	NUT GOLD	4	FCR7880SA7G
7	SPINDLE ASSY NI	2	FCR78835
(7A)	SPINDLE ASSY GOLD	2	FCR78835G

NOTE 1: GOLD VERSIONS USE ITEMS (2A, 5A, 6A, 7A)

NOTE 2: PARTS 4, 5, 6 SUPPLIED BAGGED SEPARATELY. PARTS 1, 1A TO BE ASSEMBLED INTO PART 3. SUPPLIED IN TRAY PACKING.

VARIANTS

MODEL REF	X TYPE	A TYPE	Ni PLATED	GOLD PLATED	TOP INS COLOUR	KNOB COLOUR		P/No.
						LEFT	RIGHT	
TPP/5CT/PCA		•	•		BLACK	RED	BLACK	FCR159706PA
TPP/5CT/PCAR		•	•		BLACK	BLACK	RED	FCR159706PB
TPP/5CT/PCAG		•		•	BLACK	RED	BLACK	FCR159706AG
TPP/5CT/PCARG		•		•	BLACK	BLACK	RED	FCR159706BG
TPP/5CT/PCXX	•		•		BLACK	RED	BLACK	FCR159706XX
TPP/5CT/PCXXR	•		•		BLACK	BLACK	RED	FCR159706XXR

**Tolerance**  
 NO DEC. PLACE ±  
 1 DEC. PLACE ± 0.25  
 2 DEC. PLACE ±  
 DIA. HOLES ±  
 ANGLES ± 1/2°  
 UNLESS OTHERWISE STATED

WHERE USED F.R.  
 SCALE N.T.S.

DIMENSIONS IN MILLIMETERS UNLESS OTHERWISE STATED. WORK TO DIMENSIONS. DO NOT SCALE DRAWING. 3rd ANGLE PROJECTION. REMOVE BURRS. IF IN DOUBT ASK.

Cliff Electronic Components, Inc.  
 4876 East Second Street, Benicia, CA 94510 USA  
 Tel: (707) 746 8090 Fax: (707) 746 8092

MATERIAL POLYAMIDE 92-V2 / P.P. / BRASS  
 FINISH AS MOULDED / NI (OR GOLD) PLATED  
 DRAWN C.A.M.J. APPD. RWT

TITLE TERMINAL ASSEMBLY TPP/5CT/PC  
 DRWG. No. FCR 159706P

FORM: A4DRWGH