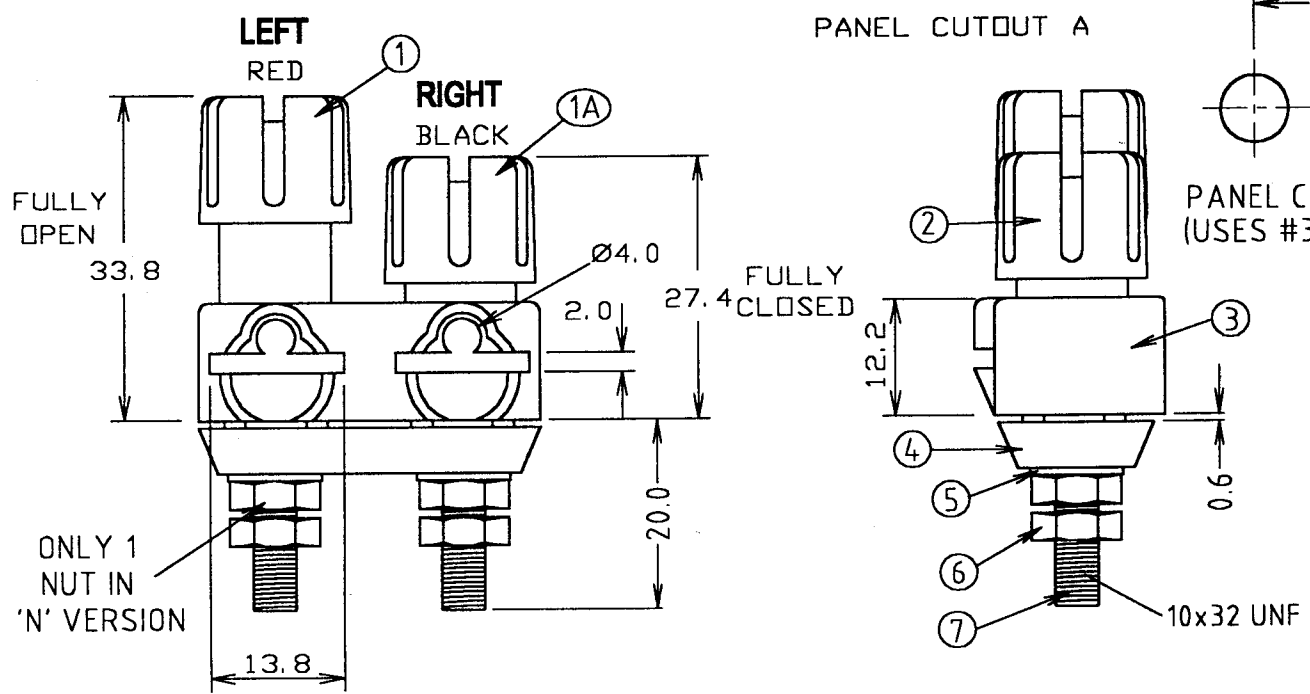
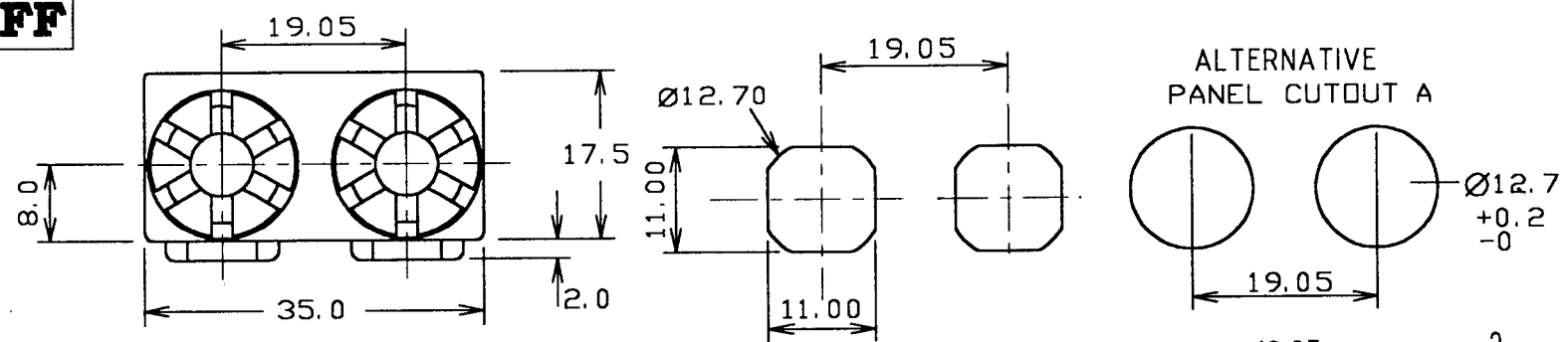


**CLIFF**

ISS	AMEND	DATE
1	1st DRAWN	15/4/98
2	NOTE 2 ADDED	18/6/98
3	'N' TYPE ADDED	19/8/98
4	N2, N6 ADDED	2/9/98
5	FC7854 / ITEM 3	7/10/98
6	N1, N5 DELETE	20/1/99
7	ITEM 4 CHNG	2/11/00
8	++ ADD, WAS FC	28/2/01



USER TIGHTEN NUTS TO MAX 1.5NM.

ITEM	DESC	QTY	P/No.
1	KNOB RED	1	FCR7846R
1A	KNOB BLACK	1	FCR7846B
2	KNOB INSERT NICKEL	1	FCR7883SA3
(2A)	KNOB INSERT GOLD	2	FCR7883SA3G
3	TPP/5 INSULATOR	1	FCR7860N
4	BOTTOM INSULATOR	1	FCR7858B
5	PLAIN WASHER Ni	2	FCR7880SA9
(5A)	PLAIN WASHER GOLD	2	FCR7880SA9G
6	NUT NICKEL	4	FCR7880SA7
	NUT NICKEL	2	N' VERSIONS
(6A)	NUT GOLD	4	FCR7880SA7G
	NUT GOLD	2	N' VERSIONS
7	SPINDLE ASSY Ni	2	FCR7883
(7A)	SPINDLE ASSY GOLD	2	FCR7883G

NOTE 1: GOLD VERSIONS USE ITEMS (2A, 5A, 6A, 7A)  
 NOTE 2: PARTS 4, 5, 6 SUPPLIED BAGGED SEPARATELY. PARTS 1, 1A TO BE ASSEMBLED INTO PART 3. SUPPLIED IN TRAY PACKING.  
 NOTE 3: ★ MODELS WITH 'N' IN P/No. SUPPLIED WITH 1 NUT ONLY.

VARIANTS

MODEL REF	X TYPE	A TYPE	Ni PLATED	GOLD PLATED	TOP INS COLOUR	KNOB COLOUR		P/No.	
						LEFT	RIGHT		
TPP/5CT		●	●		BLACK	RED	BLACK	FCR159706X1	++
TPP/5CT/NG		●		●	BLACK	RED	BLACK	FCR159706N2	★
TPP/5CT/R		●	●		BLACK	BLACK	RED	FCR159706X5	++
TPP/5CT/RNG		●		●	BLACK	BLACK	RED	FCR159706N6	★
TPP/5CT/G		●		●	BLACK	RED	BLACK	FCR159706X2	
TPP/5CT/RG		●		●	BLACK	BLACK	RED	FCR159706X6	

++ TO BE SUPPLIED WITH KNOB FULLY UNSCREWED.

**Tolerance**  
 NO DEC. PLACE ±  
 1 DEC. PLACE ± 0.25  
 2 DEC. PLACE ±  
 DIA. HOLES ±  
 ANGLES ± 1/2°  
 UNLESS OTHERWISE STATED

WHERE USED F.R.  
 SCALE N.T.S.

DIMENSIONS IN MILLIMETERS UNLESS OTHERWISE STATED. WORK TO DIMENSIONS. DO NOT SCALE DRAWING. 3rd ANGLE PROJECTION. REMOVE BURRS. IF IN DOUBT ASK.