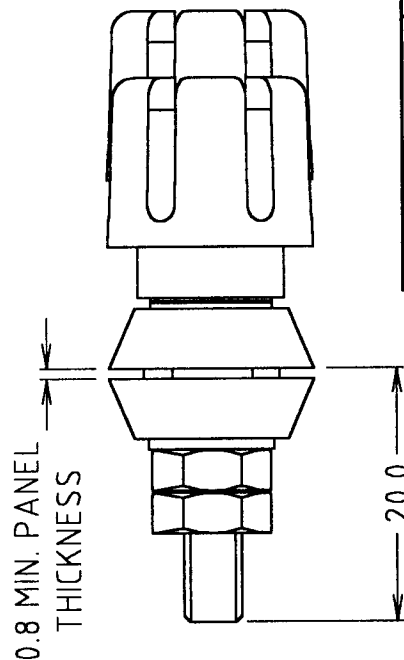
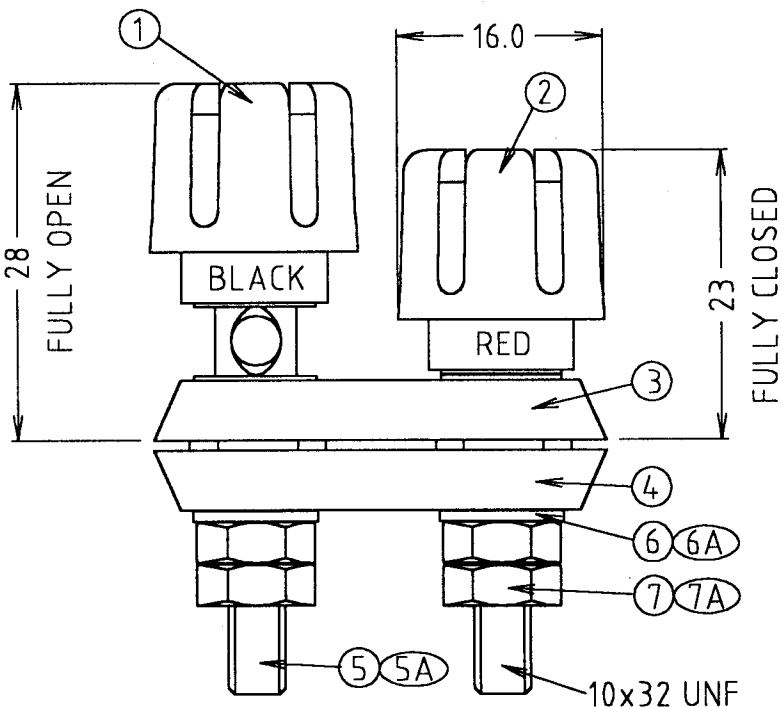
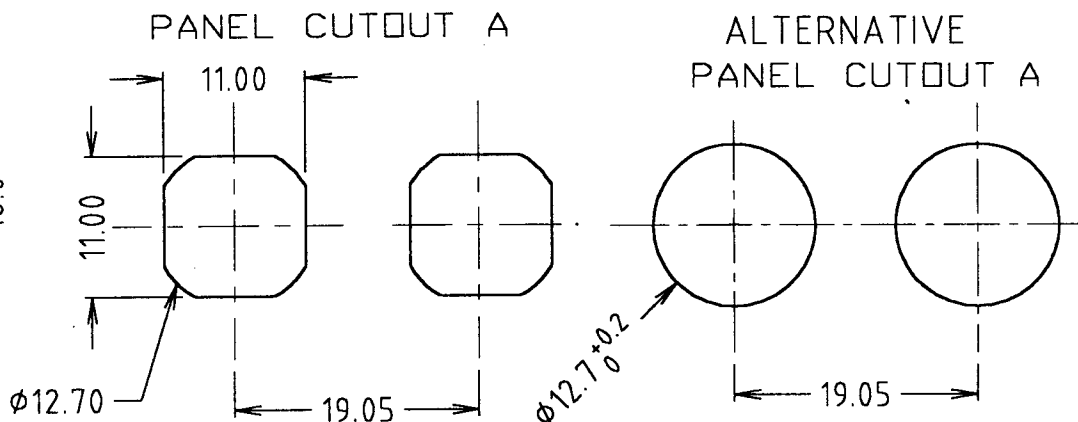
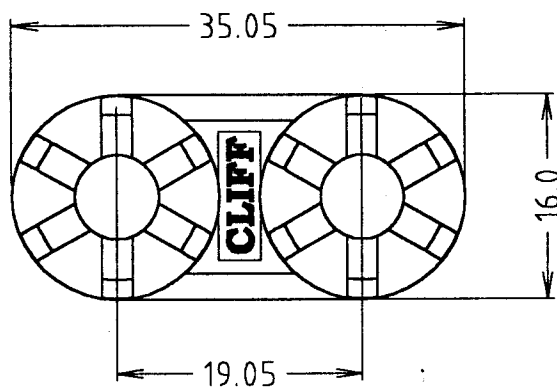


CLIFF

ISS	AMEND	DATE
1	ISSUED	17/12/99
2	ITEM 2 ERROR	1/2/00
3	WAS FC159701	27/4/01



ITEM	DESCRIPTION	QTY	P/No.	USED ON	
				FCR 159701	FCR 159702
1	KNOB BLACK	1	FCR 7845B	•	•
2	KNOB RED	1	FCR 7845R	•	•
3	TOP INSULATOR	1	FCR 7858	•	•
4	BOTTOM INSULATOR	1	FCR 7858B	•	•
5	SPINDLE ASSY Ni	2	FCR 7883	•	•
5A	SPINDLE ASSY GOLD	2	FCR 7883G	•	•
6	PLAIN WASHER Ni	2	FCR 7880SA9	•	•
6A	PLAIN WASHER GOLD	2	FCR 7880SA9G	•	•
7	10x32 UNF NUT Ni	4	FCR 7880SA7	•	•
7A	10x32 UNF NUT GOLD	4	FCR 7880SA7G	•	•

VARIANTS	
P/No.	MODEL
FCR 159701	TPP/3C
FCR 159702	TPP/3C GOLD

Tolerance
 NO DEC. PLACE ± 0.50
 1 DEC. PLACE ± 0.20
 2 DEC. PLACE ± 0.10
 DIA. HOLES ± 0.10
 ANGLES ± 1/2°
 UNLESS OTHERWISE STATED

1ST DRAWN : 24/11/99

WHERE USED F.R.
 SCALE N.T.S.

DIMENSIONS IN MILLIMETERS UNLESS OTHERWISE STATED. WORK TO DIMENSIONS. DO NOT SCALE DRAWING. 3rd ANGLE PROJECTION. REMOVE BURRS. IF IN DOUBT ASK.

Cliff Electronic Components, Inc.
 4876 East Second Street, Benicia, CA 94510 USA
 Tel: (707) 746 8090 Fax: (707) 746 8092

MATERIAL NYLON 6 / BRASS / STEEL
 FINISH AS MOULDED / NI OR GOLD PLATED
 DRAWN C.A.M.J. APPD. RWT

TITLE TERMINAL ASSEMBLY TPP/3C

DRWG. No. **FCR 159701**

FORM: A4DRWGH