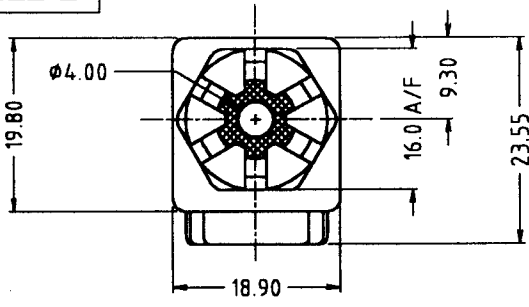
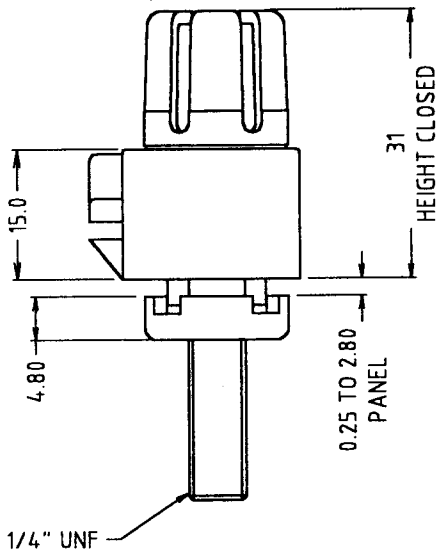
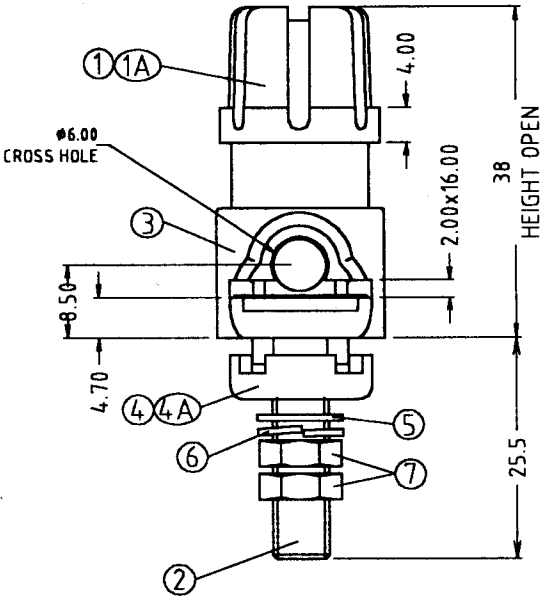
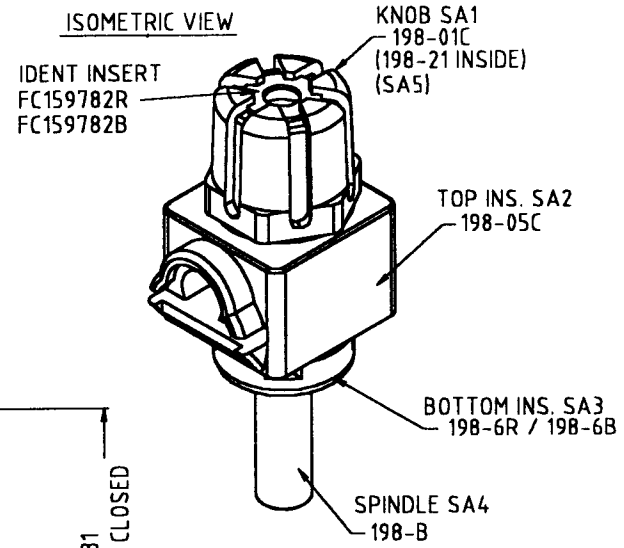


ISS	AMEND	DATE
1	1st DRAWN	9/8/99
2	INSERT P/No ERR	25/8/99
3	GLUE NOTE	11/10/99
4	SA8G WAS GS	9/12/99



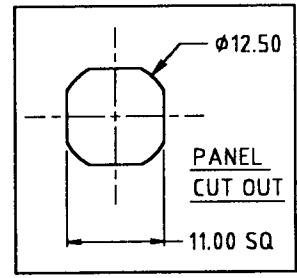
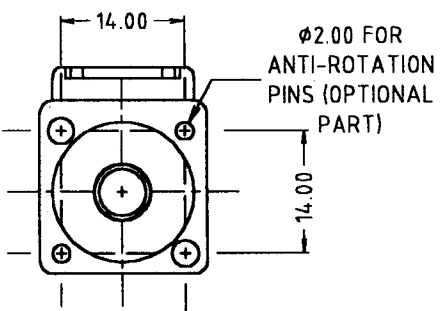
**ISOMETRIC VIEW**



**VARIANTS**

P/No.	COLOUR
FC159801	RED
FC159802	BLACK

ITEM	DESCRIPTION	MATL. / FIN. / COL.	QTY	PART No.
1	KNOB CLEAR / RED INSERT	K Resin-Clear, Polyamide-Red	1	198-01CR
1A	KNOB CLEAR / BLK INSERT	K Resin-Clear, Polyamide-Blk	1	198-01CB
2	1/2" UNF SPINDLE	BRASS / GOLD FLASH	1	198-B*
3	TOP INSULATOR	K RESIN / CLEAR	1	198-05C
4	BOTTOM INSULATOR RED	POLYAMIDE / RED	1	198-6R
4A	BOTTOM INSULATOR BLK	POLYAMIDE / BLACK	1	198-6B
5	1/2" UNF PLAIN WASHER	BRASS / GOLD FLASH	1	FC159791SA6GS*
6	S/S SPRING WASHER	S/S	1	FC159791SA7
7	1/2" UNF NUT	BRASS / GOLD FLASH (NO Ni)	2	FC159791SA8G*



NOTES  
KNOB INSERT (198-21) IS BRASS GOLD PLATED.

\* REFER TO VARIANTS TABLE.

NUTS / WASHERS SUPPLIED SEPARATE FROM TERMINALS.

'RED' VERSION HAS RED INSERT IN KNOB AND BOTTOM INSULATOR RED. 'BLACK' VERSION HAS BLACK INSERT IN KNOB AND BOTTOM INSULATOR BLACK.  
INSERTS ARE GLUED IN USING CYANOACRYLATE GLUE.

**Tolerance**  
NO DEC. PLACE ± 1.0  
1 DEC. PLACE ± 0.50  
2 DEC. PLACE ± 0.10  
DIA. HOLES ± 0.10  
ANGLES ± 1/2°  
UNLESS OTHERWISE STATED

WHERE USED F.R.  
SCALE N.T.S.

DIMENSIONS IN MILLIMETERS UNLESS OTHERWISE STATED. WORK TO DIMENSIONS. DO NOT SCALE DRAWING. 3rd ANGLE PROJECTION. REMOVE BURRS. IF IN DOUBT ASK.

Cliff Electronic Components, Inc. 4876 East Second Street, Benicia, CA 94510 USA Tel: (707) 746 8090 Fax: (707) 746 8092	<b>MATERIAL</b> K RESIN / POLYAMIDE / BRASS		<b>TITLE</b> TERMINAL ASSEMBLY TP/60C/SG (CLEAR / BLK-RED)	
	<b>FINISH</b> AS MOULDED / GOLD FLASH		<b>DRWG. No.</b> FC 159801	
	<b>DRAWN</b> C.A.M.J.	<b>APPD.</b> RWT	<b>FORM:</b> A4DRWGH	