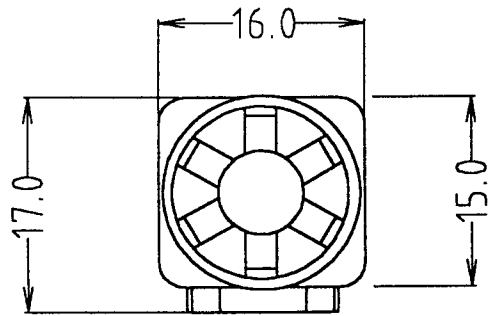
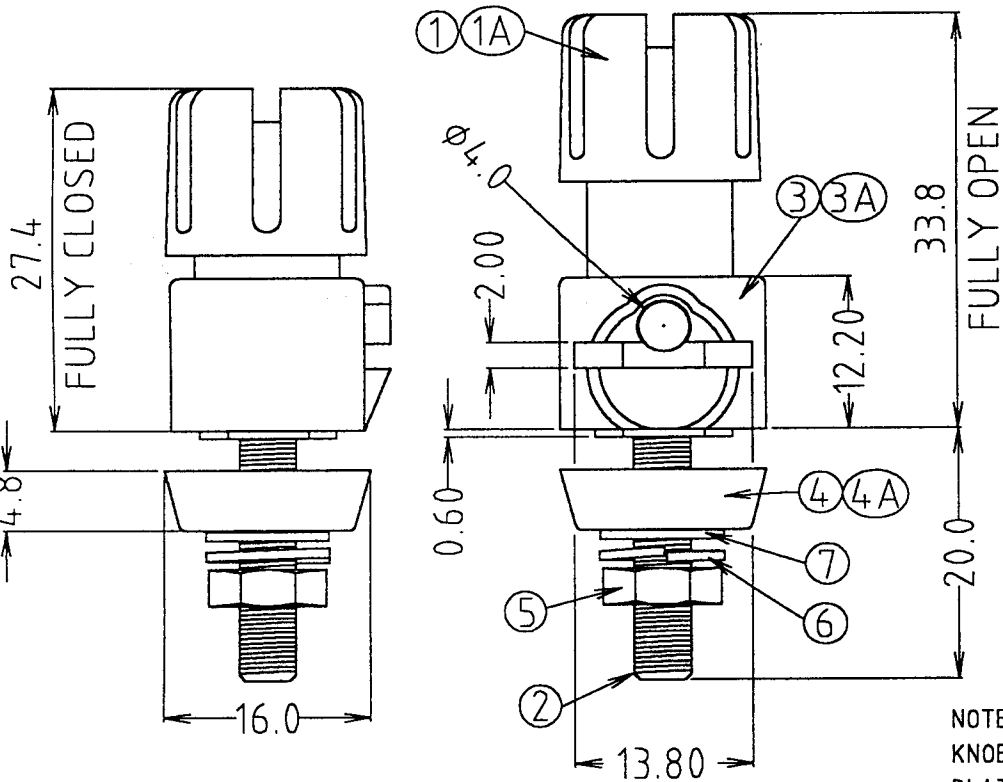
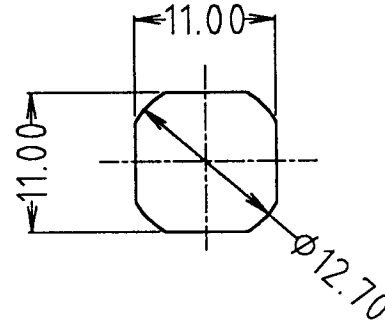


ISS	AMEND	DATE
1	1st DRAWN	29/4/98
2	P/No. ERRORS	28/8/98
3	ITEM 3A ADDED	10/2/99
4	5.7 LABEL ERR	17/3/99



PANEL MOUNTING
DETAIL



ITEM	DESCRIPTION	MATL. / FINISH / COL.	QTY	PART No.	USED	USED
					FC15942	FC15941
1	KNOB RED	NYLON / RED	1	FC 7846R	●	
1A	KNOB BLACK	NYLON / BLACK	1	FC 7846B		●
2	10x32 UNF SPINDLE ASSY	BRASS / Ni PLATED	1	FC 7883	●	●
3	TOP INSULATOR	NYLON / BLACK	1	FC 7885B		●
3A	TOP INSULATOR	NYLON / RED	1	FC 7885R	●	
4	BOTTOM INSULATOR	NYLON / BLACK	1	FC 7880SA3		●
4A	BOTTOM INSULATOR	NYLON / RED	1	FC 7880SA4	●	
5	10x32 UNF NUT	STEEL / Ni PLATED	1	FC 7880SA7	●	●
6	S/S SPRING WASHER	S/S	1	FC 7880SA8	●	●
7	PLAIN WASHER	STEEL / Ni PLATED	1	FC 7880SA9	●	●
8	OPTIONAL NYLOC NUT 10x32 UNF	STEEL / Ni PLATED	1	FC 7880SA10	★	★

NOTES
 KNOB INSERT IS BRASS / NICKEL PLATED
 NUTS / WASHER SUPPLIED SEPARATE FROM TERMINALS
 ★ NYLOC NUT IS ONLY USED ON PCB TERMINALS.

VARIANTS

P/No.	DESCRIPTION
FC 15941	TP/44 BLACK
FC 15942	TP/44 RED

Tolerance
 NO DEC. PLACE ± 1.00
 1 DEC. PLACE ± 0.50
 2 DEC. PLACE ± 0.10
 DIA. HOLES ± 0.10
 ANGLES ± 1/2°
 UNLESS OTHERWISE STATED

NB. MINIMUM PANEL THICKNESS 0.8mm

WHERE USED F.R.
 SCALE N.T.S.

DIMENSIONS IN MILLIMETERS UNLESS OTHERWISE STATED. WORK TO DIMENSIONS. DO NOT SCALE DRAWING. 3rd ANGLE PROJECTION. REMOVE BURRS. IF IN DOUBT ASK.

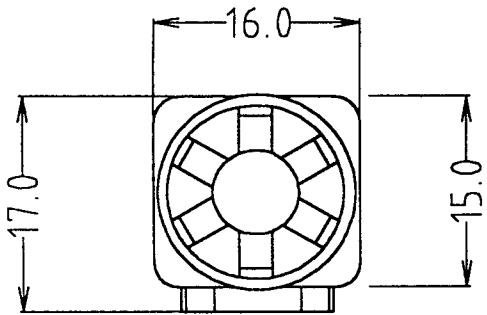
Cliff Electronic Components, Inc.
 4876 East Second Street, Benicia, CA 94510 USA
 Tel: (707) 746 8090 Fax: (707) 746 8092

MATERIAL COMPOSITE	
FINISH CLEAN (NICKEL PLATED METAL PARTS)	
DRAWN C.A.M.J.	APPD. RWT

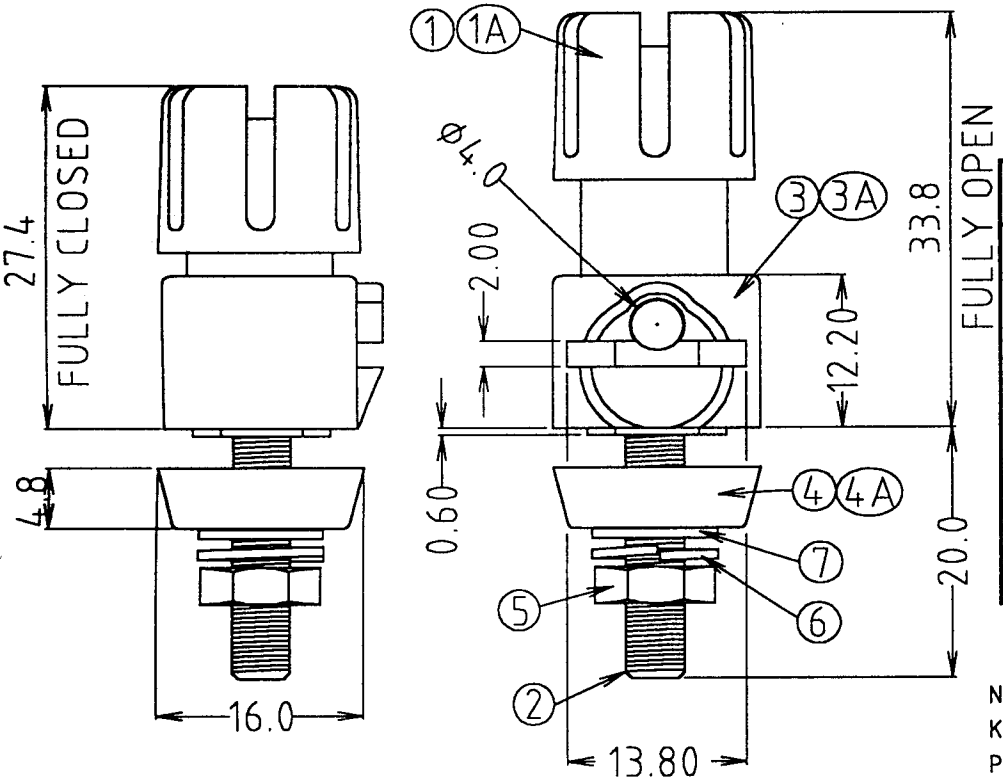
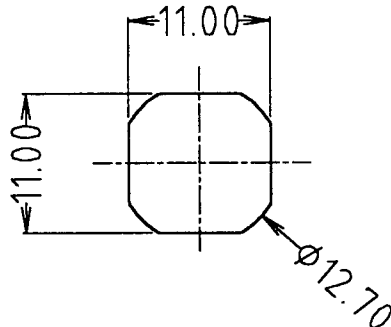
TITLE TP/44 TERMINAL ASSEMBLY (NICKEL)
 DRWG. No. **FC 15941**

FORM: A4DRWGH

ISS	AMEND	DATE
1	1st DRAWN	29/4/98
2	P/No. ERRORS	20/8/98
3	ITEM 3A ADDED	10/2/99
4	5,7 LABEL ERR	17/3/99



**PANEL MOUNTING
DETAIL**



ITEM	DESCRIPTION	MATL. / FINISH / COL.	QTY	PART No.	USED	USED
					FC15942G	FC15941G
1	KNOB RED	NYLON / RED	1	FC 7846R	●	
1A	KNOB BLACK	NYLON / BLACK	1	FC 7846B		●
2	10x32 UNF SPINDLE ASSY	BRASS / Ag PLATED	1	FC 7883G	●	●
3	TOP INSULATOR	NYLON / BLACK	1	FC 7885B		●
3A	TOP INSULATOR	NYLON / RED	1	FC 7885R	●	
4	BOTTOM INSULATOR	NYLON / BLACK	1	FC 7880SA3		●
4A	BOTTOM INSULATOR	NYLON / RED	1	FC 7880SA4	●	
5	10x32 UNF NUT	STEEL / Ag PLATED	1	FC 7880SA7G	●	●
6	S/S SPRING WASHER	S/S	1	FC 7880SA8	●	●
7	PLAIN WASHER	STEEL / Ag PLATED	1	FC 7880SA9G	●	●
8	OPTIONAL NYLOC NUT 10x32 UNF	STEEL / Ni PLATED	1	FC 7880SA10	★	★

NOTES
 KNOB INSERT IS BRASS / GOLD PLATED.
 NUTS / WASHERS SUPPLIED SEPARATE FROM TERMINALS.
 ★ NYLOC NUT IS ONLY USED ON PCB TERMINALS.

VARIANTS

P/No.	DESCRIPTION
FC 15941G	TP/44 BLACK GOLD
FC 15942G	TP/44 RED GOLD

Tolerance
 NO DEC. PLACE ± 1.00
 1 DEC. PLACE ± 0.50
 2 DEC. PLACE ± 0.10
 DIA. HOLES ± 0.10
 ANGLES ± 1/2°
 UNLESS OTHERWISE STATED

NB. MINIMUM PANEL THICKNESS 0.8mm

WHERE USED F.R.
 SCALE N.T.S.

DIMENSIONS IN MILLIMETERS UNLESS OTHERWISE STATED. WORK TO DIMENSIONS. DO NOT SCALE DRAWING. 3rd ANGLE PROJECTION. REMOVE BURRS. IF IN DOUBT ASK.

Cliff Electronic Components, Inc.
 4876 East Second Street, Benicia, CA 94510 USA
 Tel: (707) 746 8090 Fax: (707) 746 8092

MATERIAL COMPOSITE	
FINISH	CLEAN (GOLD PLATED METAL PARTS)
DRAWN	C.A.M.J.
APPD.	RWT

TITLE	TP/44 TERMINAL ASSEMBLY (GOLD)
DRWG. No.	FC 15941G
FORM:	A4DRWGH