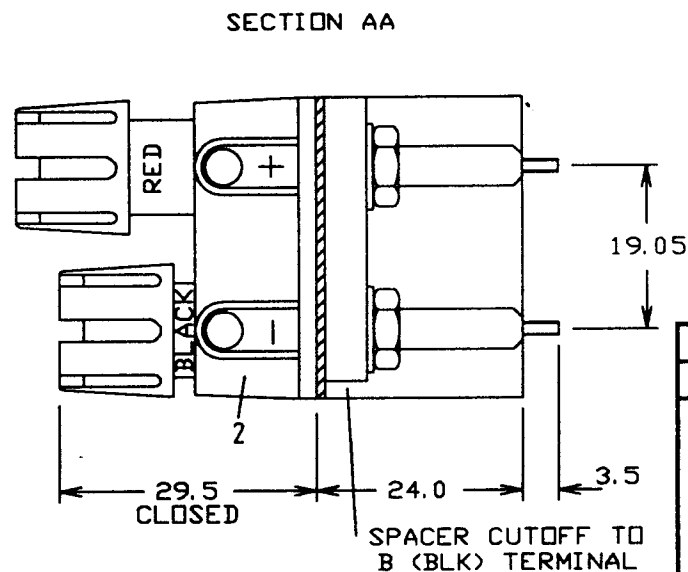
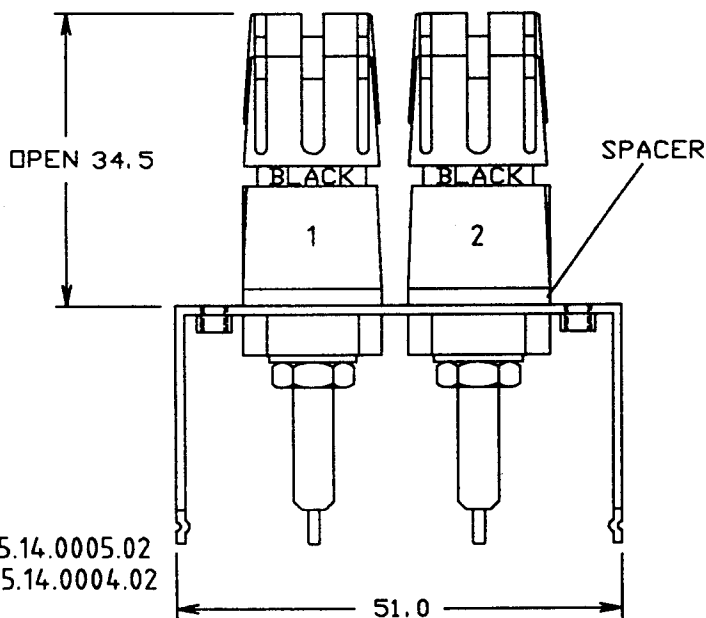
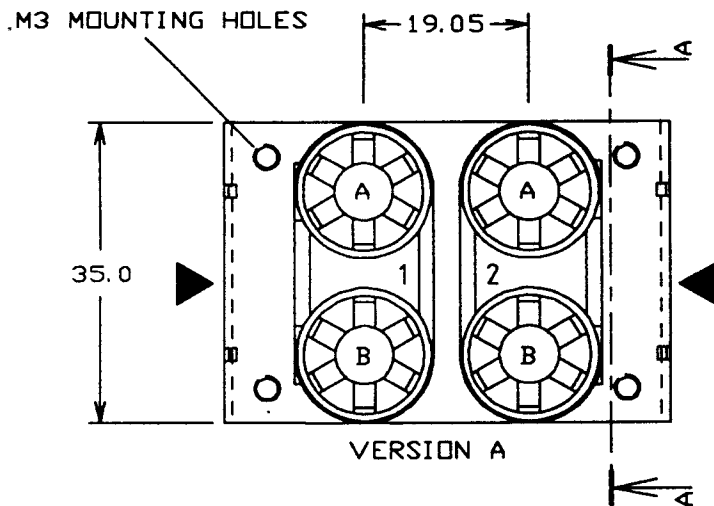
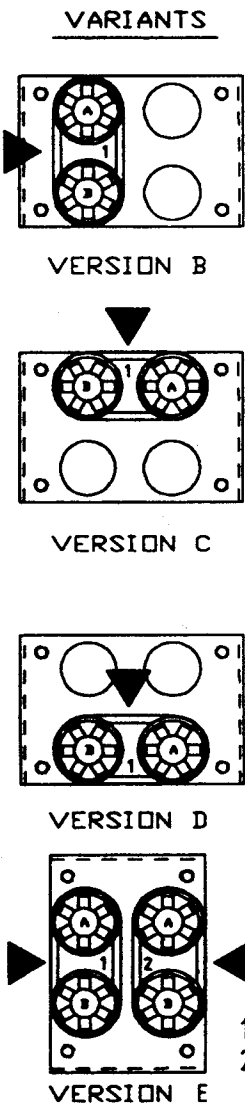
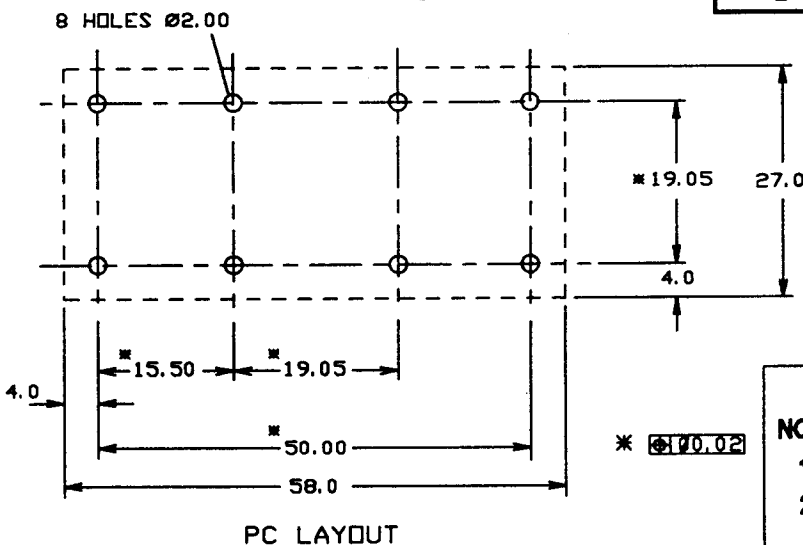


ISS.	AMEND	DATE
1	1st DRAWN	15/7/94
2	REDRAWN	18/8/94
3	P/No PCB ADD	16/5/95
4	RED CHNG TO TOP	16/8/95
5	Y NOTE ADDED	28/9/95
6	SPACER NOTE	22/4/97
7	E VERSION ADD	24/4/97
8	1 & 2 ADDED	7/5/97



TPP4/PCY VARIANTS

VERSION	P/No.
A	CL159704YA
B	CL159704YB
C	CL159704YC
D	CL159704YD
E	CL159704YE



Tolerance

NO DEC. PLACE ±

1 DEC. PLACE ± 0.2

2 DEC. PLACE ± 0.06

DIA. HOLES ± 0.10

ANGLES ± 1/2°

UNLESS OTHERWISE STATED

WHERE USED F.R.

SCALE N.T.S.

NOTE
MODELS WITH SUFFIX 'Y'
E.G. TPP4/PCY HAVE
BLOCKED TOP HOLE.

RATED 30A. PER TERMINAL

SEE DRWG 159T-11 FOR PANEL CUTOUT DETAILS. A = RED B = BLACK

▶ = ACCESS DIRECTION

1 = 05.14.0005.02
2 = 05.14.0004.02

DIMENSIONS IN MILLIMETERS UNLESS OTHERWISE STATED. WORK TO DIMENSIONS. DO NOT SCALE DRAWING. 3rd ANGLE PROJECTION. REMOVE BURRS. IF IN DOUBT ASK.

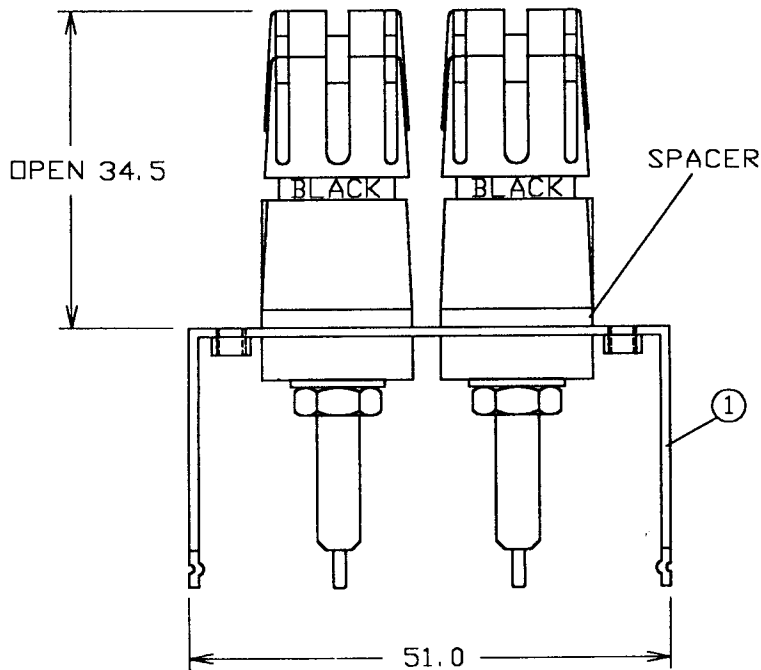
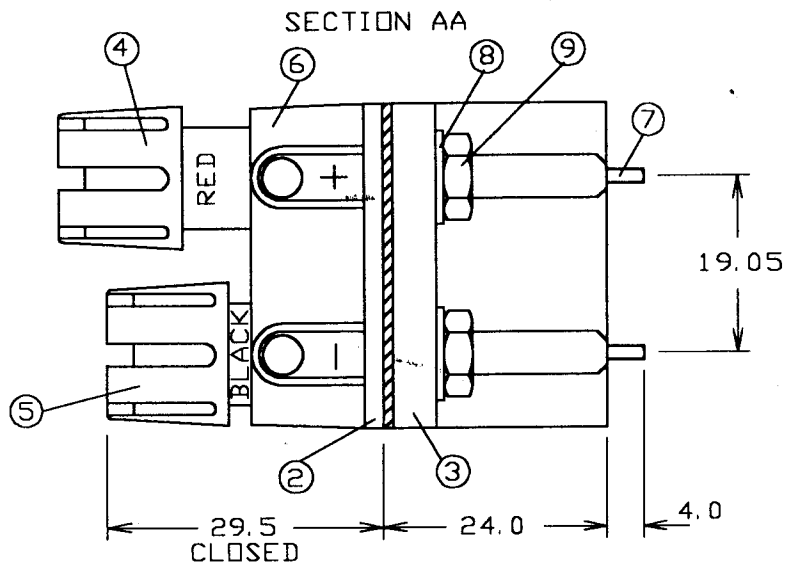
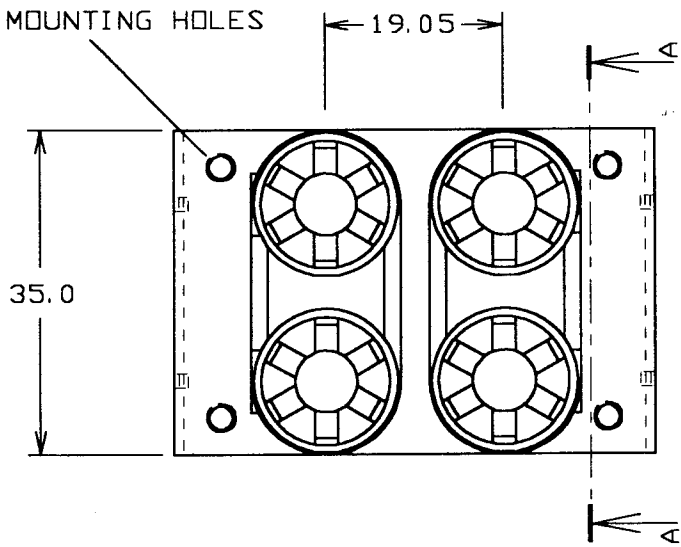
Cliff Electronic Components, Inc.
4876 East Second Street, Benicia, CA 94510 USA
Tel: (707) 746 8090 Fax: (707) 746 8092

MATERIAL COMPOSITE	
FINISH CLEAN. PC SPILLS TIN PLATED	
DRAWN C.A.M.J.	APPD. RWT

TITLE	TERMINAL ASSY TPP4 / PCY / VERSIONS
DRWG. No.	CL 159704Y
FORM:	A4DRWGH

CLIFF

M3 MOUNTING HOLES



NUTS TO BE TORQUED TO 1NM AND SEALED WITH LOCTITE

ISS	AMEND	DATE
1	1st DRAWN	15/7/94
2	REDRAWN	18/8/94
3	GA ADDED	16/8/95
4	P/Nos ADDED	28/9/95
5	ITEM 6 REV ADD	17/6/97
6	FC P/No CHNG	26/6/01

ITEM	P/No.	No.
1	FCR 7851	1
2	FCR 7852 (05.14.0010.02)	2
3	FCR 7854 (05.14.0011.02)	2
4	05.07.0004.07	2
5	05.07.0004.02	2
6	05.14.0005.02 STD 05.14.0004.02 REV	1 1
7	0507.0003.82	4
8	05.11.0002.53	4
9	05.12.0002.53	4

Tolerance
 NO DEC. PLACE ±
 1 DEC. PLACE ± 0.2
 2 DEC. PLACE ± 0.05
 DIA. HOLES ± 0.10
 ANGLES ± 1/2°
 UNLESS
 OTHERWISE STATED

WHERE USED F.R.
 SCALE N.T.S.

DIMENSIONS IN MILLIMETERS UNLESS OTHERWISE STATED. WORK TO DIMENSIONS. DO NOT SCALE DRAWING. 3rd ANGLE PROJECTION. REMOVE BURRS. IF IN DOUBT ASK.

Cliff Electronic Components, Inc.
 4876 East Second Street, Benicia, CA 94510 USA
 Tel: (707) 746 8090 Fax: (707) 746 8092

MATERIAL PARTS AS LISTED

FINISH CLEAN

DRAWN C.A.M.J.

APPD. RWT

TITLE TPP4 / PC / VERT GENERAL ASSY

DRWG. No. CL 159704Y-GA

FORM: A4DRWGH