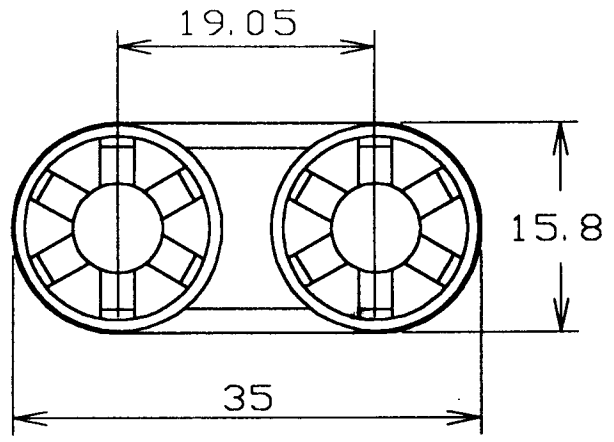
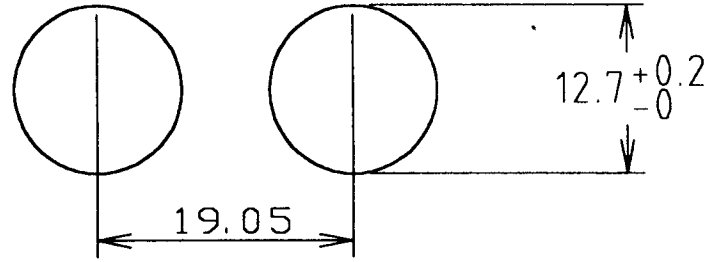


| ISS | AMEND | DATE |
|-----|---------------|---------|
| 1 | 1st DRAWN | 15/4/98 |
| 2 | SPILL REMOVE | 15/9/99 |
| 3 | CL159701S ADD | 28/9/99 |

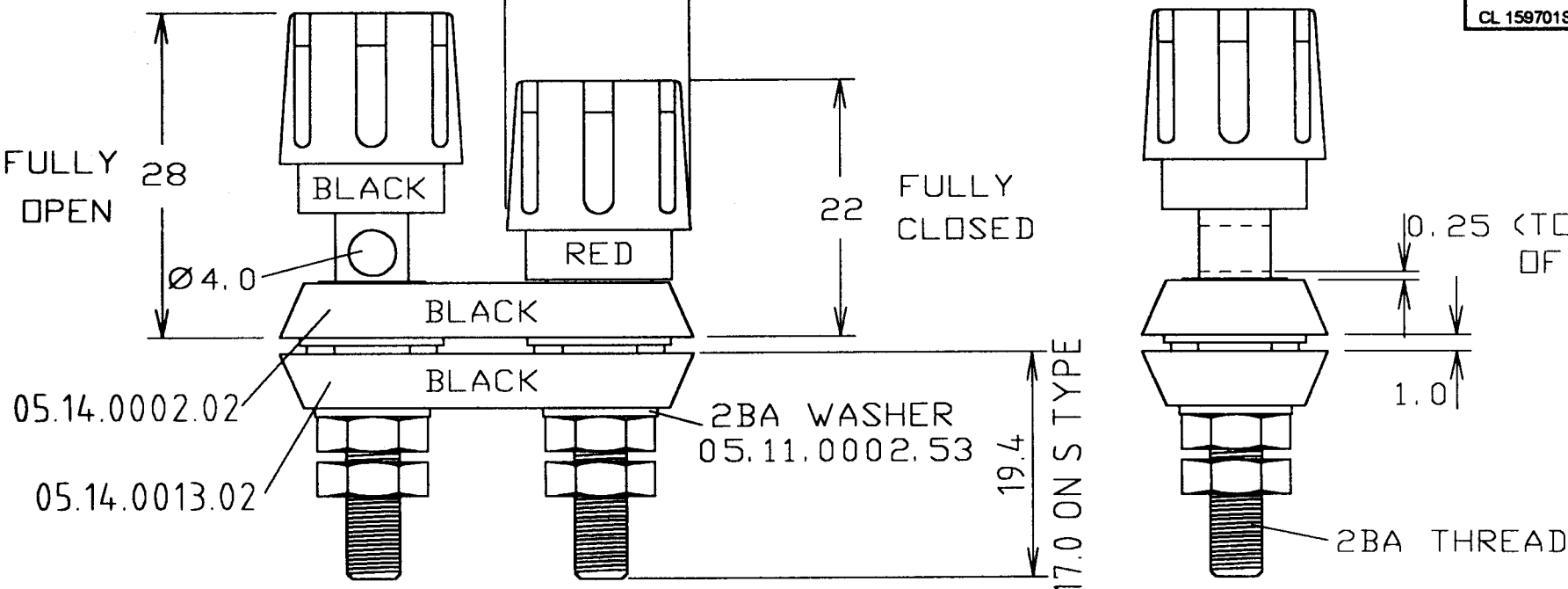


PANEL CUTOUT



VARIANTS

| P/No. | MODEL | STUD |
|------------|---------|------|
| CL 159701 | TPP/3MS | MS |
| CL 159701S | TPP/3S | S |



S TYPE HAS SOLDER SPILL ON END OF SPINDLE.

N.B. NUTS / WASHERS / REAR INSULATOR BAGGED - SUPPLIED SEPARATELY.

Tolerance

NO DEC. PLACE ± 1
 1 DEC. PLACE ± 0.25
 2 DEC. PLACE ±
 DIA. HOLES ±
 ANGLES ± 1/2°
 UNLESS OTHERWISE STATED

WHERE USED F.R.
 SCALE N.T.S.

DIMENSIONS IN MILLIMETERS UNLESS OTHERWISE STATED. WORK TO DIMENSIONS. DO NOT SCALE DRAWING. 3rd ANGLE PROJECTION. REMOVE BURRS. IF IN DOUBT ASK.

Cliff Electronic Components, Inc.
 4876 East Second Street, Benicia, CA 94510 USA
 Tel: (707) 746 8090 Fax: (707) 746 8092

| | |
|--|-----------|
| MATERIAL BRASS / POLYPROPYLENE / NYLON | |
| FINISH NI PLATED / AS MOULDED | |
| DRAWN C.A.M.J. | APPD. RWT |

TITLE TERMINAL ASSEMBLY TPP/3MS
 DRWG. No. CL 159701

FORM: A4DRWGH