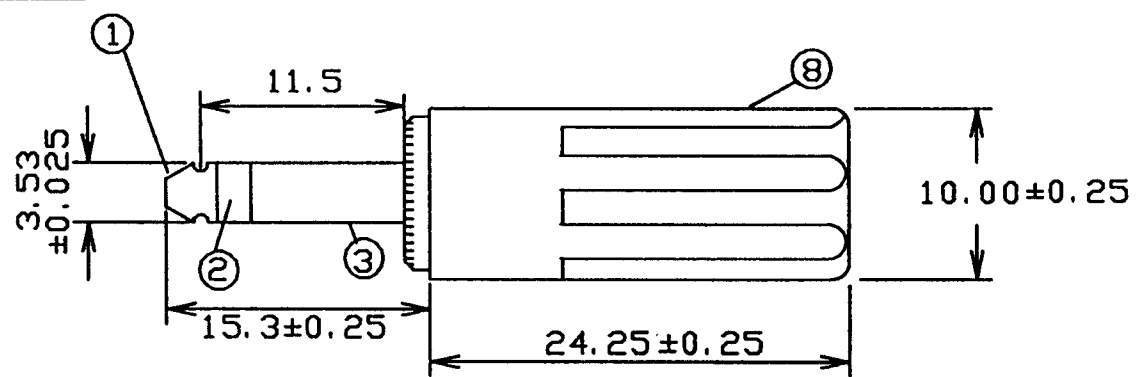


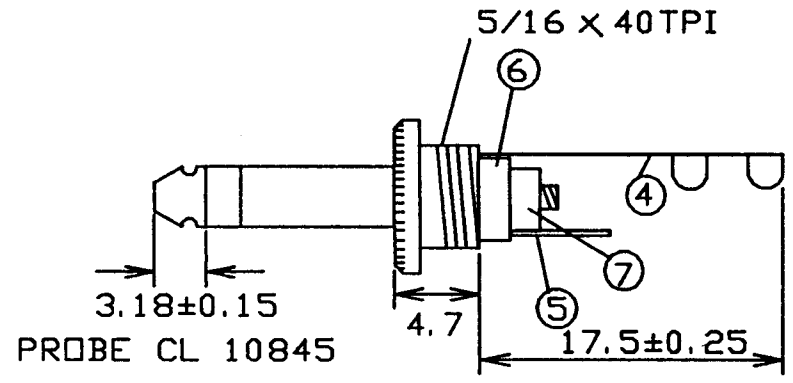
CLIFF

No.	AMEND	DATE
1.	REDRAWN	18/12/89
2.	REDRAWN	15/11/90



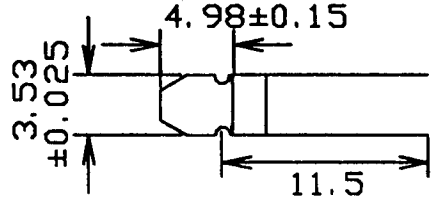
STANDARD VERSION P5/P P6

P/No.	PART NAME	QTY	MATERIAL	FINISH
1	TIP	1	BRASS	Ni 2μ
2	INSULATOR	1	PHENOLIC	A.M.
3	PLUG BODY	1	BRASS	Ni 2μ
4	EARTH CONTACT (CABLE CLAMP)	1	MS	SnPb
5	SOLDER TAG	1	NiAg	NATURAL
6	INSULATOR	1	PHENOLIC	A.M.
7	NUT	1	BRASS	NATURAL
8	COVER	1	ABS	COLOURS



PROBE CL 10845

ALTERNATIVE TIP. 'CONTINENTAL' VERSION



COLOUR	P/No. COLOUR VARIANTS			
	P5/P		P6	
	STD	CONT	STD	CONT
BLACK	-	-	CL 1066	CL 1068
RED	-	-	CL 1070	CL 1072
BLUE	-	-	CL 1074	CL 1075
GREEN	-	-	CL 1076	-
BROWN	-	-	CL 1077	-
WHITE	-	-	CL 1078	CL 10785
CREAM	-	-	CL 1079	-
GREY	-	-	CL 1080	CL 1082
YELLOW	-	-	CL 1084	-
SILVER	CL 1062	CL 1064	-	-

TOLERANCE
NO DEC. PLACE ±
1 DEC PLACE ± 0.1
2 DEC PLACE ± 0.05
DIA OF HOLE ±
ANGLES ±
UNLESS OTHERWISE STATED

WHERE USED F.R.

SCALE N.T.S.

DIMENSIONS IN MILLIMETRES UNLESS OTHERWISE STATED. WORK TO DIMENSIONS. DO NOT SCALE DRAWING. 1st. ANGLE PROJECTION. REMOVE BURRS.

Cliff Electronic Components, Inc. 4876 East Second Street, Benicia, CA 94510 USA Tel: (707) 746 8090 Fax: (707) 746 8092	MATERIAL	AS TABLE	TITLE	3.5mm JACK PLUG. P5/P, P6						
	FINISH	AS TABLE		DRG. No.	CL 1066					
	DRAWN	C.A.M.T.			APPD	R.W.T.	A	4	D	R