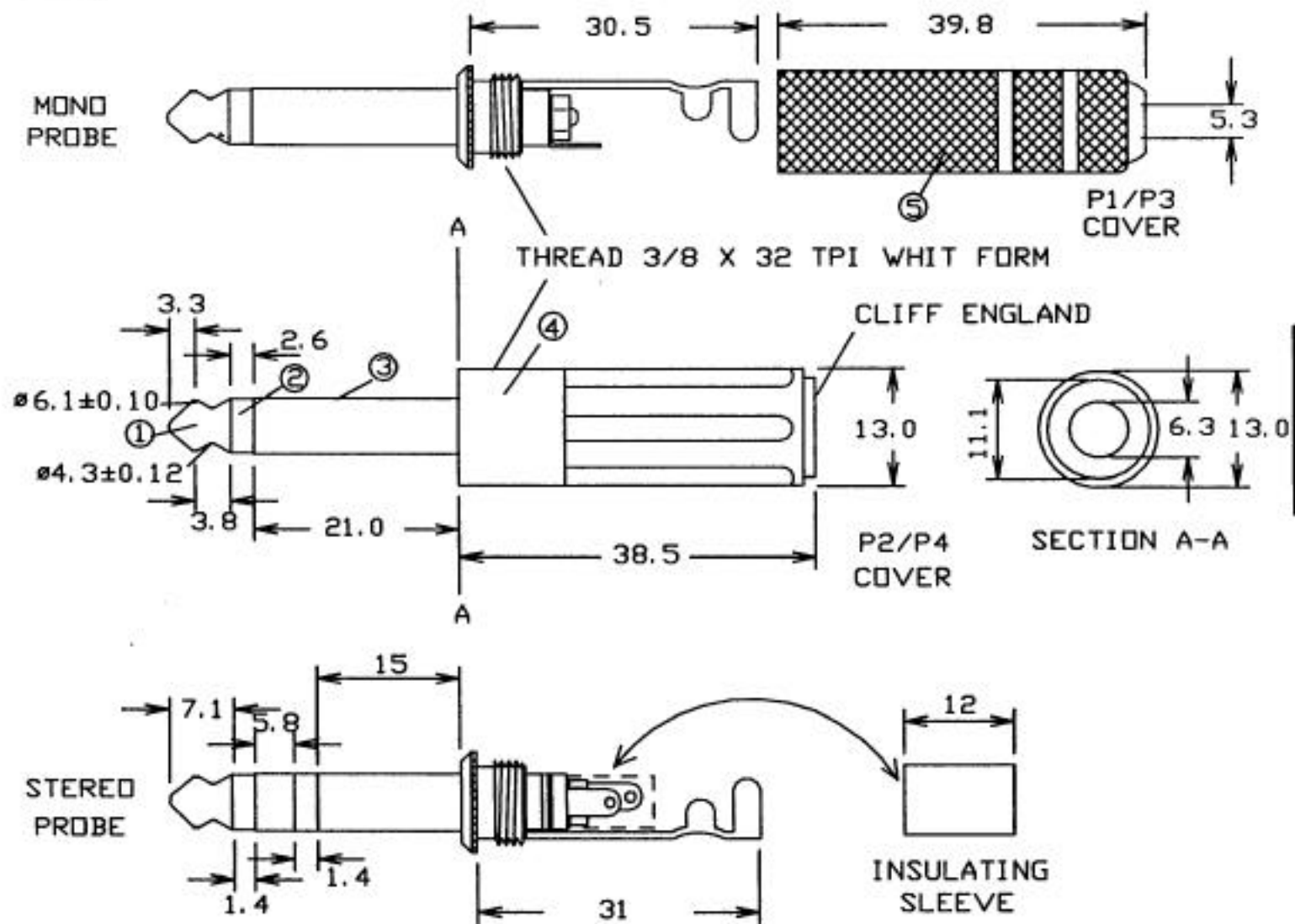


**CLIFF**

No.	AMEND	DATE
1.	REDRAWN	22/3/90
2.	UNF WAS UNEF	27/1/92
3.	THREAD CHNG	27/9/93



No.	ITEM	MATERIAL	FINISH	QTY
1	DET 1	BRASS	Ni PLATE 5m	1
2	DET 2	Bak.X17163	A / M	1
3	DET 3	BRASS	Ni PLATE 5m	1
4	DET 12	ABS M1088	A / M	1
5		BRASS	Ni PLATE	1

TOLERANCE	
NO DEC. PLACE	±
1 DEC PLACE	± 0.2
2 DEC PLACE	±
DIA OF HOLE	±
ANGLES	±
UNLESS OTHERWISE STATED	
WHERE USED	F.R.
SCALE	N.T.S.

NOTE : STEREO VERSIONS P3 / P4 HAVE SAME OVERALL DIMENSIONS

DIMENSIONS IN MILLIMETRES UNLESS OTHERWISE STATED. WORK TO DIMENSIONS. DO NOT SCALE DRAWING. 1st ANGLE PROJECTION. REMOVE BURRS.

Cliff Electronic Components, Inc.	MATERIAL	ABS / BRASS / STEEL / PHENOLIC	TITLE	1/4" MONO STEREO JACK PLUG. P1/P2/P3/P4						
	FINISH	AS MOULDED / Ni / Sn / Pb		DRG. No.	CL 1002/58					
	DRAWN	C.A.M.T.			APPD	R.W.T.	A	4	D	R

dim in mm